



TECHNICAL GUIDE

LX SERIES SPLIT SYSTEM HEAT Pumps

**14 SEER – R-410A – 1 PHASE
1.5 THRU 5 NOMINAL TONS
MODELS: YHE18 THRU 60**

FOR INSTALLATION IN ALL US REGIONS AND CANADA



ISO 9001
Certified Quality
Management System



Due to continuous product improvement, specifications are subject to change without notice.

Visit us on the web at

www.simplygettingthejobdone.com and
www.york.com

Additional rating information can be found at
www.ahridirectory.org

WARRANTY SUMMARY*

Extended 10-Years limited parts warranty.

Standard 10-year limited compressor warranty.

Extended 10-Years limited parts warranty requires online registration within 90 days of purchase for replacement or closing for new home construction.

*Does not apply to R-22 models, 3-Phase models, or Internet sales.

See Limited Warranty certificate in User's Information Manual for details.

DESCRIPTION

The YHE model outdoor units are optimized for the 14 SEER / 8.2 HSPF Minimum Efficiency in all US Regions, and are specifically designed to be matched with York indoor coils, furnaces, and air handlers to provide a complete system solution.

FEATURES

- **Easier Installation** - Independent panels provide quick access for unit setup. Installation time is reduced by easy power and control wiring access. The factory installed filter-drier and factory charge for a 15-Ft lineset means less time spent brazing and charging the system. The small base dimension and reduced unit size make for easier retrofits.
- **Accessible Information** - QR code on unit provides quick access to technical documents and warranty information.
- **Durable Finish** - The coated steel wire fan guard, coated external fasteners, and pre-treated G90-equivalent galvanized steel chassis components resist corrosion and rust creep. Champagne colored powdercoat paint further protects external panels.
- **Rugged Coil Protection** - Coils are protected from mechanical damage by a proven stamped steel coil guard design.
- **Quality Coils** - Enhanced aluminum fins are mechanically bonded to copper tubing.
- **Protected Compressor** - Compressors are protected internally by a high pressure relief valve and a temperature sensor, and externally by the system high and low pressure switches. The liquid line stainless steel filter-drier is factory installed to protect the compressor against moisture and debris.
- **Reliable Operation** - Ball bearing fan motors provide superior performance in extreme temperatures. Factory installed accumulator ensures proper functioning across a wide range of conditions.
- **Environmentally Friendly** - CFC-free R-410A refrigerant delivers environmentally friendly performance with zero ozone depletion.
- **Top Discharge** - Air is blown up, away from the structure and any landscaping and allows compact location on multi-unit applications.
- **Low Operating Sound Levels** - Developed using CFD and FEA tools, the sturdy cabinet and top design provides sound performance of 75 dBA or lower. Compatible accessories for further sound reduction are also available.
- **Better Service Access** - Diagonal base valves with open access for low-loss fittings, single panel access to the electrical controls, full corner access, and removable fan guard allow easy access for unit maintenance.
- **Agency Listed** - Safety certified by CSA to UL 1995 / CSA 22.2. Performance certified to ANSI/AHRI Standard 210/240 in accordance with the Unitary Small Equipment certification program.

LIST OF SECTIONS

DESCRIPTION 1
FEATURES 1
NOMENCLATURE 2
PHYSICAL AND ELECTRICAL DATA 3
DIMENSIONS 3
SYSTEM CHARGE FOR VARIOUS MATCHED SYSTEMS 4
SYSTEM CAPACITY - Single Piece and Modular Air Handlers .. 5
SYSTEM CAPACITY - Upflow, Downflow & Horizontal Furnaces and Coils (Coil Only Ratings) 10
SYSTEM CAPACITY - With High Efficiency Motor Furnaces ... 13
APPLICATION & ACCESSORIES 103
SOUND POWER RATINGS - COOLING 103
SOUND POWER RATINGS - HEATING 104
MECHANICAL SPECIFICATIONS 104
TYPICAL INSTALLATION 105
TYPICAL FIELD WIRING 106
ALTERNATIVE INSTALLATION CLEARANCES 106
PERFORMANCE DATA - 1.5 TON 107
PERFORMANCE DATA - 2 TON 118
PERFORMANCE DATA - 2.5 TON 132
PERFORMANCE DATA - 3 TON 146
PERFORMANCE DATA - 3 TON 159
PERFORMANCE DATA - 3.5 TON 166
PERFORMANCE DATA - 4 TON 177
PERFORMANCE DATA - 5 TON 189

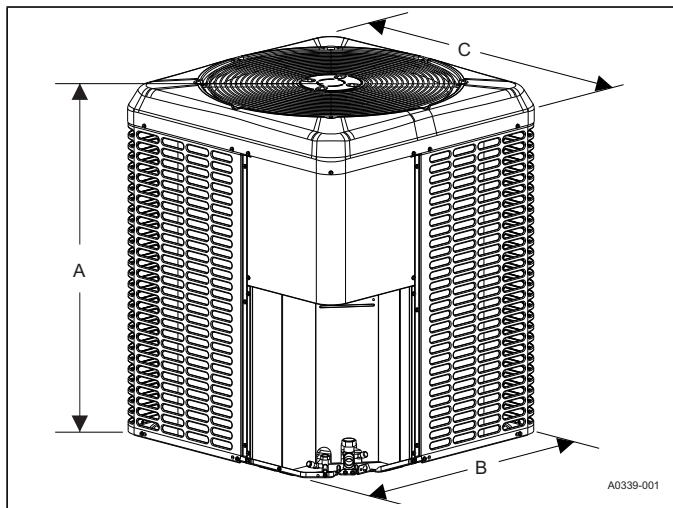
NOMENCLATURE

BRAND	Y	Y = York
PRODUCT TYPE	H	H = Heat Pump
NOMINAL SERIES EFFICIENCY AND STAGING	E	E = 14 SEER / 1-Stage
NOMINAL UNIT CAPACITY (MBH)	36	18 = 1.5 Ton 36 = 3 Ton 24 = 2 Ton 42 = 3.5 Ton 30 = 2.5 Ton 48 = 4 Ton 35 = 3 Ton 60 = 5 Ton
REFRIGERANT	B	B = R-410A
VOLTAGE (Voltage-Phase-Hertz)	2	2 = 208/230-1-60
GENERATION (MAJOR REVISION)	1	1 = 1st Gen 2 = 2nd Gen etc
FACTORY OPTION	S	S = Standard (No Options) H = Hard Start Kit
STYLE LETTER (MINOR REVISION) NOT USED FOR ORDERING	A	A = Style A B = Style B etc

PHYSICAL AND ELECTRICAL DATA

MODEL		YHE18B21S	YHE24B21S	YHE30B21S	YHE35B21S	YHE36B22S	YHE42B23S	YHE48B22S	YHE60B22S
Unit Supply Voltage		208-230V, 1 ϕ , 60Hz							
Normal Voltage Range ¹		187 to 252							
Minimum Circuit Ampacity		12.0	15.4	18.1	20.5	22.0	26.8	30.8	31.7
Max. Overcurrent Device Amps ²		20	25	30	35	35	45	50	50
Min. Overcurrent Device Amps ³		15	20	20	25	25	30	35	35
Compressor Type		Scroll	Scroll	Scroll	Scroll	Scroll	Scroll	Scroll	Scroll
Compressor	Rated Load	9.0	11.7	13.4	15.4	15.4	19.2	23.6	24.3
	Locked Rotor	56.3	61.6	72.5	83.9	83.9	123.9	130.0	144.2
Crankcase Heater		No	No	No	No	No	No	No	No
Factory External Discharge Muffler		Yes	Yes	Yes	Yes	Yes	Yes	Yes	Yes
HS Kit Required with TXV		No	No	No	No	No	No	No	No
HS Kit Part Number (S1-2SA067*****) ⁴		10106	10106	10106	10106	10106	10106	10106	10106
Fan Diameter Inches		22	22	24	24	26	26	26	26
Fan Motor	Type	PSC	PSC	PSC	PSC	ECM	ECM	PSC	PSC
	Rated HP	1/8	1/8	1/4	1/4	1/3	1/3	1/4	1/4
	Rated Load Amps	0.80	0.80	1.30	1.30	2.8	2.8	1.30	1.30
	Nominal RPM	1075	1075	850	850	834	834	850	850
	Nominal CFM	2850	2850	2995	2995	3715	4000	4000	4100
Coil	Face Area Sq. Ft.	16.15	17.94	23.82	23.82	26.40	26.40	26.40	28.80
	Rows Deep	1	1	1	1	1	1	2	2
	Fins / Inch	22	22	22	22	22	22	18	18
Liquid Line Set OD (Field Installed)		3/8	3/8	3/8	3/8	3/8	3/8	3/8	3/8
Vapor Line Set OD (Field Installed) ⁵		3/4	3/4	3/4	3/4	3/4	7/8	7/8	1-1/8 [‡]
Unit Charge (Lbs. - Oz.) ⁶		5 - 11	6 - 7	7 - 15	8 - 1	9 - 1	10 - 5	15 - 4	14 - 10
Charge Per Foot, Oz.		0.62	0.62	0.62	0.62	0.62	0.67	0.67	0.75
Operating Weight Lbs.		120	131	176	176	230	230	235	256

1. Rated in accordance with AHRI Standard 110-2012, utilization range "A".
2. Dual element fuses or HACR circuit breaker. Maximum allowable overcurrent protection.
3. Dual element fuses or HACR circuit breaker. Minimum recommended overcurrent protection.
4. Use S1-2SA067**** series kit. See Hard Start Kit Accessory Installation Manual.
5. For applications with non-standard vapor line sizes, see the "Applications & Accessories" section of this Technical Guide.
6. The Unit Charge is correct for the outdoor unit, smallest matched indoor unit, and 15 feet of refrigerant tubing. For tubing lengths other than 15 feet, add or subtract the amount of refrigerant, using the difference in actual lineset length (not the equivalent length) multiplied by the per foot value.



DIMENSIONS

Unit Model	Dimensions (Inches)			Refrigerant Connection Service Valve Size	
	A	B	C	Liquid	Vapor
YHE18B21S	33-1/4	29-1/4	29-1/4	3/8	3/4
YHE24B21S	36-1/4	29-1/4	29-1/4		
YHE30B21S	39-1/2	35-1/4	31-3/4		
YHE35B21S	39-1/2	35-1/4	31-3/4		
YHE36B22SS	39-1/2	38	34-1/4		
YHE42B23S	39-1/2	38	34-1/4		
YHE48B22S	39-1/2	38	34-1/4	7/8	7/8 [‡]
YHE60B22S	42-1/2	38	34-1/4		

‡ Adapter fitting must be field installed for the required 1-1/8" line set.
 All dimensions are in inches and are subject to change without notice.
 Overall height is from bottom of base pan to top of fan guard.
 Overall length and width include screw heads.

SYSTEM CHARGE FOR VARIOUS MATCHED SYSTEMS

Outdoor Unit	YHE18B21S	YHE24B21S	YHE30B21S	YHE35B21S	YHE36B22S	YHE42B23S	YHE48B22S	YHE60B22S
Required TXV ^{1,2}	BA1	BA1	BA1 or BB1	BA1 or BB1	BA1 or BF1	BC1	BC1	BG1 or BC1
Defrost Jumper Pin Setting	2	2	2	3	3	2	4	2
Indoor Unit ^{3,4,5}	Additional Charge, oz							
AP18B	0	–	–	–	–	–	–	–
AP24B	7	0	–	–	–	–	–	–
AP30B	–	9	0	–	–	–	–	–
AP36B	–	–	0	–	–	–	–	–
AP36C	–	–	–	–	–	–	–	–
AP37C	–	–	–	–	8	–	–	–
AP42C	–	–	–	–	–	–	–	–
AP48(C,D)	–	–	–	–	–	0	–	–
AP60(C,D)	–	–	–	–	–	–	–	–
AE18B	0	–	–	–	–	–	–	–
AE24B	7	0	–	–	–	–	–	–
AE30B	–	9	0	–	–	–	–	–
AE36(B,C)	–	–	0	0	–	–	–	–
AE42C	–	–	3	7	8	0	–	–
AE48(C,D)	–	–	–	–	8	0	0	–
AE60C	–	–	–	–	–	–	8	–
AE60D	–	–	–	–	–	–	–	2
AVC18B	0	–	–	–	–	–	–	–
AVC24B	7	0	–	–	–	–	–	–
AVC30B	–	9	0	–	–	–	–	–
AVC36(B,C)	–	–	0	0	–	–	–	–
AVC42C	–	–	3	7	8	0	–	–
AVC48(C,D)	–	–	–	–	8	0	0	–
AVC60C	–	–	–	–	–	–	8	–
AVC60D	–	–	–	–	–	–	–	2
CF/CM/CU18(A,B)	0	–	–	–	–	–	–	–
CF/CM/CU24(A,B)	7	0	–	–	–	–	–	–
CF/CM/CU30(A,B,C)	–	9	0	–	–	–	–	–
CF/CM/CU36(A,B,C)	–	–	0	0	–	–	–	–
CF/CM/CU42(B,C,D)	–	–	3	8	–	–	–	–
CF/CM/CU48(C,D)	–	–	–	7	8	0	0	–
CF/CM/CU60(C,D)	–	–	–	–	–	–	8	–
CF/CM64D	–	–	–	–	–	–	–	2

Some of the combinations shown in the above System Charge table require Advanced Main Air Circulating Fan indoor product. For approved coil only matches, please see the "COOLING CAPACITY - Upflow, Downflow & Horizontal Furnaces and Coils" table.

FOOTNOTES:

1. For applications requiring a TXV, use S1-1TVM*** series kit.
2. A TXV kit must be used with these indoor units to obtain system performance.
3. Systems matched with furnaces or air handlers not equipped with blower-off delays may require 60 second time delay.
4. CF coils cannot be used in horizontal applications.
5. Charge adders shown above do not indicate that coils are rated for every application. Refer to Performance Data Tables for actual performance for specified system matches. Obtain certified system ratings from www.ahridirectory.org.

CHARGING PROCEDURES:

1. Check the Factory Unit Charge listed on the unit data plate to verify the refrigerant charge for the outdoor unit, the smallest matched indoor unit, and the 15 feet of interconnecting lineset.
2. Verify the indoor metering device and additional charge required for the specific matched indoor unit in the system using the above table.
3. Add additional charge for the amount of interconnecting lineset greater than 15 feet at the rate specified in the Physical and Electrical Data Table.
4. For installations requiring additional charge, weigh in refrigerant for the specific matching indoor unit and actual lineset length.
5. Once the charge adders for matched indoor unit and for lineset have been weighed in, verify the system operation against the temperatures and pressures in the Charging Chart for the outdoor unit. Locate Charging Charts on the outdoor unit and also in the Service Data Application Guide on www.simplygettingthejobdone.com. Follow the Subcool or Superheat charging procedure in the Installation Manual according to the type of indoor metering device in the system, and allow ten minutes after each charge adjustment for the system operation to stabilize. Record the charge adjustment made to match the Charging Chart.
6. Permanently stamp the unit data plate with the TOTAL SYSTEM CHARGE defined as follows: TOTAL SYSTEM CHARGE = Base Charge (as shipped) + charge adder for matched indoor unit (+ or -) charge adder for actual lineset length + charge adjustments to match the Charging Chart.

SYSTEM CAPACITY - Single Piece and Modular Air Handlers

UNIT MODEL	AIR HANDLER		COIL MODEL ³	RATED CFM	COOLING ¹				HEATING ²					
	MODEL	WIDTH			NET MBH		SEER	EER	NET MBH		HSPF Region IV	HSPF Region V	COP	
					TOTAL	SENS.			47°F OD	17°F OD			47°F OD	17°F OD
YHE18B21S	AE18BBA21	17.5	–	675	18.0	14.6	15.75	13.00	18.0	11.5	9.00	7.45	3.88	2.60
YHE18B21S	AE18BX21	17.5	–	600	18.0	13.6	15.25	12.75	17.6	11.7	8.75	–	3.78	2.56
YHE18B21S	AE24BBA21	17.5	–	675	18.0	14.6	15.75	13.00	18.0	11.5	9.00	7.40	3.90	2.60
YHE18B21S	AE24BX21	17.5	–	675	18.0	14.6	15.75	13.00	18.0	11.5	9.00	7.40	3.90	2.60
YHE18B21S	AP18BBA21	17.5	–	600	18.0	12.8	14.00	12.00	18.2	12.1	9.00	7.65	3.52	2.38
YHE18B21S	AP18BX21	17.5	–	600	18.0	12.8	14.00	12.00	18.2	12.1	9.00	7.65	3.52	2.38
YHE18B21S	AP24BBA21	17.5	–	600	18.0	13.6	14.00	12.00	18.0	12.0	8.20	–	3.54	2.42
YHE18B21S	AP24BX21	17.5	–	600	18.0	13.6	14.00	12.00	18.0	12.0	8.20	–	3.54	2.42
YHE18B21S	AVC18BX21	17.5	–	650	18.0	14.4	15.75	13.00	18.0	11.5	9.00	7.50	3.82	2.58
YHE18B21S	AVC24BX21	17.5	–	650	18.0	14.4	15.75	13.00	18.0	11.5	9.00	7.45	3.88	2.58
YHE18B21S	ME08BN21	17.5	CF/CM18B	575	18.0	13.6	15.75	13.00	18.0	11.6	9.00	7.60	3.68	2.54
YHE18B21S	ME08BN21	17.5	CF/CM24B	575	18.0	13.5	15.75	13.00	18.0	11.6	9.00	7.50	3.76	2.54
YHE18B21S	ME08BN21	17.5	CF18BBAA1	600	18.0	13.6	15.00	12.75	17.3	11.7	9.00	–	3.80	2.56
YHE18B21S	ME08BN21	17.5	CF24BBAA1	575	18.0	13.5	15.75	13.00	18.0	11.6	9.00	7.50	3.76	2.54
YHE18B21S	ME08BN21	17.5	CM24BBAA1	600	18.0	13.6	15.25	12.75	17.5	11.7	9.00	–	3.84	2.60
YHE18B21S	ME12BN21	17.5	CF/CM18B	675	18.0	14.6	15.75	13.00	18.0	11.5	9.00	7.45	3.88	2.58
YHE18B21S	ME12BN21	17.5	CF/CM24B	675	18.0	14.6	15.75	13.00	18.0	11.5	9.00	7.40	3.90	2.60
YHE18B21S	ME12BN21	17.5	CF18BBAA1	675	18.0	14.6	15.75	13.00	18.0	11.5	9.00	7.45	3.88	2.58
YHE18B21S	ME12BN21	17.5	CF24BBAA1	675	18.0	14.6	15.75	13.00	18.0	11.5	9.00	7.40	3.90	2.60
YHE18B21S	ME12BN21	17.5	CM24BBAA1	600	17.8	13.3	14.00	12.00	17.5	12.0	8.5	–	3.60	2.44
YHE18B21S	MVC08BN21	17.5	CF/CM18B	625	18.0	14.1	15.75	13.00	18.0	11.5	9.00	7.45	3.86	2.56
YHE18B21S	MVC08BN21	17.5	CF/CM24B	650	18.0	14.4	15.75	13.00	18.0	11.5	9.00	7.40	3.88	2.58
YHE18B21S	MVC08BN21	17.5	CF18BBAA1	550	17.8	13.0	15.00	12.75	17.3	11.7	8.75	–	3.72	2.54
YHE18B21S	MVC08BN21	17.5	CF24BBAA1	650	18.0	14.4	15.75	13.00	18.0	11.5	9.00	7.40	3.88	2.58
YHE18B21S	MVC08BN21	17.5	CM24BBAA1	575	18.0	13.6	15.25	12.75	17.5	11.6	9.00	–	3.86	2.60
YHE18B21S	MVC12CN21	21.0	CF/CM24C	650	18.0	14.4	15.75	13.00	18.0	11.4	9.00	7.40	3.92	2.60
YHE24B21S	AE24BBA21	17.5	–	675	24.0	17.6	15.75	13.00	24.0	14.8	8.50	7.15	3.60	2.42
YHE24B21S	AE24BX21	17.5	–	675	24.0	17.6	15.75	13.00	24.0	14.8	8.50	7.15	3.60	2.42
YHE24B21S	AE30BX21	17.5	–	750	24.0	17.5	15.75	13.00	24.0	14.9	9.50	7.95	4.00	2.72
YHE24B21S	AP24BBA21	17.5	–	800	23.8	17.0	14.00	11.75	24.0	15.4	8.55	7.40	3.50	2.32
YHE24B21S	AP24BX21	17.5	–	800	23.8	17.0	14.00	11.75	24.0	15.4	8.55	7.40	3.50	2.32
YHE24B21S	AP30BX21	17.5	–	800	24.0	18.5	15.25	12.25	24.0	15.6	8.50	–	3.80	2.54
YHE24B21S	AVC24BX21	17.5	–	650	24.0	17.2	15.50	13.00	24.0	14.8	8.50	7.20	3.54	2.42
YHE24B21S	AVC30BX21	17.5	–	800	24.0	18.0	16.00	13.00	24.0	15.0	9.50	7.95	4.02	2.72
YHE24B21S	ME08BN21	17.5	CF/CM24B	800	24.0	19.4	15.75	13.00	24.0	14.8	8.75	7.35	3.74	2.44
YHE24B21S	ME08BN21	17.5	CF/CM30B	800	24.0	18.0	15.75	13.00	24.0	15.0	9.50	7.95	4.02	2.72
YHE24B21S	ME08BN21	17.5	CF24BBAA1	800	24.0	19.4	15.75	13.00	24.0	14.8	8.75	7.35	3.74	2.44
YHE24B21S	ME08BN21	17.5	CF30BBAA1	800	24.0	18.7	16.00	13.00	23.8	15.3	8.50	–	3.98	2.68

SYSTEM CAPACITY - Single Piece and Modular Air Handlers

UNIT MODEL	AIR HANDLER		COIL MODEL ³	RATED CFM	COOLING ¹				HEATING ²					
	MODEL	WIDTH			NET MBH		SEER	EER	NET MBH		HSPF Region IV	HSPF Region V	COP	
					TOTAL	SENS.			47°F OD	17°F OD			47°F OD	17°F OD
YHE24B21S	ME08BN21	17.5	CM24BBAA1	800	24.0	17.6	15.50	12.75	23.4	14.9	8.50	–	3.72	2.46
YHE24B21S	ME08BN21	17.5	CM30BBAA1	800	24.0	18.7	16.00	13.00	23.8	15.3	8.50	–	3.98	2.68
YHE24B21S	ME12BN21	17.5	CF/CM24B	675	24.0	17.6	15.75	13.00	24.0	14.8	8.50	7.15	3.60	2.42
YHE24B21S	ME12BN21	17.5	CF/CM30B	675	24.0	16.8	15.75	13.00	24.0	15.0	9.25	7.80	3.88	2.70
YHE24B21S	ME12BN21	17.5	CF24BBAA1	675	24.0	17.6	15.75	13.00	24.0	14.8	8.50	7.15	3.60	2.42
YHE24B21S	ME12BN21	17.5	CF30BBAA1	800	24.0	18.7	16.00	13.00	24.0	15.4	8.50	–	3.96	2.66
YHE24B21S	ME12BN21	17.5	CM24BBAA1	800	24.0	17.6	15.50	12.75	23.4	14.9	8.50	–	3.70	2.44
YHE24B21S	ME12BN21	17.5	CM30BBAA1	800	24.0	18.7	16.00	13.00	24.0	15.4	8.50	–	3.96	2.66
YHE24B21S	ME12CN21	21.0	CF/CM24C	600	23.8	16.6	15.50	13.00	24.0	14.9	8.20	6.95	3.46	2.38
YHE24B21S	ME14DN21	24.5	CF/CM30D	800	24.0	18.6	15.75	12.75	24.0	15.5	8.50	–	3.88	2.60
YHE24B21S	ME16CN21	21.0	CF/CM24C	875	24.0	18.2	14.25	12.00	24.0	15.3	8.25	–	3.62	2.36
YHE24B21S	ME16CN21	21.0	CF/CM30C	925	24.0	19.2	15.75	13.00	24.0	15.0	9.50	7.85	4.16	2.76
YHE24B21S	MVC08BN21	17.5	CF/CM24B	650	24.0	17.2	15.50	13.00	24.0	14.8	8.50	7.20	3.54	2.42
YHE24B21S	MVC08BN21	17.5	CF/CM30B	650	24.0	16.7	15.75	13.00	24.0	15.0	9.25	7.85	3.84	2.68
YHE24B21S	MVC08BN21	17.5	CF24BBAA1	650	24.0	17.2	15.50	13.00	24.0	14.8	8.50	7.20	3.54	2.42
YHE24B21S	MVC08BN21	17.5	CF30BBAA1	700	24.0	16.7	16.00	13.00	23.6	15.2	8.55	–	3.84	2.64
YHE24B21S	MVC08BN21	17.5	CM24BBAA1	800	24.0	17.2	15.50	12.75	23.4	14.9	8.55	–	3.72	2.46
YHE24B21S	MVC08BN21	17.5	CM30BBAA1	700	24.0	16.7	16.00	13.00	23.6	15.2	8.55	–	3.84	2.64
YHE24B21S	MVC12BN21	17.5	CF/CM24B	775	24.0	18.4	15.75	13.00	24.0	14.8	8.75	7.35	3.72	2.46
YHE24B21S	MVC12BN21	17.5	CF/CM30B	775	24.0	17.7	15.75	13.00	24.0	14.9	9.50	7.95	4.02	2.74
YHE24B21S	MVC12BN21	17.5	CF24BBAA1	775	24.0	18.4	15.75	13.00	24.0	14.8	8.75	7.35	3.72	2.46
YHE24B21S	MVC12BN21	17.5	CF30BBAA1	775	24.0	17.7	15.75	13.00	24.0	14.9	9.50	7.95	4.02	2.74
YHE24B21S	MVC12BN21	17.5	CM24BBAA1	800	24.0	17.1	15.25	12.75	23.4	14.9	8.55	–	3.70	2.44
YHE24B21S	MVC12BN21	17.5	CM30BBAA1	775	24.0	17.7	15.75	13.00	24.0	14.9	9.50	7.95	4.02	2.74
YHE24B21S	MVC12CN21	21.0	CF/CM24C	700	24.0	17.7	15.75	13.00	24.0	14.7	8.50	7.15	3.66	2.44
YHE24B21S	MVC12CN21	21.0	CF/CM30C	650	24.0	16.7	15.75	13.00	24.0	14.9	9.25	7.80	3.86	2.70
YHE24B21S	MVC14DN21	24.5	CF/CM30D	800	24.0	18.8	16.00	13.00	23.8	15.2	8.75	–	4.04	2.70
YHE24B21S	MVC16CN21	21.0	CF/CM24C	925	24.0	18.9	15.5	13.00	24.0	14.8	8.75	7.35	3.70	2.44
YHE24B21S	MVC16CN21	21.0	CF/CM30C	925	24.0	19.2	15.75	13.00	24.0	14.9	9.50	7.85	4.18	2.78
YHE30B21S	AE30BX21	17.5	–	900	29.4	22.6	15.75	13.00	30.0	19.5	9.50	7.95	3.94	2.74
YHE30B21S	AE36BX21	17.5	–	1000	30.0	23.8	15.75	13.00	30.0	20.0	9.50	7.55	4.44	2.96
YHE30B21S	AE36CX21	21.0	–	825	29.8	21.8	15.75	13.00	30.0	19.8	9.50	7.65	4.34	2.96
YHE30B21S	AP30BX21	17.5	–	1000	28.8	21.6	14.00	12.00	29.6	20.0	9.85	8.45	3.74	2.62
YHE30B21S	AVC30BX21	17.5	–	825	29.0	21.4	15.75	13.00	30.0	19.5	9.50	8.05	3.84	2.72
YHE30B21S	AVC36BX21	17.5	–	1000	30.0	23.8	15.75	13.00	30.0	20.0	9.50	7.55	4.42	2.94
YHE30B21S	AVC36CX21	21.0	–	950	30.0	23.4	15.75	13.00	30.0	19.9	9.50	7.55	4.46	2.98
YHE30B21S	ME12BN21	17.5	CF/CM30B	850	29.2	22.0	15.75	13.00	30.0	19.4	9.50	7.95	3.94	2.74
YHE30B21S	ME12BN21	17.5	CF/CM36B	850	29.6	22.2	15.75	13.00	30.0	19.9	9.50	7.60	4.34	2.94

SYSTEM CAPACITY - Single Piece and Modular Air Handlers

UNIT MODEL	AIR HANDLER		COIL MODEL ³	RATED CFM	COOLING ¹				HEATING ²					
	MODEL	WIDTH			NET MBH		SEER	EER	NET MBH		HSPF Region IV	HSPF Region V	COP	
					TOTAL	SENS.			47°F OD	17°F OD			47°F OD	17°F OD
YHE30B21S	ME12CN21	21.0	CF/CM30C	825	29.0	21.4	15.75	13.00	30.0	19.4	9.50	8.00	3.88	2.74
YHE30B21S	ME14DN21	24.5	CF/CM30D	825	29.0	21.4	15.75	13.00	30.0	19.4	9.50	8.00	3.88	2.74
YHE30B21S	ME14DN21	24.5	CF/CM36D	825	29.8	21.8	15.75	13.00	30.0	19.8	9.50	7.60	4.34	2.96
YHE30B21S	ME16CN21	21.0	CF/CM30C	900	29.4	22.6	15.75	13.00	29.8	19.4	9.50	7.95	3.96	2.74
YHE30B21S	ME16CN21	21.0	CF/CM36C	900	30.0	22.8	15.75	13.00	30.0	19.8	9.50	7.55	4.40	2.96
YHE30B21S	MVC12BN21	17.5	CF/CM30B	875	29.2	22.2	15.75	13.00	30.0	19.4	9.50	7.95	3.92	2.76
YHE30B21S	MVC12BN21	17.5	CF/CM36B	875	29.8	22.4	15.75	13.00	30.0	19.9	9.50	7.60	4.36	2.94
YHE30B21S	MVC12CN21	21.0	CF/CM30C	875	29.2	22.2	15.75	13.00	29.8	19.3	9.50	7.95	3.96	2.78
YHE30B21S	MVC12CN21	21.0	CF/CM36C	875	30.0	22.6	15.75	13.00	30.0	19.8	9.50	7.55	4.40	2.98
YHE30B21S	MVC14DN21	24.5	CF/CM30D	875	29.4	22.4	15.75	13.00	29.8	19.3	9.50	7.95	3.98	2.78
YHE30B21S	MVC14DN21	24.5	CF/CM36D	875	30.0	22.6	15.75	13.00	30.0	19.7	9.50	7.55	4.42	2.98
YHE30B21S	MVC16CN21	21.0	CF/CM30C	925	29.6	23.0	15.75	13.00	29.8	19.3	9.50	7.90	4.02	2.78
YHE30B21S	MVC16CN21	21.0	CF/CM36C	925	30.0	23.2	15.75	13.00	30.0	19.8	9.50	7.55	4.46	3.00
YHE35B21S	AE36BX21	17.5	–	1000	34.6	25.4	14.00	12.25	34.0	22.0	8.20	7.35	3.48	2.30
YHE35B21S	AE36CX21	21.0	–	1225	35.2	26.2	14.50	12.00	34.0	21.6	8.90	7.70	3.64	2.48
YHE35B21S	AVC36BX21	17.5	–	1000	34.4	25.2	14.00	12.20	34.0	22.2	8.20	7.35	3.46	2.30
YHE35B21S	AVC36CX21	21.0	–	1025	34.8	25.8	14.25	12.25	33.8	22.0	8.55	7.40	3.52	2.32
YHE35B21S	ME12BN21	17.5	CF/CM36B	1050	34.6	26.0	14.25	12.20	34.0	21.8	8.55	7.40	3.52	2.44
YHE35B21S	ME12BN21	17.5	CF42B	1050	35.0	26.2	14.50	12.20	33.6	21.6	8.55	7.40	3.60	2.44
YHE35B21S	ME12CN21	21.0	CF/CM36C	1000	34.6	25.4	14.25	12.25	33.8	22.0	8.20	7.40	3.50	2.32
YHE35B21S	ME14DN21	24.5	CF/CM36D	825	33.6	23.0	14.75	12.20	33.6	21.8	8.20	7.30	3.36	2.30
YHE35B21S	ME16CN21	21.0	CF/CM36C	1100	34.8	26.8	14.50	12.25	33.8	21.6	8.55	7.40	3.58	2.46
YHE35B21S	ME16CN21	21.0	CF/CM42C	1100	35.6	27.0	14.75	12.25	33.6	21.4	8.55	7.35	3.64	2.46
YHE35B21S	MVC12BN21	17.5	CF/CM36B	1025	34.6	25.8	14.00	12.25	34.0	22.2	8.20	7.35	3.50	2.30
YHE35B21S	MVC12BN21	17.5	CF42B	1025	35.0	26.0	14.50	12.20	33.6	21.6	8.55	7.40	3.58	2.44
YHE35B21S	MVC12CN21	21.0	CF/CM36C	1000	34.8	25.6	14.25	12.50	33.8	22.0	8.55	7.40	3.52	2.32
YHE35B21S	MVC12CN21	21.0	CF/CM42C	1000	35.0	25.6	15.00	12.25	33.4	21.4	8.55	7.40	3.60	2.46
YHE35B21S	MVC14DN21	24.5	CF/CM36D	875	34.0	24.0	14.50	12.25	33.6	21.6	8.20	7.45	3.44	2.36
YHE35B21S	MVC16CN21	21.0	CF/CM36C	1025	34.8	25.8	14.50	12.50	33.8	22.0	8.55	7.40	3.54	2.32
YHE35B21S	MVC16CN21	21.0	CF/CM42C	1025	35.2	26.0	15.00	12.25	33.4	21.4	8.55	7.40	3.62	2.46
YHE36B22S	AE42CBF21	21.0	–	1000	36.0	25.8	15.75	13.00	34.8	22.4	8.75	–	3.64	2.58
YHE36B22S	AE42CX21	21.0	–	1000	36.0	25.8	15.75	13.00	34.8	22.4	8.75	–	3.64	2.58
YHE36B22S	AE48CX21	21.0	–	1050	36.0	27.3	15.75	12.75	34.8	22.4	9.00	7.70	3.70	2.60
YHE36B22S	AE48DX21	24.5	–	1050	36.0	27.5	16.00	13.00	34.8	22.4	9.00	7.65	3.76	2.62
YHE36B22S	AP37CBA21	21.0	–	1200	36.0	25.2	14.00	12.00	35.8	23.4	8.75	7.75	3.54	2.46
YHE36B22S	AP37CBF21	21.0	–	1200	36.0	25.2	14.00	12.00	35.8	23.4	8.75	7.75	3.54	2.46
YHE36B22S	AP37CX21	21.0	–	1200	36.0	25.2	14.00	12.00	35.8	23.4	8.75	7.75	3.54	2.46
YHE36B22S	AP48DX21	24.5	–	1350	36.0	30.6	14.00	11.75	36.0	23.6	8.50	7.75	3.56	2.46

SYSTEM CAPACITY - Single Piece and Modular Air Handlers

UNIT MODEL	AIR HANDLER		COIL MODEL ³	RATED CFM	COOLING ¹				HEATING ²					
	MODEL	WIDTH			NET MBH		SEER	EER	NET MBH		HSPF Region IV	HSPF Region V	COP	
					TOTAL	SENS.			47°F OD	17°F OD			47°F OD	17°F OD
YHE36B22S	AVC42CX21	21.0	--	1150	36.2	27.2	15.75	13.00	35.0	22.6	9.00	8.00	3.70	2.58
YHE36B22S	AVC48CX21	21.0	--	1025	36.0	26.9	15.75	12.75	34.8	22.6	8.75	7.50	3.64	2.58
YHE36B22S	AVC48DX21	24.5	--	1025	36.0	27.1	16.00	13.00	34.8	22.4	9.00	7.70	3.66	2.58
YHE36B22S	ME12CN21	21.0	CF/CM48C	1000	36.0	26.7	15.75	12.75	34.8	22.6	8.75	7.50	3.62	2.58
YHE36B22S	ME14DN21	24.5	CF/CM48D	1025	36.0	27.1	16.00	13.00	34.8	22.4	9.00	7.70	3.66	2.58
YHE36B22S	ME16CN21	21.0	CF/CM48C	1100	36.0	28.0	15.75	12.75	35.0	22.6	9.00	7.70	3.70	2.58
YHE36B22S	ME20DN21	24.5	CF/CM48D	1275	36.0	30.3	16.00	13.00	34.8	22.4	9.25	7.85	3.82	2.64
YHE36B22S	MVC12CN21	21.0	CF/CM48C	1000	36.0	26.7	15.75	12.75	34.8	22.4	8.75	7.50	3.64	2.58
YHE36B22S	MVC14DN21	24.5	CF/CM48D	1000	36.0	26.7	16.00	13.00	34.8	22.4	9.00	7.75	3.66	2.60
YHE36B22S	MVC16CN21	21.0	CF/CM48C	1025	36.0	27.1	15.75	12.75	34.8	22.4	9.00	7.70	3.66	2.58
YHE36B22S	MVC20DN21	24.5	CF/CM48D	1175	36.0	29.4	16.00	13.00	34.8	22.4	9.00	7.65	3.78	2.62
YHE42B23S	AE42CX21	21.0	--	1150	40.0	29.1	15.00	12.25	40.0	25.2	8.20	7.25	3.36	2.64
YHE42B23S	AE48CBC21	21.0	--	1200	40.5	30.0	15.25	12.25	40.0	25.2	8.20	7.25	3.44	2.66
YHE42B23S	AE48CX21	21.0	--	1200	40.5	30.0	15.25	12.25	40.0	25.2	8.20	7.25	3.44	2.66
YHE42B23S	AE48DBC21	24.5	--	1250	40.5	30.6	15.50	12.50	39.5	25.0	8.50	7.50	3.50	2.70
YHE42B23S	AE48DX21	24.5	--	1250	40.5	30.6	15.50	12.50	39.5	25.0	8.50	7.50	3.50	2.70
YHE42B23S	AP48CBC21	21.0	--	1450	41.0	30.2	14.00	11.75	40.5	25.8	8.20	7.55	3.34	2.58
YHE42B23S	AP48CX21	21.0	--	1450	41.0	30.2	14.00	11.75	40.5	25.8	8.20	7.55	3.34	2.58
YHE42B23S	AP48DX21	24.5	--	1475	41.0	33.3	14.00	11.25	40.5	26.0	8.20	7.25	3.36	2.56
YHE42B23S	AVC42CX21	21.0	--	1150	40.0	29.1	15.00	12.25	40.0	25.4	8.20	7.25	3.34	2.62
YHE42B23S	AVC48CX21	21.0	--	1200	40.5	30.1	15.00	12.25	40.0	25.4	8.20	7.25	3.38	2.64
YHE42B23S	AVC48DX21	24.5	--	1150	40.5	29.6	15.50	12.25	40.0	25.2	8.20	7.25	3.38	2.66
YHE42B23S	ME14DN21	24.5	CF/CM48D	1200	40.5	30.0	15.25	12.25	40.0	25.2	8.20	7.25	3.40	2.66
YHE42B23S	ME14DN21	24.5	CM48DBCA1	1200	40.5	30.0	15.25	12.25	40.0	25.2	8.20	7.25	3.40	2.66
YHE42B23S	ME16CN21	21.0	CF/CM48C	1325	40.5	31.4	15.00	12.20	40.0	25.4	8.20	7.25	3.42	2.64
YHE42B23S	ME16CN21	21.0	CF48CBCA1	1325	40.5	31.4	15.00	12.20	40.0	25.4	8.20	7.25	3.42	2.64
YHE42B23S	ME16CN21	21.0	CM48CBCA1	1325	40.5	31.4	15.00	12.20	40.0	25.4	8.20	7.25	3.42	2.64
YHE42B23S	ME20DN21	24.5	CF/CM48D	1275	41.0	31.2	15.50	12.50	39.5	25.2	8.50	7.50	3.46	2.66
YHE42B23S	ME20DN21	24.5	CM48DBCA1	1275	41.0	31.2	15.50	12.50	39.5	25.2	8.50	7.50	3.46	2.66
YHE42B23S	MVC14DN21	24.5	CF/CM48D	1175	40.5	29.8	15.50	12.50	40.0	25.0	8.20	7.25	3.40	2.68
YHE42B23S	MVC14DN21	24.5	CM48DBCA1	1175	40.5	29.8	15.50	12.50	40.0	25.0	8.20	7.25	3.40	2.68
YHE42B23S	MVC16CN21	21.0	CF/CM48C	1150	40.5	29.6	15.25	12.25	40.0	25.2	8.20	7.25	3.36	2.66
YHE42B23S	MVC16CN21	21.0	CF48CBCA1	1150	40.5	29.6	15.25	12.25	40.0	25.2	8.20	7.25	3.36	2.66
YHE42B23S	MVC16CN21	21.0	CM48CBCA1	1150	40.5	29.6	15.25	12.25	40.0	25.2	8.20	7.25	3.36	2.66
YHE42B23S	MVC20DN21	24.5	CF/CM48D	1175	40.5	29.8	15.50	12.50	40.0	25.0	8.20	7.25	3.40	2.68
YHE42B23S	MVC20DN21	24.5	CM48DBCA1	1175	40.5	29.8	15.50	12.50	40.0	25.0	8.20	7.25	3.40	2.68
YHE42B23S	AE48CBC21	21.0	--	1400	46.0	31.8	14.25	12.00	47.5	31.4	9.00	--	3.58	2.64

SYSTEM CAPACITY - Single Piece and Modular Air Handlers

UNIT MODEL	AIR HANDLER		COIL MODEL ³	RATED CFM	COOLING ¹				HEATING ²					
	MODEL	WIDTH			NET MBH		SEER	EER	NET MBH		HSPF Region IV	HSPF Region V	COP	
					TOTAL	SENS.			47°F OD	17°F OD			47°F OD	17°F OD
YHE48B22S	AE48CX21	21.0	—	1400	46.0	31.8	14.25	12.00	47.5	31.4	9.00	—	3.58	2.64
YHE48B22S	AE48DBC21	24.5	—	1400	46.5	32.0	14.5	12.25	47.5	31.4	9.00	—	3.62	2.66
YHE48B22S	AE48DX21	24.5	—	1400	46.5	32.0	14.5	12.25	47.5	31.4	9.00	—	3.62	2.66
YHE48B22S	AVC48CX21	21.0	—	1375	46.0	31.6	14.25	12.00	47.5	31.4	9.00	—	3.56	2.62
YHE48B22S	AVC48DX21	24.5	—	1400	46.5	31.6	14.75	12.25	47.5	31.2	9.00	—	3.60	2.66
YHE48B22S	AVC60CX21	21.0	—	1350	46.5	31.6	15.00	12.50	47.5	31.2	9.00	—	3.56	2.62
YHE48B22S	ME14DN21	24.5	CF/CM48D	1400	46.5	32.0	14.50	12.25	47.5	31.4	9.00	—	3.60	2.66
YHE48B22S	ME14DN21	24.5	CF/CM60D	1400	46.5	32.0	14.25	12.00	48.0	31.4	9.00	—	3.54	2.60
YHE48B22S	ME14DN21	24.5	CM48DBCA1	1400	46.5	32.0	14.50	12.25	47.5	31.4	9.00	—	3.60	2.66
YHE48B22S	ME16CN21	21.0	CF/CM48C	1400	46.0	31.8	14.50	12.00	47.5	31.4	9.00	—	3.58	2.64
YHE48B22S	ME16CN21	21.0	CF/CM60C	1400	47.0	32.2	14.50	12.25	47.5	31.2	9.00	—	3.58	2.62
YHE48B22S	ME16CN21	21.0	CF48CBCA1	1400	46.0	31.8	14.50	12.00	47.5	31.4	9.00	—	3.58	2.64
YHE48B22S	ME16CN21	21.0	CM48CBCA1	1400	46.0	31.8	14.50	12.00	47.5	31.4	9.00	—	3.58	2.64
YHE48B22S	ME20DN21	24.5	CF/CM48D	1400	46.5	31.8	14.50	12.00	47.5	31.4	9.00	—	3.60	2.66
YHE48B22S	ME20DN21	24.5	CF/CM60D	1400	47.0	32.2	14.75	12.25	47.5	31.2	9.00	—	3.58	2.64
YHE48B22S	ME20DN21	24.5	CM48DBCA1	1400	46.5	31.8	14.50	12.00	47.5	31.4	9.00	—	3.60	2.66
YHE48B22S	MVC16CN21	21.0	CF/CM48C	1425	46.0	31.8	14.50	12.00	47.5	31.4	9.00	—	3.60	2.64
YHE48B22S	MVC16CN21	21.0	CF48CBCA1	1425	46.0	31.8	14.50	12.00	47.5	31.4	9.00	—	3.60	2.64
YHE48B22S	MVC16CN21	21.0	CM48CBCA1	1425	46.0	31.8	14.50	12.00	47.5	31.4	9.00	—	3.60	2.64
YHE48B22S	MVC20DN21	24.5	CF/CM48D	1350	46.5	32.0	14.50	12.25	47.5	31.2	9.00	—	3.62	2.68
YHE48B22S	MVC20DN21	24.5	CF/CM60D	1475	47.5	33.2	15.00	12.50	47.5	31.4	9.00	—	3.64	2.66
YHE48B22S	MVC20DN21	24.5	CM48DBCA1	1350	46.5	32.0	14.50	12.25	47.5	31.2	9.00	—	3.62	2.68
YHE60B22S	AE60DBG21	24.5	—	1650	55.5	38.6	14.00	12.00	57.0	37.8	9.00	8.65	3.88	2.82
YHE60B22S	AE60DX21	24.5	—	1650	55.5	38.6	14.00	12.00	57.0	37.8	9.00	8.65	3.88	2.82
YHE60B22S	AVC60DX21	24.5	—	1550	55.5	39.5	14.25	12.00	57.0	37.8	9.00	—	3.88	2.82
YHE60B22S	ME20DN21	24.5	CF/CM64D	1600	55.0	38.0	14.25	12.00	57.0	37.6	9.25	—	3.88	2.82
YHE60B22S	MVC20DN21	24.5	CF/CM64D	1600	55.5	38.5	14.25	12.00	57.0	37.6	9.25	—	3.90	2.82

Rated in accordance with DOE test procedures (Federal Register 12-27-79 and 3-18-88) and ANSI/AHRI Standard 210/240.

1. Cooling MBH based on 80°F entering air temperature, 50% RH (Relative Humidity), and rated air flow.

EER (Energy Efficiency Ratio) is the total cooling output in BTUs at 95°F outdoor ambient divided by the total electric power in watt-hours at those conditions.

SEER (Seasonal Energy Efficiency Ratio) is the total cooling output in BTUs during a normal annual usage period for cooling divided by the total electric power input in watt-hours during the same period.

2. Heating MBH based on AHRI standards of 70°F DB (Dry Bulb) entering indoor air, 72% RH (Relative Humidity) outdoor air with 25 feet of interconnecting piping and no supplemental electric heat operation.

HSPF (Heating Seasonal Performance Factor) is the total heating output during a normal annual usage period for heating divided by the total electric power input during the same period.

COP (Coefficient of Performance) equals Heating MBH output divided by (total KW input x 3.412).

3. CM coils available with a factory installed horizontal drain pan. See price pages for specific model number.

— = Not applicable.

* Notates "Hot Heat Pump" performance. These ratings are not AHRI listed.

MP Modular Air Handlers use Coil Only Ratings.

SYSTEM CAPACITY - Upflow, Downflow & Horizontal Furnaces and Coils (Coil Only Ratings)

UNIT MODEL	COIL		CFM RANGE (MIN.-MAX.)	COOLING					HEATING					
	MODEL	WIDTH		RATED CFM	NET MBH		SEER ¹	EER	NET MBH		HSPF Region IV	HSPF Region V	COP	
					TOTAL	SENS.			47°F OD	17°F OD			47°F OD	17°F OD
YHE18B21S	CF/CM/CU18A	14.5	450 - 750	600	18.0	13.9	14.00	12.20	18.0	12.1	8.75	7.40	3.52	0.00
YHE18B21S	CF/CM/CU18B	17.5	450 - 750	600	18.0	13.9	14.00	12.20	18.0	12.1	8.75	7.40	3.52	2.38
YHE18B21S	CF/CM/CU24A	14.5	450 - 750	600	18.0	13.9	14.00	12.20	18.0	12.1	8.75	7.40	3.52	2.40
YHE18B21S	CF/CM/CU24B	17.5	450 - 750	600	18.0	13.9	14.00	12.20	18.0	12.1	8.75	7.40	3.52	2.40
YHE18B21S	CF/CM24C	21.0	450 - 750	600	17.8	12.6	14.00	12.00	17.5	12.1	8.55	--	3.48	2.36
YHE18B21S	CF/CM24C	21.0	450 - 750	600	17.8	12.6	14.00	12.00	17.5	12.1	8.55	--	3.48	2.36
YHE18B21S	CF18ABAA1	14.5	450 - 750	600	18.0	13.9	14.00	12.20	18.0	12.1	8.75	7.40	3.52	2.38
YHE18B21S	CF18BBAA1	17.5	450 - 750	600	18.0	13.9	14.00	12.20	18.0	12.1	8.75	7.40	3.52	2.38
YHE18B21S	CF24ABAA1	14.5	450 - 750	600	18.0	13.9	14.00	12.20	18.0	12.1	8.75	7.40	3.52	2.40
YHE18B21S	CF24BBAA1	17.5	450 - 750	600	18.0	13.9	14.00	12.20	18.0	12.1	8.75	7.40	3.52	2.40
YHE18B21S	CM18ABAA1	14.5	450 - 750	600	18.0	13.9	14.00	12.20	18.0	12.1	8.75	7.40	3.52	2.38
YHE18B21S	CM24ABAA1	14.5	450 - 750	600	18.0	13.9	14.00	12.20	18.0	12.1	8.75	7.40	3.52	2.40
YHE18B21S	CM24BBAA1	17.5	450 - 750	600	18.0	13.9	14.00	12.20	18.0	12.1	8.75	7.40	3.52	2.40
YHE24B21S	CF/CM/CU24A	14.5	600 - 1000	675	23.6	17.2	14.00	11.50	24.0	15.4	8.20	6.95	3.40	2.30
YHE24B21S	CF/CM/CU24B	17.5	600 - 1000	800	24.0	18.7	14.00	11.50	24.0	15.4	8.20	6.95	3.50	2.32
YHE24B21S	CF/CM/CU30A	14.5	600 - 1000	675	24.0	18.0	14.75	12.50	24.0	15.6	8.75	7.45	3.62	2.52
YHE24B21S	CF/CM/CU30B	17.5	600 - 1000	800	24.0	19.2	14.25	12.20	24.0	15.8	9.00	7.60	3.70	2.50
YHE24B21S	CF/CM/CU30D	24.5	600 - 1000	800	24.0	18.3	14.50	12.00	24.0	15.9	8.25	--	3.70	2.50
YHE24B21S	CF/CM24C	21.0	600 - 1000	800	23.6	17.2	14.00	11.50	24.0	15.4	8.25	--	3.50	2.32
YHE24B21S	CF/CM30C	21.0	600 - 1000	800	24.0	18.3	14.50	12.00	24.0	15.9	8.25	--	3.70	2.50
YHE24B21S	CF24ABAA1	14.5	600 - 1000	675	23.6	17.2	14.00	11.50	24.0	15.4	8.20	6.95	3.40	2.30
YHE24B21S	CF24BBAA1	17.5	600 - 1000	800	24.0	18.7	14.00	11.50	24.0	15.4	8.20	6.95	3.50	2.32
YHE24B21S	CF30ABAA1	14.5	600 - 1000	675	24.0	18.0	14.75	12.50	24.0	15.6	8.75	7.45	3.62	2.52
YHE24B21S	CF30BBAA1	17.5	600 - 1000	800	24.0	19.2	14.25	12.20	24.0	15.8	9.00	7.60	3.70	2.50
YHE24B21S	CM24ABAA1	14.5	600 - 1000	675	23.6	17.2	14.00	11.50	24.0	15.4	8.20	6.95	3.40	2.30
YHE24B21S	CM24BBAA1	17.5	600 - 1000	800	24.0	18.7	14.00	11.50	24.0	15.4	8.20	6.95	3.50	2.32
YHE24B21S	CM30BBAA1	17.5	600 - 1000	800	24.0	19.2	14.25	12.20	24.0	15.8	9.00	7.60	3.70	2.50
YHE30B21S	CF/CM/CU30B	17.5	800 - 1200	1000	29.0	23.4	14.00	11.75	30.0	20.0	8.55	7.15	3.74	2.62
YHE30B21S	CF/CM/CU30C	21.0	800 - 1200	1000	29.0	23.4	14.00	11.75	30.0	20.0	8.55	7.15	3.74	2.62
YHE30B21S	CF/CM/CU30D	24.5	800 - 1200	1000	29.0	23.4	14.00	11.75	30.0	20.0	8.55	7.15	3.74	2.62
YHE30B21S	CF/CM/CU36B	17.5	800 - 1200	1000	29.6	23.6	14.00	12.00	30.0	20.6	8.55	6.80	4.16	2.80
YHE30B21S	CF/CM/CU36C	21.0	800 - 1200	1000	29.6	23.6	14.00	12.00	30.0	20.6	8.55	6.80	4.16	2.80
YHE30B21S	CF/CM/CU36D	24.5	800 - 1200	1000	29.6	23.6	14.00	12.00	30.0	20.6	8.55	6.80	4.16	2.80
YHE30B21S	CF/CM/CU42C	21.0	800 - 1200	1000	29.2	21.8	14.00	12.00	29.2	19.6	8.50	--	3.74	2.60
YHE30B21S	CF/CM30C	21.0	800 - 1200	1000	29.0	23.4	14.00	11.75	30.0	20.0	8.55	7.15	3.74	2.62
YHE30B21S	CF/CM36A	14.5	800 - 1200	1000	29.6	23.6	14.00	12.00	30.0	20.6	8.55	6.80	4.16	2.80
YHE30B21S	CF/CM36D	24.5	800 - 1200	1000	29.6	23.6	14.00	12.00	30.0	20.6	8.55	6.80	4.16	2.80

SYSTEM CAPACITY - Upflow, Downflow & Horizontal Furnaces and Coils (Coil Only Ratings)

UNIT MODEL	COIL		CFM RANGE (MIN.-MAX.)	COOLING					HEATING					
	MODEL	WIDTH		RATED CFM	NET MBH		SEER ¹	EER	NET MBH		HSPF Region IV	HSPF Region V	COP	
					TOTAL	SENS.			47°F OD	17°F OD			47°F OD	17°F OD
YHE30B21S	CF/CM42D	24.5	800 - 1200	1000	29.2	21.8	14.00	12.00	29.2	19.6	8.50	—	3.74	2.60
YHE30B21S	CF30BBBA1	17.5	800 - 1200	1000	29.0	23.4	14.00	11.75	30.0	20.0	8.55	7.15	3.74	2.62
YHE30B21S	CM30BBBA1	17.5	800 - 1200	1000	29.0	23.4	14.00	11.75	30.0	20.0	8.55	7.15	3.74	2.62
YHE36B22S	CF/CM/CU48C	21.0	1000 - 1400	1200	36.0	28.7	14.25	12.20	35.8	23.4	8.50	7.75	3.54	2.46
YHE36B22S	CF/CM/CU48D	24.5	1000 - 1400	1200	36.0	28.7	14.25	12.20	35.8	23.4	8.50	7.75	3.54	2.46
YHE42B23S	CF/CM/CU48C	21.0	1200 - 1600	1400	40.5	31.9	14.00	11.25	40.5	26.0	8.20	7.30	3.32	2.54
YHE42B23S	CF/CM/CU48D	24.5	1200 - 1600	1400	40.5	31.9	14.00	11.25	40.5	26.0	8.20	7.30	3.32	2.54
YHE42B23S	CF48CBCA1	21.0	1200 - 1600	1400	40.5	31.9	14.00	11.25	40.5	26.0	8.20	7.30	3.32	2.54
YHE42B23S	CM48CBCA1	21.0	1200 - 1600	1400	40.5	31.9	14.00	11.25	40.5	26.0	8.20	7.30	3.32	2.54
YHE42B23S	CM48DBCA1	24.5	1200 - 1600	1400	40.5	31.9	14.00	11.25	40.5	26.0	8.20	7.30	3.32	2.54
YHE48B22S	CF/CM/CU60C	21.0	1400 - 1800	1600	47.0	33.0	14.00	12.00	47.5	35.2	8.20	—	4.04	2.96
YHE48B22S	CF/CM/CU60D	24.5	1400 - 1800	1600	47.0	33.0	14.00	12.00	47.5	35.2	8.20	—	4.04	2.96

For rated condition information, see the footnotes below the System Capacity - Single Piece and Modular Air Handlers table.

1. Systems matched with furnaces or air handlers not equipped with blower-off delays may require 60 second time delay.

— = Not Applicable.

MP Modular Air Handlers use Coil Only Ratings.

PSC furnaces, such as the TG8S, TGLS, and TG9S, use Coil Only Ratings.

SYSTEM CAPACITY - With High Efficiency Motor Furnaces¹

UNIT MODEL	FURNACE		COIL MODEL ²	COOLING					HEATING					
	MODEL	WIDTH		RATED CFM	NET MBH		SEER	EER	NET MBH		HSPF Region IV	HSPF Region V	COP	
					TOTAL	SENS.			47°F OD	17°F OD			47°F OD	17°F OD
YHE18B21S	TL8E060A12UH11	14.5	CF/CM/CU18B	650	18.0	14.2	15.25	13.00	18.0	11.8	9.00	7.50	3.88	2.58
YHE18B21S	TL8E060A12UH11	14.5	CF/CM/CU24B	650	18.0	14.8	15.75	13.00	17.6	11.6	9.00	7.70	3.62	2.52
YHE18B21S	TL8E060A12UH11	14.5	CF/CM24C	675	18.0	15.0	15.75	13.00	17.7	11.7	9.00	7.70	3.68	2.54
YHE18B21S	TL8E060A12UH11	14.5	CF18BBAA1	650	18.0	14.2	15.25	13.00	18.0	11.8	9.00	7.50	3.88	2.58
YHE18B21S	TL8E060A12UH11	14.5	CF24BBAA1	650	18.0	14.8	15.75	13.00	17.6	11.6	9.00	7.70	3.62	2.52
YHE18B21S	TL8E060A12UH11	14.5	CM24BBAA1	650	18.0	14.8	15.75	13.00	17.6	11.6	9.00	7.70	3.62	2.52
YHE18B21S	TL9E060B12UH11	17.5	CF/CM/CU18B	650	18.0	14.1	15.25	13.00	18.0	11.9	9.00	7.45	3.86	2.56
YHE18B21S	TL9E060B12UH11	17.5	CF/CM/CU24B	650	18.0	14.7	15.50	13.00	17.6	11.7	9.00	7.70	3.60	2.50
YHE18B21S	TL9E060B12UH11	17.5	CF/CM24C	650	18.0	14.7	15.50	13.00	17.6	11.7	9.00	7.75	3.60	2.50
YHE18B21S	TL9E060B12UH11	17.5	CF18BBAA1	650	18.0	14.1	15.25	13.00	18.0	11.9	9.00	7.45	3.86	2.56
YHE18B21S	TL9E060B12UH11	17.5	CF24BBAA1	650	18.0	14.7	15.50	13.00	17.6	11.7	9.00	7.70	3.60	2.50
YHE18B21S	TL9E060B12UH11	17.5	CM24BBAA1	650	18.0	14.7	15.50	13.00	17.6	11.7	9.00	7.70	3.60	2.50
YHE18B21S	TM8E040A12MP11	14.5	CF/CM/CU18A	650	18.0	14.2	15.25	13.00	18.0	11.9	9.00	7.45	3.86	2.56
YHE18B21S	TM8E040A12MP11	14.5	CF/CM/CU18B	675	18.0	14.4	15.25	13.00	18.0	12.0	9.00	7.40	3.92	2.60
YHE18B21S	TM8E040A12MP11	14.5	CF/CM/CU24A	650	18.0	14.7	15.50	13.00	17.6	11.6	9.00	7.70	3.62	2.52
YHE18B21S	TM8E040A12MP11	14.5	CF/CM/CU24B	700	18.0	15.3	15.75	13.00	17.8	11.9	9.00	7.65	3.72	2.56
YHE18B21S	TM8E040A12MP11	14.5	CF18ABAA1	650	18.0	14.2	15.25	13.00	18.0	11.9	9.00	7.45	3.86	2.56
YHE18B21S	TM8E040A12MP11	14.5	CF18BBAA1	675	18.0	14.4	15.25	13.00	18.0	12.0	9.00	7.40	3.92	2.60
YHE18B21S	TM8E040A12MP11	14.5	CF24ABAA1	650	18.0	14.7	15.50	13.00	17.6	11.6	9.00	7.70	3.62	2.52
YHE18B21S	TM8E040A12MP11	14.5	CF24BBAA1	700	18.0	15.3	15.75	13.00	17.8	11.9	9.00	7.65	3.72	2.56
YHE18B21S	TM8E040A12MP11	14.5	CM18ABAA1	650	18.0	14.2	15.25	13.00	18.0	11.9	9.00	7.45	3.86	2.56
YHE18B21S	TM8E040A12MP11	14.5	CM24ABAA1	650	18.0	14.7	15.50	13.00	17.6	11.6	9.00	7.70	3.62	2.52
YHE18B21S	TM8E040A12MP11	14.5	CM24BBAA1	700	18.0	15.3	15.75	13.00	17.8	11.9	9.00	7.65	3.72	2.56
YHE18B21S	TM8E060A12MP11	14.5	CF/CM/CU18A	725	18.0	14.8	15.00	13.00	18.0	12.3	9.00	7.35	4.00	2.62
YHE18B21S	TM8E060A12MP11	14.5	CF/CM/CU24A	725	18.0	15.4	15.50	13.00	17.9	12.1	9.00	7.65	3.74	2.56
YHE18B21S	TM8E060A12MP11	14.5	CF18ABAA1	725	18.0	14.8	15.00	13.00	18.0	12.3	9.00	7.35	4.00	2.62
YHE18B21S	TM8E060A12MP11	14.5	CF24ABAA1	725	18.0	15.4	15.50	13.00	17.9	12.1	9.00	7.65	3.74	2.56
YHE18B21S	TM8E060A12MP11	14.5	CM18ABAA1	725	18.0	14.8	15.00	13.00	18.0	12.3	9.00	7.35	4.00	2.62
YHE18B21S	TM8E060A12MP11	14.5	CM24ABAA1	725	18.0	15.4	15.50	13.00	17.9	12.1	9.00	7.65	3.74	2.56
YHE18B21S	TM8E080B12MP11	17.5	CF/CM/CU18B	725	18.0	14.8	15.25	13.00	18.0	12.2	9.00	7.40	4.02	2.64
YHE18B21S	TM8E080B12MP11	17.5	CF/CM/CU24B	725	18.0	15.4	15.50	13.00	17.9	12.0	9.00	7.65	3.76	2.58
YHE18B21S	TM8E080B12MP11	17.5	CF18BBAA1	725	18.0	14.8	15.25	13.00	18.0	12.2	9.00	7.40	4.02	2.64
YHE18B21S	TM8E080B12MP11	17.5	CF24BBAA1	725	18.0	15.4	15.50	13.00	17.9	12.0	9.00	7.65	3.76	2.58
YHE18B21S	TM8E080B12MP11	17.5	CM24BBAA1	725	18.0	15.4	15.50	13.00	17.9	12.0	9.00	7.65	3.76	2.58
YHE18B21S	TM8E100B12MP11	17.5	CF/CM/CU18B	700	18.0	14.7	15.25	13.00	18.0	12.1	9.00	7.40	3.98	2.62
YHE18B21S	TM8E100B12MP11	17.5	CF/CM/CU24B	725	18.0	15.4	15.75	13.00	17.9	12.0	9.00	7.65	3.78	2.58
YHE18B21S	TM8E100B12MP11	17.5	CF/CM24C	725	18.0	15.4	15.75	13.00	17.8	12.0	9.00	7.65	3.78	2.58

SYSTEM CAPACITY - With High Efficiency Motor Furnaces¹

UNIT MODEL	FURNACE		COIL MODEL ²	COOLING					HEATING					
	MODEL	WIDTH		RATED CFM	NET MBH		SEER	EER	NET MBH		HSPF Region IV	HSPF Region V	COP	
					TOTAL	SENS.			47°F OD	17°F OD			47°F OD	17°F OD
YHE18B21S	TM8E100B12MP11	17.5	CF18BBAA1	700	18.0	14.7	15.25	13.00	18.0	12.1	9.00	7.40	3.98	2.62
YHE18B21S	TM8E100B12MP11	17.5	CF24BBAA1	725	18.0	15.4	15.75	13.00	17.9	12.0	9.00	7.65	3.78	2.58
YHE18B21S	TM8E100B12MP11	17.5	CM24BBAA1	725	18.0	15.4	15.75	13.00	17.9	12.0	9.00	7.65	3.78	2.58
YHE18B21S	TM8V060A12MP11C	14.5	CF/CM/CU18A	625	18.0	14.1	15.50	13.00	18.0	11.6	9.00	7.45	3.80	2.54
YHE18B21S	TM8V060A12MP11C	14.5	CF/CM/CU18B	625	18.0	14.1	15.75	13.00	18.0	11.6	9.00	7.50	3.82	2.54
YHE18B21S	TM8V060A12MP11C	14.5	CF/CM/CU24A	625	18.0	14.1	15.50	13.00	18.0	11.6	9.00	7.50	3.74	2.54
YHE18B21S	TM8V060A12MP11C	14.5	CF/CM/CU24B	625	18.0	14.1	15.75	13.00	18.0	11.6	9.00	7.50	3.76	2.56
YHE18B21S	TM8V060A12MP11C	14.5	CF18ABAA1	625	18.0	14.1	15.50	13.00	18.0	11.6	9.00	7.45	3.80	2.54
YHE18B21S	TM8V060A12MP11C	14.5	CF18BBAA1	625	18.0	14.1	15.75	13.00	18.0	11.6	9.00	7.50	3.82	2.54
YHE18B21S	TM8V060A12MP11C	14.5	CF24ABAA1	625	18.0	14.1	15.50	13.00	18.0	11.6	9.00	7.50	3.74	2.54
YHE18B21S	TM8V060A12MP11C	14.5	CF24BBAA1	625	18.0	14.1	15.75	13.00	18.0	11.6	9.00	7.50	3.76	2.56
YHE18B21S	TM8V060A12MP11C	14.5	CM18ABAA1	525	17.6	12.6	14.25	12.25	17.3	11.8	8.50	–	3.56	2.46
YHE18B21S	TM8V060A12MP11C	14.5	CM24ABAA1	625	18.0	14.1	15.50	13.00	18.0	11.6	9.00	7.50	3.74	2.54
YHE18B21S	TM8V060A12MP11C	14.5	CM24BBAA1	625	18.0	14.1	15.75	13.00	18.0	11.6	9.00	7.50	3.76	2.56
YHE18B21S	TM8V060A12MP12C	14.5	CF/CM/CU18A	625	18.0	14.1	15.50	13.00	18.0	11.6	9.00	7.45	3.80	2.54
YHE18B21S	TM8V060A12MP12C	14.5	CF/CM/CU18B	625	18.0	14.1	15.75	13.00	18.0	11.6	9.00	7.50	3.82	2.54
YHE18B21S	TM8V060A12MP12C	14.5	CF/CM/CU24A	625	18.0	14.1	15.50	13.00	18.0	11.6	9.00	7.50	3.74	2.54
YHE18B21S	TM8V060A12MP12C	14.5	CF/CM/CU24B	625	18.0	14.1	15.75	13.00	18.0	11.6	9.00	7.50	3.76	2.56
YHE18B21S	TM8V060A12MP12C	14.5	CF18ABAA1	625	18.0	14.1	15.50	13.00	18.0	11.6	9.00	7.45	3.80	2.54
YHE18B21S	TM8V060A12MP12C	14.5	CF18BBAA1	625	18.0	14.1	15.75	13.00	18.0	11.6	9.00	7.50	3.82	2.54
YHE18B21S	TM8V060A12MP12C	14.5	CF24ABAA1	625	18.0	14.1	15.50	13.00	18.0	11.6	9.00	7.50	3.74	2.54
YHE18B21S	TM8V060A12MP12C	14.5	CF24BBAA1	625	18.0	14.1	15.75	13.00	18.0	11.6	9.00	7.50	3.76	2.56
YHE18B21S	TM8V060A12MP12C	14.5	CM18ABAA1	625	18.0	14.1	15.50	13.00	18.0	11.6	9.00	7.45	3.80	2.54
YHE18B21S	TM8V060A12MP12C	14.5	CM24ABAA1	625	18.0	14.1	15.50	13.00	18.0	11.6	9.00	7.50	3.74	2.54
YHE18B21S	TM8V060A12MP12C	14.5	CM24BBAA1	625	18.0	14.1	15.75	13.00	18.0	11.6	9.00	7.50	3.76	2.56
YHE18B21S	TM8V080B12MP11C	17.5	CF/CM/CU18B	625	18.0	14.1	15.50	13.00	18.0	11.6	9.00	7.50	3.78	2.52
YHE18B21S	TM8V080B12MP11C	17.5	CF/CM/CU24B	625	18.0	14.1	15.50	13.00	18.0	11.6	9.00	7.55	3.74	2.54
YHE18B21S	TM8V080B12MP11C	17.5	CF/CM24C	625	18.0	14.1	15.50	13.00	18.0	11.6	9.00	7.50	3.74	2.54
YHE18B21S	TM8V080B12MP11C	17.5	CF18BBAA1	625	18.0	14.1	15.50	13.00	18.0	11.6	9.00	7.50	3.78	2.52
YHE18B21S	TM8V080B12MP11C	17.5	CF24BBAA1	675	18.0	14.5	14.75	12.50	17.5	11.8	8.50	–	3.82	2.54
YHE18B21S	TM8V080B12MP11C	17.5	CM24BBAA1	675	18.0	14.5	14.75	12.50	17.5	11.8	8.50	–	3.82	2.54
YHE18B21S	TM8V080B12MP12C	17.5	CF/CM/CU18B	625	18.0	14.1	15.50	13.00	18.0	11.6	9.00	7.50	3.78	2.52
YHE18B21S	TM8V080B12MP12C	17.5	CF/CM/CU24B	625	18.0	14.1	15.50	13.00	18.0	11.6	9.00	7.55	3.74	2.54
YHE18B21S	TM8V080B12MP12C	17.5	CF/CM/CU24C	625	18.0	14.1	15.50	13.00	18.0	11.6	9.00	7.50	3.74	2.54
YHE18B21S	TM8V080B12MP12C	17.5	CF/CM24C	625	18.0	14.1	15.50	13.00	18.0	11.6	9.00	7.50	3.74	2.54
YHE18B21S	TM8V080B12MP12C	17.5	CF18BBAA1	625	18.0	14.1	15.50	13.00	18.0	11.6	9.00	7.50	3.78	2.52
YHE18B21S	TM8V080B12MP12C	17.5	CF24BBAA1	625	18.0	14.1	15.50	13.00	18.0	11.6	9.00	7.55	3.74	2.54

SYSTEM CAPACITY - With High Efficiency Motor Furnaces¹

UNIT MODEL	FURNACE		COIL MODEL ²	COOLING					HEATING					
	MODEL	WIDTH		RATED CFM	NET MBH		SEER	EER	NET MBH		HSPF Region IV	HSPF Region V	COP	
					TOTAL	SENS.			47°F OD	17°F OD			47°F OD	17°F OD
YHE18B21S	TM8V080B12MP12C	17.5	CM24BBAA1	625	18.0	14.1	15.50	13.00	18.0	11.6	9.00	7.55	3.74	2.54
YHE18B21S	TM8X060A12MP11	14.5	CF/CM/CU18A	625	18.0	14.1	15.50	13.00	18.0	11.6	9.00	7.50	3.78	2.52
YHE18B21S	TM8X060A12MP11	14.5	CF/CM/CU18B	650	18.0	14.4	15.75	13.00	18.0	11.6	9.00	7.50	3.78	2.56
YHE18B21S	TM8X060A12MP11	14.5	CF/CM/CU24A	625	18.0	14.1	15.50	13.00	18.0	11.6	9.00	7.55	3.74	2.54
YHE18B21S	TM8X060A12MP11	14.5	CF/CM/CU24B	650	18.0	14.4	15.75	13.00	18.0	11.6	9.00	7.45	3.84	2.56
YHE18B21S	TM8X060A12MP11	14.5	CF18ABAA1	625	18.0	14.1	15.50	13.00	18.0	11.6	9.00	7.50	3.78	2.52
YHE18B21S	TM8X060A12MP11	14.5	CF18BBAA1	650	18.0	14.4	15.75	13.00	18.0	11.6	9.00	7.50	3.78	2.56
YHE18B21S	TM8X060A12MP11	14.5	CF24ABAA1	625	18.0	14.1	15.50	13.00	18.0	11.6	9.00	7.55	3.74	2.54
YHE18B21S	TM8X060A12MP11	14.5	CF24BBAA1	650	18.0	14.4	15.75	13.00	18.0	11.6	9.00	7.45	3.84	2.56
YHE18B21S	TM8X060A12MP11	14.5	CM18ABAA1	600	17.9	13.5	14.25	12.25	17.5	11.9	8.50	-	3.64	2.46
YHE18B21S	TM8X060A12MP11	14.5	CM24ABAA1	600	17.9	13.4	14.50	12.25	17.5	11.8	8.50	-	3.70	2.50
YHE18B21S	TM8X060A12MP11	14.5	CM24BBAA1	650	18.0	14.4	15.75	13.00	18.0	11.6	9.00	7.45	3.84	2.56
YHE18B21S	TM8X080B12MP11	17.5	CF/CM/CU18B	675	18.0	14.6	15.75	13.00	18.0	11.6	9.00	7.50	3.84	2.56
YHE18B21S	TM8X080B12MP11	17.5	CF/CM/CU24B	675	18.0	14.6	15.50	13.00	18.0	11.5	9.00	7.40	3.86	2.56
YHE18B21S	TM8X080B12MP11	17.5	CF/CM/CU24C	675	18.0	14.6	15.75	13.00	18.0	11.5	9.00	7.45	3.86	2.58
YHE18B21S	TM8X080B12MP11	17.5	CF/CM24C	675	18.0	14.6	15.75	13.00	18.0	11.5	9.00	7.45	3.86	2.58
YHE18B21S	TM8X080B12MP11	17.5	CF18BBAA1	675	18.0	14.6	15.75	13.00	18.0	11.6	9.00	7.50	3.84	2.56
YHE18B21S	TM8X080B12MP11	17.5	CF24BBAA1	675	18.0	14.6	15.50	13.00	18.0	11.5	9.00	7.40	3.86	2.56
YHE18B21S	TM8X080B12MP11	17.5	CM24BBAA1	600	18.0	13.4	14.50	12.25	17.5	11.8	8.50	-	3.70	2.50
YHE18B21S	TM8X080C16MP11	21.0	CF/CM24C	600	17.9	13.4	14.25	12.25	17.5	11.9	8.50	-	3.68	2.48
YHE18B21S	TM8X080C16MP11	21.0	CF/CM24C	600	17.9	13.4	14.25	12.25	17.5	11.9	8.50	-	3.68	2.48
YHE18B21S	TM8X100C16MP11	21.0	CF/CM24C	600	17.9	13.4	14.25	12.25	17.5	11.9	8.50	-	3.68	2.48
YHE18B21S	TM8X100C16MP11	21.0	CF/CM24C	600	17.9	13.4	14.25	12.25	17.5	11.9	8.50	-	3.68	2.48
YHE18B21S	TM8Y060A12MP11	14.5	CF/CM/CU18A	625	18.0	14.1	15.50	13.00	18.0	11.6	9.00	7.50	3.78	2.52
YHE18B21S	TM8Y060A12MP11	14.5	CF/CM/CU18B	650	18.0	14.4	15.75	13.00	18.0	11.6	9.00	7.50	3.78	2.56
YHE18B21S	TM8Y060A12MP11	14.5	CF/CM/CU24A	625	18.0	14.1	15.50	13.00	18.0	11.6	9.00	7.55	3.74	2.54
YHE18B21S	TM8Y060A12MP11	14.5	CF/CM/CU24B	650	18.0	14.4	15.75	13.00	18.0	11.6	9.00	7.45	3.84	2.56
YHE18B21S	TM8Y060A12MP11	14.5	CF18ABAA1	625	18.0	14.1	15.50	13.00	18.0	11.6	9.00	7.50	3.78	2.52
YHE18B21S	TM8Y060A12MP11	14.5	CF18BBAA1	650	18.0	14.4	15.75	13.00	18.0	11.6	9.00	7.50	3.78	2.56
YHE18B21S	TM8Y060A12MP11	14.5	CF24ABAA1	625	18.0	14.1	15.50	13.00	18.0	11.6	9.00	7.55	3.74	2.54
YHE18B21S	TM8Y060A12MP11	14.5	CF24BBAA1	650	18.0	14.4	15.75	13.00	18.0	11.6	9.00	7.45	3.84	2.56
YHE18B21S	TM8Y060A12MP11	14.5	CM18ABAA1	600	17.9	13.5	14.25	12.25	17.5	11.9	8.50	-	3.64	2.46
YHE18B21S	TM8Y060A12MP11	14.5	CM24ABAA1	600	17.9	13.4	14.50	12.25	17.5	11.8	8.50	-	3.70	2.50
YHE18B21S	TM8Y060A12MP11	14.5	CM24BBAA1	650	18.0	14.4	15.75	13.00	18.0	11.6	9.00	7.45	3.84	2.56
YHE18B21S	TM8Y080B12MP11	17.5	CF/CM/CU18B	675	18.0	14.6	15.75	13.00	18.0	11.6	9.00	7.50	3.84	2.56
YHE18B21S	TM8Y080B12MP11	17.5	CF/CM/CU24B	675	18.0	14.6	15.50	13.00	18.0	11.5	9.00	7.40	3.86	2.56
YHE18B21S	TM8Y080B12MP11	17.5	CF/CM/CU24C	675	18.0	14.6	15.75	13.00	18.0	11.5	9.00	7.45	3.86	2.58

SYSTEM CAPACITY - With High Efficiency Motor Furnaces¹

UNIT MODEL	FURNACE		COIL MODEL ²	COOLING					HEATING					
	MODEL	WIDTH		RATED CFM	NET MBH		SEER	EER	NET MBH		HSPF Region IV	HSPF Region V	COP	
					TOTAL	SENS.			47°F OD	17°F OD			47°F OD	17°F OD
YHE18B21S	TM8Y080B12MP11	17.5	CF/CM24C	675	18.0	14.6	15.75	13.00	18.0	11.5	9.00	7.45	3.86	2.58
YHE18B21S	TM8Y080B12MP11	17.5	CF18BBAA1	675	18.0	14.6	15.75	13.00	18.0	11.6	9.00	7.50	3.84	2.56
YHE18B21S	TM8Y080B12MP11	17.5	CF24BBAA1	675	18.0	14.6	15.50	13.00	18.0	11.5	9.00	7.40	3.86	2.56
YHE18B21S	TM8Y080B12MP11	17.5	CM24BBAA1	600	18.0	13.4	14.50	12.25	17.5	11.8	8.50	–	3.70	2.50
YHE18B21S	TM8Y080C16MP11	21.0	CF/CM24C	600	17.9	13.4	14.25	12.25	17.5	11.9	8.50	–	3.68	2.48
YHE18B21S	TM8Y080C16MP11	21.0	CF/CM24C	600	17.9	13.4	14.25	12.25	17.5	11.9	8.50	–	3.68	2.48
YHE18B21S	TM8Y100C16MP11	21.0	CF/CM24C	600	17.9	13.4	14.25	12.25	17.5	11.9	8.50	–	3.68	2.48
YHE18B21S	TM8Y100C16MP11	21.0	CF/CM24C	600	17.9	13.4	14.25	12.25	17.5	11.9	8.50	–	3.68	2.48
YHE18B21S	TM9E040A10MP11	14.5	CF/CM/CU18A	500	18.0	12.9	15.00	12.75	18.0	11.7	8.75	7.45	3.50	2.46
YHE18B21S	TM9E040A10MP11	14.5	CF/CM/CU18B	525	18.0	13.6	15.25	13.00	18.1	11.7	8.75	7.45	3.56	2.50
YHE18B21S	TM9E040A10MP11	14.5	CF/CM/CU24A	500	18.0	12.8	14.75	12.25	18.0	11.7	8.75	7.40	3.52	2.46
YHE18B21S	TM9E040A10MP11	14.5	CF/CM/CU24B	525	18.0	13.1	15.00	12.50	18.0	11.7	8.75	7.35	3.60	2.50
YHE18B21S	TM9E040A10MP11	14.5	CF18ABAA1	500	18.0	12.9	15.00	12.75	18.0	11.7	8.75	7.45	3.50	2.46
YHE18B21S	TM9E040A10MP11	14.5	CF18BBAA1	525	18.0	13.6	15.25	13.00	18.1	11.7	8.75	7.45	3.56	2.50
YHE18B21S	TM9E040A10MP11	14.5	CF24ABAA1	500	18.0	12.8	14.75	12.25	18.0	11.7	8.75	7.40	3.52	2.46
YHE18B21S	TM9E040A10MP11	14.5	CF24BBAA1	525	18.0	13.1	15.00	12.50	18.0	11.7	8.75	7.35	3.60	2.50
YHE18B21S	TM9E040A10MP11	14.5	CM18ABAA1	600	17.9	13.5	14.50	12.50	17.5	11.9	8.50	–	3.68	2.48
YHE18B21S	TM9E040A10MP11	14.5	CM24ABAA1	575	18.0	13.5	14.50	12.50	17.5	11.8	8.50	–	3.72	2.52
YHE18B21S	TM9E040A10MP11	14.5	CM24BBAA1	525	18.0	13.1	15.00	12.50	18.0	11.7	8.75	7.35	3.60	2.50
YHE18B21S	TM9E040A10MP12	14.5	CF/CM/CU18A	600	18.0	13.5	14.75	12.75	18.0	11.7	9.00	7.55	3.70	2.48
YHE18B21S	TM9E040A10MP12	14.5	CF/CM/CU18B	625	18.0	13.8	14.75	12.75	18.0	11.8	9.00	7.50	3.76	2.52
YHE18B21S	TM9E040A10MP12	14.5	CF/CM/CU24A	600	18.0	14.1	15.00	13.00	17.6	11.5	8.50	7.30	3.46	2.44
YHE18B21S	TM9E040A10MP12	14.5	CF/CM/CU24B	625	18.0	14.4	15.25	13.00	17.6	11.6	8.75	7.50	3.52	2.46
YHE18B21S	TM9E040A10MP12	14.5	CF18ABAA1	600	18.0	13.5	14.75	12.75	18.0	11.7	9.00	7.55	3.70	2.48
YHE18B21S	TM9E040A10MP12	14.5	CF18BBAA1	625	18.0	13.8	14.75	12.75	18.0	11.8	9.00	7.50	3.76	2.52
YHE18B21S	TM9E040A10MP12	14.5	CF24ABAA1	600	18.0	14.1	15.00	13.00	17.6	11.5	8.50	7.30	3.46	2.44
YHE18B21S	TM9E040A10MP12	14.5	CF24BBAA1	625	18.0	14.4	15.25	13.00	17.6	11.6	8.75	7.50	3.52	2.46
YHE18B21S	TM9E040A10MP12	14.5	CM18ABAA1	600	18.0	13.5	14.75	12.75	18.0	11.7	9.00	7.55	3.70	2.48
YHE18B21S	TM9E040A10MP12	14.5	CM24ABAA1	600	18.0	14.1	15.00	13.00	17.6	11.5	8.50	7.30	3.46	2.44
YHE18B21S	TM9E040A10MP12	14.5	CM24BBAA1	625	18.0	14.4	15.25	13.00	17.6	11.6	8.75	7.50	3.52	2.46
YHE18B21S	TM9E060A10MP12	14.5	CF/CM/CU18A	675	18.0	14.3	14.75	12.75	18.0	12.1	9.00	7.45	3.86	2.56
YHE18B21S	TM9E060A10MP12	14.5	CF/CM/CU18B	700	18.0	14.6	15.00	12.75	18.0	12.2	9.00	7.40	3.92	2.60
YHE18B21S	TM9E060A10MP12	14.5	CF/CM/CU24A	675	18.0	14.9	15.25	13.00	17.8	11.9	9.00	7.70	3.60	2.50
YHE18B21S	TM9E060A10MP12	14.5	CF/CM/CU24B	700	18.0	15.2	15.25	13.00	17.9	12.0	9.00	7.70	3.68	2.54
YHE18B21S	TM9E060A10MP12	14.5	CF18ABAA1	675	18.0	14.3	14.75	12.75	18.0	12.1	9.00	7.45	3.86	2.56
YHE18B21S	TM9E060A10MP12	14.5	CF18BBAA1	700	18.0	14.6	15.00	12.75	18.0	12.2	9.00	7.40	3.92	2.60
YHE18B21S	TM9E060A10MP12	14.5	CF24ABAA1	675	18.0	14.9	15.25	13.00	17.8	11.9	9.00	7.70	3.60	2.50

SYSTEM CAPACITY - With High Efficiency Motor Furnaces¹

UNIT MODEL	FURNACE		COIL MODEL ²	COOLING					HEATING					
	MODEL	WIDTH		RATED CFM	NET MBH		SEER	EER	NET MBH		HSPF Region IV	HSPF Region V	COP	
					TOTAL	SENS.			47°F OD	17°F OD			47°F OD	17°F OD
YHE18B21S	TM9E060A10MP12	14.5	CF24BBAA1	700	18.0	15.2	15.25	13.00	17.9	12.0	9.00	7.70	3.68	2.54
YHE18B21S	TM9E060A10MP12	14.5	CM18ABAA1	675	18.0	14.3	14.75	12.75	18.0	12.1	9.00	7.45	3.86	2.56
YHE18B21S	TM9E060A10MP12	14.5	CM24ABAA1	675	18.0	14.9	15.25	13.00	17.8	11.9	9.00	7.70	3.60	2.50
YHE18B21S	TM9E060A10MP12	14.5	CM24BBAA1	700	18.0	15.2	15.25	13.00	17.9	12.0	9.00	7.70	3.68	2.54
YHE18B21S	TM9E060B12MP11	17.5	CF/CM/CU24B	600	17.9	13.4	14.25	12.25	17.5	11.9	8.50	–	3.66	2.48
YHE18B21S	TM9E060B12MP11	17.5	CF24BBAA1	600	17.9	13.4	14.25	12.25	17.5	11.9	8.50	–	3.66	2.48
YHE18B21S	TM9E060B12MP11	17.5	CM24BBAA1	600	17.9	13.4	14.25	12.25	17.5	11.9	8.50	–	3.66	2.48
YHE18B21S	TM9E080B12MP11	17.5	CF/CM/CU18B	700	18.0	14.9	15.75	13.00	18.0	11.6	9.00	7.45	3.86	2.56
YHE18B21S	TM9E080B12MP11	17.5	CF/CM/CU24B	700	18.0	14.9	15.50	13.00	18.0	11.6	9.00	7.45	3.84	2.56
YHE18B21S	TM9E080B12MP11	17.5	CF/CM/CU24C	700	18.0	14.9	15.50	13.00	18.0	11.6	9.00	7.40	3.84	2.56
YHE18B21S	TM9E080B12MP11	17.5	CF/CM24C	700	18.0	14.9	15.50	13.00	18.0	11.6	9.00	7.40	3.84	2.56
YHE18B21S	TM9E080B12MP11	17.5	CF18BBAA1	700	18.0	14.9	15.75	13.00	18.0	11.6	9.00	7.45	3.86	2.56
YHE18B21S	TM9E080B12MP11	17.5	CF24BBAA1	700	18.0	14.9	15.50	13.00	18.0	11.6	9.00	7.45	3.84	2.56
YHE18B21S	TM9E080B12MP11	17.5	CM24BBAA1	600	17.9	13.4	14.25	12.25	17.5	11.9	8.50	–	3.66	2.48
YHE18B21S	TM9E080C16MP11	21.0	CF/CM24C	600	18.0	13.5	14.75	12.50	17.5	11.8	8.75	–	3.76	2.54
YHE18B21S	TM9E100C16MP11	21.0	CF/CM24C	600	18.0	13.5	14.75	12.50	17.5	11.8	8.75	–	3.76	2.54
YHE18B21S	TM9E100C16MP11	21.0	CF/CM24C	600	18.0	13.5	14.75	12.50	17.5	11.8	8.75	–	3.76	2.54
YHE18B21S	TM9V060B12MP11C	17.5	CF/CM/CU24B	575	18.0	13.5	15.00	12.75	17.5	11.7	8.75	–	3.80	2.56
YHE18B21S	TM9V060B12MP11C	17.5	CF24BBAA1	575	18.0	13.5	15.00	12.75	17.5	11.7	8.75	–	3.80	2.56
YHE18B21S	TM9V060B12MP11C	17.5	CM24BBAA1	575	18.0	13.5	15.00	12.75	17.5	11.7	8.75	–	3.80	2.56
YHE18B21S	TM9V060B12MP12C	17.5	CF/CM/CU18B	600	18.0	13.9	15.50	13.00	18.0	11.6	9.00	7.55	3.76	2.52
YHE18B21S	TM9V060B12MP12C	17.5	CF/CM/CU24B	600	18.0	13.9	15.50	13.00	18.0	11.6	9.00	7.55	3.74	2.54
YHE18B21S	TM9V060B12MP12C	17.5	CF/CM/CU24C	600	18.0	13.9	15.50	13.00	18.0	11.6	9.00	7.50	3.76	2.54
YHE18B21S	TM9V060B12MP12C	17.5	CF/CM24C	600	18.0	13.9	15.50	13.00	18.0	11.6	9.00	7.50	3.76	2.54
YHE18B21S	TM9V060B12MP12C	17.5	CF18BBAA1	600	18.0	13.9	15.50	13.00	18.0	11.6	9.00	7.55	3.76	2.52
YHE18B21S	TM9V060B12MP12C	17.5	CF24BBAA1	600	18.0	13.9	15.50	13.00	18.0	11.6	9.00	7.55	3.74	2.54
YHE18B21S	TM9V060B12MP12C	17.5	CM24BBAA1	600	18.0	13.9	15.50	13.00	18.0	11.6	9.00	7.55	3.74	2.54
YHE18B21S	TM9V080B12MP11C	17.5	CF/CM/CU18B	625	18.0	14.1	15.75	13.00	18.0	11.6	9.00	7.50	3.80	2.54
YHE18B21S	TM9V080B12MP11C	17.5	CF/CM/CU24B	625	18.0	14.1	15.50	13.00	18.0	11.6	9.00	7.50	3.76	2.56
YHE18B21S	TM9V080B12MP11C	17.5	CF/CM24C	625	18.0	14.1	15.75	13.00	18.0	11.5	9.00	7.45	3.78	2.56
YHE18B21S	TM9V080B12MP11C	17.5	CF18BBAA1	625	18.0	14.1	15.75	13.00	18.0	11.6	9.00	7.50	3.80	2.54
YHE18B21S	TM9V080B12MP11C	17.5	CF24BBAA1	575	18.0	13.5	15.00	12.75	17.5	11.7	8.75	–	3.80	2.56
YHE18B21S	TM9V080B12MP11C	17.5	CM24BBAA1	575	18.0	13.5	15.00	12.75	17.5	11.7	8.75	–	3.80	2.56
YHE18B21S	TM9V080B12MP12C	17.5	CF/CM/CU18B	625	18.0	14.1	15.75	13.00	18.0	11.6	9.00	7.50	3.80	2.54
YHE18B21S	TM9V080B12MP12C	17.5	CF/CM/CU24B	625	18.0	14.1	15.50	13.00	18.0	11.6	9.00	7.50	3.76	2.56
YHE18B21S	TM9V080B12MP12C	17.5	CF/CM/CU24C	625	18.0	14.1	15.75	13.00	18.0	11.5	9.00	7.45	3.78	2.56
YHE18B21S	TM9V080B12MP12C	17.5	CF/CM24C	625	18.0	14.1	15.75	13.00	18.0	11.5	9.00	7.45	3.78	2.56

SYSTEM CAPACITY - With High Efficiency Motor Furnaces¹

UNIT MODEL	FURNACE		COIL MODEL ²	COOLING					HEATING					
	MODEL	WIDTH		RATED CFM	NET MBH		SEER	EER	NET MBH		HSPF Region IV	HSPF Region V	COP	
					TOTAL	SENS.			47°F OD	17°F OD			47°F OD	17°F OD
YHE18B21S	TM9V080B12MP12C	17.5	CF18BBAA1	625	18.0	14.1	15.75	13.00	18.0	11.6	9.00	7.50	3.80	2.54
YHE18B21S	TM9V080B12MP12C	17.5	CF24BBAA1	625	18.0	14.1	15.50	13.00	18.0	11.6	9.00	7.50	3.76	2.56
YHE18B21S	TM9V080B12MP12C	17.5	CM24BBAA1	625	18.0	14.1	15.50	13.00	18.0	11.6	9.00	7.50	3.76	2.56
YHE18B21S	TM9Y040A10MP11	14.5	CF/CM/CU18A	500	18.0	12.9	15.00	12.75	18.0	11.7	8.75	7.45	3.50	2.46
YHE18B21S	TM9Y040A10MP11	14.5	CF/CM/CU18B	525	18.0	13.6	15.25	13.00	18.1	11.7	8.75	7.45	3.56	2.50
YHE18B21S	TM9Y040A10MP11	14.5	CF/CM/CU24A	500	18.0	12.8	14.75	12.25	18.0	11.7	8.75	7.40	3.52	2.46
YHE18B21S	TM9Y040A10MP11	14.5	CF/CM/CU24B	525	18.0	13.1	15.00	12.50	18.0	11.7	8.75	7.35	3.60	2.50
YHE18B21S	TM9Y040A10MP11	14.5	CF18ABAA1	500	18.0	12.9	15.00	12.75	18.0	11.7	8.75	7.45	3.50	2.46
YHE18B21S	TM9Y040A10MP11	14.5	CF18BBAA1	525	18.0	13.6	15.25	13.00	18.1	11.7	8.75	7.45	3.56	2.50
YHE18B21S	TM9Y040A10MP11	14.5	CF24ABAA1	500	18.0	12.8	14.75	12.25	18.0	11.7	8.75	7.40	3.52	2.46
YHE18B21S	TM9Y040A10MP11	14.5	CF24BBAA1	525	18.0	13.1	15.00	12.50	18.0	11.7	8.75	7.35	3.60	2.50
YHE18B21S	TM9Y040A10MP11	14.5	CM18ABAA1	600	17.9	13.5	14.50	12.50	17.5	11.9	8.50	-	3.68	2.48
YHE18B21S	TM9Y040A10MP11	14.5	CM24ABAA1	575	18.0	13.5	14.50	12.50	17.5	11.8	8.50	-	3.72	2.52
YHE18B21S	TM9Y040A10MP11	14.5	CM24BBAA1	525	18.0	13.1	15.00	12.50	18.0	11.7	8.75	7.35	3.60	2.50
YHE18B21S	TM9Y060B12MP11	17.5	CF/CM/CU24B	600	17.9	13.4	14.25	12.25	17.5	11.9	8.50	-	3.66	2.48
YHE18B21S	TM9Y060B12MP11	17.5	CF24BBAA1	600	17.9	13.4	14.25	12.25	17.5	11.9	8.50	-	3.66	2.48
YHE18B21S	TM9Y060B12MP11	17.5	CM24BBAA1	600	17.9	13.4	14.25	12.25	17.5	11.9	8.50	-	3.66	2.48
YHE18B21S	TM9Y080B12MP11	17.5	CF/CM/CU18B	700	18.0	14.9	15.75	13.00	18.0	11.6	9.00	7.45	3.86	2.56
YHE18B21S	TM9Y080B12MP11	17.5	CF/CM/CU24B	700	18.0	14.9	15.50	13.00	18.0	11.6	9.00	7.45	3.84	2.56
YHE18B21S	TM9Y080B12MP11	17.5	CF/CM/CU24C	700	18.0	14.9	15.50	13.00	18.0	11.6	9.00	7.40	3.84	2.56
YHE18B21S	TM9Y080B12MP11	17.5	CF/CM24C	700	18.0	14.9	15.50	13.00	18.0	11.6	9.00	7.40	3.84	2.56
YHE18B21S	TM9Y080B12MP11	17.5	CF18BBAA1	700	18.0	14.9	15.75	13.00	18.0	11.6	9.00	7.45	3.86	2.56
YHE18B21S	TM9Y080B12MP11	17.5	CF24BBAA1	700	18.0	14.9	15.50	13.00	18.0	11.6	9.00	7.45	3.84	2.56
YHE18B21S	TM9Y080B12MP11	17.5	CM24BBAA1	600	17.9	13.4	14.25	12.25	17.5	11.9	8.50	-	3.66	2.48
YHE18B21S	TM9Y080C16MP11	21.0	CF/CM24C	600	18.0	13.5	14.75	12.50	17.5	11.8	8.75	-	3.76	2.54
YHE18B21S	TM9Y100C16MP11	21.0	CF/CM24C	600	18.0	13.5	14.75	12.50	17.5	11.8	8.75	-	3.76	2.54
YHE18B21S	TM9Y100C16MP11	21.0	CF/CM24C	600	18.0	13.5	14.75	12.50	17.5	11.8	8.75	-	3.76	2.54
YHE18B21S	TMLE040A12MP11	14.5	CF/CM/CU18A	650	18.0	14.2	15.25	13.00	18.0	11.9	9.00	7.45	3.86	2.56
YHE18B21S	TMLE040A12MP11	14.5	CF/CM/CU18B	675	18.0	14.4	15.25	13.00	18.0	12.0	9.00	7.40	3.92	2.60
YHE18B21S	TMLE040A12MP11	14.5	CF/CM/CU24A	650	18.0	14.7	15.50	13.00	17.6	11.6	9.00	7.70	3.62	2.52
YHE18B21S	TMLE040A12MP11	14.5	CF/CM/CU24B	700	18.0	15.3	15.75	13.00	17.8	11.9	9.00	7.65	3.72	2.56
YHE18B21S	TMLE040A12MP11	14.5	CF18ABAA1	650	18.0	14.2	15.25	13.00	18.0	11.9	9.00	7.45	3.86	2.56
YHE18B21S	TMLE040A12MP11	14.5	CF18BBAA1	675	18.0	14.4	15.25	13.00	18.0	12.0	9.00	7.40	3.92	2.60
YHE18B21S	TMLE040A12MP11	14.5	CF24ABAA1	650	18.0	14.7	15.50	13.00	17.6	11.6	9.00	7.70	3.62	2.52
YHE18B21S	TMLE040A12MP11	14.5	CF24BBAA1	700	18.0	15.3	15.75	13.00	17.8	11.9	9.00	7.65	3.72	2.56
YHE18B21S	TMLE040A12MP11	14.5	CM18ABAA1	650	18.0	14.2	15.25	13.00	18.0	11.9	9.00	7.45	3.86	2.56
YHE18B21S	TMLE040A12MP11	14.5	CM24ABAA1	650	18.0	14.7	15.50	13.00	17.6	11.6	9.00	7.70	3.62	2.52

SYSTEM CAPACITY - With High Efficiency Motor Furnaces¹

UNIT MODEL	FURNACE		COIL MODEL ²	COOLING					HEATING					
	MODEL	WIDTH		RATED CFM	NET MBH		SEER	EER	NET MBH		HSPF Region IV	HSPF Region V	COP	
					TOTAL	SENS.			47°F OD	17°F OD			47°F OD	17°F OD
YHE18B21S	TMLE040A12MP11	14.5	CM24BBAA1	700	18.0	15.3	15.75	13.00	17.8	11.9	9.00	7.65	3.72	2.56
YHE18B21S	TMLE060A12MP11	14.5	CF/CM/CU18A	725	18.0	14.8	15.00	13.00	18.0	12.3	9.00	7.35	4.00	2.62
YHE18B21S	TMLE060A12MP11	14.5	CF/CM/CU24A	725	18.0	15.4	15.50	13.00	17.9	12.1	9.00	7.65	3.74	2.56
YHE18B21S	TMLE060A12MP11	14.5	CF18ABAA1	725	18.0	14.8	15.00	13.00	18.0	12.3	9.00	7.35	4.00	2.62
YHE18B21S	TMLE060A12MP11	14.5	CF24ABAA1	725	18.0	15.4	15.50	13.00	17.9	12.1	9.00	7.65	3.74	2.56
YHE18B21S	TMLE060A12MP11	14.5	CM18ABAA1	725	18.0	14.8	15.00	13.00	18.0	12.3	9.00	7.35	4.00	2.62
YHE18B21S	TMLE060A12MP11	14.5	CM24ABAA1	725	18.0	15.4	15.50	13.00	17.9	12.1	9.00	7.65	3.74	2.56
YHE18B21S	TMLE080B12MP11	17.5	CF/CM/CU18B	725	18.0	14.8	15.25	13.00	18.0	12.2	9.00	7.40	4.02	2.64
YHE18B21S	TMLE080B12MP11	17.5	CF/CM/CU24B	725	18.0	15.4	15.50	13.00	17.9	12.0	9.00	7.65	3.76	2.58
YHE18B21S	TMLE080B12MP11	17.5	CF18BBAA1	725	18.0	14.8	15.25	13.00	18.0	12.2	9.00	7.40	4.02	2.64
YHE18B21S	TMLE080B12MP11	17.5	CF24BBAA1	725	18.0	15.4	15.50	13.00	17.9	12.0	9.00	7.65	3.76	2.58
YHE18B21S	TMLE080B12MP11	17.5	CM24BBAA1	725	18.0	15.4	15.50	13.00	17.9	12.0	9.00	7.65	3.76	2.58
YHE18B21S	TMLE100B12MP11	17.5	CF/CM/CU18B	700	18.0	14.7	15.25	13.00	18.0	12.1	9.00	7.40	3.98	2.62
YHE18B21S	TMLE100B12MP11	17.5	CF/CM/CU24B	725	18.0	15.4	15.75	13.00	17.9	12.0	9.00	7.65	3.78	2.58
YHE18B21S	TMLE100B12MP11	17.5	CF/CM24C	725	18.0	15.4	15.75	13.00	17.8	12.0	9.00	7.65	3.78	2.58
YHE18B21S	TMLE100B12MP11	17.5	CF18BBAA1	700	18.0	14.7	15.25	13.00	18.0	12.1	9.00	7.40	3.98	2.62
YHE18B21S	TMLE100B12MP11	17.5	CF24BBAA1	725	18.0	15.4	15.75	13.00	17.9	12.0	9.00	7.65	3.78	2.58
YHE18B21S	TMLE100B12MP11	17.5	CM24BBAA1	725	18.0	15.4	15.75	13.00	17.9	12.0	9.00	7.65	3.78	2.58
YHE18B21S	TMLV060A12MP11C	14.5	CF/CM/CU18A	625	18.0	14.1	15.50	13.00	18.0	11.6	9.00	7.45	3.80	2.54
YHE18B21S	TMLV060A12MP11C	14.5	CF/CM/CU18B	625	18.0	14.1	15.75	13.00	18.0	11.6	9.00	7.50	3.82	2.54
YHE18B21S	TMLV060A12MP11C	14.5	CF/CM/CU24A	625	18.0	14.1	15.50	13.00	18.0	11.6	9.00	7.50	3.74	2.54
YHE18B21S	TMLV060A12MP11C	14.5	CF/CM/CU24B	625	18.0	14.1	15.75	13.00	18.0	11.6	9.00	7.50	3.76	2.56
YHE18B21S	TMLV060A12MP11C	14.5	CF18ABAA1	625	18.0	14.1	15.50	13.00	18.0	11.6	9.00	7.45	3.80	2.54
YHE18B21S	TMLV060A12MP11C	14.5	CF18BBAA1	625	18.0	14.1	15.75	13.00	18.0	11.6	9.00	7.50	3.82	2.54
YHE18B21S	TMLV060A12MP11C	14.5	CF24ABAA1	625	18.0	14.1	15.50	13.00	18.0	11.6	9.00	7.50	3.74	2.54
YHE18B21S	TMLV060A12MP11C	14.5	CF24BBAA1	625	18.0	14.1	15.75	13.00	18.0	11.6	9.00	7.50	3.76	2.56
YHE18B21S	TMLV060A12MP11C	14.5	CM18ABAA1	525	17.6	12.6	14.25	12.25	17.3	11.8	8.50	–	3.56	2.46
YHE18B21S	TMLV060A12MP11C	14.5	CM24ABAA1	625	18.0	14.1	15.50	13.00	18.0	11.6	9.00	7.50	3.74	2.54
YHE18B21S	TMLV060A12MP11C	14.5	CM24BBAA1	625	18.0	14.1	15.75	13.00	18.0	11.6	9.00	7.50	3.76	2.56
YHE18B21S	TMLV060A12MP12C	14.5	CF/CM/CU18A	625	18.0	14.1	15.50	13.00	18.0	11.6	9.00	7.45	3.80	2.54
YHE18B21S	TMLV060A12MP12C	14.5	CF/CM/CU18B	625	18.0	14.1	15.75	13.00	18.0	11.6	9.00	7.50	3.82	2.54
YHE18B21S	TMLV060A12MP12C	14.5	CF/CM/CU24A	625	18.0	14.1	15.50	13.00	18.0	11.6	9.00	7.50	3.74	2.54
YHE18B21S	TMLV060A12MP12C	14.5	CF/CM/CU24B	625	18.0	14.1	15.75	13.00	18.0	11.6	9.00	7.50	3.76	2.56
YHE18B21S	TMLV060A12MP12C	14.5	CF18ABAA1	625	18.0	14.1	15.50	13.00	18.0	11.6	9.00	7.45	3.80	2.54
YHE18B21S	TMLV060A12MP12C	14.5	CF18BBAA1	625	18.0	14.1	15.75	13.00	18.0	11.6	9.00	7.50	3.82	2.54
YHE18B21S	TMLV060A12MP12C	14.5	CF24ABAA1	625	18.0	14.1	15.50	13.00	18.0	11.6	9.00	7.50	3.74	2.54
YHE18B21S	TMLV060A12MP12C	14.5	CF24BBAA1	625	18.0	14.1	15.75	13.00	18.0	11.6	9.00	7.50	3.76	2.56

SYSTEM CAPACITY - With High Efficiency Motor Furnaces¹

UNIT MODEL	FURNACE		COIL MODEL ²	COOLING					HEATING					
	MODEL	WIDTH		RATED CFM	NET MBH		SEER	EER	NET MBH		HSPF Region IV	HSPF Region V	COP	
					TOTAL	SENS.			47°F OD	17°F OD			47°F OD	17°F OD
YHE18B21S	TMLV060A12MP12C	14.5	CM18ABAA1	625	18.0	14.1	15.50	13.00	18.0	11.6	9.00	7.45	3.80	2.54
YHE18B21S	TMLV060A12MP12C	14.5	CM24ABAA1	625	18.0	14.1	15.50	13.00	18.0	11.6	9.00	7.50	3.74	2.54
YHE18B21S	TMLV060A12MP12C	14.5	CM24BBAA1	625	18.0	14.1	15.75	13.00	18.0	11.6	9.00	7.50	3.76	2.56
YHE18B21S	TMLV080B12MP11C	17.5	CF/CM/CU18B	625	18.0	14.1	15.50	13.00	18.0	11.6	9.00	7.50	3.78	2.52
YHE18B21S	TMLV080B12MP11C	17.5	CF/CM/CU24B	625	18.0	14.1	15.50	13.00	18.0	11.6	9.00	7.55	3.74	2.54
YHE18B21S	TMLV080B12MP11C	17.5	CF/CM24C	625	18.0	14.1	15.50	13.00	18.0	11.6	9.00	7.50	3.74	2.54
YHE18B21S	TMLV080B12MP11C	17.5	CF18BBAA1	625	18.0	14.1	15.50	13.00	18.0	11.6	9.00	7.50	3.78	2.52
YHE18B21S	TMLV080B12MP11C	17.5	CF24BBAA1	675	18.0	14.5	14.75	12.50	17.5	11.8	8.50	-	3.82	2.54
YHE18B21S	TMLV080B12MP11C	17.5	CM24BBAA1	675	18.0	14.5	14.75	12.50	17.5	11.8	8.50	-	3.82	2.54
YHE18B21S	TMLV080B12MP12C	17.5	CF/CM/CU18B	625	18.0	14.1	15.50	13.00	18.0	11.6	9.00	7.50	3.78	2.52
YHE18B21S	TMLV080B12MP12C	17.5	CF/CM/CU24B	625	18.0	14.1	15.50	13.00	18.0	11.6	9.00	7.55	3.74	2.54
YHE18B21S	TMLV080B12MP12C	17.5	CF/CM/CU24C	625	18.0	14.1	15.50	13.00	18.0	11.6	9.00	7.50	3.74	2.54
YHE18B21S	TMLV080B12MP12C	17.5	CF/CM24C	625	18.0	14.1	15.50	13.00	18.0	11.6	9.00	7.50	3.74	2.54
YHE18B21S	TMLV080B12MP12C	17.5	CF18BBAA1	625	18.0	14.1	15.50	13.00	18.0	11.6	9.00	7.50	3.78	2.52
YHE18B21S	TMLV080B12MP12C	17.5	CF24BBAA1	625	18.0	14.1	15.50	13.00	18.0	11.6	9.00	7.55	3.74	2.54
YHE18B21S	TMLV080B12MP12C	17.5	CM24BBAA1	625	18.0	14.1	15.50	13.00	18.0	11.6	9.00	7.55	3.74	2.54
YHE18B21S	TMLX060A12MP11	14.5	CF/CM/CU18A	625	18.0	14.1	15.50	13.00	18.0	11.6	9.00	7.50	3.78	2.52
YHE18B21S	TMLX060A12MP11	14.5	CF/CM/CU18B	650	18.0	14.4	15.75	13.00	18.0	11.6	9.00	7.50	3.78	2.56
YHE18B21S	TMLX060A12MP11	14.5	CF/CM/CU24A	625	18.0	14.1	15.50	13.00	18.0	11.6	9.00	7.55	3.74	2.54
YHE18B21S	TMLX060A12MP11	14.5	CF/CM/CU24B	650	18.0	14.4	15.75	13.00	18.0	11.6	9.00	7.45	3.84	2.56
YHE18B21S	TMLX060A12MP11	14.5	CF18ABAA1	625	18.0	14.1	15.50	13.00	18.0	11.6	9.00	7.50	3.78	2.52
YHE18B21S	TMLX060A12MP11	14.5	CF18BBAA1	650	18.0	14.4	15.75	13.00	18.0	11.6	9.00	7.50	3.78	2.56
YHE18B21S	TMLX060A12MP11	14.5	CF24ABAA1	625	18.0	14.1	15.50	13.00	18.0	11.6	9.00	7.55	3.74	2.54
YHE18B21S	TMLX060A12MP11	14.5	CF24BBAA1	650	18.0	14.4	15.75	13.00	18.0	11.6	9.00	7.45	3.84	2.56
YHE18B21S	TMLX060A12MP11	14.5	CM18ABAA1	600	17.9	13.5	14.25	12.25	17.5	11.9	8.50	-	3.64	2.46
YHE18B21S	TMLX060A12MP11	14.5	CM24ABAA1	600	17.9	13.4	14.50	12.25	17.5	11.8	8.50	-	3.70	2.50
YHE18B21S	TMLX060A12MP11	14.5	CM24BBAA1	650	18.0	14.4	15.75	13.00	18.0	11.6	9.00	7.45	3.84	2.56
YHE18B21S	TMLX080B12MP11	17.5	CF/CM/CU18B	675	18.0	14.6	15.75	13.00	18.0	11.6	9.00	7.50	3.84	2.56
YHE18B21S	TMLX080B12MP11	17.5	CF/CM/CU24B	675	18.0	14.6	15.50	13.00	18.0	11.5	9.00	7.40	3.86	2.56
YHE18B21S	TMLX080B12MP11	17.5	CF/CM/CU24C	675	18.0	14.6	15.75	13.00	18.0	11.5	9.00	7.45	3.86	2.58
YHE18B21S	TMLX080B12MP11	17.5	CF/CM24C	675	18.0	14.6	15.75	13.00	18.0	11.5	9.00	7.45	3.86	2.58
YHE18B21S	TMLX080B12MP11	17.5	CF18BBAA1	675	18.0	14.6	15.75	13.00	18.0	11.6	9.00	7.50	3.84	2.56
YHE18B21S	TMLX080B12MP11	17.5	CF24BBAA1	675	18.0	14.6	15.50	13.00	18.0	11.5	9.00	7.40	3.86	2.56
YHE18B21S	TMLX080B12MP11	17.5	CM24BBAA1	600	18.0	13.4	14.50	12.25	17.5	11.8	8.50	-	3.70	2.50
YHE18B21S	TMLX080C16MP11	21.0	CF/CM24C	600	17.9	13.4	14.25	12.25	17.5	11.9	8.50	-	3.68	2.48
YHE18B21S	TMLX080C16MP11	21.0	CF/CM24C	600	17.9	13.4	14.25	12.25	17.5	11.9	8.50	-	3.68	2.48
YHE18B21S	TMLX100C16MP11	21.0	CF/CM24C	600	17.9	13.4	14.25	12.25	17.5	11.9	8.50	-	3.68	2.48

SYSTEM CAPACITY - With High Efficiency Motor Furnaces¹

UNIT MODEL	FURNACE		COIL MODEL ²	COOLING					HEATING					
	MODEL	WIDTH		RATED CFM	NET MBH		SEER	EER	NET MBH		HSPF Region IV	HSPF Region V	COP	
					TOTAL	SENS.			47°F OD	17°F OD			47°F OD	17°F OD
YHE18B21S	TMLX100C16MP11	21.0	CF/CM24C	600	17.9	13.4	14.25	12.25	17.5	11.9	8.50	–	3.68	2.48
YHE18B21S	TP9C060B12MP12C	17.5	CF/CM/CU24B	575	18.0	13.5	15.00	12.75	17.5	11.7	8.75	–	3.80	2.56
YHE18B21S	TP9C060B12MP12C	17.5	CF24BBAA1	575	18.0	13.5	15.00	12.75	17.5	11.7	8.75	–	3.80	2.56
YHE18B21S	TP9C060B12MP12C	17.5	CM24BBAA1	575	18.0	13.5	15.00	12.75	17.5	11.7	8.75	–	3.80	2.56
YHE18B21S	TP9C060B12MP13C	17.5	CF/CM/CU18B	600	18.0	13.9	15.50	13.00	18.0	11.6	9.00	7.55	3.76	2.52
YHE18B21S	TP9C060B12MP13C	17.5	CF/CM/CU24B	600	18.0	13.9	15.50	13.00	18.0	11.6	9.00	7.55	3.74	2.54
YHE18B21S	TP9C060B12MP13C	17.5	CF/CM/CU24C	600	18.0	13.9	15.50	13.00	18.0	11.6	9.00	7.50	3.76	2.54
YHE18B21S	TP9C060B12MP13C	17.5	CF/CM24C	600	18.0	13.9	15.50	13.00	18.0	11.6	9.00	7.50	3.76	2.54
YHE18B21S	TP9C060B12MP13C	17.5	CF18BBAA1	600	18.0	13.9	15.50	13.00	18.0	11.6	9.00	7.55	3.76	2.52
YHE18B21S	TP9C060B12MP13C	17.5	CF24BBAA1	600	18.0	13.9	15.50	13.00	18.0	11.6	9.00	7.55	3.74	2.54
YHE18B21S	TP9C060B12MP13C	17.5	CM24BBAA1	600	18.0	13.9	15.50	13.00	18.0	11.6	9.00	7.55	3.74	2.54
YHE18B21S	TP9C080B12MP12C	17.5	CF/CM/CU18B	625	18.0	14.1	15.75	13.00	18.0	11.6	9.00	7.50	3.80	2.54
YHE18B21S	TP9C080B12MP12C	17.5	CF/CM/CU24B	625	18.0	14.1	15.50	13.00	18.0	11.6	9.00	7.50	3.76	2.56
YHE18B21S	TP9C080B12MP12C	17.5	CF/CM24C	625	18.0	14.1	15.75	13.00	18.0	11.5	9.00	7.45	3.78	2.56
YHE18B21S	TP9C080B12MP12C	17.5	CF18BBAA1	625	18.0	14.1	15.75	13.00	18.0	11.6	9.00	7.50	3.80	2.54
YHE18B21S	TP9C080B12MP12C	17.5	CF24BBAA1	575	18.0	13.5	15.00	12.75	17.5	11.7	8.75	–	3.80	2.56
YHE18B21S	TP9C080B12MP12C	17.5	CM24BBAA1	575	18.0	13.5	15.00	12.75	17.5	11.7	8.75	–	3.80	2.56
YHE18B21S	TP9C080B12MP13C	17.5	CF/CM/CU18B	625	18.0	14.1	15.75	13.00	18.0	11.6	9.00	7.50	3.80	2.54
YHE18B21S	TP9C080B12MP13C	17.5	CF/CM/CU24B	625	18.0	14.1	15.50	13.00	18.0	11.6	9.00	7.50	3.76	2.56
YHE18B21S	TP9C080B12MP13C	17.5	CF/CM/CU24C	625	18.0	14.1	15.75	13.00	18.0	11.5	9.00	7.45	3.78	2.56
YHE18B21S	TP9C080B12MP13C	17.5	CF/CM24C	625	18.0	14.1	15.75	13.00	18.0	11.5	9.00	7.45	3.78	2.56
YHE18B21S	TP9C080B12MP13C	17.5	CF18BBAA1	625	18.0	14.1	15.75	13.00	18.0	11.6	9.00	7.50	3.80	2.54
YHE18B21S	TP9C080B12MP13C	17.5	CF24BBAA1	625	18.0	14.1	15.50	13.00	18.0	11.6	9.00	7.50	3.76	2.56
YHE18B21S	TP9C080B12MP13C	17.5	CM24BBAA1	625	18.0	14.1	15.50	13.00	18.0	11.6	9.00	7.50	3.76	2.56
YHE18B21S	TPLC060A12MP12C	14.5	CF/CM/CU18A	625	18.0	14.1	15.50	13.00	18.0	11.6	9.00	7.45	3.80	2.54
YHE18B21S	TPLC060A12MP12C	14.5	CF/CM/CU18B	625	18.0	14.1	15.75	13.00	18.0	11.6	9.00	7.50	3.82	2.54
YHE18B21S	TPLC060A12MP12C	14.5	CF/CM/CU24A	625	18.0	14.1	15.50	13.00	18.0	11.6	9.00	7.50	3.74	2.54
YHE18B21S	TPLC060A12MP12C	14.5	CF/CM/CU24B	625	18.0	14.1	15.75	13.00	18.0	11.6	9.00	7.50	3.76	2.56
YHE18B21S	TPLC060A12MP12C	14.5	CF18ABAA1	625	18.0	14.1	15.50	13.00	18.0	11.6	9.00	7.45	3.80	2.54
YHE18B21S	TPLC060A12MP12C	14.5	CF18BBAA1	625	18.0	14.1	15.75	13.00	18.0	11.6	9.00	7.50	3.82	2.54
YHE18B21S	TPLC060A12MP12C	14.5	CF24ABAA1	625	18.0	14.1	15.50	13.00	18.0	11.6	9.00	7.50	3.74	2.54
YHE18B21S	TPLC060A12MP12C	14.5	CF24BBAA1	625	18.0	14.1	15.75	13.00	18.0	11.6	9.00	7.50	3.76	2.56
YHE18B21S	TPLC060A12MP12C	14.5	CM18ABAA1	525	17.6	12.6	14.25	12.25	17.3	11.8	8.50	–	3.56	2.46
YHE18B21S	TPLC060A12MP12C	14.5	CM24ABAA1	625	18.0	14.1	15.50	13.00	18.0	11.6	9.00	7.50	3.74	2.54
YHE18B21S	TPLC060A12MP12C	14.5	CM24BBAA1	625	18.0	14.1	15.75	13.00	18.0	11.6	9.00	7.50	3.76	2.56
YHE18B21S	TPLC060A12MP13C	14.5	CF/CM/CU18A	625	18.0	14.1	15.50	13.00	18.0	11.6	9.00	7.45	3.80	2.54
YHE18B21S	TPLC060A12MP13C	14.5	CF/CM/CU18B	625	18.0	14.1	15.75	13.00	18.0	11.6	9.00	7.50	3.82	2.54

SYSTEM CAPACITY - With High Efficiency Motor Furnaces¹

UNIT MODEL	FURNACE		COIL MODEL ²	COOLING					HEATING					
	MODEL	WIDTH		RATED CFM	NET MBH		SEER	EER	NET MBH		HSPF Region IV	HSPF Region V	COP	
					TOTAL	SENS.			47°F OD	17°F OD			47°F OD	17°F OD
YHE18B21S	TPLC060A12MP13C	14.5	CF/CM/CU24A	625	18.0	14.1	15.50	13.00	18.0	11.6	9.00	7.50	3.74	2.54
YHE18B21S	TPLC060A12MP13C	14.5	CF/CM/CU24B	625	18.0	14.1	15.75	13.00	18.0	11.6	9.00	7.50	3.76	2.56
YHE18B21S	TPLC060A12MP13C	14.5	CF18ABAA1	625	18.0	14.1	15.50	13.00	18.0	11.6	9.00	7.45	3.80	2.54
YHE18B21S	TPLC060A12MP13C	14.5	CF18BBAA1	625	18.0	14.1	15.75	13.00	18.0	11.6	9.00	7.50	3.82	2.54
YHE18B21S	TPLC060A12MP13C	14.5	CF24ABAA1	625	18.0	14.1	15.50	13.00	18.0	11.6	9.00	7.50	3.74	2.54
YHE18B21S	TPLC060A12MP13C	14.5	CF24BBAA1	625	18.0	14.1	15.75	13.00	18.0	11.6	9.00	7.50	3.76	2.56
YHE18B21S	TPLC060A12MP13C	14.5	CM18ABAA1	625	18.0	14.1	15.50	13.00	18.0	11.6	9.00	7.45	3.80	2.54
YHE18B21S	TPLC060A12MP13C	14.5	CM24ABAA1	625	18.0	14.1	15.50	13.00	18.0	11.6	9.00	7.50	3.74	2.54
YHE18B21S	TPLC060A12MP13C	14.5	CM24BBAA1	625	18.0	14.1	15.75	13.00	18.0	11.6	9.00	7.50	3.76	2.56
YHE18B21S	TPLC080B12MP12C	17.5	CF/CM/CU18B	625	18.0	14.1	15.50	13.00	18.0	11.6	9.00	7.50	3.78	2.52
YHE18B21S	TPLC080B12MP12C	17.5	CF/CM/CU24B	625	18.0	14.1	15.50	13.00	18.0	11.6	9.00	7.55	3.74	2.54
YHE18B21S	TPLC080B12MP12C	17.5	CF/CM24C	625	18.0	14.1	15.50	13.00	18.0	11.6	9.00	7.50	3.74	2.54
YHE18B21S	TPLC080B12MP12C	17.5	CF18BBAA1	625	18.0	14.1	15.50	13.00	18.0	11.6	9.00	7.50	3.78	2.52
YHE18B21S	TPLC080B12MP12C	17.5	CF24BBAA1	675	18.0	14.5	14.75	12.50	17.5	11.8	8.50	-	3.82	2.54
YHE18B21S	TPLC080B12MP12C	17.5	CM24BBAA1	675	18.0	14.5	14.75	12.50	17.5	11.8	8.50	-	3.82	2.54
YHE18B21S	TPLC080B12MP13C	17.5	CF/CM/CU18B	625	18.0	14.1	15.50	13.00	18.0	11.6	9.00	7.50	3.78	2.52
YHE18B21S	TPLC080B12MP13C	17.5	CF/CM/CU24B	625	18.0	14.1	15.50	13.00	18.0	11.6	9.00	7.55	3.74	2.54
YHE18B21S	TPLC080B12MP13C	17.5	CF/CM/CU24C	625	18.0	14.1	15.50	13.00	18.0	11.6	9.00	7.50	3.74	2.54
YHE18B21S	TPLC080B12MP13C	17.5	CF/CM24C	625	18.0	14.1	15.50	13.00	18.0	11.6	9.00	7.50	3.74	2.54
YHE18B21S	TPLC080B12MP13C	17.5	CF18BBAA1	625	18.0	14.1	15.50	13.00	18.0	11.6	9.00	7.50	3.78	2.52
YHE18B21S	TPLC080B12MP13C	17.5	CF24BBAA1	625	18.0	14.1	15.50	13.00	18.0	11.6	9.00	7.55	3.74	2.54
YHE18B21S	TPLC080B12MP13C	17.5	CM24BBAA1	625	18.0	14.1	15.50	13.00	18.0	11.6	9.00	7.55	3.74	2.54
YHE18B21S	YP9C060B12MP12C	17.5	CF/CM/CU24B	575	18.0	13.5	15.00	12.75	17.5	11.7	8.75	-	3.80	2.56
YHE18B21S	YP9C060B12MP12C	17.5	CF24BBAA1	575	18.0	13.5	15.00	12.75	17.5	11.7	8.75	-	3.80	2.56
YHE18B21S	YP9C060B12MP12C	17.5	CM24BBAA1	575	18.0	13.5	15.00	12.75	17.5	11.7	8.75	-	3.80	2.56
YHE18B21S	YP9C060B12MP13C	17.5	CF/CM/CU18B	600	18.0	13.9	15.50	13.00	18.0	11.6	9.00	7.55	3.76	2.52
YHE18B21S	YP9C060B12MP13C	17.5	CF/CM/CU24B	600	18.0	13.9	15.50	13.00	18.0	11.6	9.00	7.55	3.74	2.54
YHE18B21S	YP9C060B12MP13C	17.5	CF/CM/CU24C	600	18.0	13.9	15.50	13.00	18.0	11.6	9.00	7.50	3.76	2.54
YHE18B21S	YP9C060B12MP13C	17.5	CF/CM24C	600	18.0	13.9	15.50	13.00	18.0	11.6	9.00	7.50	3.76	2.54
YHE18B21S	YP9C060B12MP13C	17.5	CF18BBAA1	600	18.0	13.9	15.50	13.00	18.0	11.6	9.00	7.55	3.76	2.52
YHE18B21S	YP9C060B12MP13C	17.5	CF24BBAA1	600	18.0	13.9	15.50	13.00	18.0	11.6	9.00	7.55	3.74	2.54
YHE18B21S	YP9C060B12MP13C	17.5	CM24BBAA1	600	18.0	13.9	15.50	13.00	18.0	11.6	9.00	7.55	3.74	2.54
YHE18B21S	YP9C080B12MP12C	17.5	CF/CM/CU18B	625	18.0	14.1	15.75	13.00	18.0	11.6	9.00	7.50	3.80	2.54
YHE18B21S	YP9C080B12MP12C	17.5	CF/CM/CU24B	625	18.0	14.1	15.50	13.00	18.0	11.6	9.00	7.50	3.76	2.56
YHE18B21S	YP9C080B12MP12C	17.5	CF/CM24C	625	18.0	14.1	15.75	13.00	18.0	11.5	9.00	7.45	3.78	2.56
YHE18B21S	YP9C080B12MP12C	17.5	CF18BBAA1	625	18.0	14.1	15.75	13.00	18.0	11.6	9.00	7.50	3.80	2.54
YHE18B21S	YP9C080B12MP12C	17.5	CF24BBAA1	575	18.0	13.5	15.00	12.75	17.5	11.7	8.75	-	3.80	2.56

SYSTEM CAPACITY - With High Efficiency Motor Furnaces¹

UNIT MODEL	FURNACE		COIL MODEL ²	COOLING					HEATING					
	MODEL	WIDTH		RATED CFM	NET MBH		SEER	EER	NET MBH		HSPF Region IV	HSPF Region V	COP	
					TOTAL	SENS.			47°F OD	17°F OD			47°F OD	17°F OD
YHE18B21S	YP9C080B12MP12C	17.5	CM24BBAA1	575	18.0	13.5	15.00	12.75	17.5	11.7	8.75	–	3.80	2.56
YHE18B21S	YP9C080B12MP13C	17.5	CF/CM/CU18B	625	18.0	14.1	15.75	13.00	18.0	11.6	9.00	7.50	3.80	2.54
YHE18B21S	YP9C080B12MP13C	17.5	CF/CM/CU24B	625	18.0	14.1	15.50	13.00	18.0	11.6	9.00	7.50	3.76	2.56
YHE18B21S	YP9C080B12MP13C	17.5	CF/CM/CU24C	625	18.0	14.1	15.75	13.00	18.0	11.5	9.00	7.45	3.78	2.56
YHE18B21S	YP9C080B12MP13C	17.5	CF/CM24C	625	18.0	14.1	15.75	13.00	18.0	11.5	9.00	7.45	3.78	2.56
YHE18B21S	YP9C080B12MP13C	17.5	CF18BBAA1	625	18.0	14.1	15.75	13.00	18.0	11.6	9.00	7.50	3.80	2.54
YHE18B21S	YP9C080B12MP13C	17.5	CF24BBAA1	625	18.0	14.1	15.50	13.00	18.0	11.6	9.00	7.50	3.76	2.56
YHE18B21S	YP9C080B12MP13C	17.5	CM24BBAA1	625	18.0	14.1	15.50	13.00	18.0	11.6	9.00	7.50	3.76	2.56
YHE18B21S	YPLC060A12MP12C	14.5	CF/CM/CU18A	625	18.0	14.1	15.50	13.00	18.0	11.6	9.00	7.45	3.80	2.54
YHE18B21S	YPLC060A12MP12C	14.5	CF/CM/CU18B	625	18.0	14.1	15.75	13.00	18.0	11.6	9.00	7.50	3.82	2.54
YHE18B21S	YPLC060A12MP12C	14.5	CF/CM/CU24A	625	18.0	14.1	15.50	13.00	18.0	11.6	9.00	7.50	3.74	2.54
YHE18B21S	YPLC060A12MP12C	14.5	CF/CM/CU24B	625	18.0	14.1	15.75	13.00	18.0	11.6	9.00	7.50	3.76	2.56
YHE18B21S	YPLC060A12MP12C	14.5	CF18ABAA1	625	18.0	14.1	15.50	13.00	18.0	11.6	9.00	7.45	3.80	2.54
YHE18B21S	YPLC060A12MP12C	14.5	CF18BBAA1	625	18.0	14.1	15.75	13.00	18.0	11.6	9.00	7.50	3.82	2.54
YHE18B21S	YPLC060A12MP12C	14.5	CF24ABAA1	625	18.0	14.1	15.50	13.00	18.0	11.6	9.00	7.50	3.74	2.54
YHE18B21S	YPLC060A12MP12C	14.5	CF24BBAA1	625	18.0	14.1	15.75	13.00	18.0	11.6	9.00	7.50	3.76	2.56
YHE18B21S	YPLC060A12MP12C	14.5	CM18ABAA1	525	17.6	12.6	14.25	12.25	17.3	11.8	8.50	–	3.56	2.46
YHE18B21S	YPLC060A12MP12C	14.5	CM24ABAA1	625	18.0	14.1	15.50	13.00	18.0	11.6	9.00	7.50	3.74	2.54
YHE18B21S	YPLC060A12MP12C	14.5	CM24BBAA1	625	18.0	14.1	15.75	13.00	18.0	11.6	9.00	7.50	3.76	2.56
YHE18B21S	YPLC060A12MP13C	14.5	CF/CM/CU18A	625	18.0	14.1	15.50	13.00	18.0	11.6	9.00	7.45	3.80	2.54
YHE18B21S	YPLC060A12MP13C	14.5	CF/CM/CU18B	625	18.0	14.1	15.75	13.00	18.0	11.6	9.00	7.50	3.82	2.54
YHE18B21S	YPLC060A12MP13C	14.5	CF/CM/CU24A	625	18.0	14.1	15.50	13.00	18.0	11.6	9.00	7.50	3.74	2.54
YHE18B21S	YPLC060A12MP13C	14.5	CF/CM/CU24B	625	18.0	14.1	15.75	13.00	18.0	11.6	9.00	7.50	3.76	2.56
YHE18B21S	YPLC060A12MP13C	14.5	CF18ABAA1	625	18.0	14.1	15.50	13.00	18.0	11.6	9.00	7.45	3.80	2.54
YHE18B21S	YPLC060A12MP13C	14.5	CF18BBAA1	625	18.0	14.1	15.75	13.00	18.0	11.6	9.00	7.50	3.82	2.54
YHE18B21S	YPLC060A12MP13C	14.5	CF24ABAA1	625	18.0	14.1	15.50	13.00	18.0	11.6	9.00	7.50	3.74	2.54
YHE18B21S	YPLC060A12MP13C	14.5	CF24BBAA1	625	18.0	14.1	15.75	13.00	18.0	11.6	9.00	7.50	3.76	2.56
YHE18B21S	YPLC060A12MP13C	14.5	CM18ABAA1	625	18.0	14.1	15.50	13.00	18.0	11.6	9.00	7.45	3.80	2.54
YHE18B21S	YPLC060A12MP13C	14.5	CM24ABAA1	625	18.0	14.1	15.50	13.00	18.0	11.6	9.00	7.50	3.74	2.54
YHE18B21S	YPLC060A12MP13C	14.5	CM24BBAA1	625	18.0	14.1	15.75	13.00	18.0	11.6	9.00	7.50	3.76	2.56
YHE18B21S	YPLC080B12MP12C	17.5	CF/CM/CU18B	625	18.0	14.1	15.50	13.00	18.0	11.6	9.00	7.50	3.78	2.52
YHE18B21S	YPLC080B12MP12C	17.5	CF/CM/CU24B	625	18.0	14.1	15.50	13.00	18.0	11.6	9.00	7.55	3.74	2.54
YHE18B21S	YPLC080B12MP12C	17.5	CF/CM24C	625	18.0	14.1	15.50	13.00	18.0	11.6	9.00	7.50	3.74	2.54
YHE18B21S	YPLC080B12MP12C	17.5	CF18BBAA1	625	18.0	14.1	15.50	13.00	18.0	11.6	9.00	7.50	3.78	2.52
YHE18B21S	YPLC080B12MP12C	17.5	CF24BBAA1	675	18.0	14.5	14.75	12.50	17.5	11.8	8.50	–	3.82	2.54
YHE18B21S	YPLC080B12MP12C	17.5	CM24BBAA1	675	18.0	14.5	14.75	12.50	17.5	11.8	8.50	–	3.82	2.54
YHE18B21S	YPLC080B12MP13C	17.5	CF/CM/CU18B	625	18.0	14.1	15.50	13.00	18.0	11.6	9.00	7.50	3.78	2.52

SYSTEM CAPACITY - With High Efficiency Motor Furnaces¹

UNIT MODEL	FURNACE		COIL MODEL ²	COOLING					HEATING					
	MODEL	WIDTH		RATED CFM	NET MBH		SEER	EER	NET MBH		HSPF Region IV	HSPF Region V	COP	
					TOTAL	SENS.			47°F OD	17°F OD			47°F OD	17°F OD
YHE18B21S	YPLC080B12MP13C	17.5	CF/CM/CU24B	625	18.0	14.1	15.50	13.00	18.0	11.6	9.00	7.55	3.74	2.54
YHE18B21S	YPLC080B12MP13C	17.5	CF/CM/CU24C	625	18.0	14.1	15.50	13.00	18.0	11.6	9.00	7.50	3.74	2.54
YHE18B21S	YPLC080B12MP13C	17.5	CF/CM24C	625	18.0	14.1	15.50	13.00	18.0	11.6	9.00	7.50	3.74	2.54
YHE18B21S	YPLC080B12MP13C	17.5	CF18BBAA1	625	18.0	14.1	15.50	13.00	18.0	11.6	9.00	7.50	3.78	2.52
YHE18B21S	YPLC080B12MP13C	17.5	CF24BBAA1	625	18.0	14.1	15.50	13.00	18.0	11.6	9.00	7.55	3.74	2.54
YHE18B21S	YPLC080B12MP13C	17.5	CM24BBAA1	625	18.0	14.1	15.50	13.00	18.0	11.6	9.00	7.55	3.74	2.54
YHE24B21S	TL8E060A12UH11	14.5	CF/CM/CU24B	875	24.0	18.6	15.00	12.50	24.0	16.1	9.00	7.25	3.96	2.64
YHE24B21S	TL8E060A12UH11	14.5	CF/CM/CU30B	875	24.0	20.3	15.75	13.00	24.0	14.9	9.00	7.25	3.92	2.58
YHE24B21S	TL8E060A12UH11	14.5	CF/CM30C	900	24.0	20.7	15.75	13.00	24.0	15.0	9.00	7.00	3.98	2.62
YHE24B21S	TL8E060A12UH11	14.5	CF24BBAA1	875	24.0	18.6	15.00	12.50	24.0	16.1	9.00	7.25	3.96	2.64
YHE24B21S	TL8E060A12UH11	14.5	CF30BBAA1	875	24.0	20.3	15.75	13.00	24.0	14.9	9.00	7.25	3.92	2.58
YHE24B21S	TL8E060A12UH11	14.5	CM24BBAA1	875	24.0	18.6	15.00	12.50	24.0	16.1	9.00	7.25	3.96	2.64
YHE24B21S	TL8E060A12UH11	14.5	CM30BBAA1	875	24.0	20.3	15.75	13.00	24.0	14.9	9.00	7.25	3.92	2.58
YHE24B21S	TL8E080C16UH11	21.0	CF/CM24C	950	24.0	19.5	15.25	13.00	24.0	16.2	9.00	6.30	4.14	2.72
YHE24B21S	TL8E080C16UH11	21.0	CF/CM30C	950	24.0	21.3	15.75	13.00	24.0	15.0	9.00	6.45	4.10	2.68
YHE24B21S	TL9E060B12UH11	17.5	CF/CM/CU24B	675	24.0	16.6	15.00	12.50	24.0	15.4	9.00	7.30	3.62	2.48
YHE24B21S	TL9E060B12UH11	17.5	CF/CM/CU30B	875	24.0	20.3	15.75	13.00	24.0	15.0	9.00	7.05	3.88	2.56
YHE24B21S	TL9E060B12UH11	17.5	CF/CM24C	700	24.0	16.8	15.00	13.00	24.0	15.5	9.00	7.20	3.66	2.50
YHE24B21S	TL9E060B12UH11	17.5	CF/CM30C	875	24.0	20.3	15.75	13.00	24.0	15.0	9.00	7.05	3.88	2.56
YHE24B21S	TL9E060B12UH11	17.5	CF24BBAA1	675	24.0	16.6	15.00	12.50	24.0	15.4	9.00	7.30	3.62	2.48
YHE24B21S	TL9E060B12UH11	17.5	CF30BBAA1	875	24.0	20.3	15.75	13.00	24.0	15.0	9.00	7.05	3.88	2.56
YHE24B21S	TL9E060B12UH11	17.5	CM24BBAA1	675	24.0	16.6	15.00	12.50	24.0	15.4	9.00	7.30	3.62	2.48
YHE24B21S	TL9E060B12UH11	17.5	CM30BBAA1	875	24.0	20.3	15.75	13.00	24.0	15.0	9.00	7.05	3.88	2.56
YHE24B21S	TL9E080C16UH11	21.0	CF/CM24C	900	24.0	18.9	15.25	13.00	24.0	16.1	9.00	6.55	4.04	2.68
YHE24B21S	TL9E080C16UH11	21.0	CF/CM30C	925	24.0	21.1	15.75	13.00	24.0	15.0	9.00	6.55	4.06	2.66
YHE24B21S	TM8E040A12MP11	14.5	CF/CM/CU24A	725	24.0	16.9	15.00	13.00	24.0	15.6	9.00	7.40	3.70	2.52
YHE24B21S	TM8E040A12MP11	14.5	CF/CM/CU24B	700	24.0	16.8	15.25	13.00	24.0	15.4	9.00	7.20	3.68	2.52
YHE24B21S	TM8E040A12MP11	14.5	CF/CM/CU30A	825	24.0	19.7	15.75	13.00	24.0	14.8	9.00	7.25	3.80	2.54
YHE24B21S	TM8E040A12MP11	14.5	CF/CM/CU30B	875	24.0	20.3	15.75	13.00	24.0	14.9	9.00	7.15	3.92	2.58
YHE24B21S	TM8E040A12MP11	14.5	CF24ABAA1	725	24.0	16.9	15.00	13.00	24.0	15.6	9.00	7.40	3.70	2.52
YHE24B21S	TM8E040A12MP11	14.5	CF24BBAA1	700	24.0	16.8	15.25	13.00	24.0	15.4	9.00	7.20	3.68	2.52
YHE24B21S	TM8E040A12MP11	14.5	CF30ABAA1	825	24.0	19.7	15.75	13.00	24.0	14.8	9.00	7.25	3.80	2.54
YHE24B21S	TM8E040A12MP11	14.5	CF30BBAA1	875	24.0	20.3	15.75	13.00	24.0	14.9	9.00	7.15	3.92	2.58
YHE24B21S	TM8E040A12MP11	14.5	CM24ABAA1	725	24.0	16.9	15.00	13.00	24.0	15.6	9.00	7.40	3.70	2.52
YHE24B21S	TM8E040A12MP11	14.5	CM24BBAA1	700	24.0	16.8	15.25	13.00	24.0	15.4	9.00	7.20	3.68	2.52
YHE24B21S	TM8E040A12MP11	14.5	CM30BBAA1	875	24.0	20.3	15.75	13.00	24.0	14.9	9.00	7.15	3.92	2.58
YHE24B21S	TM8E060A12MP11	14.5	CF/CM/CU24A	775	24.0	17.5	15.00	12.50	24.0	15.8	9.00	7.20	3.78	2.54

SYSTEM CAPACITY - With High Efficiency Motor Furnaces¹

UNIT MODEL	FURNACE		COIL MODEL ²	COOLING					HEATING					
	MODEL	WIDTH		RATED CFM	NET MBH		SEER	EER	NET MBH		HSPF Region IV	HSPF Region V	COP	
					TOTAL	SENS.			47°F OD	17°F OD			47°F OD	17°F OD
YHE24B21S	TM8E060A12MP11	14.5	CF/CM/CU24B	750	24.0	17.3	15.25	13.00	24.0	15.6	9.00	7.15	3.76	2.54
YHE24B21S	TM8E060A12MP11	14.5	CF/CM/CU30A	825	24.0	19.7	15.75	13.00	24.0	14.8	9.00	7.25	3.80	2.54
YHE24B21S	TM8E060A12MP11	14.5	CF/CM/CU30B	825	24.0	19.7	15.75	13.00	24.0	14.7	9.00	7.10	3.86	2.56
YHE24B21S	TM8E060A12MP11	14.5	CF24ABAA1	775	24.0	17.5	15.00	12.50	24.0	15.8	9.00	7.20	3.78	2.54
YHE24B21S	TM8E060A12MP11	14.5	CF24BBAA1	750	24.0	17.3	15.25	13.00	24.0	15.6	9.00	7.15	3.76	2.54
YHE24B21S	TM8E060A12MP11	14.5	CF30ABAA1	825	24.0	19.7	15.75	13.00	24.0	14.8	9.00	7.25	3.80	2.54
YHE24B21S	TM8E060A12MP11	14.5	CF30BBAA1	825	24.0	19.7	15.75	13.00	24.0	14.7	9.00	7.10	3.86	2.56
YHE24B21S	TM8E060A12MP11	14.5	CM24ABAA1	775	24.0	17.5	15.00	12.50	24.0	15.8	9.00	7.20	3.78	2.54
YHE24B21S	TM8E060A12MP11	14.5	CM24BBAA1	750	24.0	17.3	15.25	13.00	24.0	15.6	9.00	7.15	3.76	2.54
YHE24B21S	TM8E060A12MP11	14.5	CM30BBAA1	825	24.0	19.7	15.75	13.00	24.0	14.7	9.00	7.10	3.86	2.56
YHE24B21S	TM8E080B12MP11	17.5	CF/CM/CU24B	725	24.0	17.1	15.25	13.00	24.0	15.5	9.00	7.30	3.72	2.52
YHE24B21S	TM8E080B12MP11	17.5	CF/CM/CU30B	900	24.0	20.7	15.75	13.00	24.0	15.0	9.00	7.15	3.78	2.46
YHE24B21S	TM8E080B12MP11	17.5	CF/CM24C	925	24.0	19.1	15.00	13.00	24.0	16.2	9.00	7.00	4.06	2.68
YHE24B21S	TM8E080B12MP11	17.5	CF/CM30C	925	24.0	20.9	15.75	13.00	24.0	15.0	9.00	7.20	3.84	2.48
YHE24B21S	TM8E080B12MP11	17.5	CF24BBAA1	725	24.0	17.1	15.25	13.00	24.0	15.5	9.00	7.30	3.72	2.52
YHE24B21S	TM8E080B12MP11	17.5	CF30BBAA1	900	24.0	20.7	15.75	13.00	24.0	15.0	9.00	7.15	3.78	2.46
YHE24B21S	TM8E080B12MP11	17.5	CM24BBAA1	725	24.0	17.1	15.25	13.00	24.0	15.5	9.00	7.30	3.72	2.52
YHE24B21S	TM8E080B12MP11	17.5	CM30BBAA1	900	24.0	20.7	15.75	13.00	24.0	15.0	9.00	7.15	3.78	2.46
YHE24B21S	TM8E080C16MP11	21.0	CF/CM24C	825	24.0	18.2	15.50	13.00	24.0	15.8	9.00	6.20	4.12	2.78
YHE24B21S	TM8E080C16MP11	21.0	CF/CM30C	825	24.0	19.9	15.75	13.00	24.0	14.6	9.00	7.05	3.90	2.58
YHE24B21S	TM8E100B12MP11	17.5	CF/CM/CU24B	725	24.0	17.1	15.25	13.00	24.0	15.5	9.00	6.70	3.92	2.70
YHE24B21S	TM8E100B12MP11	17.5	CF/CM/CU30B	925	24.0	20.9	15.75	13.00	24.0	15.0	9.00	7.20	3.84	2.48
YHE24B21S	TM8E100B12MP11	17.5	CF/CM24C	850	24.0	18.4	15.25	13.00	24.0	15.9	9.00	7.20	3.94	2.64
YHE24B21S	TM8E100B12MP11	17.5	CF/CM30C	925	24.0	20.9	15.75	13.00	24.0	15.0	9.00	7.20	3.84	2.48
YHE24B21S	TM8E100B12MP11	17.5	CF24BBAA1	725	24.0	17.1	15.25	13.00	24.0	15.5	9.00	6.70	3.92	2.70
YHE24B21S	TM8E100B12MP11	17.5	CF30BBAA1	925	24.0	20.9	15.75	13.00	24.0	15.0	9.00	7.20	3.84	2.48
YHE24B21S	TM8E100B12MP11	17.5	CM24BBAA1	725	24.0	17.1	15.25	13.00	24.0	15.5	9.00	6.70	3.92	2.70
YHE24B21S	TM8E100B12MP11	17.5	CM30BBAA1	925	24.0	20.9	15.75	13.00	24.0	15.0	9.00	7.20	3.84	2.48
YHE24B21S	TM8E100C16MP11	21.0	CF/CM24C	800	24.0	17.9	15.50	13.00	24.0	15.7	9.00	6.30	4.08	2.76
YHE24B21S	TM8E100C16MP11	21.0	CF/CM30C	950	24.0	21.3	15.75	13.00	24.0	15.0	9.00	6.95	4.10	2.68
YHE24B21S	TM8E120C16MP11	21.0	CF/CM24C	800	24.0	17.9	15.50	13.00	24.0	15.7	9.00	6.30	4.08	2.76
YHE24B21S	TM8E120C16MP11	21.0	CF/CM30C	800	24.0	19.5	15.75	13.00	24.0	14.6	9.00	7.20	3.84	2.56
YHE24B21S	TM8V060A12MP11C	14.5	CF/CM/CU24A	625	23.8	16.8	15.00	12.75	24.0	15.0	8.20	6.95	3.48	2.36
YHE24B21S	TM8V060A12MP11C	14.5	CF/CM/CU24B	625	23.8	16.8	15.25	12.75	24.0	14.9	8.20	6.95	3.48	2.38
YHE24B21S	TM8V060A12MP11C	14.5	CF/CM/CU30A	625	24.0	16.5	15.75	13.00	24.0	15.1	9.25	7.85	3.76	2.64
YHE24B21S	TM8V060A12MP11C	14.5	CF/CM/CU30B	625	24.0	16.5	15.75	13.00	24.0	15.0	9.25	7.90	3.78	2.66
YHE24B21S	TM8V060A12MP11C	14.5	CF24ABAA1	625	23.8	16.8	15.00	12.75	24.0	15.0	8.20	6.95	3.48	2.36

SYSTEM CAPACITY - With High Efficiency Motor Furnaces¹

UNIT MODEL	FURNACE		COIL MODEL ²	COOLING					HEATING					
	MODEL	WIDTH		RATED CFM	NET MBH		SEER	EER	NET MBH		HSPF Region IV	HSPF Region V	COP	
					TOTAL	SENS.			47°F OD	17°F OD			47°F OD	17°F OD
YHE24B21S	TM8V060A12MP11C	14.5	CF24BBAA1	625	23.8	16.8	15.25	12.75	24.0	14.9	8.20	6.95	3.48	2.38
YHE24B21S	TM8V060A12MP11C	14.5	CF30ABAA1	625	24.0	16.5	15.75	13.00	24.0	15.1	9.25	7.85	3.76	2.64
YHE24B21S	TM8V060A12MP11C	14.5	CF30BBAA1	625	24.0	16.5	15.75	13.00	24.0	15.0	9.25	7.90	3.78	2.66
YHE24B21S	TM8V060A12MP11C	14.5	CM24ABAA1	625	23.8	16.8	15.00	12.75	24.0	15.0	8.20	6.95	3.48	2.36
YHE24B21S	TM8V060A12MP11C	14.5	CM24BBAA1	625	23.8	16.8	15.25	12.75	24.0	14.9	8.20	6.95	3.48	2.38
YHE24B21S	TM8V060A12MP11C	14.5	CM30BBAA1	625	24.0	16.5	15.75	13.00	24.0	15.0	9.25	7.90	3.78	2.66
YHE24B21S	TM8V060A12MP12C	14.5	CF/CM/CU24A	625	23.8	16.8	15.00	12.75	24.0	15.0	8.20	6.95	3.48	2.36
YHE24B21S	TM8V060A12MP12C	14.5	CF/CM/CU24B	625	23.8	16.8	15.25	12.75	24.0	14.9	8.20	6.95	3.48	2.38
YHE24B21S	TM8V060A12MP12C	14.5	CF/CM/CU30A	625	24.0	16.5	15.75	13.00	24.0	15.1	9.25	7.85	3.76	2.64
YHE24B21S	TM8V060A12MP12C	14.5	CF/CM/CU30B	625	24.0	16.5	15.75	13.00	24.0	15.0	9.25	7.90	3.78	2.66
YHE24B21S	TM8V060A12MP12C	14.5	CF24ABAA1	625	23.8	16.8	15.00	12.75	24.0	15.0	8.20	6.95	3.48	2.36
YHE24B21S	TM8V060A12MP12C	14.5	CF24BBAA1	625	23.8	16.8	15.25	12.75	24.0	14.9	8.20	6.95	3.48	2.38
YHE24B21S	TM8V060A12MP12C	14.5	CF30ABAA1	625	24.0	16.5	15.75	13.00	24.0	15.1	9.25	7.85	3.76	2.64
YHE24B21S	TM8V060A12MP12C	14.5	CF30BBAA1	625	24.0	16.5	15.75	13.00	24.0	15.0	9.25	7.90	3.78	2.66
YHE24B21S	TM8V060A12MP12C	14.5	CM24ABAA1	625	23.8	16.8	15.00	12.75	24.0	15.0	8.20	6.95	3.48	2.36
YHE24B21S	TM8V060A12MP12C	14.5	CM24BBAA1	625	23.8	16.8	15.25	12.75	24.0	14.9	8.20	6.95	3.48	2.38
YHE24B21S	TM8V060A12MP12C	14.5	CM30BBAA1	625	24.0	16.5	15.75	13.00	24.0	15.0	9.25	7.90	3.78	2.66
YHE24B21S	TM8V080B12MP11C	17.5	CF/CM/CU24B	625	23.8	16.8	15.00	12.50	24.0	15.0	8.20	6.95	3.48	2.36
YHE24B21S	TM8V080B12MP11C	17.5	CF/CM/CU30B	625	24.0	16.4	15.75	13.00	24.0	15.1	9.00	7.65	3.76	2.64
YHE24B21S	TM8V080B12MP11C	17.5	CF24BBAA1	625	23.8	16.8	15.00	12.50	24.0	15.0	8.20	6.95	3.48	2.36
YHE24B21S	TM8V080B12MP11C	17.5	CF30BBAA1	625	24.0	16.4	15.75	13.00	24.0	15.1	9.00	7.65	3.76	2.64
YHE24B21S	TM8V080B12MP11C	17.5	CM24BBAA1	625	23.8	16.8	15.00	12.50	24.0	15.0	8.20	6.95	3.48	2.36
YHE24B21S	TM8V080B12MP11C	17.5	CM30BBAA1	625	24.0	16.4	15.75	13.00	24.0	15.1	9.00	7.65	3.76	2.64
YHE24B21S	TM8V080B12MP12C	17.5	CF/CM/CU24B	625	23.8	16.8	15.00	12.50	24.0	15.0	8.20	6.95	3.48	2.36
YHE24B21S	TM8V080B12MP12C	17.5	CF/CM/CU24C	675	24.0	17.5	15.25	12.75	24.0	14.9	8.50	7.20	3.56	2.40
YHE24B21S	TM8V080B12MP12C	17.5	CF/CM/CU30B	625	24.0	16.4	15.75	13.00	24.0	15.1	9.00	7.65	3.76	2.64
YHE24B21S	TM8V080B12MP12C	17.5	CF/CM/CU30C	625	24.0	16.5	15.75	13.00	24.0	15.1	9.25	7.85	3.76	2.64
YHE24B21S	TM8V080B12MP12C	17.5	CF24BBAA1	625	23.8	16.8	15.00	12.50	24.0	15.0	8.20	6.95	3.48	2.36
YHE24B21S	TM8V080B12MP12C	17.5	CF30BBAA1	625	24.0	16.4	15.75	13.00	24.0	15.1	9.00	7.65	3.76	2.64
YHE24B21S	TM8V080B12MP12C	17.5	CM24BBAA1	625	23.8	16.8	15.00	12.50	24.0	15.0	8.20	6.95	3.48	2.36
YHE24B21S	TM8V080B12MP12C	17.5	CM30BBAA1	625	24.0	16.4	15.75	13.00	24.0	15.1	9.00	7.65	3.76	2.64
YHE24B21S	TM8V080C16MP12C	21.0	CF/CM/CU24C	875	24.0	20.3	15.50	13.00	24.0	14.8	8.75	7.30	3.80	2.46
YHE24B21S	TM8V080C16MP12C	21.0	CF/CM/CU30C	875	24.0	18.7	15.75	13.00	24.0	15.0	9.50	7.90	4.08	2.74
YHE24B21S	TM8V080C16MP12C	21.0	CF/CM/CU30D	875	24.0	18.7	15.75	13.00	24.0	15.0	9.50	7.90	4.08	2.74
YHE24B21S	TM8V100C16MP12C	21.0	CF/CM/CU24C	875	24.0	20.3	15.50	13.00	24.0	14.8	8.75	7.30	3.80	2.46
YHE24B21S	TM8V100C16MP12C	21.0	CF/CM/CU30C	875	24.0	18.7	15.75	13.00	24.0	15.0	9.50	7.90	4.08	2.74
YHE24B21S	TM8V100C16MP12C	21.0	CF/CM/CU30D	875	24.0	18.7	15.75	13.00	24.0	15.0	9.50	7.90	4.08	2.74

SYSTEM CAPACITY - With High Efficiency Motor Furnaces¹

UNIT MODEL	FURNACE		COIL MODEL ²	COOLING					HEATING					
	MODEL	WIDTH		RATED CFM	NET MBH		SEER	EER	NET MBH		HSPF Region IV	HSPF Region V	COP	
					TOTAL	SENS.			47°F OD	17°F OD			47°F OD	17°F OD
YHE24B21S	TM8X060A12MP11	14.5	CF/CM/CU24A	625	23.8	16.8	15.00	12.75	24.0	15.0	8.20	6.95	3.48	2.36
YHE24B21S	TM8X060A12MP11	14.5	CF/CM/CU24B	650	24.0	17.3	15.25	12.75	24.0	14.9	8.50	7.25	3.52	2.40
YHE24B21S	TM8X060A12MP11	14.5	CF/CM/CU30A	625	24.0	16.4	15.75	13.00	24.0	15.1	9.00	7.65	3.74	2.64
YHE24B21S	TM8X060A12MP11	14.5	CF/CM/CU30B	650	24.0	16.7	15.75	13.00	24.0	15.1	9.25	7.85	3.80	2.66
YHE24B21S	TM8X060A12MP11	14.5	CF24ABAA1	625	23.8	16.8	15.00	12.75	24.0	15.0	8.20	6.95	3.48	2.36
YHE24B21S	TM8X060A12MP11	14.5	CF24BBAA1	650	24.0	17.3	15.25	12.75	24.0	14.9	8.50	7.25	3.52	2.40
YHE24B21S	TM8X060A12MP11	14.5	CF30ABAA1	625	24.0	16.4	15.75	13.00	24.0	15.1	9.00	7.65	3.74	2.64
YHE24B21S	TM8X060A12MP11	14.5	CF30BBAA1	650	24.0	16.7	15.75	13.00	24.0	15.1	9.25	7.85	3.80	2.66
YHE24B21S	TM8X060A12MP11	14.5	CM24ABAA1	800	24.0	17.5	15.25	12.75	23.6	15.0	8.50	-	3.70	2.44
YHE24B21S	TM8X060A12MP11	14.5	CM24BBAA1	650	24.0	17.3	15.25	12.75	24.0	14.9	8.50	7.25	3.52	2.40
YHE24B21S	TM8X060A12MP11	14.5	CM30BBAA1	650	24.0	16.7	15.75	13.00	24.0	15.1	9.25	7.85	3.80	2.66
YHE24B21S	TM8X080B12MP11	17.5	CF/CM/CU24B	675	24.0	17.7	15.50	12.75	24.0	14.9	8.50	7.15	3.58	2.40
YHE24B21S	TM8X080B12MP11	17.5	CF/CM/CU24C	675	24.0	17.6	15.50	13.00	24.0	14.9	8.50	7.20	3.58	2.40
YHE24B21S	TM8X080B12MP11	17.5	CF/CM/CU30B	675	24.0	16.9	15.75	13.00	24.0	15.0	9.25	7.85	3.84	2.68
YHE24B21S	TM8X080B12MP11	17.5	CF/CM/CU30C	675	24.0	16.9	15.75	13.00	24.0	15.0	9.25	7.80	3.84	2.68
YHE24B21S	TM8X080B12MP11	17.5	CF24BBAA1	675	24.0	17.7	15.50	12.75	24.0	14.9	8.50	7.15	3.58	2.40
YHE24B21S	TM8X080B12MP11	17.5	CF30BBAA1	725	24.0	17.9	16.00	13.00	23.6	15.3	8.50	-	3.88	2.64
YHE24B21S	TM8X080B12MP11	17.5	CM24BBAA1	725	23.6	16.9	15.50	12.75	23.2	14.9	8.50	-	3.62	2.46
YHE24B21S	TM8X080B12MP11	17.5	CM30BBAA1	725	24.0	17.9	16.00	13.00	23.6	15.3	8.50	-	3.88	2.64
YHE24B21S	TM8X080C16MP11	21.0	CF/CM/CU30D	800	24.0	18.8	16.00	13.00	23.8	15.3	8.50	-	4.00	2.68
YHE24B21S	TM8X080C16MP11	21.0	CF/CM24C	800	24.0	17.6	15.75	13.00	23.4	14.9	8.50	-	3.74	2.46
YHE24B21S	TM8X080C16MP11	21.0	CF/CM30C	800	24.0	18.8	16.00	13.00	23.8	15.3	8.50	-	4.00	2.68
YHE24B21S	TM8X100C16MP11	21.0	CF/CM/CU30D	800	24.0	18.8	16.00	13.00	23.8	15.3	8.50	-	4.00	2.68
YHE24B21S	TM8X100C16MP11	21.0	CF/CM24C	800	24.0	17.6	15.75	13.00	23.4	14.9	8.50	-	3.74	2.46
YHE24B21S	TM8X100C16MP11	21.0	CF/CM30C	800	24.0	18.8	16.00	13.00	23.8	15.3	8.50	-	4.00	2.68
YHE24B21S	TM8X100C20MP11	21.0	CF/CM/CU30D	800	24.0	18.4	15.25	12.50	24.0	15.7	8.50	-	3.80	2.56
YHE24B21S	TM8X100C20MP11	21.0	CF/CM30C	800	24.0	18.4	15.25	12.50	24.0	15.7	8.50	-	3.80	2.56
YHE24B21S	TM8X120C20MP11	21.0	CF/CM/CU30D	800	24.0	18.4	15.25	12.50	24.0	15.7	8.50	-	3.80	2.56
YHE24B21S	TM8X120C20MP11	21.0	CF/CM30C	800	24.0	18.4	15.25	12.50	24.0	15.7	8.50	-	3.80	2.56
YHE24B21S	TM8Y060A12MP11	14.5	CF/CM/CU24A	625	23.8	16.8	15.00	12.75	24.0	15.0	8.20	6.95	3.48	2.36
YHE24B21S	TM8Y060A12MP11	14.5	CF/CM/CU24B	650	24.0	17.3	15.25	12.75	24.0	14.9	8.50	7.25	3.52	2.40
YHE24B21S	TM8Y060A12MP11	14.5	CF/CM/CU30A	625	24.0	16.4	15.75	13.00	24.0	15.1	9.00	7.65	3.74	2.64
YHE24B21S	TM8Y060A12MP11	14.5	CF/CM/CU30B	650	24.0	16.7	15.75	13.00	24.0	15.1	9.25	7.85	3.80	2.66
YHE24B21S	TM8Y060A12MP11	14.5	CF24ABAA1	625	23.8	16.8	15.00	12.75	24.0	15.0	8.20	6.95	3.48	2.36
YHE24B21S	TM8Y060A12MP11	14.5	CF24BBAA1	650	24.0	17.3	15.25	12.75	24.0	14.9	8.50	7.25	3.52	2.40
YHE24B21S	TM8Y060A12MP11	14.5	CF30ABAA1	625	24.0	16.4	15.75	13.00	24.0	15.1	9.00	7.65	3.74	2.64
YHE24B21S	TM8Y060A12MP11	14.5	CF30BBAA1	650	24.0	16.7	15.75	13.00	24.0	15.1	9.25	7.85	3.80	2.66

SYSTEM CAPACITY - With High Efficiency Motor Furnaces¹

UNIT MODEL	FURNACE		COIL MODEL ²	COOLING					HEATING					
	MODEL	WIDTH		RATED CFM	NET MBH		SEER	EER	NET MBH		HSPF Region IV	HSPF Region V	COP	
					TOTAL	SENS.			47°F OD	17°F OD			47°F OD	17°F OD
YHE24B21S	TM8Y060A12MP11	14.5	CM24ABAA1	800	24.0	17.5	15.25	12.75	23.6	15.0	8.50	–	3.70	2.44
YHE24B21S	TM8Y060A12MP11	14.5	CM24BBAA1	650	24.0	17.3	15.25	12.75	24.0	14.9	8.50	7.25	3.52	2.40
YHE24B21S	TM8Y060A12MP11	14.5	CM30BBAA1	650	24.0	16.7	15.75	13.00	24.0	15.1	9.25	7.85	3.80	2.66
YHE24B21S	TM8Y080B12MP11	17.5	CF/CM/CU24B	675	24.0	17.7	15.50	12.75	24.0	14.9	8.50	7.15	3.58	2.40
YHE24B21S	TM8Y080B12MP11	17.5	CF/CM/CU24C	675	24.0	17.6	15.50	13.00	24.0	14.9	8.50	7.20	3.58	2.40
YHE24B21S	TM8Y080B12MP11	17.5	CF/CM/CU30B	675	24.0	16.9	15.75	13.00	24.0	15.0	9.25	7.85	3.84	2.68
YHE24B21S	TM8Y080B12MP11	17.5	CF/CM/CU30C	675	24.0	16.9	15.75	13.00	24.0	15.0	9.25	7.80	3.84	2.68
YHE24B21S	TM8Y080B12MP11	17.5	CF24BBAA1	675	24.0	17.7	15.50	12.75	24.0	14.9	8.50	7.15	3.58	2.40
YHE24B21S	TM8Y080B12MP11	17.5	CF30BBAA1	725	24.0	17.9	16.00	13.00	23.6	15.3	8.50	–	3.88	2.64
YHE24B21S	TM8Y080B12MP11	17.5	CM24BBAA1	725	23.6	16.9	15.50	12.75	23.2	14.9	8.50	–	3.62	2.46
YHE24B21S	TM8Y080B12MP11	17.5	CM30BBAA1	725	24.0	17.9	16.00	13.00	23.6	15.3	8.50	–	3.88	2.64
YHE24B21S	TM8Y080C16MP11	21.0	CF/CM/CU30D	800	24.0	18.8	16.00	13.00	23.8	15.3	8.50	–	4.00	2.68
YHE24B21S	TM8Y080C16MP11	21.0	CF/CM24C	800	24.0	17.6	15.75	13.00	23.4	14.9	8.50	–	3.74	2.46
YHE24B21S	TM8Y080C16MP11	21.0	CF/CM30C	800	24.0	18.8	16.00	13.00	23.8	15.3	8.50	–	4.00	2.68
YHE24B21S	TM8Y100C16MP11	21.0	CF/CM/CU30D	800	24.0	18.8	16.00	13.00	23.8	15.3	8.50	–	4.00	2.68
YHE24B21S	TM8Y100C16MP11	21.0	CF/CM24C	800	24.0	17.6	15.75	13.00	23.4	14.9	8.50	–	3.74	2.46
YHE24B21S	TM8Y100C16MP11	21.0	CF/CM30C	800	24.0	18.8	16.00	13.00	23.8	15.3	8.50	–	4.00	2.68
YHE24B21S	TM8Y100C20MP11	21.0	CF/CM/CU30D	800	24.0	18.4	15.25	12.50	24.0	15.7	8.50	–	3.80	2.56
YHE24B21S	TM8Y100C20MP11	21.0	CF/CM30C	800	24.0	18.4	15.25	12.50	24.0	15.7	8.50	–	3.80	2.56
YHE24B21S	TM8Y120C20MP11	21.0	CF/CM/CU30D	800	24.0	18.4	15.25	12.50	24.0	15.7	8.50	–	3.80	2.56
YHE24B21S	TM8Y120C20MP11	21.0	CF/CM30C	800	24.0	18.4	15.25	12.50	24.0	15.7	8.50	–	3.80	2.56
YHE24B21S	TM9E040A10MP11	14.5	CF/CM/CU24A	675	23.8	17.3	14.50	12.25	24.0	15.2	8.20	6.95	3.48	2.34
YHE24B21S	TM9E040A10MP11	14.5	CF/CM/CU24B	700	24.0	17.7	14.50	12.25	24.0	15.1	8.50	7.20	3.52	2.36
YHE24B21S	TM9E040A10MP11	14.5	CF/CM/CU30A	675	24.0	18.1	15.50	13.00	24.0	15.3	9.00	7.65	3.72	2.60
YHE24B21S	TM9E040A10MP11	14.5	CF/CM/CU30B	700	24.0	17.2	15.75	13.00	24.0	15.3	9.25	7.85	3.78	2.60
YHE24B21S	TM9E040A10MP11	14.5	CF24ABAA1	675	23.8	17.3	14.50	12.25	24.0	15.2	8.20	6.95	3.48	2.34
YHE24B21S	TM9E040A10MP11	14.5	CF24BBAA1	700	24.0	17.7	14.50	12.25	24.0	15.1	8.50	7.20	3.52	2.36
YHE24B21S	TM9E040A10MP11	14.5	CF30ABAA1	675	24.0	18.1	15.50	13.00	24.0	15.3	9.00	7.65	3.72	2.60
YHE24B21S	TM9E040A10MP11	14.5	CF30BBAA1	700	24.0	17.2	15.75	13.00	24.0	15.3	9.25	7.85	3.78	2.60
YHE24B21S	TM9E040A10MP11	14.5	CM24ABAA1	750	23.8	16.9	14.50	12.00	23.6	15.2	8.25	–	3.54	2.40
YHE24B21S	TM9E040A10MP11	14.5	CM24BBAA1	700	24.0	17.7	14.50	12.25	24.0	15.1	8.50	7.20	3.52	2.36
YHE24B21S	TM9E040A10MP11	14.5	CM30BBAA1	700	24.0	17.2	15.75	13.00	24.0	15.3	9.25	7.85	3.78	2.60
YHE24B21S	TM9E040A10MP12	14.5	CF/CM/CU24A	650	23.8	16.2	14.50	12.25	24.0	15.5	9.00	7.30	3.70	2.58
YHE24B21S	TM9E040A10MP12	14.5	CF/CM/CU24B	825	24.0	17.8	14.25	12.20	24.0	16.1	9.00	7.10	3.78	2.54
YHE24B21S	TM9E040A10MP12	14.5	CF/CM/CU30A	775	24.0	18.9	15.00	13.00	24.0	14.9	8.50	6.80	3.48	2.30
YHE24B21S	TM9E040A10MP12	14.5	CF/CM/CU30B	875	24.0	20.1	15.00	13.00	24.0	15.2	9.00	7.25	3.80	2.52
YHE24B21S	TM9E040A10MP12	14.5	CF24ABAA1	650	23.8	16.2	14.50	12.25	24.0	15.5	9.00	7.30	3.70	2.58

SYSTEM CAPACITY - With High Efficiency Motor Furnaces¹

UNIT MODEL	FURNACE		COIL MODEL ²	COOLING					HEATING					
	MODEL	WIDTH		RATED CFM	NET MBH		SEER	EER	NET MBH		HSPF Region IV	HSPF Region V	COP	
					TOTAL	SENS.			47°F OD	17°F OD			47°F OD	17°F OD
YHE24B21S	TM9E040A10MP12	14.5	CF24BBAA1	825	24.0	17.8	14.25	12.20	24.0	16.1	9.00	7.10	3.78	2.54
YHE24B21S	TM9E040A10MP12	14.5	CF30ABAA1	775	24.0	18.9	15.00	13.00	24.0	14.9	8.50	6.80	3.48	2.30
YHE24B21S	TM9E040A10MP12	14.5	CF30BBAA1	875	24.0	20.1	15.00	13.00	24.0	15.2	9.00	7.25	3.80	2.52
YHE24B21S	TM9E040A10MP12	14.5	CM24ABAA1	650	23.8	16.2	14.50	12.25	24.0	15.5	9.00	7.30	3.70	2.58
YHE24B21S	TM9E040A10MP12	14.5	CM24BBAA1	825	24.0	17.8	14.25	12.20	24.0	16.1	9.00	7.10	3.78	2.54
YHE24B21S	TM9E040A10MP12	14.5	CM30BBAA1	875	24.0	20.1	15.00	13.00	24.0	15.2	9.00	7.25	3.80	2.52
YHE24B21S	TM9E060A10MP12	14.5	CF/CM/CU24A	800	24.0	17.7	14.50	12.25	24.0	16.0	9.00	7.15	3.94	2.68
YHE24B21S	TM9E060A10MP12	14.5	CF/CM/CU24B	700	24.0	16.8	15.00	12.50	24.0	15.5	9.00	7.00	3.84	2.64
YHE24B21S	TM9E060A10MP12	14.5	CF/CM/CU30A	825	24.0	19.5	15.00	13.00	24.0	15.0	8.50	6.95	3.56	2.36
YHE24B21S	TM9E060A10MP12	14.5	CF/CM/CU30B	850	24.0	19.9	15.75	13.00	24.0	14.9	9.00	7.20	3.84	2.54
YHE24B21S	TM9E060A10MP12	14.5	CF24ABAA1	800	24.0	17.7	14.50	12.25	24.0	16.0	9.00	7.15	3.94	2.68
YHE24B21S	TM9E060A10MP12	14.5	CF24BBAA1	700	24.0	16.8	15.00	12.50	24.0	15.5	9.00	7.00	3.84	2.64
YHE24B21S	TM9E060A10MP12	14.5	CF30ABAA1	825	24.0	19.5	15.00	13.00	24.0	15.0	8.50	6.95	3.56	2.36
YHE24B21S	TM9E060A10MP12	14.5	CF30BBAA1	850	24.0	19.9	15.75	13.00	24.0	14.9	9.00	7.20	3.84	2.54
YHE24B21S	TM9E060A10MP12	14.5	CM24ABAA1	800	24.0	17.7	14.50	12.25	24.0	16.0	9.00	7.15	3.94	2.68
YHE24B21S	TM9E060A10MP12	14.5	CM24BBAA1	700	24.0	16.8	15.00	12.50	24.0	15.5	9.00	7.00	3.84	2.64
YHE24B21S	TM9E060A10MP12	14.5	CM30BBAA1	850	24.0	19.9	15.75	13.00	24.0	14.9	9.00	7.20	3.84	2.54
YHE24B21S	TM9E060B12MP11	17.5	CF/CM/CU24B	750	24.0	17.1	15.50	12.75	23.4	15.0	8.50	-	3.66	2.46
YHE24B21S	TM9E060B12MP11	17.5	CF/CM/CU30B	750	24.0	18.2	16.00	13.00	23.8	15.3	8.50	-	3.90	2.64
YHE24B21S	TM9E060B12MP11	17.5	CF24BBAA1	750	24.0	17.1	15.50	12.75	23.4	15.0	8.50	-	3.66	2.46
YHE24B21S	TM9E060B12MP11	17.5	CF30BBAA1	750	24.0	18.2	16.00	13.00	23.8	15.3	8.50	-	3.90	2.64
YHE24B21S	TM9E060B12MP11	17.5	CM24BBAA1	750	24.0	17.1	15.50	12.75	23.4	15.0	8.50	-	3.66	2.46
YHE24B21S	TM9E060B12MP11	17.5	CM30BBAA1	750	24.0	18.2	16.00	13.00	23.8	15.3	8.50	-	3.90	2.64
YHE24B21S	TM9E060B12MP12	17.5	CF/CM/CU24B	750	24.0	17.3	15.00	12.50	24.0	15.7	9.00	6.70	3.92	2.68
YHE24B21S	TM9E060B12MP12	17.5	CF/CM/CU30B	750	24.0	18.9	15.75	13.00	23.8	14.5	9.00	7.25	3.70	2.48
YHE24B21S	TM9E060B12MP12	17.5	CF/CM24C	750	24.0	17.3	15.00	12.50	24.0	15.7	9.00	6.70	3.92	2.68
YHE24B21S	TM9E060B12MP12	17.5	CF/CM30C	750	24.0	18.9	15.75	13.00	23.8	14.5	9.00	7.25	3.70	2.50
YHE24B21S	TM9E060B12MP12	17.5	CF24BBAA1	750	24.0	17.3	15.00	12.50	24.0	15.7	9.00	6.70	3.92	2.68
YHE24B21S	TM9E060B12MP12	17.5	CF30BBAA1	750	24.0	18.9	15.75	13.00	23.8	14.5	9.00	7.25	3.70	2.48
YHE24B21S	TM9E060B12MP12	17.5	CM24BBAA1	750	24.0	17.3	15.00	12.50	24.0	15.7	9.00	6.70	3.92	2.68
YHE24B21S	TM9E060B12MP12	17.5	CM30BBAA1	750	24.0	18.9	15.75	13.00	23.8	14.5	9.00	7.25	3.70	2.48
YHE24B21S	TM9E080B12MP11	17.5	CF/CM/CU24B	700	24.0	17.9	15.25	12.75	24.0	14.9	8.50	7.15	3.60	2.42
YHE24B21S	TM9E080B12MP11	17.5	CF/CM/CU24C	700	24.0	17.9	15.50	13.00	24.0	14.9	8.50	7.15	3.60	2.42
YHE24B21S	TM9E080B12MP11	17.5	CF/CM/CU30B	700	24.0	17.2	15.75	13.00	24.0	15.1	9.25	7.80	3.90	2.66
YHE24B21S	TM9E080B12MP11	17.5	CF/CM/CU30C	700	24.0	17.2	15.75	13.00	24.0	15.1	9.25	7.75	3.90	2.68
YHE24B21S	TM9E080B12MP11	17.5	CF24BBAA1	700	24.0	17.9	15.25	12.75	24.0	14.9	8.50	7.15	3.60	2.42
YHE24B21S	TM9E080B12MP11	17.5	CF30BBAA1	750	24.0	18.2	16.00	13.00	23.8	15.3	8.50	-	3.90	2.64

SYSTEM CAPACITY - With High Efficiency Motor Furnaces¹

UNIT MODEL	FURNACE		COIL MODEL ²	COOLING					HEATING					
	MODEL	WIDTH		RATED CFM	NET MBH		SEER	EER	NET MBH		HSPF Region IV	HSPF Region V	COP	
					TOTAL	SENS.			47°F OD	17°F OD			47°F OD	17°F OD
YHE24B21S	TM9E080B12MP11	17.5	CM24BBAA1	750	24.0	17.1	15.50	12.75	23.4	15.0	8.50	–	3.66	2.46
YHE24B21S	TM9E080B12MP11	17.5	CM30BBAA1	750	24.0	18.2	16.00	13.00	23.8	15.3	8.50	–	3.90	2.64
YHE24B21S	TM9E080B12MP12	17.5	CF/CM/CU24B	800	24.0	17.9	15.00	13.00	24.0	15.8	9.00	7.00	3.84	2.58
YHE24B21S	TM9E080B12MP12	17.5	CF/CM/CU30B	950	24.0	21.1	15.75	13.00	24.0	15.2	9.00	7.20	3.84	2.48
YHE24B21S	TM9E080B12MP12	17.5	CF/CM24C	800	24.0	17.9	15.00	13.00	24.0	15.8	9.00	7.00	3.84	2.58
YHE24B21S	TM9E080B12MP12	17.5	CF/CM30C	825	24.0	19.9	15.75	13.00	24.0	14.7	8.50	6.65	3.68	2.42
YHE24B21S	TM9E080B12MP12	17.5	CF24BBAA1	800	24.0	17.9	15.00	13.00	24.0	15.8	9.00	7.00	3.84	2.58
YHE24B21S	TM9E080B12MP12	17.5	CF30BBAA1	950	24.0	21.1	15.75	13.00	24.0	15.2	9.00	7.20	3.84	2.48
YHE24B21S	TM9E080B12MP12	17.5	CM24BBAA1	800	24.0	17.9	15.00	13.00	24.0	15.8	9.00	7.00	3.84	2.58
YHE24B21S	TM9E080B12MP12	17.5	CM30BBAA1	950	24.0	21.1	15.75	13.00	24.0	15.2	9.00	7.20	3.84	2.48
YHE24B21S	TM9E080C16MP11	21.0	CF/CM24C	750	24.0	17.2	15.50	12.75	23.4	14.9	8.50	–	3.68	2.48
YHE24B21S	TM9E080C16MP11	21.0	CF/CM30C	750	24.0	18.3	16.00	13.00	23.8	15.3	8.50	–	3.94	2.66
YHE24B21S	TM9E080C16MP12	21.0	CF/CM24C	900	24.0	19.0	15.25	13.00	24.0	16.1	9.00	6.90	4.22	2.82
YHE24B21S	TM9E080C16MP12	21.0	CF/CM30C	900	24.0	20.7	15.75	13.00	24.0	14.9	9.00	7.05	4.00	2.62
YHE24B21S	TM9E100C16MP11	21.0	CF/CM/CU30D	650	24.0	16.7	15.75	13.00	24.0	15.0	9.25	7.85	3.82	2.66
YHE24B21S	TM9E100C16MP11	21.0	CF/CM24C	750	24.0	17.2	15.50	12.75	23.4	14.9	8.50	–	3.68	2.48
YHE24B21S	TM9E100C16MP11	21.0	CF/CM30C	750	24.0	18.3	16.00	13.00	23.8	15.3	8.50	–	3.94	2.66
YHE24B21S	TM9E100C16MP12	21.0	CF/CM24C	950	24.0	19.5	15.25	13.00	24.0	16.2	9.00	6.90	4.32	2.88
YHE24B21S	TM9E100C16MP12	21.0	CF/CM30C	950	24.0	21.3	15.75	13.00	24.0	15.1	9.00	7.00	4.10	2.66
YHE24B21S	TM9E100C20MP11	21.0	CF/CM/CU30D	800	24.0	18.5	15.75	12.75	24.0	15.5	8.50	–	3.86	2.60
YHE24B21S	TM9E100C20MP11	21.0	CF/CM24C	800	24.0	17.4	15.00	12.25	23.6	15.1	8.50	–	3.64	2.40
YHE24B21S	TM9E100C20MP11	21.0	CF/CM30C	800	24.0	18.5	15.75	12.75	24.0	15.5	8.50	–	3.86	2.60
YHE24B21S	TM9E120D20MP11	24.5	CF/CM/CU30D	800	24.0	18.6	16.00	13.00	24.0	15.5	8.50	–	3.90	2.62
YHE24B21S	TM9V040A10MP11C	14.5	CF/CM/CU24A	675	23.2	15.9	14.00	11.75	23.6	15.3	8.25	–	3.42	2.34
YHE24B21S	TM9V040A10MP11C	14.5	CF/CM/CU30A	700	24.0	17.3	15.00	12.25	24.0	15.6	8.25	–	3.68	2.52
YHE24B21S	TM9V060B12MP11C	17.5	CF/CM/CU24B	600	23.6	16.5	15.00	12.50	24.0	15.0	8.20	6.95	3.42	2.36
YHE24B21S	TM9V060B12MP11C	17.5	CF/CM/CU30B	600	24.0	16.2	15.75	13.00	24.0	15.1	9.00	7.65	3.72	2.62
YHE24B21S	TM9V060B12MP11C	17.5	CF24BBAA1	600	23.6	16.5	15.00	12.50	24.0	15.0	8.20	6.95	3.42	2.36
YHE24B21S	TM9V060B12MP11C	17.5	CF30BBAA1	600	24.0	16.2	15.75	13.00	24.0	15.1	9.00	7.65	3.72	2.62
YHE24B21S	TM9V060B12MP11C	17.5	CM24BBAA1	600	23.6	16.5	15.00	12.50	24.0	15.0	8.20	6.95	3.42	2.36
YHE24B21S	TM9V060B12MP11C	17.5	CM30BBAA1	600	24.0	16.2	15.75	13.00	24.0	15.1	9.00	7.65	3.72	2.62
YHE24B21S	TM9V060B12MP12C	17.5	CF/CM/CU24B	600	23.6	16.5	15.00	12.50	24.0	15.0	8.20	6.95	3.42	2.36
YHE24B21S	TM9V060B12MP12C	17.5	CF/CM/CU24C	650	24.0	17.3	15.25	12.75	24.0	14.9	8.50	7.25	3.50	2.40
YHE24B21S	TM9V060B12MP12C	17.5	CF/CM/CU30B	600	24.0	16.2	15.75	13.00	24.0	15.1	9.00	7.65	3.72	2.62
YHE24B21S	TM9V060B12MP12C	17.5	CF/CM/CU30C	650	24.0	16.7	15.75	13.00	24.0	15.1	9.25	7.85	3.80	2.64
YHE24B21S	TM9V060B12MP12C	17.5	CF24BBAA1	600	23.6	16.5	15.00	12.50	24.0	15.0	8.20	6.95	3.42	2.36
YHE24B21S	TM9V060B12MP12C	17.5	CF30BBAA1	600	24.0	16.2	15.75	13.00	24.0	15.1	9.00	7.65	3.72	2.62

SYSTEM CAPACITY - With High Efficiency Motor Furnaces¹

UNIT MODEL	FURNACE		COIL MODEL ²	COOLING					HEATING					
	MODEL	WIDTH		RATED CFM	NET MBH		SEER	EER	NET MBH		HSPF Region IV	HSPF Region V	COP	
					TOTAL	SENS.			47°F OD	17°F OD			47°F OD	17°F OD
YHE24B21S	TM9V060B12MP12C	17.5	CM24BBAA1	600	23.6	16.5	15.00	12.50	24.0	15.0	8.20	6.95	3.42	2.36
YHE24B21S	TM9V060B12MP12C	17.5	CM30BBAA1	600	24.0	16.2	15.75	13.00	24.0	15.1	9.00	7.65	3.72	2.62
YHE24B21S	TM9V080B12MP11C	17.5	CF/CM/CU24B	625	23.8	16.8	15.25	12.75	24.0	14.9	8.20	6.95	3.48	2.38
YHE24B21S	TM9V080B12MP11C	17.5	CF/CM/CU30B	625	24.0	16.5	15.75	13.00	24.0	15.0	9.25	7.90	3.76	2.66
YHE24B21S	TM9V080B12MP11C	17.5	CF24BBAA1	625	23.8	16.8	15.25	12.75	24.0	14.9	8.20	6.95	3.48	2.38
YHE24B21S	TM9V080B12MP11C	17.5	CF30BBAA1	625	24.0	16.5	15.75	13.00	24.0	15.0	9.25	7.90	3.76	2.66
YHE24B21S	TM9V080B12MP11C	17.5	CM24BBAA1	625	23.8	16.8	15.25	12.75	24.0	14.9	8.20	6.95	3.48	2.38
YHE24B21S	TM9V080B12MP11C	17.5	CM30BBAA1	625	24.0	16.5	15.75	13.00	24.0	15.0	9.25	7.90	3.76	2.66
YHE24B21S	TM9V080B12MP12C	17.5	CF/CM/CU24B	625	23.8	16.8	15.25	12.75	24.0	14.9	8.20	6.95	3.48	2.38
YHE24B21S	TM9V080B12MP12C	17.5	CF/CM/CU24C	675	24.0	17.7	15.50	12.75	24.0	14.9	8.50	7.20	3.58	2.40
YHE24B21S	TM9V080B12MP12C	17.5	CF/CM/CU30B	625	24.0	16.5	15.75	13.00	24.0	15.0	9.25	7.90	3.76	2.66
YHE24B21S	TM9V080B12MP12C	17.5	CF/CM/CU30C	675	24.0	16.9	15.75	13.00	24.0	15.0	9.25	7.80	3.84	2.68
YHE24B21S	TM9V080B12MP12C	17.5	CF24BBAA1	625	23.8	16.8	15.25	12.75	24.0	14.9	8.20	6.95	3.48	2.38
YHE24B21S	TM9V080B12MP12C	17.5	CF30BBAA1	625	24.0	16.5	15.75	13.00	24.0	15.0	9.25	7.90	3.76	2.66
YHE24B21S	TM9V080B12MP12C	17.5	CM24BBAA1	625	23.8	16.8	15.25	12.75	24.0	14.9	8.20	6.95	3.48	2.38
YHE24B21S	TM9V080B12MP12C	17.5	CM30BBAA1	625	24.0	16.5	15.75	13.00	24.0	15.0	9.25	7.90	3.76	2.66
YHE24B21S	TM9V080C16MP12C	21.0	CF/CM/CU30C	950	24.0	19.5	15.75	13.00	24.0	15.1	9.50	7.90	4.08	2.72
YHE24B21S	TM9V080C16MP12C	21.0	CF/CM/CU30D	950	24.0	19.5	15.75	13.00	24.0	15.1	9.50	7.90	4.10	2.72
YHE24B21S	TM9V100C16MP12C	21.0	CF/CM/CU24C	900	24.0	19.1	15.00	12.75	23.4	14.3	8.75	7.35	3.76	2.54
YHE24B21S	TM9V100C16MP12C	21.0	CF/CM/CU30C	900	24.0	19.0	15.75	13.00	24.0	15.0	9.50	7.90	4.10	2.74
YHE24B21S	TM9V100C16MP12C	21.0	CF/CM/CU30D	900	24.0	19.0	15.75	13.00	24.0	15.0	9.50	7.90	4.10	2.74
YHE24B21S	TM9Y040A10MP11	14.5	CF/CM/CU24A	675	23.8	17.3	14.50	12.25	24.0	15.2	8.20	6.95	3.48	2.34
YHE24B21S	TM9Y040A10MP11	14.5	CF/CM/CU24B	700	24.0	17.7	14.50	12.25	24.0	15.1	8.50	7.20	3.52	2.36
YHE24B21S	TM9Y040A10MP11	14.5	CF/CM/CU30A	675	24.0	18.1	15.50	13.00	24.0	15.3	9.00	7.65	3.72	2.60
YHE24B21S	TM9Y040A10MP11	14.5	CF/CM/CU30B	700	24.0	17.2	15.75	13.00	24.0	15.3	9.25	7.85	3.78	2.60
YHE24B21S	TM9Y040A10MP11	14.5	CF24ABAA1	675	23.8	17.3	14.50	12.25	24.0	15.2	8.20	6.95	3.48	2.34
YHE24B21S	TM9Y040A10MP11	14.5	CF24BBAA1	700	24.0	17.7	14.50	12.25	24.0	15.1	8.50	7.20	3.52	2.36
YHE24B21S	TM9Y040A10MP11	14.5	CF30ABAA1	675	24.0	18.1	15.50	13.00	24.0	15.3	9.00	7.65	3.72	2.60
YHE24B21S	TM9Y060B12MP11	17.5	CF/CM/CU24B	750	24.0	17.1	15.50	12.75	23.4	15.0	8.50	-	3.66	2.46
YHE24B21S	TM9Y060B12MP11	17.5	CF/CM/CU30B	750	24.0	18.2	16.00	13.00	23.8	15.3	8.50	-	3.90	2.64
YHE24B21S	TM9Y060B12MP11	17.5	CF24BBAA1	750	24.0	17.1	15.50	12.75	23.4	15.0	8.50	-	3.66	2.46
YHE24B21S	TM9Y060B12MP11	17.5	CF30BBAA1	750	24.0	18.2	16.00	13.00	23.8	15.3	8.50	-	3.90	2.64
YHE24B21S	TM9Y060B12MP11	17.5	CM24BBAA1	750	24.0	17.1	15.50	12.75	23.4	15.0	8.50	-	3.66	2.46
YHE24B21S	TM9Y060B12MP11	17.5	CM30BBAA1	750	24.0	18.2	16.00	13.00	23.8	15.3	8.50	-	3.90	2.64
YHE24B21S	TM9Y080B12MP11	17.5	CF/CM/CU24B	700	24.0	17.9	15.25	12.75	24.0	14.9	8.50	7.15	3.60	2.42
YHE24B21S	TM9Y080B12MP11	17.5	CF/CM/CU24C	700	24.0	17.9	15.50	13.00	24.0	14.9	8.50	7.15	3.60	2.42
YHE24B21S	TM9Y080B12MP11	17.5	CF/CM/CU30B	750	24.0	18.2	16.00	13.00	23.8	15.3	8.50	-	3.90	2.64

SYSTEM CAPACITY - With High Efficiency Motor Furnaces¹

UNIT MODEL	FURNACE		COIL MODEL ²	COOLING					HEATING					
	MODEL	WIDTH		RATED CFM	NET MBH		SEER	EER	NET MBH		HSPF Region IV	HSPF Region V	COP	
					TOTAL	SENS.			47°F OD	17°F OD			47°F OD	17°F OD
YHE24B21S	TM9Y080B12MP11	17.5	CF/CM/CU30C	700	24.0	17.2	15.75	13.00	24.0	15.1	9.25	7.75	3.90	2.68
YHE24B21S	TM9Y080B12MP11	17.5	CF24BBAA1	700	24.0	17.9	15.25	12.75	24.0	14.9	8.50	7.15	3.60	2.42
YHE24B21S	TM9Y080C16MP11	21.0	CF/CM24C	750	24.0	17.2	15.50	12.75	23.4	14.9	8.50	-	3.68	2.48
YHE24B21S	TM9Y080C16MP11	21.0	CF/CM30C	750	24.0	18.3	16.00	13.00	23.8	15.3	8.50	-	3.94	2.66
YHE24B21S	TM9Y100C16MP11	21.0	CF/CM/CU30D	650	24.0	16.7	15.75	13.00	24.0	15.0	9.25	7.85	3.82	2.66
YHE24B21S	TM9Y100C16MP11	21.0	CF/CM24C	750	24.0	17.2	15.50	12.75	23.4	14.9	8.50	-	3.68	2.48
YHE24B21S	TM9Y100C16MP11	21.0	CF/CM30C	750	24.0	18.3	16.00	13.00	23.8	15.3	8.50	-	3.94	2.66
YHE24B21S	TM9Y100C20MP11	21.0	CF/CM/CU30D	800	24.0	18.5	15.75	12.75	24.0	15.5	8.50	-	3.86	2.60
YHE24B21S	TM9Y100C20MP11	21.0	CF/CM24C	800	24.0	17.4	15.00	12.25	23.6	15.1	8.50	-	3.64	2.40
YHE24B21S	TM9Y100C20MP11	21.0	CF/CM30C	800	24.0	18.5	15.75	12.75	24.0	15.5	8.50	-	3.86	2.60
YHE24B21S	TM9Y120D20MP11	24.5	CF/CM/CU30D	800	24.0	18.6	16.00	13.00	24.0	15.5	8.50	-	3.90	2.62
YHE24B21S	TMLE040A12MP11	14.5	CF/CM/CU24A	725	24.0	16.9	15.00	13.00	24.0	15.6	9.00	7.40	3.70	2.52
YHE24B21S	TMLE040A12MP11	14.5	CF/CM/CU24B	700	24.0	16.8	15.25	13.00	24.0	15.4	9.00	7.20	3.68	2.52
YHE24B21S	TMLE040A12MP11	14.5	CF/CM/CU30A	825	24.0	19.7	15.75	13.00	24.0	14.8	9.00	7.25	3.80	2.54
YHE24B21S	TMLE040A12MP11	14.5	CF/CM/CU30B	875	24.0	20.3	15.75	13.00	24.0	14.9	9.00	7.15	3.92	2.58
YHE24B21S	TMLE040A12MP11	14.5	CF24ABAA1	725	24.0	16.9	15.00	13.00	24.0	15.6	9.00	7.40	3.70	2.52
YHE24B21S	TMLE040A12MP11	14.5	CF24BBAA1	700	24.0	16.8	15.25	13.00	24.0	15.4	9.00	7.20	3.68	2.52
YHE24B21S	TMLE040A12MP11	14.5	CF30ABAA1	825	24.0	19.7	15.75	13.00	24.0	14.8	9.00	7.25	3.80	2.54
YHE24B21S	TMLE040A12MP11	14.5	CF30BBAA1	875	24.0	20.3	15.75	13.00	24.0	14.9	9.00	7.15	3.92	2.58
YHE24B21S	TMLE040A12MP11	14.5	CM24ABAA1	725	24.0	16.9	15.00	13.00	24.0	15.6	9.00	7.40	3.70	2.52
YHE24B21S	TMLE040A12MP11	14.5	CM24BBAA1	700	24.0	16.8	15.25	13.00	24.0	15.4	9.00	7.20	3.68	2.52
YHE24B21S	TMLE040A12MP11	14.5	CM30BBAA1	875	24.0	20.3	15.75	13.00	24.0	14.9	9.00	7.15	3.92	2.58
YHE24B21S	TMLE060A12MP11	14.5	CF/CM/CU24A	775	24.0	17.5	15.00	12.50	24.0	15.8	9.00	7.20	3.78	2.54
YHE24B21S	TMLE060A12MP11	14.5	CF/CM/CU24B	750	24.0	17.3	15.25	13.00	24.0	15.6	9.00	7.15	3.76	2.54
YHE24B21S	TMLE060A12MP11	14.5	CF/CM/CU30A	825	24.0	19.7	15.75	13.00	24.0	14.8	9.00	7.25	3.80	2.54
YHE24B21S	TMLE060A12MP11	14.5	CF/CM/CU30B	825	24.0	19.7	15.75	13.00	24.0	14.7	9.00	7.10	3.86	2.56
YHE24B21S	TMLE060A12MP11	14.5	CF24ABAA1	775	24.0	17.5	15.00	12.50	24.0	15.8	9.00	7.20	3.78	2.54
YHE24B21S	TMLE060A12MP11	14.5	CF24BBAA1	750	24.0	17.3	15.25	13.00	24.0	15.6	9.00	7.15	3.76	2.54
YHE24B21S	TMLE060A12MP11	14.5	CF30ABAA1	825	24.0	19.7	15.75	13.00	24.0	14.8	9.00	7.25	3.80	2.54
YHE24B21S	TMLE060A12MP11	14.5	CF30BBAA1	825	24.0	19.7	15.75	13.00	24.0	14.7	9.00	7.10	3.86	2.56
YHE24B21S	TMLE060A12MP11	14.5	CM24ABAA1	775	24.0	17.5	15.00	12.50	24.0	15.8	9.00	7.20	3.78	2.54
YHE24B21S	TMLE060A12MP11	14.5	CM24BBAA1	750	24.0	17.3	15.25	13.00	24.0	15.6	9.00	7.15	3.76	2.54
YHE24B21S	TMLE060A12MP11	14.5	CM30BBAA1	825	24.0	19.7	15.75	13.00	24.0	14.7	9.00	7.10	3.86	2.56
YHE24B21S	TMLE080B12MP11	17.5	CF/CM/CU24B	725	24.0	17.1	15.25	13.00	24.0	15.5	9.00	7.30	3.72	2.52
YHE24B21S	TMLE080B12MP11	17.5	CF/CM/CU30B	900	24.0	20.7	15.75	13.00	24.0	15.0	9.00	7.15	3.78	2.46
YHE24B21S	TMLE080B12MP11	17.5	CF/CM24C	925	24.0	19.1	15.00	13.00	24.0	16.2	9.00	7.00	4.06	2.68
YHE24B21S	TMLE080B12MP11	17.5	CF/CM30C	925	24.0	20.9	15.75	13.00	24.0	15.0	9.00	7.20	3.84	2.48

SYSTEM CAPACITY - With High Efficiency Motor Furnaces¹

UNIT MODEL	FURNACE		COIL MODEL ²	COOLING					HEATING					
	MODEL	WIDTH		RATED CFM	NET MBH		SEER	EER	NET MBH		HSPF Region IV	HSPF Region V	COP	
					TOTAL	SENS.			47°F OD	17°F OD			47°F OD	17°F OD
YHE24B21S	TMLE080B12MP11	17.5	CF24BBAA1	725	24.0	17.1	15.25	13.00	24.0	15.5	9.00	7.30	3.72	2.52
YHE24B21S	TMLE080B12MP11	17.5	CF30BBAA1	900	24.0	20.7	15.75	13.00	24.0	15.0	9.00	7.15	3.78	2.46
YHE24B21S	TMLE080B12MP11	17.5	CM24BBAA1	725	24.0	17.1	15.25	13.00	24.0	15.5	9.00	7.30	3.72	2.52
YHE24B21S	TMLE080B12MP11	17.5	CM30BBAA1	900	24.0	20.7	15.75	13.00	24.0	15.0	9.00	7.15	3.78	2.46
YHE24B21S	TMLE080C16MP11	21.0	CF/CM24C	825	24.0	18.2	15.50	13.00	24.0	15.8	9.00	6.20	4.12	2.78
YHE24B21S	TMLE080C16MP11	21.0	CF/CM30C	825	24.0	19.9	15.75	13.00	24.0	14.6	9.00	7.05	3.90	2.58
YHE24B21S	TMLE100B12MP11	17.5	CF/CM/CU24B	725	24.0	17.1	15.25	13.00	24.0	15.5	9.00	6.70	3.92	2.70
YHE24B21S	TMLE100B12MP11	17.5	CF/CM/CU30B	925	24.0	20.9	15.75	13.00	24.0	15.0	9.00	7.20	3.84	2.48
YHE24B21S	TMLE100B12MP11	17.5	CF/CM24C	850	24.0	18.4	15.25	13.00	24.0	15.9	9.00	7.20	3.94	2.64
YHE24B21S	TMLE100B12MP11	17.5	CF/CM30C	925	24.0	20.9	15.75	13.00	24.0	15.0	9.00	7.20	3.84	2.48
YHE24B21S	TMLE100B12MP11	17.5	CF24BBAA1	725	24.0	17.1	15.25	13.00	24.0	15.5	9.00	6.70	3.92	2.70
YHE24B21S	TMLE100B12MP11	17.5	CF30BBAA1	925	24.0	20.9	15.75	13.00	24.0	15.0	9.00	7.20	3.84	2.48
YHE24B21S	TMLE100B12MP11	17.5	CM24BBAA1	725	24.0	17.1	15.25	13.00	24.0	15.5	9.00	6.70	3.92	2.70
YHE24B21S	TMLE100B12MP11	17.5	CM30BBAA1	925	24.0	20.9	15.75	13.00	24.0	15.0	9.00	7.20	3.84	2.48
YHE24B21S	TMLE100C16MP11	21.0	CF/CM24C	800	24.0	17.9	15.50	13.00	24.0	15.7	9.00	6.30	4.08	2.76
YHE24B21S	TMLE100C16MP11	21.0	CF/CM30C	950	24.0	21.3	15.75	13.00	24.0	15.0	9.00	6.95	4.10	2.68
YHE24B21S	TMLE120C16MP11	21.0	CF/CM24C	800	24.0	17.9	15.50	13.00	24.0	15.7	9.00	6.30	4.08	2.76
YHE24B21S	TMLE120C16MP11	21.0	CF/CM30C	800	24.0	19.5	15.75	13.00	24.0	14.6	9.00	7.20	3.84	2.56
YHE24B21S	TMLV060A12MP11C	14.5	CF/CM/CU24A	625	23.8	16.8	15.00	12.75	24.0	15.0	8.20	6.95	3.48	2.36
YHE24B21S	TMLV060A12MP11C	14.5	CF/CM/CU24B	625	23.8	16.8	15.25	12.75	24.0	14.9	8.20	6.95	3.48	2.38
YHE24B21S	TMLV060A12MP11C	14.5	CF/CM/CU30A	625	24.0	16.5	15.75	13.00	24.0	15.1	9.25	7.85	3.76	2.64
YHE24B21S	TMLV060A12MP11C	14.5	CF/CM/CU30B	625	24.0	16.5	15.75	13.00	24.0	15.0	9.25	7.90	3.78	2.66
YHE24B21S	TMLV060A12MP11C	14.5	CF24ABAA1	625	23.8	16.8	15.00	12.75	24.0	15.0	8.20	6.95	3.48	2.36
YHE24B21S	TMLV060A12MP11C	14.5	CF24BBAA1	625	23.8	16.8	15.25	12.75	24.0	14.9	8.20	6.95	3.48	2.38
YHE24B21S	TMLV060A12MP11C	14.5	CF30ABAA1	625	24.0	16.5	15.75	13.00	24.0	15.1	9.25	7.85	3.76	2.64
YHE24B21S	TMLV060A12MP11C	14.5	CF30BBAA1	625	24.0	16.5	15.75	13.00	24.0	15.0	9.25	7.90	3.78	2.66
YHE24B21S	TMLV060A12MP11C	14.5	CM24ABAA1	625	23.8	16.8	15.00	12.75	24.0	15.0	8.20	6.95	3.48	2.36
YHE24B21S	TMLV060A12MP11C	14.5	CM24BBAA1	625	23.8	16.8	15.25	12.75	24.0	14.9	8.20	6.95	3.48	2.38
YHE24B21S	TMLV060A12MP11C	14.5	CM30BBAA1	625	24.0	16.5	15.75	13.00	24.0	15.0	9.25	7.90	3.78	2.66
YHE24B21S	TMLV060A12MP12C	14.5	CF/CM/CU24A	625	23.8	16.8	15.00	12.75	24.0	15.0	8.20	6.95	3.48	2.36
YHE24B21S	TMLV060A12MP12C	14.5	CF/CM/CU24B	625	23.8	16.8	15.25	12.75	24.0	14.9	8.20	6.95	3.48	2.38
YHE24B21S	TMLV060A12MP12C	14.5	CF/CM/CU30A	625	24.0	16.5	15.75	13.00	24.0	15.1	9.25	7.85	3.76	2.64
YHE24B21S	TMLV060A12MP12C	14.5	CF/CM/CU30B	625	24.0	16.5	15.75	13.00	24.0	15.0	9.25	7.90	3.78	2.66
YHE24B21S	TMLV060A12MP12C	14.5	CF24ABAA1	625	23.8	16.8	15.00	12.75	24.0	15.0	8.20	6.95	3.48	2.36
YHE24B21S	TMLV060A12MP12C	14.5	CF24BBAA1	625	23.8	16.8	15.25	12.75	24.0	14.9	8.20	6.95	3.48	2.38
YHE24B21S	TMLV060A12MP12C	14.5	CF30ABAA1	625	24.0	16.5	15.75	13.00	24.0	15.1	9.25	7.85	3.76	2.64
YHE24B21S	TMLV060A12MP12C	14.5	CF30BBAA1	625	24.0	16.5	15.75	13.00	24.0	15.0	9.25	7.90	3.78	2.66

SYSTEM CAPACITY - With High Efficiency Motor Furnaces¹

UNIT MODEL	FURNACE		COIL MODEL ²	COOLING					HEATING					
	MODEL	WIDTH		RATED CFM	NET MBH		SEER	EER	NET MBH		HSPF Region IV	HSPF Region V	COP	
					TOTAL	SENS.			47°F OD	17°F OD			47°F OD	17°F OD
YHE24B21S	TMLV060A12MP12C	14.5	CM24ABAA1	625	23.8	16.8	15.00	12.75	24.0	15.0	8.20	6.95	3.48	2.36
YHE24B21S	TMLV060A12MP12C	14.5	CM24BBAA1	625	23.8	16.8	15.25	12.75	24.0	14.9	8.20	6.95	3.48	2.38
YHE24B21S	TMLV060A12MP12C	14.5	CM30BBAA1	625	24.0	16.5	15.75	13.00	24.0	15.0	9.25	7.90	3.78	2.66
YHE24B21S	TMLV080B12MP11C	17.5	CF/CM/CU24B	625	23.8	16.8	15.00	12.50	24.0	15.0	8.20	6.95	3.48	2.36
YHE24B21S	TMLV080B12MP11C	17.5	CF/CM/CU30B	625	24.0	16.4	15.75	13.00	24.0	15.1	9.00	7.65	3.76	2.64
YHE24B21S	TMLV080B12MP11C	17.5	CF24BBAA1	625	23.8	16.8	15.00	12.50	24.0	15.0	8.20	6.95	3.48	2.36
YHE24B21S	TMLV080B12MP11C	17.5	CF30BBAA1	625	24.0	16.4	15.75	13.00	24.0	15.1	9.00	7.65	3.76	2.64
YHE24B21S	TMLV080B12MP11C	17.5	CM24BBAA1	625	23.8	16.8	15.00	12.50	24.0	15.0	8.20	6.95	3.48	2.36
YHE24B21S	TMLV080B12MP11C	17.5	CM30BBAA1	625	24.0	16.4	15.75	13.00	24.0	15.1	9.00	7.65	3.76	2.64
YHE24B21S	TMLV080B12MP12C	17.5	CF/CM/CU24B	625	23.8	16.8	15.00	12.50	24.0	15.0	8.20	6.95	3.48	2.36
YHE24B21S	TMLV080B12MP12C	17.5	CF/CM/CU24C	675	24.0	17.5	15.25	12.75	24.0	14.9	8.50	7.20	3.56	2.40
YHE24B21S	TMLV080B12MP12C	17.5	CF/CM/CU30B	625	24.0	16.4	15.75	13.00	24.0	15.1	9.00	7.65	3.76	2.64
YHE24B21S	TMLV080B12MP12C	17.5	CF/CM/CU30C	625	24.0	16.5	15.75	13.00	24.0	15.1	9.25	7.85	3.76	2.64
YHE24B21S	TMLV080B12MP12C	17.5	CF24BBAA1	625	23.8	16.8	15.00	12.50	24.0	15.0	8.20	6.95	3.48	2.36
YHE24B21S	TMLV080B12MP12C	17.5	CF30BBAA1	625	24.0	16.4	15.75	13.00	24.0	15.1	9.00	7.65	3.76	2.64
YHE24B21S	TMLV080B12MP12C	17.5	CM24BBAA1	625	23.8	16.8	15.00	12.50	24.0	15.0	8.20	6.95	3.48	2.36
YHE24B21S	TMLV080B12MP12C	17.5	CM30BBAA1	625	24.0	16.4	15.75	13.00	24.0	15.1	9.00	7.65	3.76	2.64
YHE24B21S	TMLV080C16MP12C	21.0	CF/CM/CU24C	875	24.0	20.3	15.50	13.00	24.0	14.8	8.75	7.30	3.80	2.46
YHE24B21S	TMLV080C16MP12C	21.0	CF/CM/CU30C	875	24.0	18.7	15.75	13.00	24.0	15.0	9.50	7.90	4.08	2.74
YHE24B21S	TMLV080C16MP12C	21.0	CF/CM/CU30D	875	24.0	18.7	15.75	13.00	24.0	15.0	9.50	7.90	4.08	2.74
YHE24B21S	TMLV100C16MP12C	21.0	CF/CM/CU24C	875	24.0	20.3	15.50	13.00	24.0	14.8	8.75	7.30	3.80	2.46
YHE24B21S	TMLV100C16MP12C	21.0	CF/CM/CU30C	875	24.0	18.7	15.75	13.00	24.0	15.0	9.50	7.90	4.08	2.74
YHE24B21S	TMLV100C16MP12C	21.0	CF/CM/CU30D	875	24.0	18.7	15.75	13.00	24.0	15.0	9.50	7.90	4.08	2.74
YHE24B21S	TMLX060A12MP11	14.5	CF/CM/CU24A	625	23.8	16.8	15.00	12.75	24.0	15.0	8.20	6.95	3.48	2.36
YHE24B21S	TMLX060A12MP11	14.5	CF/CM/CU24B	650	24.0	17.3	15.25	12.75	24.0	14.9	8.50	7.25	3.52	2.40
YHE24B21S	TMLX060A12MP11	14.5	CF/CM/CU30A	625	24.0	16.4	15.75	13.00	24.0	15.1	9.00	7.65	3.74	2.64
YHE24B21S	TMLX060A12MP11	14.5	CF/CM/CU30B	650	24.0	16.7	15.75	13.00	24.0	15.1	9.25	7.85	3.80	2.66
YHE24B21S	TMLX060A12MP11	14.5	CF24ABAA1	625	23.8	16.8	15.00	12.75	24.0	15.0	8.20	6.95	3.48	2.36
YHE24B21S	TMLX060A12MP11	14.5	CF24BBAA1	650	24.0	17.3	15.25	12.75	24.0	14.9	8.50	7.25	3.52	2.40
YHE24B21S	TMLX060A12MP11	14.5	CF30ABAA1	625	24.0	16.4	15.75	13.00	24.0	15.1	9.00	7.65	3.74	2.64
YHE24B21S	TMLX060A12MP11	14.5	CF30BBAA1	650	24.0	16.7	15.75	13.00	24.0	15.1	9.25	7.85	3.80	2.66
YHE24B21S	TMLX060A12MP11	14.5	CM24ABAA1	800	24.0	17.5	15.25	12.75	23.6	15.0	8.50	-	3.70	2.44
YHE24B21S	TMLX060A12MP11	14.5	CM24BBAA1	650	24.0	17.3	15.25	12.75	24.0	14.9	8.50	7.25	3.52	2.40
YHE24B21S	TMLX060A12MP11	14.5	CM30BBAA1	650	24.0	16.7	15.75	13.00	24.0	15.1	9.25	7.85	3.80	2.66
YHE24B21S	TMLX080B12MP11	17.5	CF/CM/CU24B	675	24.0	17.7	15.50	12.75	24.0	14.9	8.50	7.15	3.58	2.40
YHE24B21S	TMLX080B12MP11	17.5	CF/CM/CU24C	675	24.0	17.6	15.50	13.00	24.0	14.9	8.50	7.20	3.58	2.40
YHE24B21S	TMLX080B12MP11	17.5	CF/CM/CU30B	675	24.0	16.9	15.75	13.00	24.0	15.0	9.25	7.85	3.84	2.68

SYSTEM CAPACITY - With High Efficiency Motor Furnaces¹

UNIT MODEL	FURNACE		COIL MODEL ²	COOLING					HEATING					
	MODEL	WIDTH		RATED CFM	NET MBH		SEER	EER	NET MBH		HSPF Region IV	HSPF Region V	COP	
					TOTAL	SENS.			47°F OD	17°F OD			47°F OD	17°F OD
YHE24B21S	TMLX080B12MP11	17.5	CF/CM/CU30C	675	24.0	16.9	15.75	13.00	24.0	15.0	9.25	7.80	3.84	2.68
YHE24B21S	TMLX080B12MP11	17.5	CF24BBAA1	675	24.0	17.7	15.50	12.75	24.0	14.9	8.50	7.15	3.58	2.40
YHE24B21S	TMLX080B12MP11	17.5	CF30BBAA1	725	24.0	17.9	16.00	13.00	23.6	15.3	8.50	-	3.88	2.64
YHE24B21S	TMLX080B12MP11	17.5	CM24BBAA1	725	23.6	16.9	15.50	12.75	23.2	14.9	8.50	-	3.62	2.46
YHE24B21S	TMLX080B12MP11	17.5	CM30BBAA1	725	24.0	17.9	16.00	13.00	23.6	15.3	8.50	-	3.88	2.64
YHE24B21S	TMLX080C16MP11	21.0	CF/CM/CU30D	800	24.0	18.8	16.00	13.00	23.8	15.3	8.50	-	4.00	2.68
YHE24B21S	TMLX080C16MP11	21.0	CF/CM24C	800	24.0	17.6	15.75	13.00	23.4	14.9	8.50	-	3.74	2.46
YHE24B21S	TMLX080C16MP11	21.0	CF/CM30C	800	24.0	18.8	16.00	13.00	23.8	15.3	8.50	-	4.00	2.68
YHE24B21S	TMLX100C16MP11	21.0	CF/CM/CU30D	800	24.0	18.8	16.00	13.00	23.8	15.3	8.50	-	4.00	2.68
YHE24B21S	TMLX100C16MP11	21.0	CF/CM24C	800	24.0	17.6	15.75	13.00	23.4	14.9	8.50	-	3.74	2.46
YHE24B21S	TMLX100C16MP11	21.0	CF/CM30C	800	24.0	18.8	16.00	13.00	23.8	15.3	8.50	-	4.00	2.68
YHE24B21S	TMLX100C20MP11	21.0	CF/CM/CU30D	800	24.0	18.4	15.25	12.50	24.0	15.7	8.50	-	3.80	2.56
YHE24B21S	TMLX100C20MP11	21.0	CF/CM30C	800	24.0	18.4	15.25	12.50	24.0	15.7	8.50	-	3.80	2.56
YHE24B21S	TMLX120C20MP11	21.0	CF/CM/CU30D	800	24.0	18.4	15.25	12.50	24.0	15.7	8.50	-	3.80	2.56
YHE24B21S	TMLX120C20MP11	21.0	CF/CM30C	800	24.0	18.4	15.25	12.50	24.0	15.7	8.50	-	3.80	2.56
YHE24B21S	TP9C060B12MP12C	17.5	CF/CM/CU24B	800	24.0	17.6	15.75	13.00	23.4	14.8	8.50	-	3.76	2.48
YHE24B21S	TP9C060B12MP12C	17.5	CF/CM/CU30B	650	24.0	16.9	15.75	13.00	23.6	15.3	8.50	-	3.70	2.56
YHE24B21S	TP9C060B12MP13C	17.5	CF/CM/CU24B	600	23.6	16.5	15.00	12.50	24.0	15.0	8.20	6.95	3.42	2.36
YHE24B21S	TP9C060B12MP13C	17.5	CF/CM/CU24C	650	24.0	17.3	15.25	12.75	24.0	14.9	8.50	7.25	3.50	2.40
YHE24B21S	TP9C060B12MP13C	17.5	CF/CM/CU30B	600	24.0	16.2	15.75	13.00	24.0	15.1	9.00	7.65	3.72	2.62
YHE24B21S	TP9C060B12MP13C	17.5	CF/CM/CU30C	650	24.0	16.7	15.75	13.00	24.0	15.1	9.25	7.85	3.80	2.64
YHE24B21S	TP9C060B12MP13C	17.5	CF24BBAA1	600	23.6	16.5	15.00	12.50	24.0	15.0	8.20	6.95	3.42	2.36
YHE24B21S	TP9C060B12MP13C	17.5	CF30BBAA1	600	24.0	16.2	15.75	13.00	24.0	15.1	9.00	7.65	3.72	2.62
YHE24B21S	TP9C060B12MP13C	17.5	CM24BBAA1	600	23.6	16.5	15.00	12.50	24.0	15.0	8.20	6.95	3.42	2.36
YHE24B21S	TP9C060B12MP13C	17.5	CM30BBAA1	600	24.0	16.2	15.75	13.00	24.0	15.1	9.00	7.65	3.72	2.62
YHE24B21S	TP9C080B12MP12C	17.5	CF/CM/CU24B	625	23.8	16.8	15.25	12.75	24.0	14.9	8.20	6.95	3.48	2.38
YHE24B21S	TP9C080B12MP12C	17.5	CF/CM/CU30B	625	24.0	16.5	15.75	13.00	24.0	15.0	9.25	7.90	3.76	2.66
YHE24B21S	TP9C080B12MP12C	17.5	CF24BBAA1	625	23.8	16.8	15.25	12.75	24.0	14.9	8.20	6.95	3.48	2.38
YHE24B21S	TP9C080B12MP12C	17.5	CF30BBAA1	625	24.0	16.5	15.75	13.00	24.0	15.0	9.25	7.90	3.76	2.66
YHE24B21S	TP9C080B12MP12C	17.5	CM24BBAA1	625	23.8	16.8	15.25	12.75	24.0	14.9	8.20	6.95	3.48	2.38
YHE24B21S	TP9C080B12MP12C	17.5	CM30BBAA1	625	24.0	16.5	15.75	13.00	24.0	15.0	9.25	7.90	3.76	2.66
YHE24B21S	TP9C080B12MP13C	17.5	CF/CM/CU24B	625	23.8	16.8	15.25	12.75	24.0	14.9	8.20	6.95	3.48	2.38
YHE24B21S	TP9C080B12MP13C	17.5	CF/CM/CU24C	675	24.0	17.7	15.50	12.75	24.0	14.9	8.50	7.20	3.58	2.40
YHE24B21S	TP9C080B12MP13C	17.5	CF/CM/CU30B	625	24.0	16.5	15.75	13.00	24.0	15.0	9.25	7.90	3.76	2.66
YHE24B21S	TP9C080B12MP13C	17.5	CF/CM/CU30C	675	24.0	16.9	15.75	13.00	24.0	15.0	9.25	7.80	3.84	2.68
YHE24B21S	TP9C080B12MP13C	17.5	CF24BBAA1	625	23.8	16.8	15.25	12.75	24.0	14.9	8.20	6.95	3.48	2.38
YHE24B21S	TP9C080B12MP13C	17.5	CF30BBAA1	625	24.0	16.5	15.75	13.00	24.0	15.0	9.25	7.90	3.76	2.66

SYSTEM CAPACITY - With High Efficiency Motor Furnaces¹

UNIT MODEL	FURNACE		COIL MODEL ²	COOLING					HEATING					
	MODEL	WIDTH		RATED CFM	NET MBH		SEER	EER	NET MBH		HSPF Region IV	HSPF Region V	COP	
					TOTAL	SENS.			47°F OD	17°F OD			47°F OD	17°F OD
YHE24B21S	TP9C080B12MP13C	17.5	CM24BBAA1	625	23.8	16.8	15.25	12.75	24.0	14.9	8.20	6.95	3.48	2.38
YHE24B21S	TP9C080B12MP13C	17.5	CM30BBAA1	625	24.0	16.5	15.75	13.00	24.0	15.0	9.25	7.90	3.76	2.66
YHE24B21S	TP9C080C16MP13C	21.0	CF/CM/CU30C	950	24.0	19.5	15.75	13.00	24.0	15.1	9.50	7.90	4.08	2.72
YHE24B21S	TP9C080C16MP13C	21.0	CF/CM/CU30D	950	24.0	19.5	15.75	13.00	24.0	15.1	9.50	7.90	4.10	2.72
YHE24B21S	TP9C100C16MP13C	21.0	CF/CM/CU24C	900	24.0	19.1	15.00	12.75	23.4	14.3	8.75	7.35	3.76	2.54
YHE24B21S	TP9C100C16MP13C	21.0	CF/CM/CU30C	900	24.0	19.0	15.75	13.00	24.0	15.0	9.50	7.90	4.10	2.74
YHE24B21S	TP9C100C16MP13C	21.0	CF/CM/CU30D	900	24.0	19.0	15.75	13.00	24.0	15.0	9.50	7.90	4.10	2.74
YHE24B21S	TPLC060A12MP12C	14.5	CF/CM/CU24A	625	23.8	16.8	15.00	12.75	24.0	15.0	8.20	6.95	3.48	2.36
YHE24B21S	TPLC060A12MP12C	14.5	CF/CM/CU24B	625	23.8	16.8	15.25	12.75	24.0	14.9	8.20	6.95	3.48	2.38
YHE24B21S	TPLC060A12MP12C	14.5	CF/CM/CU30A	625	24.0	16.5	15.75	13.00	24.0	15.1	9.25	7.85	3.76	2.64
YHE24B21S	TPLC060A12MP12C	14.5	CF/CM/CU30B	625	24.0	16.5	15.75	13.00	24.0	15.0	9.25	7.90	3.78	2.66
YHE24B21S	TPLC060A12MP12C	14.5	CF24ABAA1	625	23.8	16.8	15.00	12.75	24.0	15.0	8.20	6.95	3.48	2.36
YHE24B21S	TPLC060A12MP12C	14.5	CF24BBAA1	625	23.8	16.8	15.25	12.75	24.0	14.9	8.20	6.95	3.48	2.38
YHE24B21S	TPLC060A12MP12C	14.5	CF30ABAA1	625	24.0	16.5	15.75	13.00	24.0	15.1	9.25	7.85	3.76	2.64
YHE24B21S	TPLC060A12MP12C	14.5	CF30BBAA1	625	24.0	16.5	15.75	13.00	24.0	15.0	9.25	7.90	3.78	2.66
YHE24B21S	TPLC060A12MP12C	14.5	CM24ABAA1	625	23.8	16.8	15.00	12.75	24.0	15.0	8.20	6.95	3.48	2.36
YHE24B21S	TPLC060A12MP12C	14.5	CM24BBAA1	625	23.8	16.8	15.25	12.75	24.0	14.9	8.20	6.95	3.48	2.38
YHE24B21S	TPLC060A12MP12C	14.5	CM30BBAA1	625	24.0	16.5	15.75	13.00	24.0	15.0	9.25	7.90	3.78	2.66
YHE24B21S	TPLC060A12MP13C	14.5	CF/CM/CU24A	625	23.8	16.8	15.00	12.75	24.0	15.0	8.20	6.95	3.48	2.36
YHE24B21S	TPLC060A12MP13C	14.5	CF/CM/CU24B	625	23.8	16.8	15.25	12.75	24.0	14.9	8.20	6.95	3.48	2.38
YHE24B21S	TPLC060A12MP13C	14.5	CF/CM/CU30A	625	24.0	16.5	15.75	13.00	24.0	15.1	9.25	7.85	3.76	2.64
YHE24B21S	TPLC060A12MP13C	14.5	CF/CM/CU30B	625	24.0	16.5	15.75	13.00	24.0	15.0	9.25	7.90	3.78	2.66
YHE24B21S	TPLC060A12MP13C	14.5	CF24ABAA1	625	23.8	16.8	15.00	12.75	24.0	15.0	8.20	6.95	3.48	2.36
YHE24B21S	TPLC060A12MP13C	14.5	CF24BBAA1	625	23.8	16.8	15.25	12.75	24.0	14.9	8.20	6.95	3.48	2.38
YHE24B21S	TPLC060A12MP13C	14.5	CF30ABAA1	625	24.0	16.5	15.75	13.00	24.0	15.1	9.25	7.85	3.76	2.64
YHE24B21S	TPLC060A12MP13C	14.5	CF30BBAA1	625	24.0	16.5	15.75	13.00	24.0	15.0	9.25	7.90	3.78	2.66
YHE24B21S	TPLC060A12MP13C	14.5	CM24ABAA1	625	23.8	16.8	15.00	12.75	24.0	15.0	8.20	6.95	3.48	2.36
YHE24B21S	TPLC060A12MP13C	14.5	CM24BBAA1	625	23.8	16.8	15.25	12.75	24.0	14.9	8.20	6.95	3.48	2.38
YHE24B21S	TPLC060A12MP13C	14.5	CM30BBAA1	625	24.0	16.5	15.75	13.00	24.0	15.0	9.25	7.90	3.78	2.66
YHE24B21S	TPLC080B12MP12C	17.5	CF/CM/CU24B	625	23.8	16.8	15.00	12.50	24.0	15.0	8.20	6.95	3.48	2.36
YHE24B21S	TPLC080B12MP12C	17.5	CF/CM/CU30B	625	24.0	16.4	15.75	13.00	24.0	15.1	9.00	7.65	3.76	2.64
YHE24B21S	TPLC080B12MP12C	17.5	CF24BBAA1	625	23.8	16.8	15.00	12.50	24.0	15.0	8.20	6.95	3.48	2.36
YHE24B21S	TPLC080B12MP12C	17.5	CF30BBAA1	625	24.0	16.4	15.75	13.00	24.0	15.1	9.00	7.65	3.76	2.64
YHE24B21S	TPLC080B12MP12C	17.5	CM24BBAA1	625	23.8	16.8	15.00	12.50	24.0	15.0	8.20	6.95	3.48	2.36
YHE24B21S	TPLC080B12MP12C	17.5	CM30BBAA1	625	24.0	16.4	15.75	13.00	24.0	15.1	9.00	7.65	3.76	2.64
YHE24B21S	TPLC080B12MP13C	17.5	CF/CM/CU24B	625	23.8	16.8	15.00	12.50	24.0	15.0	8.20	6.95	3.48	2.36
YHE24B21S	TPLC080B12MP13C	17.5	CF/CM/CU24C	675	24.0	17.5	15.25	12.75	24.0	14.9	8.50	7.20	3.56	2.40

SYSTEM CAPACITY - With High Efficiency Motor Furnaces¹

UNIT MODEL	FURNACE		COIL MODEL ²	COOLING					HEATING					
	MODEL	WIDTH		RATED CFM	NET MBH		SEER	EER	NET MBH		HSPF Region IV	HSPF Region V	COP	
					TOTAL	SENS.			47°F OD	17°F OD			47°F OD	17°F OD
YHE24B21S	TPLC080B12MP13C	17.5	CF/CM/CU30B	625	24.0	16.4	15.75	13.00	24.0	15.1	9.00	7.65	3.76	2.64
YHE24B21S	TPLC080B12MP13C	17.5	CF/CM/CU30C	625	24.0	16.5	15.75	13.00	24.0	15.1	9.25	7.85	3.76	2.64
YHE24B21S	TPLC080B12MP13C	17.5	CF24BBAA1	625	23.8	16.8	15.00	12.50	24.0	15.0	8.20	6.95	3.48	2.36
YHE24B21S	TPLC080B12MP13C	17.5	CF30BBAA1	625	24.0	16.4	15.75	13.00	24.0	15.1	9.00	7.65	3.76	2.64
YHE24B21S	TPLC080B12MP13C	17.5	CM24BBAA1	625	23.8	16.8	15.00	12.50	24.0	15.0	8.20	6.95	3.48	2.36
YHE24B21S	TPLC080B12MP13C	17.5	CM30BBAA1	625	24.0	16.4	15.75	13.00	24.0	15.1	9.00	7.65	3.76	2.64
YHE24B21S	TPLC080C16MP13C	21.0	CF/CM/CU24C	875	24.0	20.3	15.50	13.00	24.0	14.8	8.75	7.30	3.80	2.46
YHE24B21S	TPLC080C16MP13C	21.0	CF/CM/CU30C	875	24.0	18.7	15.75	13.00	24.0	15.0	9.50	7.90	4.08	2.74
YHE24B21S	TPLC080C16MP13C	21.0	CF/CM/CU30D	875	24.0	18.7	15.75	13.00	24.0	15.0	9.50	7.90	4.08	2.74
YHE24B21S	TPLC100C16MP13C	21.0	CF/CM/CU24C	875	24.0	20.3	15.50	13.00	24.0	14.8	8.75	7.30	3.80	2.46
YHE24B21S	TPLC100C16MP13C	21.0	CF/CM/CU30C	875	24.0	18.7	15.75	13.00	24.0	15.0	9.50	7.90	4.08	2.74
YHE24B21S	TPLC100C16MP13C	21.0	CF/CM/CU30D	875	24.0	18.7	15.75	13.00	24.0	15.0	9.50	7.90	4.08	2.74
YHE24B21S	YP9C060B12MP12C	17.5	CF/CM/CU24B	800	24.0	17.6	15.75	13.00	23.4	14.8	8.50	-	3.76	2.48
YHE24B21S	YP9C060B12MP12C	17.5	CF/CM/CU30B	650	24.0	16.9	15.75	13.00	23.6	15.3	8.50	-	3.70	2.56
YHE24B21S	YP9C060B12MP13C	17.5	CF/CM/CU24B	600	23.6	16.5	15.00	12.50	24.0	15.0	8.20	6.95	3.42	2.36
YHE24B21S	YP9C060B12MP13C	17.5	CF/CM/CU24C	650	24.0	17.3	15.25	12.75	24.0	14.9	8.50	7.25	3.50	2.40
YHE24B21S	YP9C060B12MP13C	17.5	CF/CM/CU30B	600	24.0	16.2	15.75	13.00	24.0	15.1	9.00	7.65	3.72	2.62
YHE24B21S	YP9C060B12MP13C	17.5	CF/CM/CU30C	650	24.0	16.7	15.75	13.00	24.0	15.1	9.25	7.85	3.80	2.64
YHE24B21S	YP9C060B12MP13C	17.5	CF24BBAA1	600	23.6	16.5	15.00	12.50	24.0	15.0	8.20	6.95	3.42	2.36
YHE24B21S	YP9C060B12MP13C	17.5	CF30BBAA1	600	24.0	16.2	15.75	13.00	24.0	15.1	9.00	7.65	3.72	2.62
YHE24B21S	YP9C060B12MP13C	17.5	CM24BBAA1	600	23.6	16.5	15.00	12.50	24.0	15.0	8.20	6.95	3.42	2.36
YHE24B21S	YP9C060B12MP13C	17.5	CM30BBAA1	600	24.0	16.2	15.75	13.00	24.0	15.1	9.00	7.65	3.72	2.62
YHE24B21S	YP9C080B12MP12C	17.5	CF/CM/CU24B	625	23.8	16.8	15.25	12.75	24.0	14.9	8.20	6.95	3.48	2.38
YHE24B21S	YP9C080B12MP12C	17.5	CF/CM/CU30B	625	24.0	16.5	15.75	13.00	24.0	15.0	9.25	7.90	3.76	2.66
YHE24B21S	YP9C080B12MP12C	17.5	CF24BBAA1	625	23.8	16.8	15.25	12.75	24.0	14.9	8.20	6.95	3.48	2.38
YHE24B21S	YP9C080B12MP12C	17.5	CF30BBAA1	625	24.0	16.5	15.75	13.00	24.0	15.0	9.25	7.90	3.76	2.66
YHE24B21S	YP9C080B12MP12C	17.5	CM24BBAA1	625	23.8	16.8	15.25	12.75	24.0	14.9	8.20	6.95	3.48	2.38
YHE24B21S	YP9C080B12MP12C	17.5	CM30BBAA1	625	24.0	16.5	15.75	13.00	24.0	15.0	9.25	7.90	3.76	2.66
YHE24B21S	YP9C080B12MP13C	17.5	CF/CM/CU24B	625	23.8	16.8	15.25	12.75	24.0	14.9	8.20	6.95	3.48	2.38
YHE24B21S	YP9C080B12MP13C	17.5	CF/CM/CU24C	675	24.0	17.7	15.50	12.75	24.0	14.9	8.50	7.20	3.58	2.40
YHE24B21S	YP9C080B12MP13C	17.5	CF/CM/CU30B	625	24.0	16.5	15.75	13.00	24.0	15.0	9.25	7.90	3.76	2.66
YHE24B21S	YP9C080B12MP13C	17.5	CF/CM/CU30C	675	24.0	16.9	15.75	13.00	24.0	15.0	9.25	7.80	3.84	2.68
YHE24B21S	YP9C080B12MP13C	17.5	CF24BBAA1	625	23.8	16.8	15.25	12.75	24.0	14.9	8.20	6.95	3.48	2.38
YHE24B21S	YP9C080B12MP13C	17.5	CF30BBAA1	625	24.0	16.5	15.75	13.00	24.0	15.0	9.25	7.90	3.76	2.66
YHE24B21S	YP9C080B12MP13C	17.5	CM24BBAA1	625	23.8	16.8	15.25	12.75	24.0	14.9	8.20	6.95	3.48	2.38
YHE24B21S	YP9C080B12MP13C	17.5	CM30BBAA1	625	24.0	16.5	15.75	13.00	24.0	15.0	9.25	7.90	3.76	2.66
YHE24B21S	YP9C080C16MP13C	21.0	CF/CM/CU30C	950	24.0	19.5	15.75	13.00	24.0	15.1	9.50	7.90	4.08	2.72

SYSTEM CAPACITY - With High Efficiency Motor Furnaces¹

UNIT MODEL	FURNACE		COIL MODEL ²	COOLING					HEATING					
	MODEL	WIDTH		RATED CFM	NET MBH		SEER	EER	NET MBH		HSPF Region IV	HSPF Region V	COP	
					TOTAL	SENS.			47°F OD	17°F OD			47°F OD	17°F OD
YHE24B21S	YP9C080C16MP13C	21.0	CF/CM/CU30D	950	24.0	19.5	15.75	13.00	24.0	15.1	9.50	7.90	4.10	2.72
YHE24B21S	YP9C100C16MP13C	21.0	CF/CM/CU24C	900	24.0	19.1	15.00	12.75	23.4	14.3	8.75	7.35	3.76	2.54
YHE24B21S	YP9C100C16MP13C	21.0	CF/CM/CU30C	900	24.0	19.0	15.75	13.00	24.0	15.0	9.50	7.90	4.10	2.74
YHE24B21S	YP9C100C16MP13C	21.0	CF/CM/CU30D	900	24.0	19.0	15.75	13.00	24.0	15.0	9.50	7.90	4.10	2.74
YHE24B21S	YPLC060A12MP12C	14.5	CF/CM/CU24A	625	23.8	16.8	15.00	12.75	24.0	15.0	8.20	6.95	3.48	2.36
YHE24B21S	YPLC060A12MP12C	14.5	CF/CM/CU24B	625	23.8	16.8	15.25	12.75	24.0	14.9	8.20	6.95	3.48	2.38
YHE24B21S	YPLC060A12MP12C	14.5	CF/CM/CU30A	625	24.0	16.5	15.75	13.00	24.0	15.1	9.25	7.85	3.76	2.64
YHE24B21S	YPLC060A12MP12C	14.5	CF/CM/CU30B	625	24.0	16.5	15.75	13.00	24.0	15.0	9.25	7.90	3.78	2.66
YHE24B21S	YPLC060A12MP12C	14.5	CF24ABAA1	625	23.8	16.8	15.00	12.75	24.0	15.0	8.20	6.95	3.48	2.36
YHE24B21S	YPLC060A12MP12C	14.5	CF24BBAA1	625	23.8	16.8	15.25	12.75	24.0	14.9	8.20	6.95	3.48	2.38
YHE24B21S	YPLC060A12MP12C	14.5	CF30ABAA1	625	24.0	16.5	15.75	13.00	24.0	15.1	9.25	7.85	3.76	2.64
YHE24B21S	YPLC060A12MP12C	14.5	CF30BBAA1	625	24.0	16.5	15.75	13.00	24.0	15.0	9.25	7.90	3.78	2.66
YHE24B21S	YPLC060A12MP12C	14.5	CM24ABAA1	625	23.8	16.8	15.00	12.75	24.0	15.0	8.20	6.95	3.48	2.36
YHE24B21S	YPLC060A12MP12C	14.5	CM24BBAA1	625	23.8	16.8	15.25	12.75	24.0	14.9	8.20	6.95	3.48	2.38
YHE24B21S	YPLC060A12MP12C	14.5	CM30BBAA1	625	24.0	16.5	15.75	13.00	24.0	15.0	9.25	7.90	3.78	2.66
YHE24B21S	YPLC060A12MP13C	14.5	CF/CM/CU24A	625	23.8	16.8	15.00	12.75	24.0	15.0	8.20	6.95	3.48	2.36
YHE24B21S	YPLC060A12MP13C	14.5	CF/CM/CU24B	625	23.8	16.8	15.25	12.75	24.0	14.9	8.20	6.95	3.48	2.38
YHE24B21S	YPLC060A12MP13C	14.5	CF/CM/CU30A	625	24.0	16.5	15.75	13.00	24.0	15.1	9.25	7.85	3.76	2.64
YHE24B21S	YPLC060A12MP13C	14.5	CF/CM/CU30B	625	24.0	16.5	15.75	13.00	24.0	15.0	9.25	7.90	3.78	2.66
YHE24B21S	YPLC060A12MP13C	14.5	CF24ABAA1	625	23.8	16.8	15.00	12.75	24.0	15.0	8.20	6.95	3.48	2.36
YHE24B21S	YPLC060A12MP13C	14.5	CF24BBAA1	625	23.8	16.8	15.25	12.75	24.0	14.9	8.20	6.95	3.48	2.38
YHE24B21S	YPLC060A12MP13C	14.5	CF30ABAA1	625	24.0	16.5	15.75	13.00	24.0	15.1	9.25	7.85	3.76	2.64
YHE24B21S	YPLC060A12MP13C	14.5	CF30BBAA1	625	24.0	16.5	15.75	13.00	24.0	15.0	9.25	7.90	3.78	2.66
YHE24B21S	YPLC060A12MP13C	14.5	CM24ABAA1	625	23.8	16.8	15.00	12.75	24.0	15.0	8.20	6.95	3.48	2.36
YHE24B21S	YPLC060A12MP13C	14.5	CM24BBAA1	625	23.8	16.8	15.25	12.75	24.0	14.9	8.20	6.95	3.48	2.38
YHE24B21S	YPLC060A12MP13C	14.5	CM30BBAA1	625	24.0	16.5	15.75	13.00	24.0	15.0	9.25	7.90	3.78	2.66
YHE24B21S	YPLC080B12MP12C	17.5	CF/CM/CU24B	625	23.8	16.8	15.00	12.50	24.0	15.0	8.20	6.95	3.48	2.36
YHE24B21S	YPLC080B12MP12C	17.5	CF/CM/CU30B	625	24.0	16.4	15.75	13.00	24.0	15.1	9.00	7.65	3.76	2.64
YHE24B21S	YPLC080B12MP12C	17.5	CF24BBAA1	625	23.8	16.8	15.00	12.50	24.0	15.0	8.20	6.95	3.48	2.36
YHE24B21S	YPLC080B12MP12C	17.5	CF30BBAA1	625	24.0	16.4	15.75	13.00	24.0	15.1	9.00	7.65	3.76	2.64
YHE24B21S	YPLC080B12MP12C	17.5	CM24BBAA1	625	23.8	16.8	15.00	12.50	24.0	15.0	8.20	6.95	3.48	2.36
YHE24B21S	YPLC080B12MP12C	17.5	CM30BBAA1	625	24.0	16.4	15.75	13.00	24.0	15.1	9.00	7.65	3.76	2.64
YHE24B21S	YPLC080B12MP13C	17.5	CF/CM/CU24B	625	23.8	16.8	15.00	12.50	24.0	15.0	8.20	6.95	3.48	2.36
YHE24B21S	YPLC080B12MP13C	17.5	CF/CM/CU24C	675	24.0	17.5	15.25	12.75	24.0	14.9	8.50	7.20	3.56	2.40
YHE24B21S	YPLC080B12MP13C	17.5	CF/CM/CU30B	625	24.0	16.4	15.75	13.00	24.0	15.1	9.00	7.65	3.76	2.64
YHE24B21S	YPLC080B12MP13C	17.5	CF/CM/CU30C	625	24.0	16.5	15.75	13.00	24.0	15.1	9.25	7.85	3.76	2.64
YHE24B21S	YPLC080B12MP13C	17.5	CF24BBAA1	625	23.8	16.8	15.00	12.50	24.0	15.0	8.20	6.95	3.48	2.36

SYSTEM CAPACITY - With High Efficiency Motor Furnaces¹

UNIT MODEL	FURNACE		COIL MODEL ²	COOLING					HEATING					
	MODEL	WIDTH		RATED CFM	NET MBH		SEER	EER	NET MBH		HSPF Region IV	HSPF Region V	COP	
					TOTAL	SENS.			47°F OD	17°F OD			47°F OD	17°F OD
YHE24B21S	YPLC080B12MP13C	17.5	CF30BBAA1	625	24.0	16.4	15.75	13.00	24.0	15.1	9.00	7.65	3.76	2.64
YHE24B21S	YPLC080B12MP13C	17.5	CM24BBAA1	625	23.8	16.8	15.00	12.50	24.0	15.0	8.20	6.95	3.48	2.36
YHE24B21S	YPLC080B12MP13C	17.5	CM30BBAA1	625	24.0	16.4	15.75	13.00	24.0	15.1	9.00	7.65	3.76	2.64
YHE24B21S	YPLC080C16MP13C	21.0	CF/CM/CU24C	875	24.0	20.3	15.50	13.00	24.0	14.8	8.75	7.30	3.80	2.46
YHE24B21S	YPLC080C16MP13C	21.0	CF/CM/CU30C	875	24.0	18.7	15.75	13.00	24.0	15.0	9.50	7.90	4.08	2.74
YHE24B21S	YPLC080C16MP13C	21.0	CF/CM/CU30D	875	24.0	18.7	15.75	13.00	24.0	15.0	9.50	7.90	4.08	2.74
YHE24B21S	YPLC100C16MP13C	21.0	CF/CM/CU24C	875	24.0	20.3	15.50	13.00	24.0	14.8	8.75	7.30	3.80	2.46
YHE24B21S	YPLC100C16MP13C	21.0	CF/CM/CU30C	875	24.0	18.7	15.75	13.00	24.0	15.0	9.50	7.90	4.08	2.74
YHE24B21S	YPLC100C16MP13C	21.0	CF/CM/CU30D	875	24.0	18.7	15.75	13.00	24.0	15.0	9.50	7.90	4.08	2.74
YHE30B21S	TL8E060A12UH11	14.5	CF/CM/CU30B	850	29.4	21.0	15.75	13.00	29.6	19.2	9.00	7.55	3.78	2.70
YHE30B21S	TL8E060A12UH11	14.5	CF/CM/CU36B	850	29.4	21.0	15.75	13.00	29.6	19.2	9.00	7.55	3.78	2.68
YHE30B21S	TL8E060A12UH11	14.5	CF30BBBA1	850	29.4	21.0	15.75	13.00	29.6	19.2	9.00	7.55	3.78	2.70
YHE30B21S	TL8E060A12UH11	14.5	CF42B	850	29.4	21.0	15.50	13.00	30.0	18.8	9.00	7.30	3.90	2.66
YHE30B21S	TL8E060A12UH11	14.5	CM30BBBA1	850	29.4	21.0	15.75	13.00	29.6	19.2	9.00	7.55	3.78	2.70
YHE30B21S	TL8E080C16UH11	21.0	CF/CM/CU36C	950	29.6	22.0	15.75	13.00	29.8	19.3	9.00	7.45	3.92	2.76
YHE30B21S	TL8E080C16UH11	21.0	CF/CM/CU42C	950	29.8	22.2	15.75	13.00	30.0	18.8	9.00	7.25	4.04	2.74
YHE30B21S	TL8E080C16UH11	21.0	CF/CM30C	925	29.6	21.8	15.75	13.00	29.8	19.3	9.00	7.45	3.88	2.74
YHE30B21S	TL8E100C20UH11	21.0	CF/CM/CU36C	1050	29.8	23.0	15.75	13.00	30.0	19.4	9.00	7.40	4.04	2.82
YHE30B21S	TL8E100C20UH11	21.0	CF/CM/CU42C	1050	30.0	23.2	15.75	13.00	30.0	19.0	9.00	7.15	4.18	2.78
YHE30B21S	TL8E100C20UH11	21.0	CF/CM30C	1050	29.8	23.0	15.75	13.00	30.0	19.4	9.00	7.40	4.04	2.82
YHE30B21S	TL9E060B12UH11	17.5	CF/CM/CU30B	850	29.2	20.8	15.50	13.00	29.6	19.3	9.00	7.60	3.76	2.68
YHE30B21S	TL9E060B12UH11	17.5	CF/CM/CU36B	850	29.2	20.8	15.50	13.00	29.6	19.3	9.00	7.60	3.76	2.68
YHE30B21S	TL9E060B12UH11	17.5	CF/CM/CU36C	875	29.4	21.2	15.50	13.00	29.8	19.3	9.00	7.55	3.78	2.68
YHE30B21S	TL9E060B12UH11	17.5	CF/CM/CU42C	875	29.4	21.2	15.25	13.00	30.0	18.9	9.00	7.35	3.90	2.66
YHE30B21S	TL9E060B12UH11	17.5	CF/CM30C	850	29.2	20.8	15.50	13.00	29.6	19.3	9.00	7.60	3.76	2.68
YHE30B21S	TL9E060B12UH11	17.5	CF30BBBA1	850	29.2	20.8	15.50	13.00	29.6	19.3	9.00	7.60	3.76	2.68
YHE30B21S	TL9E060B12UH11	17.5	CF42B	850	29.4	21.0	15.25	13.00	30.0	18.8	9.00	7.40	3.86	2.64
YHE30B21S	TL9E060B12UH11	17.5	CM30BBBA1	850	29.2	20.8	15.50	13.00	29.6	19.3	9.00	7.60	3.76	2.68
YHE30B21S	TL9E080C16UH11	21.0	CF/CM/CU36C	900	29.4	21.4	15.75	13.00	29.6	19.2	9.00	7.50	3.86	2.74
YHE30B21S	TL9E080C16UH11	21.0	CF/CM/CU42C	900	29.6	21.6	15.75	13.00	30.0	18.8	9.00	7.30	3.98	2.70
YHE30B21S	TL9E080C16UH11	21.0	CF/CM30C	900	29.4	21.4	15.75	13.00	29.6	19.2	9.00	7.50	3.86	2.74
YHE30B21S	TL9E100C20UH11	21.0	CF/CM/CU36C	1125	29.8	23.6	15.50	13.00	30.0	19.7	9.00	7.35	4.10	2.84
YHE30B21S	TL9E100C20UH11	21.0	CF/CM/CU42C	1125	30.0	23.8	15.50	13.00	30.0	19.2	9.00	7.10	4.24	2.80
YHE30B21S	TL9E100C20UH11	21.0	CF/CM30C	1125	29.8	23.6	15.50	13.00	30.0	19.7	9.00	7.35	4.10	2.84
YHE30B21S	TM8E040A12MP11	14.5	CF/CM/CU30A	800	29.2	20.4	15.50	13.00	29.4	19.2	9.00	7.60	3.70	2.66
YHE30B21S	TM8E040A12MP11	14.5	CF/CM/CU30B	875	29.4	21.2	15.75	13.00	29.6	19.2	9.00	7.50	3.82	2.70
YHE30B21S	TM8E040A12MP11	14.5	CF/CM/CU36B	875	29.4	21.2	15.75	13.00	29.6	19.2	9.00	7.50	3.82	2.70

SYSTEM CAPACITY - With High Efficiency Motor Furnaces¹

UNIT MODEL	FURNACE		COIL MODEL ²	COOLING					HEATING					
	MODEL	WIDTH		RATED CFM	NET MBH		SEER	EER	NET MBH		HSPF Region IV	HSPF Region V	COP	
					TOTAL	SENS.			47°F OD	17°F OD			47°F OD	17°F OD
YHE30B21S	TM8E040A12MP11	14.5	CF/CM36A	825	29.2	20.6	15.50	13.00	29.6	19.2	9.00	7.55	3.74	2.68
YHE30B21S	TM8E040A12MP11	14.5	CF30BBBA1	875	29.4	21.2	15.75	13.00	29.6	19.2	9.00	7.50	3.82	2.70
YHE30B21S	TM8E040A12MP11	14.5	CF42B	850	29.6	21.2	15.50	13.00	30.0	18.8	9.00	7.35	3.90	2.68
YHE30B21S	TM8E040A12MP11	14.5	CM30ABBA1	800	29.2	20.4	15.50	13.00	29.4	19.2	9.00	7.60	3.70	2.66
YHE30B21S	TM8E040A12MP11	14.5	CM30BBBA1	875	29.4	21.2	15.75	13.00	29.6	19.2	9.00	7.50	3.82	2.70
YHE30B21S	TM8E060A12MP11	14.5	CF/CM/CU30A	825	29.2	20.6	15.50	13.00	29.6	19.2	9.00	7.55	3.74	2.66
YHE30B21S	TM8E060A12MP11	14.5	CF/CM/CU30B	875	29.4	21.2	15.75	13.00	29.6	19.2	9.00	7.50	3.82	2.70
YHE30B21S	TM8E060A12MP11	14.5	CF/CM/CU36B	875	29.4	21.2	15.75	13.00	29.6	19.2	9.00	7.50	3.82	2.70
YHE30B21S	TM8E060A12MP11	14.5	CF/CM36A	825	29.2	20.6	15.50	13.00	29.6	19.2	9.00	7.55	3.74	2.68
YHE30B21S	TM8E060A12MP11	14.5	CF30BBBA1	875	29.4	21.2	15.75	13.00	29.6	19.2	9.00	7.50	3.82	2.70
YHE30B21S	TM8E060A12MP11	14.5	CF42B	850	29.4	21.0	15.50	13.00	30.0	18.8	9.00	7.30	3.90	2.66
YHE30B21S	TM8E060A12MP11	14.5	CM30ABBA1	825	29.2	20.6	15.50	13.00	29.6	19.2	9.00	7.55	3.74	2.66
YHE30B21S	TM8E060A12MP11	14.5	CM30BBBA1	875	29.4	21.2	15.75	13.00	29.6	19.2	9.00	7.50	3.82	2.70
YHE30B21S	TM8E080B12MP11	17.5	CF/CM/CU30B	900	29.4	21.4	15.50	13.00	29.8	19.3	9.00	7.55	3.84	2.72
YHE30B21S	TM8E080B12MP11	17.5	CF/CM/CU36B	875	29.4	21.2	15.50	13.00	29.6	19.3	9.00	7.55	3.80	2.70
YHE30B21S	TM8E080B12MP11	17.5	CF/CM/CU36C	900	29.4	21.4	15.50	13.00	29.8	19.3	9.00	7.50	3.84	2.72
YHE30B21S	TM8E080B12MP11	17.5	CF/CM/CU42C	900	29.6	21.6	15.50	13.00	30.0	18.8	9.00	7.30	3.96	2.70
YHE30B21S	TM8E080B12MP11	17.5	CF/CM30C	900	29.4	21.4	15.50	13.00	29.8	19.3	9.00	7.50	3.84	2.72
YHE30B21S	TM8E080B12MP11	17.5	CF30BBBA1	900	29.4	21.4	15.50	13.00	29.8	19.3	9.00	7.55	3.84	2.72
YHE30B21S	TM8E080B12MP11	17.5	CF42B	875	29.6	21.4	15.25	13.00	30.0	18.8	9.00	7.35	3.92	2.68
YHE30B21S	TM8E080B12MP11	17.5	CM30BBBA1	900	29.4	21.4	15.50	13.00	29.8	19.3	9.00	7.55	3.84	2.72
YHE30B21S	TM8E080C16MP11	21.0	CF/CM/CU36C	950	29.6	22.0	15.75	13.00	29.8	19.3	9.00	7.45	3.92	2.76
YHE30B21S	TM8E080C16MP11	21.0	CF/CM/CU42C	950	29.8	22.2	15.75	13.00	30.0	18.8	9.00	7.25	4.04	2.74
YHE30B21S	TM8E080C16MP11	21.0	CF/CM30C	950	29.6	22.0	15.75	13.00	29.8	19.3	9.00	7.45	3.92	2.76
YHE30B21S	TM8E100B12MP11	17.5	CF/CM/CU30B	900	29.4	21.4	15.50	13.00	29.8	19.3	9.00	7.50	3.84	2.72
YHE30B21S	TM8E100B12MP11	17.5	CF/CM/CU36B	900	29.4	21.4	15.50	13.00	29.8	19.3	9.00	7.50	3.84	2.72
YHE30B21S	TM8E100B12MP11	17.5	CF/CM/CU36C	925	29.4	21.6	15.75	13.00	29.8	19.3	9.00	7.50	3.88	2.74
YHE30B21S	TM8E100B12MP11	17.5	CF/CM/CU42C	925	29.6	21.8	15.50	13.00	30.0	18.9	9.00	7.30	4.00	2.70
YHE30B21S	TM8E100B12MP11	17.5	CF/CM30C	925	29.4	21.6	15.75	13.00	29.8	19.3	9.00	7.50	3.88	2.74
YHE30B21S	TM8E100B12MP11	17.5	CF30BBBA1	900	29.4	21.4	15.50	13.00	29.8	19.3	9.00	7.50	3.84	2.72
YHE30B21S	TM8E100B12MP11	17.5	CF42B	875	29.6	21.4	15.50	13.00	30.0	18.8	9.00	7.35	3.92	2.68
YHE30B21S	TM8E100B12MP11	17.5	CM30BBBA1	900	29.4	21.4	15.50	13.00	29.8	19.3	9.00	7.50	3.84	2.72
YHE30B21S	TM8E100C16MP11	21.0	CF/CM/CU36C	925	29.6	21.8	15.75	13.00	29.8	19.2	9.00	7.50	3.90	2.74
YHE30B21S	TM8E100C16MP11	21.0	CF/CM/CU42C	925	29.8	22.0	15.75	13.00	30.0	18.8	9.00	7.25	4.02	2.72
YHE30B21S	TM8E100C16MP11	21.0	CF/CM30C	925	29.6	21.8	15.75	13.00	29.8	19.2	9.00	7.50	3.90	2.74
YHE30B21S	TM8E120C16MP11	21.0	CF/CM/CU36C	950	29.6	22.0	15.75	13.00	29.8	19.3	9.00	7.45	3.92	2.76
YHE30B21S	TM8E120C16MP11	21.0	CF/CM/CU42C	950	29.8	22.2	15.75	13.00	30.0	18.8	9.00	7.25	4.06	2.74

SYSTEM CAPACITY - With High Efficiency Motor Furnaces¹

UNIT MODEL	FURNACE		COIL MODEL ²	COOLING					HEATING					
	MODEL	WIDTH		RATED CFM	NET MBH		SEER	EER	NET MBH		HSPF Region IV	HSPF Region V	COP	
					TOTAL	SENS.			47°F OD	17°F OD			47°F OD	17°F OD
YHE30B21S	TM8E120C16MP11	21.0	CF/CM30C	950	29.6	22.0	15.75	13.00	29.8	19.3	9.00	7.45	3.92	2.76
YHE30B21S	TM8V060A12MP11C	14.5	CF/CM/CU30A	800	28.6	21.1	15.00	12.50	30.0	19.7	9.50	8.05	3.76	2.66
YHE30B21S	TM8V060A12MP11C	14.5	CF/CM36A	800	29.2	21.2	15.50	13.00	30.0	20.2	9.50	7.75	4.18	2.88
YHE30B21S	TM8V060A12MP11C	14.5	CM30ABBA1	800	28.6	21.1	15.00	12.50	30.0	19.7	9.50	8.05	3.76	2.66
YHE30B21S	TM8V060A12MP12C	14.5	CF/CM/CU30A	800	28.6	21.1	15.00	12.50	30.0	19.7	9.50	8.05	3.76	2.66
YHE30B21S	TM8V060A12MP12C	14.5	CF/CM36A	800	29.2	21.2	15.50	13.00	30.0	20.2	9.50	7.75	4.18	2.88
YHE30B21S	TM8V060A12MP12C	14.5	CM30ABBA1	800	28.6	21.1	15.00	12.50	30.0	19.7	9.50	8.05	3.76	2.66
YHE30B21S	TM8V080B12MP11C	17.5	CF/CM/CU30B	825	28.8	21.5	15.00	12.50	30.0	19.7	9.50	8.10	3.78	2.68
YHE30B21S	TM8V080B12MP11C	17.5	CF/CM/CU36B	825	29.4	21.6	15.50	13.00	30.0	20.2	9.50	7.70	4.20	2.86
YHE30B21S	TM8V080B12MP11C	17.5	CF30BBBA1	825	28.8	21.5	15.00	12.50	30.0	19.7	9.50	8.10	3.78	2.68
YHE30B21S	TM8V080B12MP11C	17.5	CF42B	1000	29.4	22.0	15.00	12.50	29.0	19.3	8.75	-	3.86	2.66
YHE30B21S	TM8V080B12MP11C	17.5	CM30BBBA1	825	28.8	21.5	15.00	12.50	30.0	19.7	9.50	8.10	3.78	2.68
YHE30B21S	TM8V080B12MP12C	17.5	CF/CM/CU30B	825	28.8	21.5	15.00	12.50	30.0	19.7	9.50	8.10	3.78	2.68
YHE30B21S	TM8V080B12MP12C	17.5	CF/CM/CU36B	825	29.4	21.6	15.50	13.00	30.0	20.2	9.50	7.70	4.20	2.86
YHE30B21S	TM8V080B12MP12C	17.5	CF30BBBA1	825	28.8	21.5	15.00	12.50	30.0	19.7	9.50	8.10	3.78	2.68
YHE30B21S	TM8V080B12MP12C	17.5	CM30BBBA1	825	28.8	21.5	15.00	12.50	30.0	19.7	9.50	8.10	3.78	2.68
YHE30B21S	TM8V080C16MP11C	21.0	CF/CM/CU36C	875	29.8	22.4	15.75	13.00	30.0	19.9	9.50	7.60	4.34	2.94
YHE30B21S	TM8V080C16MP11C	21.0	CF/CM/CU42C	925	29.8	21.8	15.75	13.00	28.4	19.0	9.00	-	3.92	2.72
YHE30B21S	TM8V080C16MP11C	21.0	CF/CM30C	875	29.2	22.2	15.50	13.00	30.0	19.4	9.50	8.00	3.92	2.74
YHE30B21S	TM8V080C16MP11C	21.0	CF/CM36D	875	29.8	22.4	15.75	13.00	30.0	19.9	9.50	7.60	4.34	2.94
YHE30B21S	TM8V080C16MP12C	21.0	CF/CM/CU30C	875	29.2	22.2	15.50	13.00	30.0	19.4	9.50	8.00	3.92	2.74
YHE30B21S	TM8V080C16MP12C	21.0	CF/CM/CU30D	875	29.2	22.2	15.75	13.00	30.0	19.4	9.50	7.95	3.92	2.74
YHE30B21S	TM8V080C16MP12C	21.0	CF/CM/CU36C	875	29.8	22.4	15.75	13.00	30.0	19.9	9.50	7.60	4.34	2.94
YHE30B21S	TM8V080C16MP12C	21.0	CF/CM/CU36D	875	29.8	22.4	15.75	13.00	30.0	19.9	9.50	7.60	4.34	2.94
YHE30B21S	TM8V080C16MP12C	21.0	CF/CM30C	875	29.2	22.2	15.50	13.00	30.0	19.4	9.50	8.00	3.92	2.74
YHE30B21S	TM8V080C16MP12C	21.0	CF/CM36D	875	29.8	22.4	15.75	13.00	30.0	19.9	9.50	7.60	4.34	2.94
YHE30B21S	TM8V100C16MP11C	21.0	CF/CM/CU36C	925	28.8	20.8	15.25	12.75	28.8	19.5	9.00	-	3.88	2.76
YHE30B21S	TM8V100C16MP11C	21.0	CF/CM/CU42C	925	29.8	21.8	15.75	13.00	28.4	19.0	9.00	-	3.92	2.72
YHE30B21S	TM8V100C16MP11C	21.0	CF/CM30C	875	29.2	22.2	15.50	13.00	30.0	19.4	9.50	8.00	3.92	2.74
YHE30B21S	TM8V100C16MP11C	21.0	CF/CM36D	875	29.8	22.4	15.75	13.00	30.0	19.9	9.50	7.60	4.34	2.94
YHE30B21S	TM8V100C16MP12C	21.0	CF/CM/CU30C	875	29.2	22.2	15.50	13.00	30.0	19.4	9.50	8.00	3.92	2.74
YHE30B21S	TM8V100C16MP12C	21.0	CF/CM/CU30D	875	29.2	22.2	15.75	13.00	30.0	19.4	9.50	7.95	3.92	2.74
YHE30B21S	TM8V100C16MP12C	21.0	CF/CM/CU36C	875	29.8	22.4	15.75	13.00	30.0	19.9	9.50	7.60	4.34	2.94
YHE30B21S	TM8V100C16MP12C	21.0	CF/CM/CU36D	875	29.8	22.4	15.75	13.00	30.0	19.9	9.50	7.60	4.34	2.94
YHE30B21S	TM8V100C16MP12C	21.0	CF/CM30C	875	29.2	22.2	15.50	13.00	30.0	19.4	9.50	8.00	3.92	2.74
YHE30B21S	TM8V100C16MP12C	21.0	CF/CM36D	875	29.8	22.4	15.75	13.00	30.0	19.9	9.50	7.60	4.34	2.94
YHE30B21S	TM8X060A12MP11	14.5	CF/CM/CU30A	875	28.8	21.8	14.75	12.50	30.0	19.7	9.50	8.05	3.80	2.68

SYSTEM CAPACITY - With High Efficiency Motor Furnaces¹

UNIT MODEL	FURNACE		COIL MODEL ²	COOLING					HEATING					
	MODEL	WIDTH		RATED CFM	NET MBH		SEER	EER	NET MBH		HSPF Region IV	HSPF Region V	COP	
					TOTAL	SENS.			47°F OD	17°F OD			47°F OD	17°F OD
YHE30B21S	TM8X060A12MP11	14.5	CF/CM36A	975	29.0	21.4	15.00	12.50	29.2	19.6	8.75	–	3.86	2.72
YHE30B21S	TM8X060A12MP11	14.5	CM30ABBA1	875	28.8	21.8	14.75	12.50	30.0	19.7	9.50	8.05	3.80	2.68
YHE30B21S	TM8X080B12MP11	17.5	CF/CM/CU30B	825	28.8	21.4	15.50	12.75	30.0	19.5	9.50	8.05	3.82	2.70
YHE30B21S	TM8X080B12MP11	17.5	CF/CM/CU36B	1000	29.2	22.0	15.25	12.75	29.2	19.6	9.00	–	3.92	2.74
YHE30B21S	TM8X080B12MP11	17.5	CF30BBBA1	825	28.8	21.4	15.50	12.75	30.0	19.5	9.50	8.05	3.82	2.70
YHE30B21S	TM8X080B12MP11	17.5	CF42B	1000	29.4	22.2	15.25	12.50	28.8	19.1	9.00	–	3.92	2.70
YHE30B21S	TM8X080B12MP11	17.5	CM30BBBA1	825	28.8	21.4	15.50	12.75	30.0	19.5	9.50	8.05	3.82	2.70
YHE30B21S	TM8X080C16MP11	21.0	CF/CM/CU30C	950	29.4	23.0	15.75	13.00	30.0	19.4	9.50	7.95	3.98	2.76
YHE30B21S	TM8X080C16MP11	21.0	CF/CM/CU30D	975	29.6	23.4	15.75	13.00	29.8	19.4	9.50	7.90	4.00	2.76
YHE30B21S	TM8X080C16MP11	21.0	CF/CM/CU36C	950	30.0	23.4	15.75	13.00	30.0	20.0	9.50	7.60	4.42	2.96
YHE30B21S	TM8X080C16MP11	21.0	CF/CM/CU42C	1000	29.6	22.2	15.50	13.00	28.6	19.1	9.00	–	3.96	2.72
YHE30B21S	TM8X080C16MP11	21.0	CF/CM30C	950	29.4	23.0	15.75	13.00	30.0	19.4	9.50	7.95	3.98	2.76
YHE30B21S	TM8X080C16MP11	21.0	CF/CM36D	1000	29.2	22.0	15.50	12.75	29.0	19.5	9.00	–	3.94	2.76
YHE30B21S	TM8X080C16MP11	21.0	CF/CM36D	1000	29.2	22.0	15.50	12.75	29.0	19.5	9.00	–	3.94	2.76
YHE30B21S	TM8X080C16MP11	21.0	CF/CM42D	1000	29.6	22.2	15.50	12.75	28.6	19.0	9.00	–	3.96	2.74
YHE30B21S	TM8X100C16MP11	21.0	CF/CM/CU30C	950	29.4	23.0	15.75	13.00	30.0	19.4	9.50	7.95	3.98	2.76
YHE30B21S	TM8X100C16MP11	21.0	CF/CM/CU30D	975	29.6	23.4	15.75	13.00	29.8	19.4	9.50	7.90	4.00	2.76
YHE30B21S	TM8X100C16MP11	21.0	CF/CM/CU36C	1000	29.2	22.0	15.25	12.75	29.0	19.5	9.00	–	3.94	2.76
YHE30B21S	TM8X100C16MP11	21.0	CF/CM/CU42C	1000	29.6	22.2	15.50	13.00	28.6	19.1	9.00	–	3.96	2.72
YHE30B21S	TM8X100C16MP11	21.0	CF/CM30C	950	29.4	23.0	15.75	13.00	30.0	19.4	9.50	7.95	3.98	2.76
YHE30B21S	TM8X100C16MP11	21.0	CF/CM36D	1000	29.2	22.0	15.50	12.75	29.0	19.5	9.00	–	3.94	2.76
YHE30B21S	TM8X100C16MP11	21.0	CF/CM36D	1000	29.2	22.0	15.50	12.75	29.0	19.5	9.00	–	3.94	2.76
YHE30B21S	TM8X100C16MP11	21.0	CF/CM42D	1000	29.6	22.2	15.50	12.75	28.6	19.0	9.00	–	3.96	2.74
YHE30B21S	TM8X100C20MP11	21.0	CF/CM/CU30C	1000	29.6	23.8	15.75	13.00	30.0	19.3	9.50	7.90	4.00	2.80
YHE30B21S	TM8X100C20MP11	21.0	CF/CM/CU30D	1000	29.6	23.8	15.75	13.00	30.0	19.3	9.50	7.90	4.00	2.80
YHE30B21S	TM8X100C20MP11	21.0	CF/CM/CU36C	1000	30.0	23.8	15.75	13.00	30.0	19.9	9.50	7.55	4.48	2.98
YHE30B21S	TM8X100C20MP11	21.0	CF/CM/CU42C	1000	29.6	22.2	15.50	13.00	28.6	19.1	9.00	–	3.96	2.72
YHE30B21S	TM8X100C20MP11	21.0	CF/CM30C	1000	29.6	23.8	15.75	13.00	30.0	19.3	9.50	7.90	4.00	2.80
YHE30B21S	TM8X100C20MP11	21.0	CF/CM36D	1000	29.2	22.0	15.50	12.75	29.0	19.5	9.00	–	3.94	2.76
YHE30B21S	TM8X100C20MP11	21.0	CF/CM36D	1000	29.2	22.0	15.50	12.75	29.0	19.5	9.00	–	3.94	2.76
YHE30B21S	TM8X100C20MP11	21.0	CF/CM42D	1000	29.6	22.2	15.50	12.75	28.6	19.0	9.00	–	3.96	2.74
YHE30B21S	TM8X120C20MP11	21.0	CF/CM/CU30C	1000	29.6	23.8	15.75	13.00	30.0	19.3	9.50	7.90	4.00	2.80
YHE30B21S	TM8X120C20MP11	21.0	CF/CM/CU30D	1000	29.6	23.8	15.75	13.00	30.0	19.3	9.50	7.90	4.00	2.80
YHE30B21S	TM8X120C20MP11	21.0	CF/CM/CU36C	1000	29.2	22.0	15.25	12.75	29.0	19.5	9.00	–	3.94	2.76
YHE30B21S	TM8X120C20MP11	21.0	CF/CM/CU42C	1000	29.6	22.2	15.50	13.00	28.6	19.1	9.00	–	3.96	2.72
YHE30B21S	TM8X120C20MP11	21.0	CF/CM30C	1000	29.6	23.8	15.75	13.00	30.0	19.3	9.50	7.90	4.00	2.80
YHE30B21S	TM8X120C20MP11	21.0	CF/CM36D	1000	29.2	22.0	15.50	12.75	29.0	19.5	9.00	–	3.94	2.76

SYSTEM CAPACITY - With High Efficiency Motor Furnaces¹

UNIT MODEL	FURNACE		COIL MODEL ²	COOLING					HEATING					
	MODEL	WIDTH		RATED CFM	NET MBH		SEER	EER	NET MBH		HSPF Region IV	HSPF Region V	COP	
					TOTAL	SENS.			47°F OD	17°F OD			47°F OD	17°F OD
YHE30B21S	TM8X120C20MP11	21.0	CF/CM36D	1000	29.2	22.0	15.50	12.75	29.0	19.5	9.00	-	3.94	2.76
YHE30B21S	TM8X120C20MP11	21.0	CF/CM42D	1000	29.6	22.2	15.50	12.75	28.6	19.0	9.00	-	3.96	2.74
YHE30B21S	TM8Y060A12MP11	14.5	CF/CM/CU30A	875	28.8	21.8	14.75	12.50	30.0	19.7	9.50	8.05	3.80	2.68
YHE30B21S	TM8Y060A12MP11	14.5	CF/CM36A	875	29.6	22.2	15.25	13.00	30.0	20.2	9.50	7.70	4.22	2.86
YHE30B21S	TM8Y060A12MP11	14.5	CM30ABBA1	875	28.8	21.8	14.75	12.50	30.0	19.7	9.50	8.05	3.80	2.68
YHE30B21S	TM8Y080B12MP11	17.5	CF/CM/CU30B	825	28.8	21.4	15.50	12.75	30.0	19.5	9.50	8.05	3.82	2.70
YHE30B21S	TM8Y080B12MP11	17.5	CF/CM/CU36B	825	29.6	21.8	15.75	13.00	30.0	20.0	9.50	7.65	4.26	2.90
YHE30B21S	TM8Y080B12MP11	17.5	CF30BBBA1	825	28.8	21.4	15.50	12.75	30.0	19.5	9.50	8.05	3.82	2.70
YHE30B21S	TM8Y080B12MP11	17.5	CF42B	1000	29.4	22.2	15.25	12.50	28.8	19.1	9.00	-	3.92	2.70
YHE30B21S	TM8Y080B12MP11	17.5	CM30BBBA1	825	28.8	21.4	15.50	12.75	30.0	19.5	9.50	8.05	3.82	2.70
YHE30B21S	TM8Y080C16MP11	21.0	CF/CM/CU30C	950	29.4	23.0	15.75	13.00	30.0	19.4	9.50	7.95	3.98	2.76
YHE30B21S	TM8Y080C16MP11	21.0	CF/CM/CU30D	975	29.6	23.4	15.75	13.00	29.8	19.4	9.50	7.90	4.00	2.76
YHE30B21S	TM8Y080C16MP11	21.0	CF/CM/CU36C	950	30.0	23.4	15.75	13.00	30.0	20.0	9.50	7.60	4.42	2.96
YHE30B21S	TM8Y080C16MP11	21.0	CF/CM/CU42C	1000	29.6	22.2	15.50	13.00	28.6	19.1	9.00	-	3.96	2.72
YHE30B21S	TM8Y080C16MP11	21.0	CF/CM30C	950	29.4	23.0	15.75	13.00	30.0	19.4	9.50	7.95	3.98	2.76
YHE30B21S	TM8Y080C16MP11	21.0	CF/CM36D	1000	29.2	22.0	15.50	12.75	29.0	19.5	9.00	-	3.94	2.76
YHE30B21S	TM8Y080C16MP11	21.0	CF/CM36D	1000	29.2	22.0	15.50	12.75	29.0	19.5	9.00	-	3.94	2.76
YHE30B21S	TM8Y080C16MP11	21.0	CF/CM42D	1000	29.6	22.2	15.50	12.75	28.6	19.0	9.00	-	3.96	2.74
YHE30B21S	TM8Y080C16MP11	21.0	CF/CM/CU30C	950	29.4	23.0	15.75	13.00	30.0	19.4	9.50	7.95	3.98	2.76
YHE30B21S	TM8Y080C16MP11	21.0	CF/CM/CU30D	975	29.6	23.4	15.75	13.00	29.8	19.4	9.50	7.90	4.00	2.76
YHE30B21S	TM8Y080C16MP11	21.0	CF/CM/CU36C	1000	29.2	22.0	15.25	12.75	29.0	19.5	9.00	-	3.94	2.76
YHE30B21S	TM8Y080C16MP11	21.0	CF/CM/CU42C	1000	29.6	22.2	15.50	13.00	28.6	19.1	9.00	-	3.96	2.72
YHE30B21S	TM8Y080C16MP11	21.0	CF/CM30C	950	29.4	23.0	15.75	13.00	30.0	19.4	9.50	7.95	3.98	2.76
YHE30B21S	TM8Y080C16MP11	21.0	CF/CM36D	1000	29.2	22.0	15.50	12.75	29.0	19.5	9.00	-	3.94	2.76
YHE30B21S	TM8Y080C16MP11	21.0	CF/CM36D	1000	29.2	22.0	15.50	12.75	29.0	19.5	9.00	-	3.94	2.76
YHE30B21S	TM8Y080C16MP11	21.0	CF/CM42D	1000	29.6	22.2	15.50	12.75	28.6	19.0	9.00	-	3.96	2.74
YHE30B21S	TM8Y100C16MP11	21.0	CF/CM/CU30C	950	29.4	23.0	15.75	13.00	30.0	19.4	9.50	7.95	3.98	2.76
YHE30B21S	TM8Y100C16MP11	21.0	CF/CM/CU30D	975	29.6	23.4	15.75	13.00	29.8	19.4	9.50	7.90	4.00	2.76
YHE30B21S	TM8Y100C16MP11	21.0	CF/CM/CU36C	1000	29.2	22.0	15.25	12.75	29.0	19.5	9.00	-	3.94	2.76
YHE30B21S	TM8Y100C16MP11	21.0	CF/CM/CU42C	1000	29.6	22.2	15.50	13.00	28.6	19.1	9.00	-	3.96	2.72
YHE30B21S	TM8Y100C16MP11	21.0	CF/CM30C	950	29.4	23.0	15.75	13.00	30.0	19.4	9.50	7.95	3.98	2.76
YHE30B21S	TM8Y100C16MP11	21.0	CF/CM36D	1000	29.2	22.0	15.50	12.75	29.0	19.5	9.00	-	3.94	2.76
YHE30B21S	TM8Y100C16MP11	21.0	CF/CM36D	1000	29.2	22.0	15.50	12.75	29.0	19.5	9.00	-	3.94	2.76
YHE30B21S	TM8Y100C16MP11	21.0	CF/CM42D	1000	29.6	22.2	15.50	12.75	28.6	19.0	9.00	-	3.96	2.74
YHE30B21S	TM8Y100C20MP11	21.0	CF/CM/CU30C	1000	29.6	23.8	15.75	13.00	30.0	19.3	9.50	7.90	4.00	2.80
YHE30B21S	TM8Y100C20MP11	21.0	CF/CM/CU30D	1000	29.6	23.8	15.75	13.00	30.0	19.3	9.50	7.90	4.00	2.80
YHE30B21S	TM8Y100C20MP11	21.0	CF/CM/CU36C	1000	30.0	23.8	15.75	13.00	30.0	19.9	9.50	7.55	4.48	2.98
YHE30B21S	TM8Y100C20MP11	21.0	CF/CM/CU42C	1000	29.6	22.2	15.50	13.00	28.6	19.1	9.00	-	3.96	2.72
YHE30B21S	TM8Y100C20MP11	21.0	CF/CM30C	1000	29.6	23.8	15.75	13.00	30.0	19.3	9.50	7.90	4.00	2.80
YHE30B21S	TM8Y100C20MP11	21.0	CF/CM36D	1000	29.2	22.0	15.50	12.75	29.0	19.5	9.00	-	3.94	2.76
YHE30B21S	TM8Y100C20MP11	21.0	CF/CM36D	1000	29.2	22.0	15.50	12.75	29.0	19.5	9.00	-	3.94	2.76
YHE30B21S	TM8Y100C20MP11	21.0	CF/CM42D	1000	29.6	22.2	15.50	12.75	28.6	19.0	9.00	-	3.96	2.74
YHE30B21S	TM8Y120C20MP11	21.0	CF/CM/CU30C	1000	29.6	23.8	15.75	13.00	30.0	19.3	9.50	7.90	4.00	2.80
YHE30B21S	TM8Y120C20MP11	21.0	CF/CM/CU30D	1000	29.6	23.8	15.75	13.00	30.0	19.3	9.50	7.90	4.00	2.80
YHE30B21S	TM8Y120C20MP11	21.0	CF/CM/CU36C	1000	29.2	22.0	15.25	12.75	29.0	19.5	9.00	-	3.94	2.76

SYSTEM CAPACITY - With High Efficiency Motor Furnaces¹

UNIT MODEL	FURNACE		COIL MODEL ²	COOLING					HEATING					
	MODEL	WIDTH		RATED CFM	NET MBH		SEER	EER	NET MBH		HSPF Region IV	HSPF Region V	COP	
					TOTAL	SENS.			47°F OD	17°F OD			47°F OD	17°F OD
YHE30B21S	TM8Y120C20MP11	21.0	CF/CM/CU42C	1000	29.6	22.2	15.50	13.00	28.6	19.1	9.00	–	3.96	2.72
YHE30B21S	TM8Y120C20MP11	21.0	CF/CM30C	1000	29.6	23.8	15.75	13.00	30.0	19.3	9.50	7.90	4.00	2.80
YHE30B21S	TM8Y120C20MP11	21.0	CF/CM36D	1000	29.2	22.0	15.50	12.75	29.0	19.5	9.00	–	3.94	2.76
YHE30B21S	TM8Y120C20MP11	21.0	CF/CM36D	1000	29.2	22.0	15.50	12.75	29.0	19.5	9.00	–	3.94	2.76
YHE30B21S	TM8Y120C20MP11	21.0	CF/CM42D	1000	29.6	22.2	15.50	12.75	28.6	19.0	9.00	–	3.96	2.74
YHE30B21S	TM9E040A10MP11	14.5	CF/CM36A	875	28.6	20.4	14.50	12.00	29.2	19.8	8.75	–	3.74	2.66
YHE30B21S	TM9E040A10MP12	14.5	CF/CM/CU30A	825	29.0	20.4	15.00	12.25	29.8	19.5	9.00	7.65	3.64	2.60
YHE30B21S	TM9E040A10MP12	14.5	CF/CM/CU30B	850	29.0	20.6	15.00	12.25	29.8	19.5	9.00	7.65	3.68	2.62
YHE30B21S	TM9E040A10MP12	14.5	CF/CM/CU36B	850	29.0	20.6	15.00	12.25	29.8	19.5	9.00	7.65	3.68	2.62
YHE30B21S	TM9E040A10MP12	14.5	CF/CM36A	825	29.0	20.4	15.00	12.25	29.8	19.5	9.00	7.65	3.64	2.60
YHE30B21S	TM9E040A10MP12	14.5	CF30BBBA1	850	29.0	20.6	15.00	12.25	29.8	19.5	9.00	7.65	3.68	2.62
YHE30B21S	TM9E040A10MP12	14.5	CF42B	850	29.2	20.8	15.00	12.25	30.0	19.0	9.00	7.40	3.80	2.60
YHE30B21S	TM9E040A10MP12	14.5	CM30ABBA1	825	29.0	20.4	15.00	12.25	29.8	19.5	9.00	7.65	3.64	2.60
YHE30B21S	TM9E040A10MP12	14.5	CM30BBBA1	850	29.0	20.6	15.00	12.25	29.8	19.5	9.00	7.65	3.68	2.62
YHE30B21S	TM9E060A10MP12	14.5	CF/CM/CU30A	825	29.0	20.4	15.00	12.50	29.8	19.4	9.00	7.65	3.68	2.64
YHE30B21S	TM9E060A10MP12	14.5	CF/CM/CU30B	875	29.2	21.0	15.25	13.00	29.8	19.4	9.00	7.60	3.76	2.66
YHE30B21S	TM9E060A10MP12	14.5	CF/CM/CU36B	875	29.2	21.0	15.25	13.00	29.8	19.4	9.00	7.60	3.76	2.66
YHE30B21S	TM9E060A10MP12	14.5	CF/CM36A	800	29.2	20.4	15.25	13.00	29.6	19.2	9.00	7.65	3.68	2.64
YHE30B21S	TM9E060A10MP12	14.5	CF30BBBA1	875	29.2	21.0	15.25	13.00	29.8	19.4	9.00	7.60	3.76	2.66
YHE30B21S	TM9E060A10MP12	14.5	CF42B	825	29.4	20.8	15.25	13.00	30.0	18.8	9.00	7.40	3.84	2.64
YHE30B21S	TM9E060A10MP12	14.5	CM30ABBA1	825	29.0	20.4	15.00	12.50	29.8	19.4	9.00	7.65	3.68	2.64
YHE30B21S	TM9E060A10MP12	14.5	CM30BBBA1	875	29.2	21.0	15.25	13.00	29.8	19.4	9.00	7.60	3.76	2.66
YHE30B21S	TM9E060B12MP11	17.5	CF/CM/CU36B	900	28.8	20.6	15.25	12.50	29.0	19.5	9.00	–	3.86	2.74
YHE30B21S	TM9E060B12MP11	17.5	CF42B	900	29.6	21.2	15.50	13.00	28.4	19.0	8.75	–	3.86	2.70
YHE30B21S	TM9E060B12MP12	17.5	CF/CM/CU30B	925	29.2	21.4	15.00	12.50	30.0	19.5	9.00	7.55	3.80	2.68
YHE30B21S	TM9E060B12MP12	17.5	CF/CM/CU36B	925	29.2	21.4	15.00	12.50	30.0	19.5	9.00	7.55	3.80	2.68
YHE30B21S	TM9E060B12MP12	17.5	CF/CM/CU36C	950	29.4	21.8	15.00	12.50	30.0	19.5	9.00	7.55	3.84	2.70
YHE30B21S	TM9E060B12MP12	17.5	CF/CM/CU42C	950	29.6	22.0	15.00	12.50	30.0	19.1	9.00	7.30	3.96	2.68
YHE30B21S	TM9E060B12MP12	17.5	CF/CM30C	950	29.4	21.8	15.00	12.50	30.0	19.5	9.00	7.55	3.84	2.70
YHE30B21S	TM9E060B12MP12	17.5	CF30BBBA1	925	29.2	21.4	15.00	12.50	30.0	19.5	9.00	7.55	3.80	2.68
YHE30B21S	TM9E060B12MP12	17.5	CF42B	925	29.4	21.6	15.00	12.50	30.0	19.1	9.00	7.35	3.92	2.66
YHE30B21S	TM9E060B12MP12	17.5	CM30BBBA1	925	29.2	21.4	15.00	12.50	30.0	19.5	9.00	7.55	3.80	2.68
YHE30B21S	TM9E080B12MP11	17.5	CF/CM/CU30B	875	29.0	22.0	15.25	12.75	30.0	19.6	9.50	8.00	3.86	2.70
YHE30B21S	TM9E080B12MP11	17.5	CF/CM/CU36B	875	29.8	22.4	15.50	13.00	30.0	20.0	9.50	7.65	4.28	2.90
YHE30B21S	TM9E080B12MP11	17.5	CF30BBBA1	875	29.0	22.0	15.25	12.75	30.0	19.6	9.50	8.00	3.86	2.70
YHE30B21S	TM9E080B12MP11	17.5	CF42B	900	29.6	21.2	15.50	13.00	28.4	19.0	8.75	–	3.86	2.70
YHE30B21S	TM9E080B12MP11	17.5	CM30BBBA1	875	29.0	22.0	15.25	12.75	30.0	19.6	9.50	8.00	3.86	2.70

SYSTEM CAPACITY - With High Efficiency Motor Furnaces¹

UNIT MODEL	FURNACE		COIL MODEL ²	COOLING					HEATING					
	MODEL	WIDTH		RATED CFM	NET MBH		SEER	EER	NET MBH		HSPF Region IV	HSPF Region V	COP	
					TOTAL	SENS.			47°F OD	17°F OD			47°F OD	17°F OD
YHE30B21S	TM9E080B12MP12	17.5	CF/CM/CU30B	925	29.4	21.6	15.25	13.00	29.8	19.4	9.00	7.55	3.84	2.70
YHE30B21S	TM9E080B12MP12	17.5	CF/CM/CU36B	925	29.4	21.6	15.25	13.00	29.8	19.4	9.00	7.55	3.84	2.70
YHE30B21S	TM9E080B12MP12	17.5	CF/CM/CU36C	950	29.4	21.8	15.50	13.00	30.0	19.4	9.00	7.50	3.88	2.72
YHE30B21S	TM9E080B12MP12	17.5	CF/CM/CU42C	950	29.6	22.0	15.25	13.00	30.0	19.0	9.00	7.30	4.00	2.70
YHE30B21S	TM9E080B12MP12	17.5	CF/CM30C	950	29.4	21.8	15.50	13.00	30.0	19.4	9.00	7.50	3.88	2.72
YHE30B21S	TM9E080B12MP12	17.5	CF30BBBA1	925	29.4	21.6	15.25	13.00	29.8	19.4	9.00	7.55	3.84	2.70
YHE30B21S	TM9E080B12MP12	17.5	CF42B	925	29.6	21.8	15.25	13.00	30.0	19.0	9.00	7.30	3.96	2.68
YHE30B21S	TM9E080B12MP12	17.5	CM30BBBA1	925	29.4	21.6	15.25	13.00	29.8	19.4	9.00	7.55	3.84	2.70
YHE30B21S	TM9E080C16MP11	21.0	CF/CM/CU36C	1000	29.2	21.8	15.00	12.50	29.2	19.6	8.75	-	3.90	2.72
YHE30B21S	TM9E080C16MP11	21.0	CF/CM/CU42C	1000	29.4	22.2	15.25	12.50	28.8	19.2	8.75	-	3.90	2.70
YHE30B21S	TM9E080C16MP11	21.0	CF/CM36D	1000	29.2	22.0	15.00	12.50	29.2	19.6	8.75	-	3.90	2.74
YHE30B21S	TM9E080C16MP11	21.0	CF/CM42D	1000	29.4	22.2	15.25	12.75	28.8	19.1	9.00	-	3.92	2.70
YHE30B21S	TM9E080C16MP12	21.0	CF/CM/CU36C	1075	29.6	23.0	15.25	13.00	30.0	19.7	9.00	7.40	4.00	2.78
YHE30B21S	TM9E080C16MP12	21.0	CF/CM/CU42C	875	29.6	21.4	15.50	13.00	30.0	18.8	9.00	7.35	3.94	2.70
YHE30B21S	TM9E080C16MP12	21.0	CF/CM30C	875	29.4	21.2	15.75	13.00	29.6	19.2	9.00	7.55	3.82	2.72
YHE30B21S	TM9E100C16MP11	21.0	CF/CM/CU30C	975	29.4	23.4	15.50	13.00	30.0	19.5	9.50	7.95	3.96	2.74
YHE30B21S	TM9E100C16MP11	21.0	CF/CM/CU30D	1000	29.6	23.8	15.50	13.00	30.0	19.4	9.50	7.90	3.96	2.78
YHE30B21S	TM9E100C16MP11	21.0	CF/CM/CU36C	975	30.0	23.8	15.75	13.00	30.0	20.0	9.50	7.60	4.40	2.94
YHE30B21S	TM9E100C16MP11	21.0	CF/CM/CU42C	1000	29.4	22.2	15.25	12.50	28.8	19.2	8.75	-	3.90	2.70
YHE30B21S	TM9E100C16MP11	21.0	CF/CM30C	975	29.4	23.4	15.50	13.00	30.0	19.5	9.50	7.95	3.96	2.74
YHE30B21S	TM9E100C16MP11	21.0	CF/CM36D	1000	29.2	22.0	15.00	12.50	29.2	19.6	8.75	-	3.90	2.74
YHE30B21S	TM9E100C16MP11	21.0	CF/CM36D	1000	29.2	22.0	15.00	12.50	29.2	19.6	8.75	-	3.90	2.74
YHE30B21S	TM9E100C16MP11	21.0	CF/CM42D	1000	29.4	22.2	15.25	12.75	28.8	19.1	9.00	-	3.92	2.70
YHE30B21S	TM9E100C16MP12	21.0	CF/CM/CU36C	925	29.6	21.8	15.75	13.00	29.8	19.3	9.00	7.50	3.88	2.74
YHE30B21S	TM9E100C16MP12	21.0	CF/CM/CU42C	925	29.6	21.8	15.50	13.00	30.0	18.8	9.00	7.25	4.00	2.72
YHE30B21S	TM9E100C16MP12	21.0	CF/CM30C	925	29.6	21.8	15.75	13.00	29.8	19.3	9.00	7.50	3.88	2.74
YHE30B21S	TM9E100C20MP11	21.0	CF/CM/CU36C	975	29.2	21.8	15.50	12.75	29.0	19.4	9.00	-	3.96	2.78
YHE30B21S	TM9E100C20MP11	21.0	CF/CM/CU42C	975	29.6	22.4	16.00	13.00	28.6	18.9	9.00	-	4.00	2.76
YHE30B21S	TM9E100C20MP11	21.0	CF/CM36D	975	29.2	21.8	15.75	13.00	29.0	19.4	9.00	-	3.98	2.78
YHE30B21S	TM9E100C20MP11	21.0	CF/CM42D	975	29.6	22.4	16.00	13.00	28.6	18.9	9.00	-	4.02	2.76
YHE30B21S	TM9E100C20MP12	21.0	CF/CM/CU36C	1200	29.8	24.2	15.25	13.00	30.8	19.9	9.00	7.30	4.18	2.84
YHE30B21S	TM9E100C20MP12	21.0	CF/CM30C	1200	29.8	24.2	15.25	13.00	30.8	19.9	9.00	7.30	4.16	2.84
YHE30B21S	TM9E120D20MP11	24.5	CF/CM/CU30D	950	29.6	23.2	15.75	13.00	29.8	19.4	9.50	7.90	4.00	2.76
YHE30B21S	TM9E120D20MP11	24.5	CF/CM36D	975	29.2	21.8	16.00	13.00	28.8	19.3	9.00	-	4.00	2.80
YHE30B21S	TM9E120D20MP11	24.5	CF/CM36D	975	29.2	21.8	16.00	13.00	28.8	19.3	9.00	-	4.00	2.80
YHE30B21S	TM9E120D20MP11	24.5	CF/CM42D	975	29.8	22.4	16.00	13.00	28.4	18.9	9.00	-	4.04	2.78
YHE30B21S	TM9V060B12MP11C	17.5	CF/CM/CU36B	950	29.0	21.4	15.00	12.50	29.0	19.6	9.00	-	3.88	2.72

SYSTEM CAPACITY - With High Efficiency Motor Furnaces¹

UNIT MODEL	FURNACE		COIL MODEL ²	COOLING					HEATING					
	MODEL	WIDTH		RATED CFM	NET MBH		SEER	EER	NET MBH		HSPF Region IV	HSPF Region V	COP	
					TOTAL	SENS.			47°F OD	17°F OD			47°F OD	17°F OD
YHE30B21S	TM9V060B12MP11C	17.5	CF42B	925	29.8	21.6	15.50	13.00	28.6	19.0	9.00	–	3.90	2.70
YHE30B21S	TM9V060B12MP12C	17.5	CF/CM/CU30B	875	29.0	22.0	15.00	12.50	30.0	19.6	9.50	8.05	3.84	2.70
YHE30B21S	TM9V060B12MP12C	17.5	CF/CM/CU36B	875	29.6	22.2	15.25	13.00	30.0	20.2	9.50	7.65	4.24	2.88
YHE30B21S	TM9V060B12MP12C	17.5	CF30BBBA1	875	29.0	22.0	15.00	12.50	30.0	19.6	9.50	8.05	3.84	2.70
YHE30B21S	TM9V060B12MP12C	17.5	CM30BBBA1	875	29.0	22.0	15.00	12.50	30.0	19.6	9.50	8.05	3.84	2.70
YHE30B21S	TM9V080B12MP11C	17.5	CF/CM/CU30B	800	28.6	21.0	15.25	12.75	30.0	19.6	9.50	8.05	3.80	2.68
YHE30B21S	TM9V080B12MP11C	17.5	CF/CM/CU36B	800	29.2	21.4	15.75	13.00	30.0	20.0	9.50	7.75	4.22	2.88
YHE30B21S	TM9V080B12MP11C	17.5	CF30BBBA1	800	28.6	21.0	15.25	12.75	30.0	19.6	9.50	8.05	3.80	2.68
YHE30B21S	TM9V080B12MP11C	17.5	CF42B	925	29.8	21.6	15.50	13.00	28.6	19.0	9.00	–	3.90	2.70
YHE30B21S	TM9V080B12MP11C	17.5	CM30BBBA1	800	28.6	21.0	15.25	12.75	30.0	19.6	9.50	8.05	3.80	2.68
YHE30B21S	TM9V080B12MP12C	17.5	CF/CM/CU30B	800	28.6	21.0	15.25	12.75	30.0	19.6	9.50	8.05	3.80	2.68
YHE30B21S	TM9V080B12MP12C	17.5	CF/CM/CU36B	850	29.4	22.0	15.50	13.00	30.0	20.0	9.50	7.65	4.28	2.90
YHE30B21S	TM9V080B12MP12C	17.5	CF30BBBA1	800	28.6	21.0	15.25	12.75	30.0	19.6	9.50	8.05	3.80	2.68
YHE30B21S	TM9V080B12MP12C	17.5	CM30BBBA1	800	28.6	21.0	15.25	12.75	30.0	19.6	9.50	8.05	3.80	2.68
YHE30B21S	TM9V080C16MP11C	21.0	CF/CM/CU36C	950	30.0	23.4	15.75	13.00	30.0	20.0	9.50	7.60	4.38	2.94
YHE30B21S	TM9V080C16MP11C	21.0	CF/CM/CU42C	975	29.6	22.2	15.75	13.00	28.6	19.0	9.00	–	3.98	2.74
YHE30B21S	TM9V080C16MP11C	21.0	CF/CM30C	950	29.4	23.0	15.50	12.75	30.0	19.5	9.50	7.95	3.94	2.74
YHE30B21S	TM9V080C16MP11C	21.0	CF/CM36D	950	30.0	23.4	15.75	13.00	30.0	20.0	9.50	7.55	4.40	2.94
YHE30B21S	TM9V080C16MP12C	21.0	CF/CM/CU30C	950	29.4	23.0	15.50	12.75	30.0	19.5	9.50	7.95	3.94	2.74
YHE30B21S	TM9V080C16MP12C	21.0	CF/CM/CU30D	950	29.4	23.0	15.50	13.00	30.0	19.5	9.50	7.95	3.96	2.74
YHE30B21S	TM9V080C16MP12C	21.0	CF/CM/CU36C	950	30.0	23.4	15.75	13.00	30.0	20.0	9.50	7.60	4.38	2.94
YHE30B21S	TM9V080C16MP12C	21.0	CF/CM/CU36D	950	30.0	23.4	15.75	13.00	30.0	20.0	9.50	7.55	4.40	2.94
YHE30B21S	TM9V080C16MP12C	21.0	CF/CM30C	950	29.4	23.0	15.50	12.75	30.0	19.5	9.50	7.95	3.94	2.74
YHE30B21S	TM9V080C16MP12C	21.0	CF/CM36D	950	30.0	23.4	15.75	13.00	30.0	20.0	9.50	7.55	4.40	2.94
YHE30B21S	TM9V100C16MP11C	21.0	CF/CM/CU36C	975	29.2	21.8	15.50	13.00	29.0	19.4	9.00	–	3.96	2.78
YHE30B21S	TM9V100C16MP11C	21.0	CF/CM/CU42C	975	29.6	22.2	15.75	13.00	28.6	19.0	9.00	–	3.98	2.74
YHE30B21S	TM9V100C16MP11C	21.0	CF/CM30C	900	29.2	22.4	15.75	13.00	30.0	19.5	9.50	7.95	3.92	2.74
YHE30B21S	TM9V100C16MP11C	21.0	CF/CM36D	900	30.0	22.8	15.75	13.00	30.0	19.9	9.50	7.60	4.38	2.94
YHE30B21S	TM9V100C16MP12C	21.0	CF/CM/CU30C	900	29.2	22.4	15.75	13.00	30.0	19.5	9.50	7.95	3.92	2.74
YHE30B21S	TM9V100C16MP12C	21.0	CF/CM/CU30D	900	29.4	22.6	15.75	13.00	29.8	19.4	9.50	7.95	3.94	2.74
YHE30B21S	TM9V100C16MP12C	21.0	CF/CM/CU36C	900	30.0	22.8	15.75	13.00	30.0	19.9	9.50	7.55	4.38	2.94
YHE30B21S	TM9V100C16MP12C	21.0	CF/CM/CU36D	900	30.0	22.8	15.75	13.00	30.0	19.9	9.50	7.60	4.38	2.94
YHE30B21S	TM9V100C16MP12C	21.0	CF/CM30C	900	29.2	22.4	15.75	13.00	30.0	19.5	9.50	7.95	3.92	2.74
YHE30B21S	TM9V100C16MP12C	21.0	CF/CM36D	900	30.0	22.8	15.75	13.00	30.0	19.9	9.50	7.60	4.38	2.94
YHE30B21S	TM9V100C20MP11C	21.0	CF/CM/CU36C	1100	30.0	25.0	15.50	13.00	30.0	20.0	9.50	7.55	4.44	2.94
YHE30B21S	TM9V100C20MP11C	21.0	CF/CM36D	1100	30.0	25.0	15.75	13.00	30.0	20.0	9.50	7.55	4.46	2.96
YHE30B21S	TM9V100C20MP12C	21.0	CF/CM/CU30D	1100	29.8	25.0	15.50	12.75	30.0	19.4	9.50	7.90	4.06	2.80

SYSTEM CAPACITY - With High Efficiency Motor Furnaces¹

UNIT MODEL	FURNACE		COIL MODEL ²	COOLING					HEATING					
	MODEL	WIDTH		RATED CFM	NET MBH		SEER	EER	NET MBH		HSPF Region IV	HSPF Region V	COP	
					TOTAL	SENS.			47°F OD	17°F OD			47°F OD	17°F OD
YHE30B21S	TM9V100C20MP12C	21.0	CF/CM/CU36C	1100	30.0	25.0	15.50	13.00	30.0	20.0	9.50	7.55	4.44	2.94
YHE30B21S	TM9V100C20MP12C	21.0	CF/CM/CU36D	1100	30.0	25.0	15.75	13.00	30.0	20.0	9.50	7.55	4.46	2.96
YHE30B21S	TM9V100C20MP12C	21.0	CF/CM36D	1100	30.0	25.0	15.75	13.00	30.0	20.0	9.50	7.55	4.46	2.96
YHE30B21S	TM9V120D20MP11C	24.5	CF/CM36D	1050	30.0	24.6	15.75	13.00	30.0	19.9	9.50	7.45	4.52	3.00
YHE30B21S	TM9V120D20MP12C	24.5	CF/CM/CU30D	1050	29.8	24.6	15.75	13.00	29.8	19.2	9.50	7.90	4.06	2.84
YHE30B21S	TM9V120D20MP12C	24.5	CF/CM/CU36D	1050	30.0	24.6	15.75	13.00	30.0	19.9	9.50	7.45	4.52	3.00
YHE30B21S	TM9V120D20MP12C	24.5	CF/CM36D	1050	30.0	24.6	15.75	13.00	30.0	19.9	9.50	7.45	4.52	3.00
YHE30B21S	TM9Y040A10MP11	14.5	CF/CM36A	875	28.6	20.4	14.50	12.00	29.2	19.8	8.75	-	3.74	2.66
YHE30B21S	TM9Y060B12MP11	17.5	CF/CM/CU36B	900	28.8	20.6	15.25	12.50	29.0	19.5	9.00	-	3.86	2.74
YHE30B21S	TM9Y060B12MP11	17.5	CF42B	900	29.6	21.2	15.50	13.00	28.4	19.0	8.75	-	3.86	2.70
YHE30B21S	TM9Y080B12MP11	17.5	CF/CM/CU30B	875	29.0	22.0	15.25	12.75	30.0	19.6	9.50	8.00	3.86	2.70
YHE30B21S	TM9Y080B12MP11	17.5	CF/CM/CU36B	875	29.8	22.4	15.50	13.00	30.0	20.0	9.50	7.65	4.28	2.90
YHE30B21S	TM9Y080B12MP11	17.5	CF30BBBA1	875	29.0	22.0	15.25	12.75	30.0	19.6	9.50	8.00	3.86	2.70
YHE30B21S	TM9Y080B12MP11	17.5	CF42B	900	29.6	21.2	15.50	13.00	28.4	19.0	8.75	-	3.86	2.70
YHE30B21S	TM9Y080B12MP11	17.5	CM30BBBA1	875	29.0	22.0	15.25	12.75	30.0	19.6	9.50	8.00	3.86	2.70
YHE30B21S	TM9Y080C16MP11	21.0	CF/CM/CU36C	1000	29.2	21.8	15.00	12.50	29.2	19.6	8.75	-	3.90	2.72
YHE30B21S	TM9Y080C16MP11	21.0	CF/CM/CU42C	1000	29.4	22.2	15.25	12.50	28.8	19.2	8.75	-	3.90	2.70
YHE30B21S	TM9Y080C16MP11	21.0	CF/CM36D	1000	29.2	22.0	15.00	12.50	29.2	19.6	8.75	-	3.90	2.74
YHE30B21S	TM9Y080C16MP11	21.0	CF/CM42D	1000	29.4	22.2	15.25	12.75	28.8	19.1	9.00	-	3.92	2.70
YHE30B21S	TM9Y100C16MP11	21.0	CF/CM/CU30C	975	29.4	23.4	15.50	13.00	30.0	19.5	9.50	7.95	3.96	2.74
YHE30B21S	TM9Y100C16MP11	21.0	CF/CM/CU30D	1000	29.6	23.8	15.50	13.00	30.0	19.4	9.50	7.90	3.96	2.78
YHE30B21S	TM9Y100C16MP11	21.0	CF/CM/CU36C	975	30.0	23.8	15.75	13.00	30.0	20.0	9.50	7.60	4.40	2.94
YHE30B21S	TM9Y100C16MP11	21.0	CF/CM/CU42C	1000	29.4	22.2	15.25	12.50	28.8	19.2	8.75	-	3.90	2.70
YHE30B21S	TM9Y100C16MP11	21.0	CF/CM30C	975	29.4	23.4	15.50	13.00	30.0	19.5	9.50	7.95	3.96	2.74
YHE30B21S	TM9Y100C16MP11	21.0	CF/CM36D	1000	29.2	22.0	15.00	12.50	29.2	19.6	8.75	-	3.90	2.74
YHE30B21S	TM9Y100C16MP11	21.0	CF/CM36D	1000	29.2	22.0	15.00	12.50	29.2	19.6	8.75	-	3.90	2.74
YHE30B21S	TM9Y100C16MP11	21.0	CF/CM42D	1000	29.4	22.2	15.25	12.75	28.8	19.1	9.00	-	3.92	2.70
YHE30B21S	TM9Y100C20MP11	21.0	CF/CM/CU36C	975	29.2	21.8	15.50	12.75	29.0	19.4	9.00	-	3.96	2.78
YHE30B21S	TM9Y100C20MP11	21.0	CF/CM/CU42C	975	29.6	22.4	16.00	13.00	28.6	18.9	9.00	-	4.00	2.76
YHE30B21S	TM9Y100C20MP11	21.0	CF/CM36D	975	29.2	21.8	15.75	13.00	29.0	19.4	9.00	-	3.98	2.78
YHE30B21S	TM9Y100C20MP11	21.0	CF/CM42D	975	29.6	22.4	16.00	13.00	28.6	18.9	9.00	-	4.02	2.76
YHE30B21S	TM9Y120D20MP11	24.5	CF/CM/CU30D	950	29.6	23.2	15.75	13.00	29.8	19.4	9.50	7.90	4.00	2.76
YHE30B21S	TM9Y120D20MP11	24.5	CF/CM36D	975	29.2	21.8	16.00	13.00	28.8	19.3	9.00	-	4.00	2.80
YHE30B21S	TM9Y120D20MP11	24.5	CF/CM36D	975	29.2	21.8	16.00	13.00	28.8	19.3	9.00	-	4.00	2.80
YHE30B21S	TM9Y120D20MP11	24.5	CF/CM42D	975	29.8	22.4	16.00	13.00	28.4	18.9	9.00	-	4.04	2.78
YHE30B21S	TMLE040A12MP11	14.5	CF/CM/CU30A	800	29.2	20.4	15.50	13.00	29.4	19.2	9.00	7.60	3.70	2.66
YHE30B21S	TMLE040A12MP11	14.5	CF/CM/CU30B	875	29.4	21.2	15.75	13.00	29.6	19.2	9.00	7.50	3.82	2.70

SYSTEM CAPACITY - With High Efficiency Motor Furnaces¹

UNIT MODEL	FURNACE		COIL MODEL ²	COOLING					HEATING					
	MODEL	WIDTH		RATED CFM	NET MBH		SEER	EER	NET MBH		HSPF Region IV	HSPF Region V	COP	
					TOTAL	SENS.			47°F OD	17°F OD			47°F OD	17°F OD
YHE30B21S	TMLE040A12MP11	14.5	CF/CM/CU36B	875	29.4	21.2	15.75	13.00	29.6	19.2	9.00	7.50	3.82	2.70
YHE30B21S	TMLE040A12MP11	14.5	CF/CM36A	825	29.2	20.6	15.50	13.00	29.6	19.2	9.00	7.55	3.74	2.68
YHE30B21S	TMLE040A12MP11	14.5	CF30BBBA1	875	29.4	21.2	15.75	13.00	29.6	19.2	9.00	7.50	3.82	2.70
YHE30B21S	TMLE040A12MP11	14.5	CF42B	850	29.6	21.2	15.50	13.00	30.0	18.8	9.00	7.35	3.90	2.68
YHE30B21S	TMLE040A12MP11	14.5	CM30ABBA1	800	29.2	20.4	15.50	13.00	29.4	19.2	9.00	7.60	3.70	2.66
YHE30B21S	TMLE040A12MP11	14.5	CM30BBBA1	875	29.4	21.2	15.75	13.00	29.6	19.2	9.00	7.50	3.82	2.70
YHE30B21S	TMLE060A12MP11	14.5	CF/CM/CU30A	825	29.2	20.6	15.50	13.00	29.6	19.2	9.00	7.55	3.74	2.66
YHE30B21S	TMLE060A12MP11	14.5	CF/CM/CU30B	875	29.4	21.2	15.75	13.00	29.6	19.2	9.00	7.50	3.82	2.70
YHE30B21S	TMLE060A12MP11	14.5	CF/CM/CU36B	875	29.4	21.2	15.75	13.00	29.6	19.2	9.00	7.50	3.82	2.70
YHE30B21S	TMLE060A12MP11	14.5	CF/CM36A	825	29.2	20.6	15.50	13.00	29.6	19.2	9.00	7.55	3.74	2.68
YHE30B21S	TMLE060A12MP11	14.5	CF30BBBA1	875	29.4	21.2	15.75	13.00	29.6	19.2	9.00	7.50	3.82	2.70
YHE30B21S	TMLE060A12MP11	14.5	CF42B	850	29.4	21.0	15.50	13.00	30.0	18.8	9.00	7.30	3.90	2.66
YHE30B21S	TMLE060A12MP11	14.5	CM30ABBA1	825	29.2	20.6	15.50	13.00	29.6	19.2	9.00	7.55	3.74	2.66
YHE30B21S	TMLE060A12MP11	14.5	CM30BBBA1	875	29.4	21.2	15.75	13.00	29.6	19.2	9.00	7.50	3.82	2.70
YHE30B21S	TMLE080B12MP11	17.5	CF/CM/CU30B	900	29.4	21.4	15.50	13.00	29.8	19.3	9.00	7.55	3.84	2.72
YHE30B21S	TMLE080B12MP11	17.5	CF/CM/CU36B	875	29.4	21.2	15.50	13.00	29.6	19.3	9.00	7.55	3.80	2.70
YHE30B21S	TMLE080B12MP11	17.5	CF/CM/CU36C	900	29.4	21.4	15.50	13.00	29.8	19.3	9.00	7.50	3.84	2.72
YHE30B21S	TMLE080B12MP11	17.5	CF/CM/CU42C	900	29.6	21.6	15.50	13.00	30.0	18.8	9.00	7.30	3.96	2.70
YHE30B21S	TMLE080B12MP11	17.5	CF/CM30C	900	29.4	21.4	15.50	13.00	29.8	19.3	9.00	7.50	3.84	2.72
YHE30B21S	TMLE080B12MP11	17.5	CF30BBBA1	900	29.4	21.4	15.50	13.00	29.8	19.3	9.00	7.55	3.84	2.72
YHE30B21S	TMLE080B12MP11	17.5	CF42B	875	29.6	21.4	15.25	13.00	30.0	18.8	9.00	7.35	3.92	2.68
YHE30B21S	TMLE080B12MP11	17.5	CM30BBBA1	900	29.4	21.4	15.50	13.00	29.8	19.3	9.00	7.55	3.84	2.72
YHE30B21S	TMLE080C16MP11	21.0	CF/CM/CU36C	950	29.6	22.0	15.75	13.00	29.8	19.3	9.00	7.45	3.92	2.76
YHE30B21S	TMLE080C16MP11	21.0	CF/CM/CU42C	950	29.8	22.2	15.75	13.00	30.0	18.8	9.00	7.25	4.04	2.74
YHE30B21S	TMLE080C16MP11	21.0	CF/CM30C	950	29.6	22.0	15.75	13.00	29.8	19.3	9.00	7.45	3.92	2.76
YHE30B21S	TMLE100B12MP11	17.5	CF/CM/CU30B	900	29.4	21.4	15.50	13.00	29.8	19.3	9.00	7.50	3.84	2.72
YHE30B21S	TMLE100B12MP11	17.5	CF/CM/CU36B	900	29.4	21.4	15.50	13.00	29.8	19.3	9.00	7.50	3.84	2.72
YHE30B21S	TMLE100B12MP11	17.5	CF/CM/CU36C	925	29.4	21.6	15.75	13.00	29.8	19.3	9.00	7.50	3.88	2.74
YHE30B21S	TMLE100B12MP11	17.5	CF/CM/CU42C	925	29.6	21.8	15.50	13.00	30.0	18.9	9.00	7.30	4.00	2.70
YHE30B21S	TMLE100B12MP11	17.5	CF/CM30C	925	29.4	21.6	15.75	13.00	29.8	19.3	9.00	7.50	3.88	2.74
YHE30B21S	TMLE100B12MP11	17.5	CF30BBBA1	900	29.4	21.4	15.50	13.00	29.8	19.3	9.00	7.50	3.84	2.72
YHE30B21S	TMLE100B12MP11	17.5	CF42B	875	29.6	21.4	15.50	13.00	30.0	18.8	9.00	7.35	3.92	2.68
YHE30B21S	TMLE100B12MP11	17.5	CM30BBBA1	900	29.4	21.4	15.50	13.00	29.8	19.3	9.00	7.50	3.84	2.72
YHE30B21S	TMLE100C16MP11	21.0	CF/CM/CU36C	925	29.6	21.8	15.75	13.00	29.8	19.2	9.00	7.50	3.90	2.74
YHE30B21S	TMLE100C16MP11	21.0	CF/CM/CU42C	925	29.8	22.0	15.75	13.00	30.0	18.8	9.00	7.25	4.02	2.72
YHE30B21S	TMLE100C16MP11	21.0	CF/CM30C	925	29.6	21.8	15.75	13.00	29.8	19.2	9.00	7.50	3.90	2.74
YHE30B21S	TMLE120C16MP11	21.0	CF/CM/CU36C	950	29.6	22.0	15.75	13.00	29.8	19.3	9.00	7.45	3.92	2.76

SYSTEM CAPACITY - With High Efficiency Motor Furnaces¹

UNIT MODEL	FURNACE		COIL MODEL ²	COOLING					HEATING					
	MODEL	WIDTH		RATED CFM	NET MBH		SEER	EER	NET MBH		HSPF Region IV	HSPF Region V	COP	
					TOTAL	SENS.			47°F OD	17°F OD			47°F OD	17°F OD
YHE30B21S	TMLE120C16MP11	21.0	CF/CM/CU42C	950	29.8	22.2	15.75	13.00	30.0	18.8	9.00	7.25	4.06	2.74
YHE30B21S	TMLE120C16MP11	21.0	CF/CM30C	950	29.6	22.0	15.75	13.00	29.8	19.3	9.00	7.45	3.92	2.76
YHE30B21S	TMLV060A12MP11C	14.5	CF/CM/CU30A	800	28.6	21.1	15.00	12.50	30.0	19.7	9.50	8.05	3.76	2.66
YHE30B21S	TMLV060A12MP11C	14.5	CF/CM36A	800	29.2	21.2	15.50	13.00	30.0	20.2	9.50	7.75	4.18	2.88
YHE30B21S	TMLV060A12MP11C	14.5	CM30ABBA1	800	28.6	21.1	15.00	12.50	30.0	19.7	9.50	8.05	3.76	2.66
YHE30B21S	TMLV060A12MP12C	14.5	CF/CM/CU30A	800	28.6	21.1	15.00	12.50	30.0	19.7	9.50	8.05	3.76	2.66
YHE30B21S	TMLV060A12MP12C	14.5	CF/CM36A	800	29.2	21.2	15.50	13.00	30.0	20.2	9.50	7.75	4.18	2.88
YHE30B21S	TMLV060A12MP12C	14.5	CM30ABBA1	800	28.6	21.1	15.00	12.50	30.0	19.7	9.50	8.05	3.76	2.66
YHE30B21S	TMLV080B12MP11C	17.5	CF/CM/CU30B	825	28.8	21.5	15.00	12.50	30.0	19.7	9.50	8.10	3.78	2.68
YHE30B21S	TMLV080B12MP11C	17.5	CF/CM/CU36B	825	29.4	21.6	15.50	13.00	30.0	20.2	9.50	7.70	4.20	2.86
YHE30B21S	TMLV080B12MP11C	17.5	CF30BBBA1	825	28.8	21.5	15.00	12.50	30.0	19.7	9.50	8.10	3.78	2.68
YHE30B21S	TMLV080B12MP11C	17.5	CF42B	1000	29.4	22.0	15.00	12.50	29.0	19.3	8.75	-	3.86	2.66
YHE30B21S	TMLV080B12MP11C	17.5	CM30BBBA1	825	28.8	21.5	15.00	12.50	30.0	19.7	9.50	8.10	3.78	2.68
YHE30B21S	TMLV080B12MP12C	17.5	CF/CM/CU30B	825	28.8	21.5	15.00	12.50	30.0	19.7	9.50	8.10	3.78	2.68
YHE30B21S	TMLV080B12MP12C	17.5	CF/CM/CU36B	825	29.4	21.6	15.50	13.00	30.0	20.2	9.50	7.70	4.20	2.86
YHE30B21S	TMLV080B12MP12C	17.5	CF30BBBA1	825	28.8	21.5	15.00	12.50	30.0	19.7	9.50	8.10	3.78	2.68
YHE30B21S	TMLV080B12MP12C	17.5	CM30BBBA1	825	28.8	21.5	15.00	12.50	30.0	19.7	9.50	8.10	3.78	2.68
YHE30B21S	TMLV080C16MP11C	21.0	CF/CM/CU36C	875	29.8	22.4	15.75	13.00	30.0	19.9	9.50	7.60	4.34	2.94
YHE30B21S	TMLV080C16MP11C	21.0	CF/CM/CU42C	925	29.8	21.8	15.75	13.00	28.4	19.0	9.00	-	3.92	2.72
YHE30B21S	TMLV080C16MP11C	21.0	CF/CM30C	875	29.2	22.2	15.50	13.00	30.0	19.4	9.50	8.00	3.92	2.74
YHE30B21S	TMLV080C16MP11C	21.0	CF/CM36D	875	29.8	22.4	15.75	13.00	30.0	19.9	9.50	7.60	4.34	2.94
YHE30B21S	TMLV080C16MP12C	21.0	CF/CM/CU30C	875	29.2	22.2	15.50	13.00	30.0	19.4	9.50	8.00	3.92	2.74
YHE30B21S	TMLV080C16MP12C	21.0	CF/CM/CU30D	875	29.2	22.2	15.75	13.00	30.0	19.4	9.50	7.95	3.92	2.74
YHE30B21S	TMLV080C16MP12C	21.0	CF/CM/CU36C	875	29.8	22.4	15.75	13.00	30.0	19.9	9.50	7.60	4.34	2.94
YHE30B21S	TMLV080C16MP12C	21.0	CF/CM/CU36D	875	29.8	22.4	15.75	13.00	30.0	19.9	9.50	7.60	4.34	2.94
YHE30B21S	TMLV080C16MP12C	21.0	CF/CM30C	875	29.2	22.2	15.50	13.00	30.0	19.4	9.50	8.00	3.92	2.74
YHE30B21S	TMLV080C16MP12C	21.0	CF/CM36D	875	29.8	22.4	15.75	13.00	30.0	19.9	9.50	7.60	4.34	2.94
YHE30B21S	TMLV100C16MP11C	21.0	CF/CM/CU36C	925	28.8	20.8	15.25	12.75	28.8	19.5	9.00	-	3.88	2.76
YHE30B21S	TMLV100C16MP11C	21.0	CF/CM/CU42C	925	29.8	21.8	15.75	13.00	28.4	19.0	9.00	-	3.92	2.72
YHE30B21S	TMLV100C16MP11C	21.0	CF/CM30C	875	29.2	22.2	15.50	13.00	30.0	19.4	9.50	8.00	3.92	2.74
YHE30B21S	TMLV100C16MP11C	21.0	CF/CM36D	875	29.8	22.4	15.75	13.00	30.0	19.9	9.50	7.60	4.34	2.94
YHE30B21S	TMLV100C16MP12C	21.0	CF/CM/CU30C	875	29.2	22.2	15.50	13.00	30.0	19.4	9.50	8.00	3.92	2.74
YHE30B21S	TMLV100C16MP12C	21.0	CF/CM/CU30D	875	29.2	22.2	15.75	13.00	30.0	19.4	9.50	7.95	3.92	2.74
YHE30B21S	TMLV100C16MP12C	21.0	CF/CM/CU36C	875	29.8	22.4	15.75	13.00	30.0	19.9	9.50	7.60	4.34	2.94
YHE30B21S	TMLV100C16MP12C	21.0	CF/CM/CU36D	875	29.8	22.4	15.75	13.00	30.0	19.9	9.50	7.60	4.34	2.94
YHE30B21S	TMLV100C16MP12C	21.0	CF/CM30C	875	29.2	22.2	15.50	13.00	30.0	19.4	9.50	8.00	3.92	2.74
YHE30B21S	TMLV100C16MP12C	21.0	CF/CM36D	875	29.8	22.4	15.75	13.00	30.0	19.9	9.50	7.60	4.34	2.94

SYSTEM CAPACITY - With High Efficiency Motor Furnaces¹

UNIT MODEL	FURNACE		COIL MODEL ²	COOLING					HEATING					
	MODEL	WIDTH		RATED CFM	NET MBH		SEER	EER	NET MBH		HSPF Region IV	HSPF Region V	COP	
					TOTAL	SENS.			47°F OD	17°F OD			47°F OD	17°F OD
YHE30B21S	TMLX060A12MP11	14.5	CF/CM/CU30A	875	28.8	21.8	14.75	12.50	30.0	19.7	9.50	8.05	3.80	2.68
YHE30B21S	TMLX060A12MP11	14.5	CF/CM36A	975	29.0	21.4	15.00	12.50	29.2	19.6	8.75	-	3.86	2.72
YHE30B21S	TMLX060A12MP11	14.5	CM30ABBA1	875	28.8	21.8	14.75	12.50	30.0	19.7	9.50	8.05	3.80	2.68
YHE30B21S	TMLX080B12MP11	17.5	CF/CM/CU30B	825	28.8	21.4	15.50	12.75	30.0	19.5	9.50	8.05	3.82	2.70
YHE30B21S	TMLX080B12MP11	17.5	CF/CM/CU36B	825	29.6	21.8	15.75	13.00	30.0	20.0	9.50	7.65	4.26	2.90
YHE30B21S	TMLX080B12MP11	17.5	CF30BBBA1	825	28.8	21.4	15.50	12.75	30.0	19.5	9.50	8.05	3.82	2.70
YHE30B21S	TMLX080B12MP11	17.5	CF42B	1000	29.4	22.2	15.25	12.50	28.8	19.1	9.00	-	3.92	2.70
YHE30B21S	TMLX080B12MP11	17.5	CM30BBBA1	825	28.8	21.4	15.50	12.75	30.0	19.5	9.50	8.05	3.82	2.70
YHE30B21S	TMLX080C16MP11	21.0	CF/CM/CU30C	950	29.4	23.0	15.75	13.00	30.0	19.4	9.50	7.95	3.98	2.76
YHE30B21S	TMLX080C16MP11	21.0	CF/CM/CU30D	975	29.6	23.4	15.75	13.00	29.8	19.4	9.50	7.90	4.00	2.76
YHE30B21S	TMLX080C16MP11	21.0	CF/CM/CU36C	950	30.0	23.4	15.75	13.00	30.0	20.0	9.50	7.60	4.42	2.96
YHE30B21S	TMLX080C16MP11	21.0	CF/CM/CU42C	1000	29.6	22.2	15.50	13.00	28.6	19.1	9.00	-	3.96	2.72
YHE30B21S	TMLX080C16MP11	21.0	CF/CM30C	950	29.4	23.0	15.75	13.00	30.0	19.4	9.50	7.95	3.98	2.76
YHE30B21S	TMLX080C16MP11	21.0	CF/CM36D	1000	29.2	22.0	15.50	12.75	29.0	19.5	9.00	-	3.94	2.76
YHE30B21S	TMLX080C16MP11	21.0	CF/CM36D	1000	29.2	22.0	15.50	12.75	29.0	19.5	9.00	-	3.94	2.76
YHE30B21S	TMLX080C16MP11	21.0	CF/CM42D	1000	29.6	22.2	15.50	12.75	28.6	19.0	9.00	-	3.96	2.74
YHE30B21S	TMLX100C16MP11	21.0	CF/CM/CU30C	950	29.4	23.0	15.75	13.00	30.0	19.4	9.50	7.95	3.98	2.76
YHE30B21S	TMLX100C16MP11	21.0	CF/CM/CU30D	975	29.6	23.4	15.75	13.00	29.8	19.4	9.50	7.90	4.00	2.76
YHE30B21S	TMLX100C16MP11	21.0	CF/CM/CU36C	1000	29.2	22.0	15.25	12.75	29.0	19.5	9.00	-	3.94	2.76
YHE30B21S	TMLX100C16MP11	21.0	CF/CM/CU42C	1000	29.6	22.2	15.50	13.00	28.6	19.1	9.00	-	3.96	2.72
YHE30B21S	TMLX100C16MP11	21.0	CF/CM30C	950	29.4	23.0	15.75	13.00	30.0	19.4	9.50	7.95	3.98	2.76
YHE30B21S	TMLX100C16MP11	21.0	CF/CM36D	1000	29.2	22.0	15.50	12.75	29.0	19.5	9.00	-	3.94	2.76
YHE30B21S	TMLX100C16MP11	21.0	CF/CM36D	1000	29.2	22.0	15.50	12.75	29.0	19.5	9.00	-	3.94	2.76
YHE30B21S	TMLX100C16MP11	21.0	CF/CM42D	1000	29.6	22.2	15.50	12.75	28.6	19.0	9.00	-	3.96	2.74
YHE30B21S	TMLX100C20MP11	21.0	CF/CM/CU30C	1000	29.6	23.8	15.75	13.00	30.0	19.3	9.50	7.90	4.00	2.80
YHE30B21S	TMLX100C20MP11	21.0	CF/CM/CU30D	1000	29.6	23.8	15.75	13.00	30.0	19.3	9.50	7.90	4.00	2.80
YHE30B21S	TMLX100C20MP11	21.0	CF/CM/CU36C	1000	30.0	23.8	15.75	13.00	30.0	19.9	9.50	7.55	4.48	2.98
YHE30B21S	TMLX100C20MP11	21.0	CF/CM/CU42C	1000	29.6	22.2	15.50	13.00	28.6	19.1	9.00	-	3.96	2.72
YHE30B21S	TMLX100C20MP11	21.0	CF/CM30C	1000	29.6	23.8	15.75	13.00	30.0	19.3	9.50	7.90	4.00	2.80
YHE30B21S	TMLX100C20MP11	21.0	CF/CM36D	1000	29.2	22.0	15.50	12.75	29.0	19.5	9.00	-	3.94	2.76
YHE30B21S	TMLX100C20MP11	21.0	CF/CM36D	1000	29.2	22.0	15.50	12.75	29.0	19.5	9.00	-	3.94	2.76
YHE30B21S	TMLX100C20MP11	21.0	CF/CM42D	1000	29.6	22.2	15.50	12.75	28.6	19.0	9.00	-	3.96	2.74
YHE30B21S	TMLX120C20MP11	21.0	CF/CM/CU30C	1000	29.6	23.8	15.75	13.00	30.0	19.3	9.50	7.90	4.00	2.80
YHE30B21S	TMLX120C20MP11	21.0	CF/CM/CU30D	1000	29.6	23.8	15.75	13.00	30.0	19.3	9.50	7.90	4.00	2.80
YHE30B21S	TMLX120C20MP11	21.0	CF/CM/CU36C	1000	29.2	22.0	15.25	12.75	29.0	19.5	9.00	-	3.94	2.76
YHE30B21S	TMLX120C20MP11	21.0	CF/CM/CU42C	1000	29.6	22.2	15.50	13.00	28.6	19.1	9.00	-	3.96	2.72
YHE30B21S	TMLX120C20MP11	21.0	CF/CM30C	1000	29.6	23.8	15.75	13.00	30.0	19.3	9.50	7.90	4.00	2.80

SYSTEM CAPACITY - With High Efficiency Motor Furnaces¹

UNIT MODEL	FURNACE		COIL MODEL ²	COOLING					HEATING					
	MODEL	WIDTH		RATED CFM	NET MBH		SEER	EER	NET MBH		HSPF Region IV	HSPF Region V	COP	
					TOTAL	SENS.			47°F OD	17°F OD			47°F OD	17°F OD
YHE30B21S	TMLX120C20MP11	21.0	CF/CM36D	1000	29.2	22.0	15.50	12.75	29.0	19.5	9.00	-	3.94	2.76
YHE30B21S	TMLX120C20MP11	21.0	CF/CM36D	1000	29.2	22.0	15.50	12.75	29.0	19.5	9.00	-	3.94	2.76
YHE30B21S	TMLX120C20MP11	21.0	CF/CM42D	1000	29.6	22.2	15.50	12.75	28.6	19.0	9.00	-	3.96	2.74
YHE30B21S	TP9C060B12MP12C	17.5	CF/CM/CU36B	950	29.0	21.4	15.00	12.50	29.0	19.6	9.00	-	3.88	2.72
YHE30B21S	TP9C060B12MP12C	17.5	CF42B	925	29.8	21.6	15.50	13.00	28.6	19.0	9.00	-	3.90	2.70
YHE30B21S	TP9C060B12MP13C	17.5	CF/CM/CU30B	875	29.0	22.0	15.00	12.50	30.0	19.6	9.50	8.05	3.84	2.70
YHE30B21S	TP9C060B12MP13C	17.5	CF/CM/CU36B	875	29.6	22.2	15.25	13.00	30.0	20.2	9.50	7.65	4.24	2.88
YHE30B21S	TP9C060B12MP13C	17.5	CF30BBBA1	875	29.0	22.0	15.00	12.50	30.0	19.6	9.50	8.05	3.84	2.70
YHE30B21S	TP9C060B12MP13C	17.5	CM30BBBA1	875	29.0	22.0	15.00	12.50	30.0	19.6	9.50	8.05	3.84	2.70
YHE30B21S	TP9C080B12MP12C	17.5	CF/CM/CU30B	800	28.6	21.0	15.25	12.75	30.0	19.6	9.50	8.05	3.80	2.68
YHE30B21S	TP9C080B12MP12C	17.5	CF/CM/CU36B	800	29.2	21.4	15.75	13.00	30.0	20.0	9.50	7.75	4.22	2.88
YHE30B21S	TP9C080B12MP12C	17.5	CF30BBBA1	800	28.6	21.0	15.25	12.75	30.0	19.6	9.50	8.05	3.80	2.68
YHE30B21S	TP9C080B12MP12C	17.5	CF42B	925	29.8	21.6	15.50	13.00	28.6	19.0	9.00	-	3.90	2.70
YHE30B21S	TP9C080B12MP12C	17.5	CM30BBBA1	800	28.6	21.0	15.25	12.75	30.0	19.6	9.50	8.05	3.80	2.68
YHE30B21S	TP9C080B12MP13C	17.5	CF/CM/CU30B	800	28.6	21.0	15.25	12.75	30.0	19.6	9.50	8.05	3.80	2.68
YHE30B21S	TP9C080B12MP13C	17.5	CF/CM/CU36B	800	29.2	21.4	15.75	13.00	30.0	20.0	9.50	7.75	4.22	2.88
YHE30B21S	TP9C080B12MP13C	17.5	CF30BBBA1	800	28.6	21.0	15.25	12.75	30.0	19.6	9.50	8.05	3.80	2.68
YHE30B21S	TP9C080B12MP13C	17.5	CM30BBBA1	800	28.6	21.0	15.25	12.75	30.0	19.6	9.50	8.05	3.80	2.68
YHE30B21S	TP9C080C16MP12C	21.0	CF/CM/CU36C	975	29.2	21.8	15.50	13.00	29.0	19.4	9.00	-	3.96	2.78
YHE30B21S	TP9C080C16MP12C	21.0	CF/CM/CU42C	975	29.6	22.2	15.75	13.00	28.6	19.0	9.00	-	3.98	2.74
YHE30B21S	TP9C080C16MP13C	21.0	CF/CM/CU30C	950	29.4	23.0	15.50	12.75	30.0	19.5	9.50	7.95	3.94	2.74
YHE30B21S	TP9C080C16MP13C	21.0	CF/CM/CU30D	950	29.4	23.0	15.50	13.00	30.0	19.5	9.50	7.95	3.96	2.74
YHE30B21S	TP9C080C16MP13C	21.0	CF/CM/CU36C	950	30.0	23.4	15.75	13.00	30.0	20.0	9.50	7.60	4.38	2.94
YHE30B21S	TP9C080C16MP13C	21.0	CF/CM/CU36D	950	30.0	23.4	15.75	13.00	30.0	20.0	9.50	7.55	4.40	2.94
YHE30B21S	TP9C080C16MP13C	21.0	CF/CM30C	950	29.4	23.0	15.50	12.75	30.0	19.5	9.50	7.95	3.94	2.74
YHE30B21S	TP9C080C16MP13C	21.0	CF/CM36D	950	30.0	23.4	15.75	13.00	30.0	20.0	9.50	7.55	4.40	2.94
YHE30B21S	TP9C100C16MP12C	21.0	CF/CM/CU36C	900	30.0	22.8	15.75	13.00	30.0	19.9	9.50	7.55	4.38	2.94
YHE30B21S	TP9C100C16MP12C	21.0	CF/CM/CU42C	975	29.6	22.2	15.75	13.00	28.6	19.0	9.00	-	3.98	2.74
YHE30B21S	TP9C100C16MP12C	21.0	CF/CM30C	900	29.2	22.4	15.75	13.00	30.0	19.5	9.50	7.95	3.92	2.74
YHE30B21S	TP9C100C16MP12C	21.0	CF/CM36D	900	30.0	22.8	15.75	13.00	30.0	19.9	9.50	7.60	4.38	2.94
YHE30B21S	TP9C100C16MP13C	21.0	CF/CM/CU30C	900	29.2	22.4	15.75	13.00	30.0	19.5	9.50	7.95	3.92	2.74
YHE30B21S	TP9C100C16MP13C	21.0	CF/CM/CU30D	900	29.4	22.6	15.75	13.00	29.8	19.4	9.50	7.95	3.94	2.74
YHE30B21S	TP9C100C16MP13C	21.0	CF/CM/CU36C	900	30.0	22.8	15.75	13.00	30.0	19.9	9.50	7.55	4.38	2.94
YHE30B21S	TP9C100C16MP13C	21.0	CF/CM/CU36D	900	30.0	22.8	15.75	13.00	30.0	19.9	9.50	7.60	4.38	2.94
YHE30B21S	TP9C100C16MP13C	21.0	CF/CM30C	900	29.2	22.4	15.75	13.00	30.0	19.5	9.50	7.95	3.92	2.74
YHE30B21S	TP9C100C16MP13C	21.0	CF/CM36D	900	30.0	22.8	15.75	13.00	30.0	19.9	9.50	7.60	4.38	2.94
YHE30B21S	TP9C100C20MP12C	21.0	CF/CM/CU36C	1075	29.0	22.6	15.00	12.50	29.2	19.6	8.75	-	3.96	2.74

SYSTEM CAPACITY - With High Efficiency Motor Furnaces¹

UNIT MODEL	FURNACE		COIL MODEL ²	COOLING					HEATING					
	MODEL	WIDTH		RATED CFM	NET MBH		SEER	EER	NET MBH		HSPF Region IV	HSPF Region V	COP	
					TOTAL	SENS.			47°F OD	17°F OD			47°F OD	17°F OD
YHE30B21S	TP9C100C20MP12C	21.0	CF/CM36D	1100	30.0	25.0	15.75	13.00	30.0	20.0	9.50	7.55	4.46	2.96
YHE30B21S	TP9C100C20MP13C	21.0	CF/CM/CU30D	1100	29.8	25.0	15.50	12.75	30.0	19.4	9.50	7.90	4.06	2.80
YHE30B21S	TP9C100C20MP13C	21.0	CF/CM/CU36C	1100	30.0	25.0	15.50	13.00	30.0	20.0	9.50	7.55	4.44	2.94
YHE30B21S	TP9C100C20MP13C	21.0	CF/CM/CU36D	1100	30.0	25.0	15.75	13.00	30.0	20.0	9.50	7.55	4.46	2.96
YHE30B21S	TP9C100C20MP13C	21.0	CF/CM36D	1100	30.0	25.0	15.75	13.00	30.0	20.0	9.50	7.55	4.46	2.96
YHE30B21S	TP9C120D20MP12C	24.5	CF/CM36D	1125	29.8	23.6	16.00	13.00	29.0	19.3	9.25	-	4.12	2.84
YHE30B21S	TP9C120D20MP12C	24.5	CF/CM42D	1125	29.8	24.0	15.50	13.00	29.0	19.7	9.00	-	4.04	2.80
YHE30B21S	TP9C120D20MP13C	24.5	CF/CM/CU30D	1050	29.8	24.6	15.75	13.00	29.8	19.2	9.50	7.90	4.06	2.84
YHE30B21S	TP9C120D20MP13C	24.5	CF/CM/CU36D	1050	30.0	24.6	15.75	13.00	30.0	19.9	9.50	7.45	4.52	3.00
YHE30B21S	TP9C120D20MP13C	24.5	CF/CM36D	1050	30.0	24.6	15.75	13.00	30.0	19.9	9.50	7.45	4.52	3.00
YHE30B21S	TPLC060A12MP12C	14.5	CF/CM/CU30A	800	28.6	21.1	15.00	12.50	30.0	19.7	9.50	8.05	3.76	2.66
YHE30B21S	TPLC060A12MP12C	14.5	CF/CM36A	800	29.2	21.2	15.50	13.00	30.0	20.2	9.50	7.75	4.18	2.88
YHE30B21S	TPLC060A12MP12C	14.5	CM30ABBA1	800	28.6	21.1	15.00	12.50	30.0	19.7	9.50	8.05	3.76	2.66
YHE30B21S	TPLC060A12MP13C	14.5	CF/CM/CU30A	800	28.6	21.1	15.00	12.50	30.0	19.7	9.50	8.05	3.76	2.66
YHE30B21S	TPLC060A12MP13C	14.5	CF/CM36A	800	29.2	21.2	15.50	13.00	30.0	20.2	9.50	7.75	4.18	2.88
YHE30B21S	TPLC060A12MP13C	14.5	CM30ABBA1	800	28.6	21.1	15.00	12.50	30.0	19.7	9.50	8.05	3.76	2.66
YHE30B21S	TPLC080B12MP12C	17.5	CF/CM/CU30B	825	28.8	21.5	15.00	12.50	30.0	19.7	9.50	8.10	3.78	2.68
YHE30B21S	TPLC080B12MP12C	17.5	CF/CM/CU36B	825	29.4	21.6	15.50	13.00	30.0	20.2	9.50	7.70	4.20	2.86
YHE30B21S	TPLC080B12MP12C	17.5	CF30BBBA1	825	28.8	21.5	15.00	12.50	30.0	19.7	9.50	8.10	3.78	2.68
YHE30B21S	TPLC080B12MP12C	17.5	CF42B	1000	29.4	22.0	15.00	12.50	29.0	19.3	8.75	-	3.86	2.66
YHE30B21S	TPLC080B12MP12C	17.5	CM30BBBA1	825	28.8	21.5	15.00	12.50	30.0	19.7	9.50	8.10	3.78	2.68
YHE30B21S	TPLC080B12MP13C	17.5	CF/CM/CU30B	825	28.8	21.5	15.00	12.50	30.0	19.7	9.50	8.10	3.78	2.68
YHE30B21S	TPLC080B12MP13C	17.5	CF/CM/CU36B	825	29.4	21.6	15.50	13.00	30.0	20.2	9.50	7.70	4.20	2.86
YHE30B21S	TPLC080B12MP13C	17.5	CF30BBBA1	825	28.8	21.5	15.00	12.50	30.0	19.7	9.50	8.10	3.78	2.68
YHE30B21S	TPLC080B12MP13C	17.5	CM30BBBA1	825	28.8	21.5	15.00	12.50	30.0	19.7	9.50	8.10	3.78	2.68
YHE30B21S	TPLC080C16MP12C	21.0	CF/CM/CU36C	875	29.8	22.4	15.75	13.00	30.0	19.9	9.50	7.60	4.34	2.94
YHE30B21S	TPLC080C16MP12C	21.0	CF/CM/CU42C	925	29.8	21.8	15.75	13.00	28.4	19.0	9.00	-	3.92	2.72
YHE30B21S	TPLC080C16MP12C	21.0	CF/CM30C	875	29.2	22.2	15.50	13.00	30.0	19.4	9.50	8.00	3.92	2.74
YHE30B21S	TPLC080C16MP12C	21.0	CF/CM36D	875	29.8	22.4	15.75	13.00	30.0	19.9	9.50	7.60	4.34	2.94
YHE30B21S	TPLC080C16MP13C	21.0	CF/CM/CU30C	875	29.2	22.2	15.50	13.00	30.0	19.4	9.50	8.00	3.92	2.74
YHE30B21S	TPLC080C16MP13C	21.0	CF/CM/CU30D	875	29.2	22.2	15.75	13.00	30.0	19.4	9.50	7.95	3.92	2.74
YHE30B21S	TPLC080C16MP13C	21.0	CF/CM/CU36C	875	29.8	22.4	15.75	13.00	30.0	19.9	9.50	7.60	4.34	2.94
YHE30B21S	TPLC080C16MP13C	21.0	CF/CM/CU36D	875	29.8	22.4	15.75	13.00	30.0	19.9	9.50	7.60	4.34	2.94
YHE30B21S	TPLC080C16MP13C	21.0	CF/CM30C	875	29.2	22.2	15.50	13.00	30.0	19.4	9.50	8.00	3.92	2.74
YHE30B21S	TPLC080C16MP13C	21.0	CF/CM36D	875	29.8	22.4	15.75	13.00	30.0	19.9	9.50	7.60	4.34	2.94
YHE30B21S	TPLC100C16MP12C	21.0	CF/CM/CU36C	925	28.8	20.8	15.25	12.75	28.8	19.5	9.00	-	3.88	2.76
YHE30B21S	TPLC100C16MP12C	21.0	CF/CM/CU42C	925	29.8	21.8	15.75	13.00	28.4	19.0	9.00	-	3.92	2.72

SYSTEM CAPACITY - With High Efficiency Motor Furnaces¹

UNIT MODEL	FURNACE		COIL MODEL ²	COOLING					HEATING					
	MODEL	WIDTH		RATED CFM	NET MBH		SEER	EER	NET MBH		HSPF Region IV	HSPF Region V	COP	
					TOTAL	SENS.			47°F OD	17°F OD			47°F OD	17°F OD
YHE30B21S	TPLC100C16MP12C	21.0	CF/CM30C	875	29.2	22.2	15.50	13.00	30.0	19.4	9.50	8.00	3.92	2.74
YHE30B21S	TPLC100C16MP12C	21.0	CF/CM36D	875	29.8	22.4	15.75	13.00	30.0	19.9	9.50	7.60	4.34	2.94
YHE30B21S	TPLC100C16MP13C	21.0	CF/CM/CU30C	875	29.2	22.2	15.50	13.00	30.0	19.4	9.50	8.00	3.92	2.74
YHE30B21S	TPLC100C16MP13C	21.0	CF/CM/CU30D	875	29.2	22.2	15.75	13.00	30.0	19.4	9.50	7.95	3.92	2.74
YHE30B21S	TPLC100C16MP13C	21.0	CF/CM/CU36C	875	29.8	22.4	15.75	13.00	30.0	19.9	9.50	7.60	4.34	2.94
YHE30B21S	TPLC100C16MP13C	21.0	CF/CM/CU36D	875	29.8	22.4	15.75	13.00	30.0	19.9	9.50	7.60	4.34	2.94
YHE30B21S	TPLC100C16MP13C	21.0	CF/CM30C	875	29.2	22.2	15.50	13.00	30.0	19.4	9.50	8.00	3.92	2.74
YHE30B21S	TPLC100C16MP13C	21.0	CF/CM36D	875	29.8	22.4	15.75	13.00	30.0	19.9	9.50	7.60	4.34	2.94
YHE30B21S	YP9C060B12MP12C	17.5	CF/CM/CU36B	950	29.0	21.4	15.00	12.50	29.0	19.6	9.00	-	3.88	2.72
YHE30B21S	YP9C060B12MP12C	17.5	CF42B	925	29.8	21.6	15.50	13.00	28.6	19.0	9.00	-	3.90	2.70
YHE30B21S	YP9C060B12MP13C	17.5	CF/CM/CU30B	875	29.0	22.0	15.00	12.50	30.0	19.6	9.50	8.05	3.84	2.70
YHE30B21S	YP9C060B12MP13C	17.5	CF/CM/CU36B	875	29.6	22.2	15.25	13.00	30.0	20.2	9.50	7.65	4.24	2.88
YHE30B21S	YP9C060B12MP13C	17.5	CF30BBBA1	875	29.0	22.0	15.00	12.50	30.0	19.6	9.50	8.05	3.84	2.70
YHE30B21S	YP9C060B12MP13C	17.5	CM30BBBA1	875	29.0	22.0	15.00	12.50	30.0	19.6	9.50	8.05	3.84	2.70
YHE30B21S	YP9C080B12MP12C	17.5	CF/CM/CU30B	800	28.6	21.0	15.25	12.75	30.0	19.6	9.50	8.05	3.80	2.68
YHE30B21S	YP9C080B12MP12C	17.5	CF/CM/CU36B	850	29.4	22.0	15.50	13.00	30.0	20.0	9.50	7.65	4.28	2.90
YHE30B21S	YP9C080B12MP12C	17.5	CF30BBBA1	800	28.6	21.0	15.25	12.75	30.0	19.6	9.50	8.05	3.80	2.68
YHE30B21S	YP9C080B12MP12C	17.5	CF42B	925	29.8	21.6	15.50	13.00	28.6	19.0	9.00	-	3.90	2.70
YHE30B21S	YP9C080B12MP12C	17.5	CM30BBBA1	800	28.6	21.0	15.25	12.75	30.0	19.6	9.50	8.05	3.80	2.68
YHE30B21S	YP9C080B12MP13C	17.5	CF/CM/CU30B	800	28.6	21.0	15.25	12.75	30.0	19.6	9.50	8.05	3.80	2.68
YHE30B21S	YP9C080B12MP13C	17.5	CF/CM/CU36B	850	29.4	22.0	15.50	13.00	30.0	20.0	9.50	7.65	4.28	2.90
YHE30B21S	YP9C080B12MP13C	17.5	CF30BBBA1	800	28.6	21.0	15.25	12.75	30.0	19.6	9.50	8.05	3.80	2.68
YHE30B21S	YP9C080B12MP13C	17.5	CM30BBBA1	800	28.6	21.0	15.25	12.75	30.0	19.6	9.50	8.05	3.80	2.68
YHE30B21S	YP9C080C16MP12C	21.0	CF/CM/CU36C	975	29.2	21.8	15.50	13.00	29.0	19.4	9.00	-	3.96	2.78
YHE30B21S	YP9C080C16MP12C	21.0	CF/CM/CU42C	975	29.6	22.2	15.75	13.00	28.6	19.0	9.00	-	3.98	2.74
YHE30B21S	YP9C080C16MP13C	21.0	CF/CM/CU30C	950	29.4	23.0	15.50	12.75	30.0	19.5	9.50	7.95	3.94	2.74
YHE30B21S	YP9C080C16MP13C	21.0	CF/CM/CU30D	950	29.4	23.0	15.50	13.00	30.0	19.5	9.50	7.95	3.96	2.74
YHE30B21S	YP9C080C16MP13C	21.0	CF/CM/CU36C	950	30.0	23.4	15.75	13.00	30.0	20.0	9.50	7.60	4.38	2.94
YHE30B21S	YP9C080C16MP13C	21.0	CF/CM/CU36D	950	30.0	23.4	15.75	13.00	30.0	20.0	9.50	7.55	4.40	2.94
YHE30B21S	YP9C080C16MP13C	21.0	CF/CM30C	950	29.4	23.0	15.50	12.75	30.0	19.5	9.50	7.95	3.94	2.74
YHE30B21S	YP9C080C16MP13C	21.0	CF/CM36D	950	30.0	23.4	15.75	13.00	30.0	20.0	9.50	7.55	4.40	2.94
YHE30B21S	YP9C100C16MP12C	21.0	CF/CM/CU36C	900	30.0	22.8	15.75	13.00	30.0	19.9	9.50	7.55	4.38	2.94
YHE30B21S	YP9C100C16MP12C	21.0	CF/CM/CU42C	975	29.6	22.2	15.75	13.00	28.6	19.0	9.00	-	3.98	2.74
YHE30B21S	YP9C100C16MP12C	21.0	CF/CM30C	900	29.2	22.4	15.75	13.00	30.0	19.5	9.50	7.95	3.92	2.74
YHE30B21S	YP9C100C16MP12C	21.0	CF/CM36D	900	30.0	22.8	15.75	13.00	30.0	19.9	9.50	7.60	4.38	2.94
YHE30B21S	YP9C100C16MP13C	21.0	CF/CM/CU30C	900	29.2	22.4	15.75	13.00	30.0	19.5	9.50	7.95	3.92	2.74
YHE30B21S	YP9C100C16MP13C	21.0	CF/CM/CU30D	900	29.4	22.6	15.75	13.00	29.8	19.4	9.50	7.95	3.94	2.74

SYSTEM CAPACITY - With High Efficiency Motor Furnaces¹

UNIT MODEL	FURNACE		COIL MODEL ²	COOLING					HEATING					
	MODEL	WIDTH		RATED CFM	NET MBH		SEER	EER	NET MBH		HSPF Region IV	HSPF Region V	COP	
					TOTAL	SENS.			47°F OD	17°F OD			47°F OD	17°F OD
YHE30B21S	YP9C100C16MP13C	21.0	CF/CM/CU36C	900	30.0	22.8	15.75	13.00	30.0	19.9	9.50	7.55	4.38	2.94
YHE30B21S	YP9C100C16MP13C	21.0	CF/CM/CU36D	900	30.0	22.8	15.75	13.00	30.0	19.9	9.50	7.60	4.38	2.94
YHE30B21S	YP9C100C16MP13C	21.0	CF/CM30C	900	29.2	22.4	15.75	13.00	30.0	19.5	9.50	7.95	3.92	2.74
YHE30B21S	YP9C100C16MP13C	21.0	CF/CM36D	900	30.0	22.8	15.75	13.00	30.0	19.9	9.50	7.60	4.38	2.94
YHE30B21S	YP9C100C20MP12C	21.0	CF/CM/CU36C	1075	29.0	22.6	15.00	12.50	29.2	19.6	8.75	–	3.96	2.74
YHE30B21S	YP9C100C20MP12C	21.0	CF/CM36D	1100	30.0	25.0	15.75	13.00	30.0	20.0	9.50	7.55	4.46	2.96
YHE30B21S	YP9C100C20MP13C	21.0	CF/CM/CU30D	1100	29.8	25.0	15.50	12.75	30.0	19.4	9.50	7.90	4.06	2.80
YHE30B21S	YP9C100C20MP13C	21.0	CF/CM/CU36C	1100	30.0	25.0	15.50	13.00	30.0	20.0	9.50	7.55	4.44	2.94
YHE30B21S	YP9C100C20MP13C	21.0	CF/CM/CU36D	1100	30.0	25.0	15.75	13.00	30.0	20.0	9.50	7.55	4.46	2.96
YHE30B21S	YP9C100C20MP13C	21.0	CF/CM36D	1100	30.0	25.0	15.75	13.00	30.0	20.0	9.50	7.55	4.46	2.96
YHE30B21S	YP9C120D20MP12C	24.5	CF/CM36D	1125	29.8	23.6	16.00	13.00	29.0	19.3	9.25	–	4.12	2.84
YHE30B21S	YP9C120D20MP12C	24.5	CF/CM42D	1125	29.8	24.0	15.50	13.00	29.0	19.7	9.00	–	4.04	2.80
YHE30B21S	YP9C120D20MP13C	24.5	CF/CM/CU30D	1050	29.8	24.6	15.75	13.00	29.8	19.2	9.50	7.90	4.06	2.84
YHE30B21S	YP9C120D20MP13C	24.5	CF/CM/CU36D	1050	30.0	24.6	15.75	13.00	30.0	19.9	9.50	7.45	4.52	3.00
YHE30B21S	YP9C120D20MP13C	24.5	CF/CM36D	1050	30.0	24.6	15.75	13.00	30.0	19.9	9.50	7.45	4.52	3.00
YHE30B21S	YPLC060A12MP12C	14.5	CF/CM/CU30A	800	28.6	21.1	15.00	12.50	30.0	19.7	9.50	8.05	3.76	2.66
YHE30B21S	YPLC060A12MP12C	14.5	CF/CM36A	800	29.2	21.2	15.50	13.00	30.0	20.2	9.50	7.75	4.18	2.88
YHE30B21S	YPLC060A12MP12C	14.5	CM30ABBA1	800	28.6	21.1	15.00	12.50	30.0	19.7	9.50	8.05	3.76	2.66
YHE30B21S	YPLC060A12MP13C	14.5	CF/CM/CU30A	800	28.6	21.1	15.00	12.50	30.0	19.7	9.50	8.05	3.76	2.66
YHE30B21S	YPLC060A12MP13C	14.5	CF/CM36A	800	29.2	21.2	15.50	13.00	30.0	20.2	9.50	7.75	4.18	2.88
YHE30B21S	YPLC060A12MP13C	14.5	CM30ABBA1	800	28.6	21.1	15.00	12.50	30.0	19.7	9.50	8.05	3.76	2.66
YHE30B21S	YPLC080B12MP12C	17.5	CF/CM/CU30B	825	28.8	21.5	15.00	12.50	30.0	19.7	9.50	8.10	3.78	2.68
YHE30B21S	YPLC080B12MP12C	17.5	CF/CM/CU36B	825	29.4	21.6	15.50	13.00	30.0	20.2	9.50	7.70	4.20	2.86
YHE30B21S	YPLC080B12MP12C	17.5	CF30BBBA1	825	28.8	21.5	15.00	12.50	30.0	19.7	9.50	8.10	3.78	2.68
YHE30B21S	YPLC080B12MP12C	17.5	CF42B	1000	29.4	22.0	15.00	12.50	29.0	19.3	8.75	–	3.86	2.66
YHE30B21S	YPLC080B12MP12C	17.5	CM30BBBA1	825	28.8	21.5	15.00	12.50	30.0	19.7	9.50	8.10	3.78	2.68
YHE30B21S	YPLC080B12MP13C	17.5	CF/CM/CU30B	825	28.8	21.5	15.00	12.50	30.0	19.7	9.50	8.10	3.78	2.68
YHE30B21S	YPLC080B12MP13C	17.5	CF/CM/CU36B	825	29.4	21.6	15.50	13.00	30.0	20.2	9.50	7.70	4.20	2.86
YHE30B21S	YPLC080B12MP13C	17.5	CF30BBBA1	825	28.8	21.5	15.00	12.50	30.0	19.7	9.50	8.10	3.78	2.68
YHE30B21S	YPLC080B12MP13C	17.5	CM30BBBA1	825	28.8	21.5	15.00	12.50	30.0	19.7	9.50	8.10	3.78	2.68
YHE30B21S	YPLC080C16MP12C	21.0	CF/CM/CU36C	875	29.8	22.4	15.75	13.00	30.0	19.9	9.50	7.60	4.34	2.94
YHE30B21S	YPLC080C16MP12C	21.0	CF/CM/CU42C	925	29.8	21.8	15.75	13.00	28.4	19.0	9.00	–	3.92	2.72
YHE30B21S	YPLC080C16MP12C	21.0	CF/CM30C	875	29.2	22.2	15.50	13.00	30.0	19.4	9.50	8.00	3.92	2.74
YHE30B21S	YPLC080C16MP12C	21.0	CF/CM36D	875	29.8	22.4	15.75	13.00	30.0	19.9	9.50	7.60	4.34	2.94
YHE30B21S	YPLC080C16MP13C	21.0	CF/CM/CU30C	875	29.2	22.2	15.50	13.00	30.0	19.4	9.50	8.00	3.92	2.74
YHE30B21S	YPLC080C16MP13C	21.0	CF/CM/CU30D	875	29.2	22.2	15.75	13.00	30.0	19.4	9.50	7.95	3.92	2.74
YHE30B21S	YPLC080C16MP13C	21.0	CF/CM/CU36C	875	29.8	22.4	15.75	13.00	30.0	19.9	9.50	7.60	4.34	2.94

SYSTEM CAPACITY - With High Efficiency Motor Furnaces¹

UNIT MODEL	FURNACE		COIL MODEL ²	COOLING					HEATING					
	MODEL	WIDTH		RATED CFM	NET MBH		SEER	EER	NET MBH		HSPF Region IV	HSPF Region V	COP	
					TOTAL	SENS.			47°F OD	17°F OD			47°F OD	17°F OD
YHE30B21S	YPLC080C16MP13C	21.0	CF/CM/CU36D	875	29.8	22.4	15.75	13.00	30.0	19.9	9.50	7.60	4.34	2.94
YHE30B21S	YPLC080C16MP13C	21.0	CF/CM30C	875	29.2	22.2	15.50	13.00	30.0	19.4	9.50	8.00	3.92	2.74
YHE30B21S	YPLC080C16MP13C	21.0	CF/CM36D	875	29.8	22.4	15.75	13.00	30.0	19.9	9.50	7.60	4.34	2.94
YHE30B21S	YPLC100C16MP12C	21.0	CF/CM/CU36C	925	28.8	20.8	15.25	12.75	28.8	19.5	9.00	–	3.88	2.76
YHE30B21S	YPLC100C16MP12C	21.0	CF/CM/CU42C	925	29.8	21.8	15.75	13.00	28.4	19.0	9.00	–	3.92	2.72
YHE30B21S	YPLC100C16MP12C	21.0	CF/CM30C	875	29.2	22.2	15.50	13.00	30.0	19.4	9.50	8.00	3.92	2.74
YHE30B21S	YPLC100C16MP12C	21.0	CF/CM36D	875	29.8	22.4	15.75	13.00	30.0	19.9	9.50	7.60	4.34	2.94
YHE30B21S	YPLC100C16MP13C	21.0	CF/CM/CU30C	875	29.2	22.2	15.50	13.00	30.0	19.4	9.50	8.00	3.92	2.74
YHE30B21S	YPLC100C16MP13C	21.0	CF/CM/CU30D	875	29.2	22.2	15.75	13.00	30.0	19.4	9.50	7.95	3.92	2.74
YHE30B21S	YPLC100C16MP13C	21.0	CF/CM/CU36C	875	29.8	22.4	15.75	13.00	30.0	19.9	9.50	7.60	4.34	2.94
YHE30B21S	YPLC100C16MP13C	21.0	CF/CM/CU36D	875	29.8	22.4	15.75	13.00	30.0	19.9	9.50	7.60	4.34	2.94
YHE30B21S	YPLC100C16MP13C	21.0	CF/CM30C	875	29.2	22.2	15.50	13.00	30.0	19.4	9.50	8.00	3.92	2.74
YHE30B21S	YPLC100C16MP13C	21.0	CF/CM36D	875	29.8	22.4	15.75	13.00	30.0	19.9	9.50	7.60	4.34	2.94
YHE35B21S	TL8E060A12UH11	14.5	CF/CM/CU36B	1025	35.2	25.0	14.25	12.00	33.8	21.6	8.20	7.10	3.40	2.28
YHE35B21S	TL8E060A12UH11	14.5	CF42B	1200	36.0	27.0	14.00	12.00	34.6	21.0	8.20	6.95	3.56	2.30
YHE35B21S	TL8E080C16UH11	21.0	CF/CM/CU36C	950	35.4	24.6	15.00	12.25	33.2	21.2	8.20	7.15	3.40	2.28
YHE35B21S	TL8E080C16UH11	21.0	CF/CM/CU42C	1125	36.0	26.7	15.00	12.50	34.0	20.6	8.20	6.90	3.62	2.34
YHE35B21S	TL8E080C16UH11	21.0	CF/CM/CU48C	1125	36.0	26.5	15.00	12.50	33.4	21.4	8.50	7.30	3.60	2.48
YHE35B21S	TL8E080C16UH11	21.0	CF/CM/CU48D	1125	36.0	26.5	15.00	12.50	33.4	21.4	8.50	7.30	3.60	2.48
YHE35B21S	TL8E080C16UH11	21.0	CF/CM36D	950	35.4	24.6	15.00	12.25	33.2	21.2	8.20	7.15	3.40	2.30
YHE35B21S	TL8E080C16UH11	21.0	CF/CM42D	1125	36.0	26.7	15.00	12.50	34.0	20.6	8.20	6.90	3.62	2.34
YHE35B21S	TL8E100C20UH11	21.0	CF/CM/CU36C	1050	35.6	25.6	15.00	12.25	33.6	21.2	8.20	7.10	3.50	2.34
YHE35B21S	TL8E100C20UH11	21.0	CF/CM/CU42C	1250	36.0	28.0	15.00	12.50	34.4	20.6	8.50	7.15	3.74	2.40
YHE35B21S	TL8E100C20UH11	21.0	CF/CM/CU48C	1250	36.0	27.8	15.00	12.50	33.8	21.4	9.00	7.80	3.72	2.54
YHE35B21S	TL8E100C20UH11	21.0	CF/CM/CU48D	1275	36.0	28.2	15.00	12.50	33.8	21.4	9.00	7.70	3.76	2.56
YHE35B21S	TL8E100C20UH11	21.0	CF/CM36D	1050	35.6	25.6	15.00	12.25	33.6	21.2	8.20	7.10	3.50	2.34
YHE35B21S	TL8E100C20UH11	21.0	CF/CM42D	1275	36.0	28.2	15.00	12.50	34.4	20.6	8.50	7.10	3.78	2.42
YHE35B21S	TL9E060B12UH11	17.5	CF/CM/CU36B	1025	35.2	25.0	14.00	11.50	33.8	21.6	8.20	7.10	3.36	2.26
YHE35B21S	TL9E060B12UH11	17.5	CF/CM/CU36C	1050	35.2	25.2	14.00	12.00	34.0	21.6	8.20	7.10	3.38	2.28
YHE35B21S	TL9E060B12UH11	17.5	CF/CM/CU42C	1050	35.8	25.5	14.25	12.20	34.0	20.8	8.20	7.00	3.48	2.26
YHE35B21S	TL9E060B12UH11	17.5	CF/CM/CU48C	1050	36.0	25.5	14.25	12.20	33.4	21.6	8.20	7.10	3.46	2.38
YHE35B21S	TL9E060B12UH11	17.5	CF42B	1025	35.8	25.3	14.25	12.00	34.0	20.8	8.20	7.05	3.46	2.24
YHE35B21S	TL9E080C16UH11	21.0	CF/CM/CU36C	1250	35.8	27.3	14.00	12.00	34.6	21.8	8.20	7.00	3.56	2.40
YHE35B21S	TL9E080C16UH11	21.0	CF/CM/CU42C	1075	36.0	26.1	15.00	12.25	33.8	20.6	8.20	6.95	3.56	2.30
YHE35B21S	TL9E080C16UH11	21.0	CF/CM/CU48C	1075	36.0	25.9	15.00	12.25	33.2	21.4	8.50	7.40	3.54	2.44
YHE35B21S	TL9E080C16UH11	21.0	CF/CM/CU48D	1100	36.0	26.3	15.00	12.25	33.2	21.4	8.50	7.35	3.58	2.46
YHE35B21S	TL9E080C16UH11	21.0	CF/CM36D	1275	36.0	27.7	14.00	12.00	34.6	21.8	8.50	7.25	3.60	2.40

SYSTEM CAPACITY - With High Efficiency Motor Furnaces¹

UNIT MODEL	FURNACE		COIL MODEL ²	COOLING					HEATING					
	MODEL	WIDTH		RATED CFM	NET MBH		SEER	EER	NET MBH		HSPF Region IV	HSPF Region V	COP	
					TOTAL	SENS.			47°F OD	17°F OD			47°F OD	17°F OD
YHE35B21S	TL9E080C16UH11	21.0	CF/CM42D	1100	36.0	26.3	15.00	12.25	33.8	20.6	8.20	6.95	3.60	2.32
YHE35B21S	TL9E100C20UH11	21.0	CF/CM/CU36C	1125	35.8	26.3	15.00	12.25	33.8	21.4	8.20	7.00	3.54	2.38
YHE35B21S	TL9E100C20UH11	21.0	CF/CM/CU42C	1225	36.0	27.8	15.00	12.50	34.2	20.6	8.50	7.15	3.72	2.40
YHE35B21S	TL9E100C20UH11	21.0	CF/CM/CU48C	1225	36.0	27.6	15.00	12.50	33.6	21.4	9.00	7.80	3.70	2.52
YHE35B21S	TL9E100C20UH11	21.0	CF/CM/CU48D	1250	36.0	27.8	15.00	12.50	33.8	21.4	9.00	7.75	3.72	2.54
YHE35B21S	TL9E100C20UH11	21.0	CF/CM36D	1150	36.0	26.7	15.00	12.25	34.0	21.4	8.20	7.00	3.56	2.40
YHE35B21S	TL9E100C20UH11	21.0	CF/CM42D	1250	36.0	28.0	15.00	12.50	34.4	20.6	8.50	7.10	3.74	2.42
YHE35B21S	TM8E040A12MP11	14.5	CF/CM/CU36B	1200	35.6	26.7	14.00	11.50	34.6	21.8	8.20	7.05	3.50	2.36
YHE35B21S	TM8E040A12MP11	14.5	CF/CM36A	975	35.2	24.6	14.25	12.00	33.6	21.6	8.20	7.15	3.36	2.26
YHE35B21S	TM8E040A12MP11	14.5	CF42B	1175	36.0	26.9	14.00	12.00	34.4	21.0	8.20	6.95	3.56	2.32
YHE35B21S	TM8E060A12MP11	14.5	CF/CM/CU36B	1025	35.4	25.2	14.50	12.20	33.6	21.4	8.20	7.15	3.42	2.30
YHE35B21S	TM8E060A12MP11	14.5	CF/CM36A	975	35.2	24.6	14.25	12.00	33.6	21.6	8.20	7.15	3.36	2.26
YHE35B21S	TM8E060A12MP11	14.5	CF42B	1200	36.0	27.0	14.00	12.00	34.6	21.0	8.20	6.95	3.56	2.30
YHE35B21S	TM8E080B12MP11	17.5	CF/CM/CU36B	1025	35.4	25.2	14.50	12.20	33.6	21.4	8.20	7.10	3.40	2.30
YHE35B21S	TM8E080B12MP11	17.5	CF/CM/CU36C	1050	35.4	25.4	14.50	12.20	33.8	21.4	8.20	7.05	3.44	2.32
YHE35B21S	TM8E080B12MP11	17.5	CF/CM/CU42C	1050	36.0	25.7	15.00	12.25	33.8	20.6	8.20	7.00	3.54	2.28
YHE35B21S	TM8E080B12MP11	17.5	CF/CM/CU48C	1050	36.0	25.7	15.00	12.25	33.2	21.4	8.20	7.10	3.52	2.42
YHE35B21S	TM8E080B12MP11	17.5	CF42B	1200	36.0	27.0	14.00	12.00	34.6	21.0	8.20	6.95	3.56	2.30
YHE35B21S	TM8E080C16MP11	21.0	CF/CM/CU36C	1100	35.8	26.1	15.00	12.25	33.8	21.4	8.20	7.05	3.52	2.36
YHE35B21S	TM8E080C16MP11	21.0	CF/CM/CU42C	1100	36.0	26.5	15.00	12.50	33.8	20.4	8.20	6.90	3.62	2.34
YHE35B21S	TM8E080C16MP11	21.0	CF/CM/CU48C	1100	36.0	26.3	15.00	12.50	33.2	21.2	8.50	7.35	3.60	2.46
YHE35B21S	TM8E080C16MP11	21.0	CF/CM/CU48D	1100	36.0	26.3	15.00	12.50	33.2	21.2	8.50	7.35	3.60	2.46
YHE35B21S	TM8E080C16MP11	21.0	CF/CM36D	1125	35.8	26.3	15.00	12.25	33.8	21.4	8.20	7.00	3.54	2.38
YHE35B21S	TM8E080C16MP11	21.0	CF/CM42D	1125	36.0	26.7	15.00	12.50	33.8	20.4	8.20	6.90	3.64	2.34
YHE35B21S	TM8E080C20MP11	21.0	CF/CM/CU36C	1250	36.0	27.7	14.50	12.25	34.4	21.6	8.50	7.25	3.64	2.44
YHE35B21S	TM8E080C20MP11	21.0	CF/CM/CU42C	1250	36.0	28.0	14.50	12.50	34.4	20.6	8.50	7.15	3.74	2.40
YHE35B21S	TM8E080C20MP11	21.0	CF/CM/CU48C	1250	36.0	27.8	15.00	12.50	33.8	21.4	9.00	7.80	3.72	2.54
YHE35B21S	TM8E080C20MP11	21.0	CF/CM/CU48D	1275	36.0	28.2	15.00	12.50	33.8	21.4	9.00	7.70	3.76	2.56
YHE35B21S	TM8E080C20MP11	21.0	CF/CM36D	1275	36.0	27.9	14.50	12.25	34.4	21.4	8.50	7.25	3.66	2.46
YHE35B21S	TM8E080C20MP11	21.0	CF/CM42D	1275	36.0	28.2	15.00	12.50	34.4	20.6	8.50	7.10	3.78	2.42
YHE35B21S	TM8E100B12MP11	17.5	CF/CM/CU36B	1225	35.6	26.9	14.00	11.50	34.6	22.0	8.20	7.05	3.50	2.36
YHE35B21S	TM8E100B12MP11	17.5	CF/CM/CU36C	1250	35.8	27.3	14.00	12.00	34.6	21.8	8.20	7.00	3.54	2.38
YHE35B21S	TM8E100B12MP11	17.5	CF/CM/CU42C	1100	36.0	26.3	14.50	12.25	34.0	20.6	8.20	6.95	3.56	2.30
YHE35B21S	TM8E100B12MP11	17.5	CF/CM/CU48C	1250	36.0	27.4	14.00	12.20	34.2	21.8	8.50	7.30	3.62	2.48
YHE35B21S	TM8E100B12MP11	17.5	CF42B	1200	36.0	27.0	14.00	12.00	34.6	21.0	8.20	6.90	3.58	2.32
YHE35B21S	TM8E100C16MP11	21.0	CF/CM/CU36C	1300	36.0	28.0	14.00	12.20	34.8	21.8	8.50	7.25	3.64	2.44
YHE35B21S	TM8E100C16MP11	21.0	CF/CM/CU42C	1125	36.0	26.7	15.00	12.50	34.0	20.6	8.20	6.90	3.64	2.34

SYSTEM CAPACITY - With High Efficiency Motor Furnaces¹

UNIT MODEL	FURNACE		COIL MODEL ²	COOLING					HEATING					
	MODEL	WIDTH		RATED CFM	NET MBH		SEER	EER	NET MBH		HSPF Region IV	HSPF Region V	COP	
					TOTAL	SENS.			47°F OD	17°F OD			47°F OD	17°F OD
YHE35B21S	TM8E100C16MP11	21.0	CF/CM/CU48C	1125	36.0	26.5	15.00	12.50	33.4	21.4	8.50	7.30	3.62	2.48
YHE35B21S	TM8E100C16MP11	21.0	CF/CM/CU48D	1125	36.0	26.5	15.00	12.50	33.2	21.4	8.50	7.30	3.62	2.48
YHE35B21S	TM8E100C16MP11	21.0	CF/CM36D	1125	35.8	26.3	15.00	12.25	33.8	21.4	8.20	7.05	3.54	2.36
YHE35B21S	TM8E100C16MP11	21.0	CF/CM42D	1125	36.0	26.7	15.00	12.50	33.8	20.4	8.20	6.90	3.64	2.34
YHE35B21S	TM8E100C20MP11	21.0	CF/CM/CU36C	1250	36.0	27.7	14.50	12.25	34.4	21.6	8.50	7.25	3.64	2.44
YHE35B21S	TM8E100C20MP11	21.0	CF/CM/CU42C	1250	36.0	28.0	14.50	12.50	34.4	20.6	8.50	7.15	3.74	2.40
YHE35B21S	TM8E100C20MP11	21.0	CF/CM/CU48C	1250	36.0	27.8	15.00	12.50	33.8	21.4	9.00	7.80	3.72	2.54
YHE35B21S	TM8E100C20MP11	21.0	CF/CM/CU48D	1275	36.0	28.2	15.00	12.50	33.8	21.4	9.00	7.70	3.74	2.56
YHE35B21S	TM8E100C20MP11	21.0	CF/CM36D	1275	36.0	27.9	14.50	12.25	34.4	21.4	8.50	7.25	3.66	2.46
YHE35B21S	TM8E100C20MP11	21.0	CF/CM42D	1275	36.0	28.2	15.00	12.50	34.4	20.6	8.50	7.10	3.78	2.42
YHE35B21S	TM8E120C16MP11	21.0	CF/CM/CU36C	1125	35.8	26.3	15.00	12.25	33.8	21.4	8.20	7.05	3.52	2.36
YHE35B21S	TM8E120C16MP11	21.0	CF/CM/CU42C	1125	36.0	26.7	15.00	12.50	34.0	20.6	8.20	6.90	3.64	2.34
YHE35B21S	TM8E120C16MP11	21.0	CF/CM/CU48C	1125	36.0	26.5	15.00	12.50	33.4	21.4	8.50	7.30	3.62	2.48
YHE35B21S	TM8E120C16MP11	21.0	CF/CM/CU48D	1125	36.0	26.5	15.00	12.50	33.2	21.4	8.50	7.35	3.62	2.48
YHE35B21S	TM8E120C16MP11	21.0	CF/CM36D	1125	35.8	26.3	15.00	12.25	33.8	21.4	8.20	7.05	3.54	2.36
YHE35B21S	TM8E120C16MP11	21.0	CF/CM42D	1125	36.0	26.7	15.00	12.50	33.8	20.4	8.20	6.90	3.64	2.34
YHE35B21S	TM8E120C20MP11	21.0	CF/CM/CU36C	1275	36.0	27.9	14.25	12.20	34.4	21.6	8.50	7.25	3.64	2.44
YHE35B21S	TM8E120C20MP11	21.0	CF/CM/CU42C	1275	36.0	28.2	14.50	12.50	34.4	20.6	8.50	7.10	3.74	2.42
YHE35B21S	TM8E120C20MP11	21.0	CF/CM/CU48C	1300	36.0	28.4	14.50	12.50	34.0	21.4	9.00	7.75	3.76	2.56
YHE35B21S	TM8E120C20MP11	21.0	CF/CM/CU48D	1300	36.0	28.4	15.00	12.50	34.0	21.4	9.00	7.75	3.76	2.58
YHE35B21S	TM8E120C20MP11	21.0	CF/CM36D	1300	36.0	28.2	14.50	12.25	34.6	21.6	8.50	7.20	3.68	2.46
YHE35B21S	TM8E120C20MP11	21.0	CF/CM42D	1300	36.0	28.6	14.50	12.50	34.6	20.6	8.50	7.10	3.78	2.44
YHE35B21S	TM8E130D20MP11	24.5	CF/CM/CU48D	1300	36.0	28.4	15.00	12.50	34.0	21.4	9.00	7.70	3.76	2.58
YHE35B21S	TM8E130D20MP11	24.5	CF/CM36D	1300	36.0	28.2	14.50	12.25	34.6	21.6	8.50	7.25	3.68	2.46
YHE35B21S	TM8E130D20MP11	24.5	CF/CM42D	1300	36.0	28.6	14.50	12.50	34.6	20.6	8.50	7.10	3.78	2.44
YHE35B21S	TM8V080B12MP11C	17.5	CF42B	1000	34.4	24.2	14.00	11.75	33.6	21.4	8.50	-	3.50	2.40
YHE35B21S	TM8V080C16MP11C	21.0	CF/CM/CU36C	1050	34.6	26.0	14.25	12.20	34.0	21.8	8.55	7.45	3.52	2.42
YHE35B21S	TM8V080C16MP11C	21.0	CF/CM/CU42C	1050	35.0	26.2	14.50	12.20	33.6	21.6	8.55	7.40	3.58	2.44
YHE35B21S	TM8V080C16MP11C	21.0	CF/CM36D	875	33.8	23.7	14.25	12.20	33.8	21.8	8.20	7.15	3.40	2.34
YHE35B21S	TM8V080C16MP11C	21.0	CF/CM42D	1200	35.8	28.3	14.25	12.20	33.6	21.6	8.50	7.30	3.64	2.44
YHE35B21S	TM8V080C16MP12C	21.0	CF/CM/CU36C	1050	34.6	26.0	14.25	12.20	34.0	21.8	8.55	7.45	3.52	2.42
YHE35B21S	TM8V080C16MP12C	21.0	CF/CM/CU36D	875	33.8	23.7	14.25	12.20	33.8	21.8	8.20	7.15	3.40	2.34
YHE35B21S	TM8V080C16MP12C	21.0	CF/CM/CU42C	1050	35.0	26.2	14.50	12.20	33.6	21.6	8.55	7.40	3.58	2.44
YHE35B21S	TM8V080C16MP12C	21.0	CF/CM/CU42D	1200	35.8	28.3	14.25	12.20	33.6	21.6	8.50	7.30	3.64	2.44
YHE35B21S	TM8V080C16MP12C	21.0	CF/CM36D	875	33.8	23.7	14.25	12.20	33.8	21.8	8.20	7.15	3.40	2.34
YHE35B21S	TM8V080C16MP12C	21.0	CF/CM42D	1200	35.8	28.3	14.25	12.20	33.6	21.6	8.50	7.30	3.64	2.44
YHE35B21S	TM8V100C16MP11C	21.0	CF/CM/CU36C	1050	34.6	26.0	14.25	12.20	34.0	21.8	8.55	7.45	3.52	2.42

SYSTEM CAPACITY - With High Efficiency Motor Furnaces¹

UNIT MODEL	FURNACE		COIL MODEL ²	COOLING					HEATING					
	MODEL	WIDTH		RATED CFM	NET MBH		SEER	EER	NET MBH		HSPF Region IV	HSPF Region V	COP	
					TOTAL	SENS.			47°F OD	17°F OD			47°F OD	17°F OD
YHE35B21S	TM8V100C16MP11C	21.0	CF/CM/CU42C	1050	35.0	26.2	14.50	12.20	33.6	21.6	8.55	7.40	3.58	2.44
YHE35B21S	TM8V100C16MP11C	21.0	CF/CM36D	875	33.8	23.7	14.25	12.20	33.8	21.8	8.20	7.15	3.40	2.34
YHE35B21S	TM8V100C16MP11C	21.0	CF/CM42D	1200	35.8	28.3	14.25	12.20	33.6	21.6	8.50	7.30	3.64	2.44
YHE35B21S	TM8V100C16MP12C	21.0	CF/CM/CU36C	1050	34.6	26.0	14.25	12.20	34.0	21.8	8.55	7.45	3.52	2.42
YHE35B21S	TM8V100C16MP12C	21.0	CF/CM/CU36D	875	33.8	23.7	14.25	12.20	33.8	21.8	8.20	7.15	3.40	2.34
YHE35B21S	TM8V100C16MP12C	21.0	CF/CM/CU42C	1050	35.0	26.2	14.50	12.20	33.6	21.6	8.55	7.40	3.58	2.44
YHE35B21S	TM8V100C16MP12C	21.0	CF/CM/CU42D	1200	35.8	28.3	14.25	12.20	33.6	21.6	8.50	7.30	3.64	2.44
YHE35B21S	TM8V100C16MP12C	21.0	CF/CM36D	875	33.8	23.7	14.25	12.20	33.8	21.8	8.20	7.15	3.40	2.34
YHE35B21S	TM8V100C16MP12C	21.0	CF/CM42D	1200	35.8	28.3	14.25	12.20	33.6	21.6	8.50	7.30	3.64	2.44
YHE35B21S	TM8V100C20MP11C	21.0	CF/CM/CU36C	1150	35.0	27.2	14.50	12.20	33.8	21.6	8.55	7.35	3.62	2.46
YHE35B21S	TM8V100C20MP11C	21.0	CF/CM/CU42C	1150	35.6	27.6	14.50	12.25	33.6	21.4	8.55	7.35	3.66	2.48
YHE35B21S	TM8V100C20MP11C	21.0	CF/CM42D	1225	36.0	28.6	14.50	12.25	33.6	21.4	8.55	7.35	3.70	2.46
YHE35B21S	TM8V100C20MP12C	21.0	CF/CM/CU36C	1150	35.0	27.2	14.50	12.20	33.8	21.6	8.55	7.35	3.62	2.46
YHE35B21S	TM8V100C20MP12C	21.0	CF/CM/CU42C	1150	35.6	27.6	14.50	12.25	33.6	21.4	8.55	7.35	3.66	2.48
YHE35B21S	TM8V100C20MP12C	21.0	CF/CM/CU42D	1225	36.0	28.6	14.50	12.25	33.6	21.4	8.55	7.35	3.70	2.46
YHE35B21S	TM8V100C20MP12C	21.0	CF/CM42D	1225	36.0	28.6	14.50	12.25	33.6	21.4	8.55	7.35	3.70	2.46
YHE35B21S	TM8V120C20MP11C	21.0	CF/CM/CU36C	1150	35.0	27.2	14.50	12.20	33.8	21.6	8.55	7.35	3.62	2.46
YHE35B21S	TM8V120C20MP11C	21.0	CF/CM/CU42C	1150	35.6	27.6	14.50	12.25	33.6	21.4	8.55	7.35	3.66	2.48
YHE35B21S	TM8V120C20MP11C	21.0	CF/CM42D	1225	36.0	28.6	14.50	12.25	33.6	21.4	8.55	7.35	3.70	2.46
YHE35B21S	TM8V120C20MP12C	21.0	CF/CM/CU36C	1150	35.0	27.2	14.50	12.20	33.8	21.6	8.55	7.35	3.62	2.46
YHE35B21S	TM8V120C20MP12C	21.0	CF/CM/CU42C	1150	35.6	27.6	14.50	12.25	33.6	21.4	8.55	7.35	3.66	2.48
YHE35B21S	TM8V120C20MP12C	21.0	CF/CM/CU42D	1225	36.0	28.6	14.50	12.25	33.6	21.4	8.55	7.35	3.70	2.46
YHE35B21S	TM8V120C20MP12C	21.0	CF/CM42D	1225	36.0	28.6	14.50	12.25	33.6	21.4	8.55	7.35	3.70	2.46
YHE35B21S	TM8X080B12MP11	17.5	CF/CM/CU36B	975	34.2	24.9	14.00	12.20	34.2	22.2	8.20	7.15	3.40	2.28
YHE35B21S	TM8X080B12MP11	17.5	CF42B	950	34.6	24.8	14.25	11.75	33.8	21.6	8.55	7.50	3.48	2.40
YHE35B21S	TM8X080C16MP11	21.0	CF/CM/CU36C	950	34.2	24.6	14.00	12.25	33.8	22.0	8.20	7.10	3.46	2.28
YHE35B21S	TM8X080C16MP11	21.0	CF/CM/CU42C	950	34.6	24.8	14.75	12.25	33.6	21.6	8.55	7.45	3.52	2.42
YHE35B21S	TM8X080C16MP11	21.0	CF/CM36D	1075	34.8	24.8	14.50	12.00	33.4	21.6	8.50	-	3.54	2.46
YHE35B21S	TM8X080C16MP11	21.0	CF/CM36D	1075	34.8	24.8	14.50	12.00	33.4	21.6	8.50	-	3.54	2.46
YHE35B21S	TM8X080C16MP11	21.0	CF/CM42D	1075	35.2	25.4	14.50	12.25	33.4	21.2	8.75	-	3.66	2.48
YHE35B21S	TM8X080C16MP11	21.0	CF/CM42D	1075	35.2	25.4	14.50	12.25	33.4	21.2	8.75	-	3.66	2.48
YHE35B21S	TM8X100C16MP11	21.0	CF/CM/CU36C	950	34.2	24.6	14.00	12.25	33.8	22.0	8.20	7.10	3.46	2.28
YHE35B21S	TM8X100C16MP11	21.0	CF/CM/CU42C	950	34.6	24.8	14.75	12.25	33.6	21.6	8.55	7.45	3.52	2.42
YHE35B21S	TM8X100C16MP11	21.0	CF/CM36D	1075	34.8	24.8	14.50	12.00	33.4	21.6	8.50	-	3.54	2.46
YHE35B21S	TM8X100C16MP11	21.0	CF/CM36D	1075	34.8	24.8	14.50	12.00	33.4	21.6	8.50	-	3.54	2.46
YHE35B21S	TM8X100C16MP11	21.0	CF/CM42D	1075	35.2	25.4	14.50	12.25	33.4	21.2	8.75	-	3.66	2.48
YHE35B21S	TM8X100C16MP11	21.0	CF/CM42D	1075	35.2	25.4	14.50	12.25	33.4	21.2	8.75	-	3.66	2.48

SYSTEM CAPACITY - With High Efficiency Motor Furnaces¹

UNIT MODEL	FURNACE		COIL MODEL ²	COOLING					HEATING					
	MODEL	WIDTH		RATED CFM	NET MBH		SEER	EER	NET MBH		HSPF Region IV	HSPF Region V	COP	
					TOTAL	SENS.			47°F OD	17°F OD			47°F OD	17°F OD
YHE35B21S	TM8X100C20MP11	21.0	CF/CM/CU36C	1000	34.6	25.4	14.25	12.25	34.0	22.0	8.20	7.05	3.48	2.30
YHE35B21S	TM8X100C20MP11	21.0	CF/CM/CU42C	1000	35.0	25.6	14.75	12.25	33.6	21.4	8.55	7.40	3.58	2.44
YHE35B21S	TM8X100C20MP11	21.0	CF/CM36D	1100	34.8	25.0	14.25	12.25	33.4	21.6	8.50	-	3.56	2.46
YHE35B21S	TM8X100C20MP11	21.0	CF/CM36D	1100	34.8	25.0	14.25	12.25	33.4	21.6	8.50	-	3.56	2.46
YHE35B21S	TM8X100C20MP11	21.0	CF/CM42D	1100	35.4	26.2	14.75	12.50	33.6	21.2	8.75	-	3.74	2.52
YHE35B21S	TM8X100C20MP11	21.0	CF/CM42D	1100	35.4	26.2	14.75	12.50	33.6	21.2	8.75	-	3.74	2.52
YHE35B21S	TM8X120C20MP11	21.0	CF/CM/CU36C	1000	34.6	25.4	14.25	12.25	34.0	22.0	8.20	7.05	3.48	2.30
YHE35B21S	TM8X120C20MP11	21.0	CF/CM/CU42C	1000	35.0	25.6	14.75	12.25	33.6	21.4	8.55	7.40	3.58	2.44
YHE35B21S	TM8X120C20MP11	21.0	CF/CM36D	1100	34.8	25.0	14.25	12.25	33.4	21.6	8.50	-	3.56	2.46
YHE35B21S	TM8X120C20MP11	21.0	CF/CM36D	1100	34.8	25.0	14.25	12.25	33.4	21.6	8.50	-	3.56	2.46
YHE35B21S	TM8X120C20MP11	21.0	CF/CM42D	1100	35.4	26.2	14.75	12.50	33.6	21.2	8.75	-	3.74	2.52
YHE35B21S	TM8X120C20MP11	21.0	CF/CM42D	1100	35.4	26.2	14.75	12.50	33.6	21.2	8.75	-	3.74	2.52
YHE35B21S	TM8Y080B12MP11	17.5	CF/CM/CU36B	975	34.2	24.9	14.00	12.20	34.2	22.2	8.20	7.15	3.40	2.28
YHE35B21S	TM8Y080B12MP11	17.5	CF42B	950	34.6	24.8	14.25	11.75	33.8	21.6	8.55	7.50	3.48	2.40
YHE35B21S	TM8Y080C16MP11	21.0	CF/CM/CU36C	950	34.2	24.6	14.00	12.25	33.8	22.0	8.20	7.10	3.46	2.28
YHE35B21S	TM8Y080C16MP11	21.0	CF/CM/CU42C	950	34.6	24.8	14.75	12.25	33.6	21.6	8.55	7.45	3.52	2.42
YHE35B21S	TM8Y080C16MP11	21.0	CF/CM36D	1075	34.8	24.8	14.50	12.00	33.4	21.6	8.50	-	3.54	2.46
YHE35B21S	TM8Y080C16MP11	21.0	CF/CM36D	1075	34.8	24.8	14.50	12.00	33.4	21.6	8.50	-	3.54	2.46
YHE35B21S	TM8Y080C16MP11	21.0	CF/CM42D	1075	35.2	25.4	14.50	12.25	33.4	21.2	8.75	-	3.66	2.48
YHE35B21S	TM8Y080C16MP11	21.0	CF/CM42D	1075	35.2	25.4	14.50	12.25	33.4	21.2	8.75	-	3.66	2.48
YHE35B21S	TM8Y100C16MP11	21.0	CF/CM/CU36C	950	34.2	24.6	14.00	12.25	33.8	22.0	8.20	7.10	3.46	2.28
YHE35B21S	TM8Y100C16MP11	21.0	CF/CM/CU42C	950	34.6	24.8	14.75	12.25	33.6	21.6	8.55	7.45	3.52	2.42
YHE35B21S	TM8Y100C16MP11	21.0	CF/CM36D	1075	34.8	24.8	14.50	12.00	33.4	21.6	8.50	-	3.54	2.46
YHE35B21S	TM8Y100C16MP11	21.0	CF/CM36D	1075	34.8	24.8	14.50	12.00	33.4	21.6	8.50	-	3.54	2.46
YHE35B21S	TM8Y100C16MP11	21.0	CF/CM42D	1075	35.2	25.4	14.50	12.25	33.4	21.2	8.75	-	3.66	2.48
YHE35B21S	TM8Y100C16MP11	21.0	CF/CM42D	1075	35.2	25.4	14.50	12.25	33.4	21.2	8.75	-	3.66	2.48
YHE35B21S	TM8Y100C20MP11	21.0	CF/CM/CU36C	1000	34.6	25.4	14.25	12.25	34.0	22.0	8.20	7.05	3.48	2.30
YHE35B21S	TM8Y100C20MP11	21.0	CF/CM/CU42C	1000	35.0	25.6	14.75	12.25	33.6	21.4	8.55	7.40	3.58	2.44
YHE35B21S	TM8Y100C20MP11	21.0	CF/CM36D	1100	34.8	25.0	14.25	12.25	33.4	21.6	8.50	-	3.56	2.46
YHE35B21S	TM8Y100C20MP11	21.0	CF/CM36D	1100	34.8	25.0	14.25	12.25	33.4	21.6	8.50	-	3.56	2.46
YHE35B21S	TM8Y100C20MP11	21.0	CF/CM42D	1100	35.4	26.2	14.75	12.50	33.6	21.2	8.75	-	3.74	2.52
YHE35B21S	TM8Y100C20MP11	21.0	CF/CM42D	1100	35.4	26.2	14.75	12.50	33.6	21.2	8.75	-	3.74	2.52
YHE35B21S	TM8Y120C20MP11	21.0	CF/CM/CU36C	1000	34.6	25.4	14.25	12.25	34.0	22.0	8.20	7.05	3.48	2.30
YHE35B21S	TM8Y120C20MP11	21.0	CF/CM/CU42C	1000	35.0	25.6	14.75	12.25	33.6	21.4	8.55	7.40	3.58	2.44
YHE35B21S	TM8Y120C20MP11	21.0	CF/CM36D	1100	34.8	25.0	14.25	12.25	33.4	21.6	8.50	-	3.56	2.46
YHE35B21S	TM8Y120C20MP11	21.0	CF/CM36D	1100	34.8	25.0	14.25	12.25	33.4	21.6	8.50	-	3.56	2.46
YHE35B21S	TM8Y120C20MP11	21.0	CF/CM42D	1100	35.4	26.2	14.75	12.50	33.6	21.2	8.75	-	3.74	2.52

SYSTEM CAPACITY - With High Efficiency Motor Furnaces¹

UNIT MODEL	FURNACE		COIL MODEL ²	COOLING					HEATING					
	MODEL	WIDTH		RATED CFM	NET MBH		SEER	EER	NET MBH		HSPF Region IV	HSPF Region V	COP	
					TOTAL	SENS.			47°F OD	17°F OD			47°F OD	17°F OD
YHE35B21S	TM8Y120C20MP11	21.0	CF/CM42D	1100	35.4	26.2	14.75	12.50	33.6	21.2	8.75	–	3.74	2.52
YHE35B21S	TM9E060A10MP12	14.5	CF/CM/CU36B	1025	35.0	24.8	14.00	11.50	34.0	21.8	8.20	7.15	3.34	2.26
YHE35B21S	TM9E060A10MP12	14.5	CF42B	1025	35.6	25.1	14.00	12.00	34.0	20.8	8.20	7.00	3.44	2.24
YHE35B21S	TM9E060B12MP12	17.5	CF/CM/CU36B	1075	35.2	25.4	14.00	11.50	34.2	21.8	8.20	7.10	3.38	2.28
YHE35B21S	TM9E060B12MP12	17.5	CF/CM/CU36C	1100	35.4	25.8	14.00	11.50	34.2	21.8	8.20	7.10	3.42	2.30
YHE35B21S	TM9E060B12MP12	17.5	CF/CM/CU42C	950	35.6	24.5	15.00	12.25	33.4	20.6	8.20	7.05	3.44	2.24
YHE35B21S	TM9E060B12MP12	17.5	CF/CM/CU48C	950	35.8	24.5	15.00	12.25	32.8	21.4	8.20	7.15	3.42	2.36
YHE35B21S	TM9E060B12MP12	17.5	CF42B	1050	35.8	25.5	14.00	12.00	34.0	20.8	8.20	7.00	3.46	2.24
YHE35B21S	TM9E080B12MP11	17.5	CF/CM/CU36B	975	34.2	24.9	14.00	11.75	34.2	22.2	8.20	7.15	3.40	2.28
YHE35B21S	TM9E080B12MP11	17.5	CF42B	975	34.6	25.0	14.25	11.75	33.8	21.8	8.55	7.45	3.48	2.40
YHE35B21S	TM9E080B12MP12	17.5	CF/CM/CU36B	1050	35.4	25.4	14.25	12.00	33.8	21.6	8.20	7.10	3.42	2.30
YHE35B21S	TM9E080B12MP12	17.5	CF/CM/CU36C	950	35.2	24.4	15.00	12.20	33.4	21.4	8.20	7.15	3.36	2.28
YHE35B21S	TM9E080B12MP12	17.5	CF/CM/CU42C	950	35.8	24.7	15.00	12.25	33.4	20.4	8.20	7.05	3.46	2.24
YHE35B21S	TM9E080B12MP12	17.5	CF/CM/CU48C	950	35.8	24.5	15.00	12.25	32.8	21.2	8.20	7.15	3.44	2.38
YHE35B21S	TM9E080B12MP12	17.5	CF42B	1025	35.8	25.3	14.50	12.20	33.8	20.6	8.20	7.00	3.48	2.26
YHE35B21S	TM9E080C16MP11	21.0	CF/CM/CU36C	1075	34.6	24.6	14.00	12.00	33.6	21.6	8.50	–	3.50	2.42
YHE35B21S	TM9E080C16MP11	21.0	CF/CM/CU42C	1225	35.4	27.0	14.00	12.00	34.0	21.6	8.50	–	3.66	2.46
YHE35B21S	TM9E080C16MP11	21.0	CF/CM36D	1075	34.6	24.6	14.25	12.00	33.6	21.6	8.50	–	3.52	2.44
YHE35B21S	TM9E080C16MP11	21.0	CF/CM42D	1075	35.0	25.4	14.25	12.25	33.6	21.2	8.75	–	3.64	2.46
YHE35B21S	TM9E080C16MP12	21.0	CF/CM/CU36C	1275	36.0	27.7	14.00	12.00	34.8	21.8	8.50	7.30	3.58	2.40
YHE35B21S	TM9E080C16MP12	21.0	CF/CM/CU42C	1075	36.0	26.1	15.00	12.25	33.8	20.6	8.20	6.95	3.56	2.30
YHE35B21S	TM9E080C16MP12	21.0	CF/CM/CU48C	1100	36.0	26.3	15.00	12.25	33.2	21.4	8.50	7.35	3.58	2.46
YHE35B21S	TM9E080C16MP12	21.0	CF/CM/CU48D	1100	36.0	26.3	15.00	12.25	33.2	21.4	8.50	7.35	3.58	2.46
YHE35B21S	TM9E080C16MP12	21.0	CF/CM36D	1275	36.0	27.7	14.00	12.00	34.6	21.8	8.50	7.30	3.58	2.40
YHE35B21S	TM9E080C16MP12	21.0	CF/CM42D	1100	36.0	26.3	15.00	12.25	33.8	20.6	8.20	6.95	3.60	2.32
YHE35B21S	TM9E080C20MP12	21.0	CF/CM/CU36C	1425	36.6	29.4	14.00	12.20	35.2	21.8	9.00	7.65	3.74	2.50
YHE35B21S	TM9E080C20MP12	21.0	CF/CM/CU42C	1225	36.0	27.6	15.00	12.50	34.2	20.6	8.50	7.15	3.72	2.40
YHE35B21S	TM9E080C20MP12	21.0	CF/CM/CU48C	1225	36.0	27.6	15.00	12.50	33.6	21.4	9.00	7.80	3.70	2.52
YHE35B21S	TM9E080C20MP12	21.0	CF/CM/CU48D	1250	36.0	27.8	15.00	12.50	33.8	21.4	9.00	7.75	3.72	2.54
YHE35B21S	TM9E080C20MP12	21.0	CF/CM36D	1250	36.0	27.7	14.50	12.25	34.4	21.4	8.50	7.25	3.64	2.44
YHE35B21S	TM9E080C20MP12	21.0	CF/CM42D	1250	36.0	28.0	15.00	12.50	34.4	20.6	8.50	7.10	3.74	2.42
YHE35B21S	TM9E100C16MP11	21.0	CF/CM/CU36C	975	34.4	25.1	14.00	12.20	34.0	22.2	8.20	7.10	3.42	2.30
YHE35B21S	TM9E100C16MP11	21.0	CF/CM/CU42C	975	34.8	25.2	14.50	12.20	33.6	21.6	8.55	7.45	3.52	2.42
YHE35B21S	TM9E100C16MP11	21.0	CF/CM36D	1075	34.6	24.6	14.25	12.00	33.6	21.6	8.50	–	3.52	2.44
YHE35B21S	TM9E100C16MP11	21.0	CF/CM36D	1075	34.6	24.6	14.25	12.00	33.6	21.6	8.50	–	3.52	2.44
YHE35B21S	TM9E100C16MP11	21.0	CF/CM42D	1075	35.0	25.4	14.25	12.25	33.6	21.2	8.75	–	3.64	2.46
YHE35B21S	TM9E100C16MP11	21.0	CF/CM42D	1075	35.0	25.4	14.25	12.25	33.6	21.2	8.75	–	3.64	2.46

SYSTEM CAPACITY - With High Efficiency Motor Furnaces¹

UNIT MODEL	FURNACE		COIL MODEL ²	COOLING					HEATING					
	MODEL	WIDTH		RATED CFM	NET MBH		SEER	EER	NET MBH		HSPF Region IV	HSPF Region V	COP	
					TOTAL	SENS.			47°F OD	17°F OD			47°F OD	17°F OD
YHE35B21S	TM9E100C16MP12	21.0	CF/CM/CU36C	1075	35.6	25.8	15.00	12.25	33.8	21.4	8.20	7.05	3.48	2.34
YHE35B21S	TM9E100C16MP12	21.0	CF/CM/CU42C	1075	36.0	26.1	15.00	12.50	33.8	20.4	8.20	6.95	3.58	2.32
YHE35B21S	TM9E100C16MP12	21.0	CF/CM/CU48C	1075	36.0	25.9	15.00	12.50	33.2	21.4	8.50	7.35	3.56	2.44
YHE35B21S	TM9E100C16MP12	21.0	CF/CM/CU48D	1075	36.0	25.9	15.00	12.50	33.2	21.2	8.50	7.35	3.56	2.44
YHE35B21S	TM9E100C16MP12	21.0	CF/CM36D	1075	35.6	25.8	15.00	12.25	33.8	21.4	8.20	7.10	3.48	2.34
YHE35B21S	TM9E100C16MP12	21.0	CF/CM42D	1075	36.0	26.1	15.00	12.50	33.8	20.4	8.20	6.95	3.58	2.32
YHE35B21S	TM9E100C20MP11	21.0	CF/CM/CU36C	1175	35.0	27.6	14.00	11.75	34.0	21.8	8.55	7.40	3.56	2.44
YHE35B21S	TM9E100C20MP11	21.0	CF/CM/CU42C	1175	35.6	27.8	14.25	12.20	33.8	21.6	8.55	7.35	3.64	2.46
YHE35B21S	TM9E100C20MP11	21.0	CF/CM36D	1225	35.0	25.6	14.00	11.75	33.8	21.8	8.25	-	3.54	2.42
YHE35B21S	TM9E100C20MP11	21.0	CF/CM36D	1225	35.0	25.6	14.00	11.75	33.8	21.8	8.25	-	3.54	2.42
YHE35B21S	TM9E100C20MP11	21.0	CF/CM42D	1200	35.0	26.0	14.00	11.75	33.8	21.6	8.50	-	3.62	2.44
YHE35B21S	TM9E100C20MP11	21.0	CF/CM42D	1200	35.0	26.0	14.00	11.75	33.8	21.6	8.50	-	3.62	2.44
YHE35B21S	TM9E100C20MP12	21.0	CF/CM/CU36C	1425	36.6	29.4	14.00	12.20	35.2	21.8	9.00	7.70	3.74	2.50
YHE35B21S	TM9E100C20MP12	21.0	CF/CM/CU42C	1225	36.0	27.8	15.00	12.50	34.2	20.6	8.50	7.15	3.72	2.40
YHE35B21S	TM9E100C20MP12	21.0	CF/CM/CU48C	1225	36.0	27.6	15.00	12.50	33.6	21.4	9.00	7.75	3.70	2.54
YHE35B21S	TM9E100C20MP12	21.0	CF/CM/CU48D	1225	36.0	27.6	15.00	12.50	33.6	21.4	9.00	7.75	3.70	2.54
YHE35B21S	TM9E100C20MP12	21.0	CF/CM36D	1225	36.0	27.5	14.50	12.25	34.2	21.4	8.50	7.30	3.62	2.42
YHE35B21S	TM9E100C20MP12	21.0	CF/CM42D	1225	36.0	27.8	15.00	12.50	34.2	20.6	8.50	7.15	3.72	2.40
YHE35B21S	TM9E120D20MP11	24.5	CF/CM36D	1225	35.0	25.6	14.00	11.75	33.8	21.8	8.50	-	3.56	2.44
YHE35B21S	TM9E120D20MP11	24.5	CF/CM36D	1225	35.0	25.6	14.00	11.75	33.8	21.8	8.50	-	3.56	2.44
YHE35B21S	TM9E120D20MP11	24.5	CF/CM42D	1200	35.2	26.0	14.25	12.00	33.8	21.4	8.50	-	3.64	2.46
YHE35B21S	TM9E120D20MP11	24.5	CF/CM42D	1200	35.2	26.0	14.25	12.00	33.8	21.4	8.50	-	3.64	2.46
YHE35B21S	TM9E120D20MP12	24.5	CF/CM/CU48D	1250	36.0	27.8	15.00	12.50	33.8	21.4	9.00	7.75	3.72	2.54
YHE35B21S	TM9E120D20MP12	24.5	CF/CM36D	1250	36.0	27.7	14.50	12.25	34.4	21.6	8.50	7.25	3.64	2.44
YHE35B21S	TM9E120D20MP12	24.5	CF/CM42D	1250	36.0	28.0	14.50	12.50	34.4	20.6	8.50	7.15	3.74	2.40
YHE35B21S	TM9V060B12MP11C	17.5	CF42B	1175	35.0	26.0	14.00	11.75	34.0	21.6	8.50	-	3.60	2.42
YHE35B21S	TM9V060B12MP12C	17.5	CF42B	1000	34.4	25.2	14.00	11.50	34.0	22.0	8.55	7.45	3.46	2.38
YHE35B21S	TM9V080B12MP11C	17.5	CF42B	1075	35.0	26.4	14.00	11.75	34.0	21.8	8.55	7.40	3.52	2.40
YHE35B21S	TM9V080B12MP12C	17.5	CF42B	1075	35.0	26.4	14.00	11.75	34.0	21.8	8.55	7.40	3.52	2.40
YHE35B21S	TM9V080C16MP11C	21.0	CF/CM/CU36C	1025	34.4	25.6	14.00	12.20	34.0	22.2	8.20	7.10	3.46	2.28
YHE35B21S	TM9V080C16MP11C	21.0	CF/CM/CU42C	1025	34.8	25.8	14.25	12.20	33.8	21.6	8.55	7.40	3.54	2.42
YHE35B21S	TM9V080C16MP11C	21.0	CF/CM36D	950	34.2	24.6	14.00	12.20	33.8	22.0	8.20	7.10	3.46	2.26
YHE35B21S	TM9V080C16MP12C	21.0	CF/CM/CU36C	1025	34.4	25.6	14.00	12.20	34.0	22.2	8.20	7.10	3.46	2.28
YHE35B21S	TM9V080C16MP12C	21.0	CF/CM/CU36D	950	34.2	24.6	14.00	12.20	33.8	22.0	8.20	7.10	3.46	2.26
YHE35B21S	TM9V080C16MP12C	21.0	CF/CM/CU42C	1025	34.8	25.8	14.25	12.20	33.8	21.6	8.55	7.40	3.54	2.42
YHE35B21S	TM9V080C16MP12C	21.0	CF/CM36D	950	34.2	24.6	14.00	12.20	33.8	22.0	8.20	7.10	3.46	2.26
YHE35B21S	TM9V100C16MP11C	21.0	CF/CM/CU36C	1000	34.6	25.4	14.00	12.25	34.0	22.0	8.20	7.10	3.48	2.30

SYSTEM CAPACITY - With High Efficiency Motor Furnaces¹

UNIT MODEL	FURNACE		COIL MODEL ²	COOLING					HEATING					
	MODEL	WIDTH		RATED CFM	NET MBH		SEER	EER	NET MBH		HSPF Region IV	HSPF Region V	COP	
					TOTAL	SENS.			47°F OD	17°F OD			47°F OD	17°F OD
YHE35B21S	TM9V100C16MP11C	21.0	CF/CM/CU42C	1000	34.8	25.6	14.75	12.20	33.6	21.6	8.55	7.40	3.56	2.44
YHE35B21S	TM9V100C16MP11C	21.0	CF/CM36D	900	34.0	24.0	14.25	12.20	33.8	21.8	8.20	7.10	3.42	2.34
YHE35B21S	TM9V100C16MP11C	21.0	CF/CM42D	1175	35.6	27.8	14.50	12.20	33.6	21.6	8.55	7.35	3.68	2.48
YHE35B21S	TM9V100C16MP12C	21.0	CF/CM/CU36C	1000	34.6	25.4	14.00	12.25	34.0	22.0	8.20	7.10	3.48	2.30
YHE35B21S	TM9V100C16MP12C	21.0	CF/CM/CU36D	900	34.0	24.0	14.25	12.20	33.8	21.8	8.20	7.10	3.42	2.34
YHE35B21S	TM9V100C16MP12C	21.0	CF/CM/CU42C	1000	34.8	25.6	14.75	12.20	33.6	21.6	8.55	7.40	3.56	2.44
YHE35B21S	TM9V100C16MP12C	21.0	CF/CM/CU42D	1175	35.6	27.8	14.50	12.20	33.6	21.6	8.55	7.35	3.68	2.48
YHE35B21S	TM9V100C16MP12C	21.0	CF/CM36D	900	34.0	24.0	14.25	12.20	33.8	21.8	8.20	7.10	3.42	2.34
YHE35B21S	TM9V100C16MP12C	21.0	CF/CM42D	1175	35.6	27.8	14.50	12.20	33.6	21.6	8.55	7.35	3.68	2.48
YHE35B21S	TM9V100C20MP11C	21.0	CF/CM/CU36C	1100	34.8	26.6	14.25	12.20	34.0	21.8	8.55	7.40	3.54	2.44
YHE35B21S	TM9V100C20MP11C	21.0	CF/CM/CU42C	1100	35.4	27.0	14.50	12.20	33.8	21.6	8.55	7.35	3.60	2.44
YHE35B21S	TM9V100C20MP11C	21.0	CF/CM36D	1100	34.8	26.6	14.25	12.20	34.0	21.8	8.55	7.40	3.56	2.44
YHE35B21S	TM9V100C20MP11C	21.0	CF/CM42D	1225	35.8	28.4	14.50	12.20	33.8	21.6	8.55	7.30	3.66	2.46
YHE35B21S	TM9V100C20MP12C	21.0	CF/CM/CU36C	1100	34.8	26.6	14.25	12.20	34.0	21.8	8.55	7.40	3.54	2.44
YHE35B21S	TM9V100C20MP12C	21.0	CF/CM/CU36D	1100	34.8	26.6	14.25	12.20	34.0	21.8	8.55	7.40	3.56	2.44
YHE35B21S	TM9V100C20MP12C	21.0	CF/CM/CU42C	1100	35.4	27.0	14.50	12.20	33.8	21.6	8.55	7.35	3.60	2.44
YHE35B21S	TM9V100C20MP12C	21.0	CF/CM/CU42D	1225	35.8	28.4	14.50	12.20	33.8	21.6	8.55	7.30	3.66	2.46
YHE35B21S	TM9V100C20MP12C	21.0	CF/CM36D	1100	34.8	26.6	14.25	12.20	34.0	21.8	8.55	7.40	3.56	2.44
YHE35B21S	TM9V100C20MP12C	21.0	CF/CM42D	1225	35.8	28.4	14.50	12.20	33.8	21.6	8.55	7.30	3.66	2.46
YHE35B21S	TM9V120D20MP11C	24.5	CF/CM36D	1050	34.8	26.4	14.25	12.25	33.8	21.8	8.55	7.45	3.54	2.44
YHE35B21S	TM9V120D20MP11C	24.5	CF/CM42D	1125	35.2	26.2	14.50	12.00	33.6	21.4	8.75	-	3.68	2.48
YHE35B21S	TM9V120D20MP12C	24.5	CF/CM/CU36D	1050	34.8	26.4	14.25	12.25	33.8	21.8	8.55	7.45	3.54	2.44
YHE35B21S	TM9V120D20MP12C	24.5	CF/CM/CU42D	1200	35.8	28.2	14.75	12.25	33.6	21.4	8.55	7.35	3.68	2.46
YHE35B21S	TM9V120D20MP12C	24.5	CF/CM36D	1050	34.8	26.4	14.25	12.25	33.8	21.8	8.55	7.45	3.54	2.44
YHE35B21S	TM9V120D20MP12C	24.5	CF/CM42D	1200	35.8	28.2	14.75	12.25	33.6	21.4	8.55	7.35	3.68	2.46
YHE35B21S	TM9Y080B12MP11	17.5	CF/CM/CU36B	975	34.2	24.9	14.00	11.75	34.2	22.2	8.20	7.15	3.40	2.28
YHE35B21S	TM9Y080B12MP11	17.5	CF42B	975	34.6	25.0	14.25	11.75	33.8	21.8	8.55	7.45	3.48	2.40
YHE35B21S	TM9Y080C16MP11	21.0	CF/CM/CU36C	1075	34.6	24.6	14.00	12.00	33.6	21.6	8.50	-	3.50	2.42
YHE35B21S	TM9Y080C16MP11	21.0	CF/CM/CU42C	1225	35.4	27.0	14.00	12.00	34.0	21.6	8.50	-	3.66	2.46
YHE35B21S	TM9Y080C16MP11	21.0	CF/CM36D	1075	34.6	24.6	14.25	12.00	33.6	21.6	8.50	-	3.52	2.44
YHE35B21S	TM9Y080C16MP11	21.0	CF/CM42D	1075	35.0	25.4	14.25	12.25	33.6	21.2	8.75	-	3.64	2.46
YHE35B21S	TM9Y100C16MP11	21.0	CF/CM/CU36C	975	34.4	25.1	14.00	12.20	34.0	22.2	8.20	7.10	3.42	2.30
YHE35B21S	TM9Y100C16MP11	21.0	CF/CM/CU42C	975	34.8	25.2	14.50	12.20	33.6	21.6	8.55	7.45	3.52	2.42
YHE35B21S	TM9Y100C16MP11	21.0	CF/CM36D	1075	34.6	24.6	14.25	12.00	33.6	21.6	8.50	-	3.52	2.44
YHE35B21S	TM9Y100C16MP11	21.0	CF/CM36D	1075	34.6	24.6	14.25	12.00	33.6	21.6	8.50	-	3.52	2.44
YHE35B21S	TM9Y100C16MP11	21.0	CF/CM42D	1075	35.0	25.4	14.25	12.25	33.6	21.2	8.75	-	3.64	2.46
YHE35B21S	TM9Y100C16MP11	21.0	CF/CM42D	1075	35.0	25.4	14.25	12.25	33.6	21.2	8.75	-	3.64	2.46

SYSTEM CAPACITY - With High Efficiency Motor Furnaces¹

UNIT MODEL	FURNACE		COIL MODEL ²	COOLING					HEATING					
	MODEL	WIDTH		RATED CFM	NET MBH		SEER	EER	NET MBH		HSPF Region IV	HSPF Region V	COP	
					TOTAL	SENS.			47°F OD	17°F OD			47°F OD	17°F OD
YHE35B21S	TM9Y100C20MP11	21.0	CF/CM/CU36C	1175	35.0	27.6	14.00	11.75	34.0	21.8	8.55	7.40	3.56	2.44
YHE35B21S	TM9Y100C20MP11	21.0	CF/CM/CU42C	1175	35.6	27.8	14.25	12.20	33.8	21.6	8.55	7.35	3.64	2.46
YHE35B21S	TM9Y100C20MP11	21.0	CF/CM36D	1225	35.0	25.6	14.00	11.75	33.8	21.8	8.25	-	3.54	2.42
YHE35B21S	TM9Y100C20MP11	21.0	CF/CM36D	1225	35.0	25.6	14.00	11.75	33.8	21.8	8.25	-	3.54	2.42
YHE35B21S	TM9Y100C20MP11	21.0	CF/CM42D	1200	35.0	26.0	14.00	11.75	33.8	21.6	8.50	-	3.62	2.44
YHE35B21S	TM9Y100C20MP11	21.0	CF/CM42D	1200	35.0	26.0	14.00	11.75	33.8	21.6	8.50	-	3.62	2.44
YHE35B21S	TM9Y120D20MP11	24.5	CF/CM36D	1225	35.0	25.6	14.00	11.75	33.8	21.8	8.50	-	3.56	2.44
YHE35B21S	TM9Y120D20MP11	24.5	CF/CM36D	1225	35.0	25.6	14.00	11.75	33.8	21.8	8.50	-	3.56	2.44
YHE35B21S	TM9Y120D20MP11	24.5	CF/CM42D	1200	35.2	26.0	14.25	12.00	33.8	21.4	8.50	-	3.64	2.46
YHE35B21S	TM9Y120D20MP11	24.5	CF/CM42D	1200	35.2	26.0	14.25	12.00	33.8	21.4	8.50	-	3.64	2.46
YHE35B21S	TMLE040A12MP11	14.5	CF/CM/CU36B	1200	35.6	26.7	14.00	11.50	34.6	21.8	8.20	7.05	3.50	2.36
YHE35B21S	TMLE040A12MP11	14.5	CF/CM36A	975	35.2	24.6	14.25	12.00	33.6	21.6	8.20	7.15	3.36	2.26
YHE35B21S	TMLE040A12MP11	14.5	CF42B	1175	36.0	26.9	14.00	12.00	34.4	21.0	8.20	6.95	3.56	2.32
YHE35B21S	TMLE060A12MP11	14.5	CF/CM/CU36B	1025	35.4	25.2	14.50	12.20	33.6	21.4	8.20	7.15	3.42	2.30
YHE35B21S	TMLE060A12MP11	14.5	CF/CM36A	975	35.2	24.6	14.25	12.00	33.6	21.6	8.20	7.15	3.36	2.26
YHE35B21S	TMLE060A12MP11	14.5	CF42B	1200	36.0	27.0	14.00	12.00	34.6	21.0	8.20	6.95	3.56	2.30
YHE35B21S	TMLE080B12MP11	17.5	CF/CM/CU36B	1025	35.4	25.2	14.50	12.20	33.6	21.4	8.20	7.10	3.40	2.30
YHE35B21S	TMLE080B12MP11	17.5	CF/CM/CU36C	1050	35.4	25.4	14.50	12.20	33.8	21.4	8.20	7.05	3.44	2.32
YHE35B21S	TMLE080B12MP11	17.5	CF/CM/CU42C	1050	36.0	25.7	15.00	12.25	33.8	20.6	8.20	7.00	3.54	2.28
YHE35B21S	TMLE080B12MP11	17.5	CF/CM/CU48C	1050	36.0	25.7	15.00	12.25	33.2	21.4	8.20	7.10	3.52	2.42
YHE35B21S	TMLE080B12MP11	17.5	CF42B	1200	36.0	27.0	14.00	12.00	34.6	21.0	8.20	6.95	3.56	2.30
YHE35B21S	TMLE080C16MP11	21.0	CF/CM/CU36C	1100	35.8	26.1	15.00	12.25	33.8	21.4	8.20	7.05	3.52	2.36
YHE35B21S	TMLE080C16MP11	21.0	CF/CM/CU42C	1100	36.0	26.5	15.00	12.50	33.8	20.4	8.20	6.90	3.62	2.34
YHE35B21S	TMLE080C16MP11	21.0	CF/CM/CU48C	1100	36.0	26.3	15.00	12.50	33.2	21.2	8.50	7.35	3.60	2.46
YHE35B21S	TMLE080C16MP11	21.0	CF/CM/CU48D	1100	36.0	26.3	15.00	12.50	33.2	21.2	8.50	7.35	3.60	2.46
YHE35B21S	TMLE080C16MP11	21.0	CF/CM36D	1125	35.8	26.3	15.00	12.25	33.8	21.4	8.20	7.00	3.54	2.38
YHE35B21S	TMLE080C16MP11	21.0	CF/CM42D	1125	36.0	26.7	15.00	12.50	33.8	20.4	8.20	6.90	3.64	2.34
YHE35B21S	TMLE080C20MP11	21.0	CF/CM/CU36C	1250	36.0	27.7	14.50	12.25	34.4	21.6	8.50	7.25	3.64	2.44
YHE35B21S	TMLE080C20MP11	21.0	CF/CM/CU42C	1250	36.0	28.0	14.50	12.50	34.4	20.6	8.50	7.15	3.74	2.40
YHE35B21S	TMLE080C20MP11	21.0	CF/CM/CU48C	1250	36.0	27.8	15.00	12.50	33.8	21.4	9.00	7.80	3.72	2.54
YHE35B21S	TMLE080C20MP11	21.0	CF/CM/CU48D	1275	36.0	28.2	15.00	12.50	33.8	21.4	9.00	7.70	3.76	2.56
YHE35B21S	TMLE080C20MP11	21.0	CF/CM36D	1275	36.0	27.9	14.50	12.25	34.4	21.4	8.50	7.25	3.66	2.46
YHE35B21S	TMLE080C20MP11	21.0	CF/CM42D	1275	36.0	28.2	15.00	12.50	34.4	20.6	8.50	7.10	3.78	2.42
YHE35B21S	TMLE100B12MP11	17.5	CF/CM/CU36B	1225	35.6	26.9	14.00	11.50	34.6	22.0	8.20	7.05	3.50	2.36
YHE35B21S	TMLE100B12MP11	17.5	CF/CM/CU36C	1250	35.8	27.3	14.00	12.00	34.6	21.8	8.20	7.00	3.54	2.38
YHE35B21S	TMLE100B12MP11	17.5	CF/CM/CU42C	1100	36.0	26.3	14.50	12.25	34.0	20.6	8.20	6.95	3.56	2.30
YHE35B21S	TMLE100B12MP11	17.5	CF/CM/CU48C	1250	36.0	27.4	14.00	12.20	34.2	21.8	8.50	7.30	3.62	2.48

SYSTEM CAPACITY - With High Efficiency Motor Furnaces¹

UNIT MODEL	FURNACE		COIL MODEL ²	COOLING					HEATING					
	MODEL	WIDTH		RATED CFM	NET MBH		SEER	EER	NET MBH		HSPF Region IV	HSPF Region V	COP	
					TOTAL	SENS.			47°F OD	17°F OD			47°F OD	17°F OD
YHE35B21S	TMLE100B12MP11	17.5	CF42B	1200	36.0	27.0	14.00	12.00	34.6	21.0	8.20	6.90	3.58	2.32
YHE35B21S	TMLE100C16MP11	21.0	CF/CM/CU36C	1300	36.0	28.0	14.00	12.20	34.8	21.8	8.50	7.25	3.64	2.44
YHE35B21S	TMLE100C16MP11	21.0	CF/CM/CU42C	1125	36.0	26.7	15.00	12.50	34.0	20.6	8.20	6.90	3.64	2.34
YHE35B21S	TMLE100C16MP11	21.0	CF/CM/CU48C	1125	36.0	26.5	15.00	12.50	33.4	21.4	8.50	7.30	3.62	2.48
YHE35B21S	TMLE100C16MP11	21.0	CF/CM/CU48D	1125	36.0	26.5	15.00	12.50	33.2	21.4	8.50	7.30	3.62	2.48
YHE35B21S	TMLE100C16MP11	21.0	CF/CM36D	1125	35.8	26.3	15.00	12.25	33.8	21.4	8.20	7.05	3.54	2.36
YHE35B21S	TMLE100C16MP11	21.0	CF/CM42D	1125	36.0	26.7	15.00	12.50	33.8	20.4	8.20	6.90	3.64	2.34
YHE35B21S	TMLE100C20MP11	21.0	CF/CM/CU36C	1250	36.0	27.7	14.50	12.25	34.4	21.6	8.50	7.25	3.64	2.44
YHE35B21S	TMLE100C20MP11	21.0	CF/CM/CU42C	1250	36.0	28.0	14.50	12.50	34.4	20.6	8.50	7.15	3.74	2.40
YHE35B21S	TMLE100C20MP11	21.0	CF/CM/CU48C	1250	36.0	27.8	15.00	12.50	33.8	21.4	9.00	7.80	3.72	2.54
YHE35B21S	TMLE100C20MP11	21.0	CF/CM/CU48D	1275	36.0	28.2	15.00	12.50	33.8	21.4	9.00	7.70	3.74	2.56
YHE35B21S	TMLE100C20MP11	21.0	CF/CM36D	1275	36.0	27.9	14.50	12.25	34.4	21.4	8.50	7.25	3.66	2.46
YHE35B21S	TMLE100C20MP11	21.0	CF/CM42D	1275	36.0	28.2	15.00	12.50	34.4	20.6	8.50	7.10	3.78	2.42
YHE35B21S	TMLE120C16MP11	21.0	CF/CM/CU36C	1125	35.8	26.3	15.00	12.25	33.8	21.4	8.20	7.05	3.52	2.36
YHE35B21S	TMLE120C16MP11	21.0	CF/CM/CU42C	1125	36.0	26.7	15.00	12.50	34.0	20.6	8.20	6.90	3.64	2.34
YHE35B21S	TMLE120C16MP11	21.0	CF/CM/CU48C	1125	36.0	26.5	15.00	12.50	33.4	21.4	8.50	7.30	3.62	2.48
YHE35B21S	TMLE120C16MP11	21.0	CF/CM/CU48D	1125	36.0	26.5	15.00	12.50	33.2	21.4	8.50	7.35	3.62	2.48
YHE35B21S	TMLE120C16MP11	21.0	CF/CM36D	1125	35.8	26.3	15.00	12.25	33.8	21.4	8.20	7.05	3.54	2.36
YHE35B21S	TMLE120C16MP11	21.0	CF/CM42D	1125	36.0	26.7	15.00	12.50	33.8	20.4	8.20	6.90	3.64	2.34
YHE35B21S	TMLE120C20MP11	21.0	CF/CM/CU36C	1275	36.0	27.9	14.25	12.20	34.4	21.6	8.50	7.25	3.64	2.44
YHE35B21S	TMLE120C20MP11	21.0	CF/CM/CU42C	1275	36.0	28.2	14.50	12.50	34.4	20.6	8.50	7.10	3.74	2.42
YHE35B21S	TMLE120C20MP11	21.0	CF/CM/CU48C	1300	36.0	28.4	14.50	12.50	34.0	21.4	9.00	7.75	3.76	2.56
YHE35B21S	TMLE120C20MP11	21.0	CF/CM/CU48D	1300	36.0	28.4	15.00	12.50	34.0	21.4	9.00	7.75	3.76	2.58
YHE35B21S	TMLE120C20MP11	21.0	CF/CM36D	1300	36.0	28.2	14.50	12.25	34.6	21.6	8.50	7.20	3.68	2.46
YHE35B21S	TMLE120C20MP11	21.0	CF/CM42D	1300	36.0	28.6	14.50	12.50	34.6	20.6	8.50	7.10	3.78	2.44
YHE35B21S	TMLE130D20MP11	24.5	CF/CM/CU48D	1300	36.0	28.4	15.00	12.50	34.0	21.4	9.00	7.70	3.76	2.58
YHE35B21S	TMLE130D20MP11	24.5	CF/CM36D	1300	36.0	28.2	14.50	12.25	34.6	21.6	8.50	7.25	3.68	2.46
YHE35B21S	TMLE130D20MP11	24.5	CF/CM42D	1300	36.0	28.6	14.50	12.50	34.6	20.6	8.50	7.10	3.78	2.44
YHE35B21S	TMLV080B12MP11C	17.5	CF42B	1000	34.4	24.2	14.00	11.75	33.6	21.4	8.50	-	3.50	2.40
YHE35B21S	TMLV080C16MP11C	21.0	CF/CM/CU36C	1050	34.6	26.0	14.25	12.20	34.0	21.8	8.55	7.45	3.52	2.42
YHE35B21S	TMLV080C16MP11C	21.0	CF/CM/CU42C	1050	35.0	26.2	14.50	12.20	33.6	21.6	8.55	7.40	3.58	2.44
YHE35B21S	TMLV080C16MP11C	21.0	CF/CM36D	875	33.8	23.7	14.25	12.20	33.8	21.8	8.20	7.15	3.40	2.34
YHE35B21S	TMLV080C16MP11C	21.0	CF/CM42D	1200	35.8	28.3	14.25	12.20	33.6	21.6	8.50	7.30	3.64	2.44
YHE35B21S	TMLV080C16MP12C	21.0	CF/CM/CU36C	1050	34.6	26.0	14.25	12.20	34.0	21.8	8.55	7.45	3.52	2.42
YHE35B21S	TMLV080C16MP12C	21.0	CF/CM/CU36D	875	33.8	23.7	14.25	12.20	33.8	21.8	8.20	7.15	3.40	2.34
YHE35B21S	TMLV080C16MP12C	21.0	CF/CM/CU42C	1050	35.0	26.2	14.50	12.20	33.6	21.6	8.55	7.40	3.58	2.44
YHE35B21S	TMLV080C16MP12C	21.0	CF/CM/CU42D	1200	35.8	28.3	14.25	12.20	33.6	21.6	8.50	7.30	3.64	2.44

SYSTEM CAPACITY - With High Efficiency Motor Furnaces¹

UNIT MODEL	FURNACE		COIL MODEL ²	COOLING					HEATING					
	MODEL	WIDTH		RATED CFM	NET MBH		SEER	EER	NET MBH		HSPF Region IV	HSPF Region V	COP	
					TOTAL	SENS.			47°F OD	17°F OD			47°F OD	17°F OD
YHE35B21S	TMLV080C16MP12C	21.0	CF/CM36D	875	33.8	23.7	14.25	12.20	33.8	21.8	8.20	7.15	3.40	2.34
YHE35B21S	TMLV080C16MP12C	21.0	CF/CM42D	1200	35.8	28.3	14.25	12.20	33.6	21.6	8.50	7.30	3.64	2.44
YHE35B21S	TMLV100C16MP11C	21.0	CF/CM/CU36C	1050	34.6	26.0	14.25	12.20	34.0	21.8	8.55	7.45	3.52	2.42
YHE35B21S	TMLV100C16MP11C	21.0	CF/CM/CU42C	1050	35.0	26.2	14.50	12.20	33.6	21.6	8.55	7.40	3.58	2.44
YHE35B21S	TMLV100C16MP11C	21.0	CF/CM36D	875	33.8	23.7	14.25	12.20	33.8	21.8	8.20	7.15	3.40	2.34
YHE35B21S	TMLV100C16MP11C	21.0	CF/CM42D	1200	35.8	28.3	14.25	12.20	33.6	21.6	8.50	7.30	3.64	2.44
YHE35B21S	TMLV100C16MP12C	21.0	CF/CM/CU36C	1050	34.6	26.0	14.25	12.20	34.0	21.8	8.55	7.45	3.52	2.42
YHE35B21S	TMLV100C16MP12C	21.0	CF/CM/CU36D	875	33.8	23.7	14.25	12.20	33.8	21.8	8.20	7.15	3.40	2.34
YHE35B21S	TMLV100C16MP12C	21.0	CF/CM/CU42C	1050	35.0	26.2	14.50	12.20	33.6	21.6	8.55	7.40	3.58	2.44
YHE35B21S	TMLV100C16MP12C	21.0	CF/CM/CU42D	1200	35.8	28.3	14.25	12.20	33.6	21.6	8.50	7.30	3.64	2.44
YHE35B21S	TMLV100C16MP12C	21.0	CF/CM36D	875	33.8	23.7	14.25	12.20	33.8	21.8	8.20	7.15	3.40	2.34
YHE35B21S	TMLV100C16MP12C	21.0	CF/CM42D	1200	35.8	28.3	14.25	12.20	33.6	21.6	8.50	7.30	3.64	2.44
YHE35B21S	TMLV100C20MP11C	21.0	CF/CM/CU36C	1150	35.0	27.2	14.50	12.20	33.8	21.6	8.55	7.35	3.62	2.46
YHE35B21S	TMLV100C20MP11C	21.0	CF/CM/CU42C	1150	35.6	27.6	14.50	12.25	33.6	21.4	8.55	7.35	3.66	2.48
YHE35B21S	TMLV100C20MP11C	21.0	CF/CM42D	1225	36.0	28.6	14.50	12.25	33.6	21.4	8.55	7.35	3.70	2.46
YHE35B21S	TMLV100C20MP12C	21.0	CF/CM/CU36C	1150	35.0	27.2	14.50	12.20	33.8	21.6	8.55	7.35	3.62	2.46
YHE35B21S	TMLV100C20MP12C	21.0	CF/CM/CU42C	1150	35.6	27.6	14.50	12.25	33.6	21.4	8.55	7.35	3.66	2.48
YHE35B21S	TMLV100C20MP12C	21.0	CF/CM/CU42D	1225	36.0	28.6	14.50	12.25	33.6	21.4	8.55	7.35	3.70	2.46
YHE35B21S	TMLV100C20MP12C	21.0	CF/CM42D	1225	36.0	28.6	14.50	12.25	33.6	21.4	8.55	7.35	3.70	2.46
YHE35B21S	TMLV120C20MP11C	21.0	CF/CM/CU36C	1150	35.0	27.2	14.50	12.20	33.8	21.6	8.55	7.35	3.62	2.46
YHE35B21S	TMLV120C20MP11C	21.0	CF/CM/CU42C	1150	35.6	27.6	14.50	12.25	33.6	21.4	8.55	7.35	3.66	2.48
YHE35B21S	TMLV120C20MP11C	21.0	CF/CM42D	1225	36.0	28.6	14.50	12.25	33.6	21.4	8.55	7.35	3.70	2.46
YHE35B21S	TMLV120C20MP12C	21.0	CF/CM/CU36C	1150	35.0	27.2	14.50	12.20	33.8	21.6	8.55	7.35	3.62	2.46
YHE35B21S	TMLV120C20MP12C	21.0	CF/CM/CU42C	1150	35.6	27.6	14.50	12.25	33.6	21.4	8.55	7.35	3.66	2.48
YHE35B21S	TMLV120C20MP12C	21.0	CF/CM/CU42D	1225	36.0	28.6	14.50	12.25	33.6	21.4	8.55	7.35	3.70	2.46
YHE35B21S	TMLV120C20MP12C	21.0	CF/CM42D	1225	36.0	28.6	14.50	12.25	33.6	21.4	8.55	7.35	3.70	2.46
YHE35B21S	TMLX080B12MP11	17.5	CF/CM/CU36B	975	34.2	24.9	14.00	12.20	34.2	22.2	8.20	7.15	3.40	2.28
YHE35B21S	TMLX080B12MP11	17.5	CF42B	950	34.6	24.8	14.25	11.75	33.8	21.6	8.55	7.50	3.48	2.40
YHE35B21S	TMLX080C16MP11	21.0	CF/CM/CU36C	950	34.2	24.6	14.00	12.25	33.8	22.0	8.20	7.10	3.46	2.28
YHE35B21S	TMLX080C16MP11	21.0	CF/CM/CU42C	950	34.6	24.8	14.75	12.25	33.6	21.6	8.55	7.45	3.52	2.42
YHE35B21S	TMLX080C16MP11	21.0	CF/CM36D	1075	34.8	24.8	14.50	12.00	33.4	21.6	8.50	–	3.54	2.46
YHE35B21S	TMLX080C16MP11	21.0	CF/CM36D	1075	34.8	24.8	14.50	12.00	33.4	21.6	8.50	–	3.54	2.46
YHE35B21S	TMLX080C16MP11	21.0	CF/CM42D	1075	35.2	25.4	14.50	12.25	33.4	21.2	8.75	–	3.66	2.48
YHE35B21S	TMLX080C16MP11	21.0	CF/CM42D	1075	35.2	25.4	14.50	12.25	33.4	21.2	8.75	–	3.66	2.48
YHE35B21S	TMLX100C16MP11	21.0	CF/CM/CU36C	950	34.2	24.6	14.00	12.25	33.8	22.0	8.20	7.10	3.46	2.28
YHE35B21S	TMLX100C16MP11	21.0	CF/CM/CU42C	950	34.6	24.8	14.75	12.25	33.6	21.6	8.55	7.45	3.52	2.42
YHE35B21S	TMLX100C16MP11	21.0	CF/CM36D	1075	34.8	24.8	14.50	12.00	33.4	21.6	8.50	–	3.54	2.46

SYSTEM CAPACITY - With High Efficiency Motor Furnaces¹

UNIT MODEL	FURNACE		COIL MODEL ²	COOLING					HEATING					
	MODEL	WIDTH		RATED CFM	NET MBH		SEER	EER	NET MBH		HSPF Region IV	HSPF Region V	COP	
					TOTAL	SENS.			47°F OD	17°F OD			47°F OD	17°F OD
YHE35B21S	TMLX100C16MP11	21.0	CF/CM36D	1075	34.8	24.8	14.50	12.00	33.4	21.6	8.50	–	3.54	2.46
YHE35B21S	TMLX100C16MP11	21.0	CF/CM42D	1075	35.2	25.4	14.50	12.25	33.4	21.2	8.75	–	3.66	2.48
YHE35B21S	TMLX100C16MP11	21.0	CF/CM42D	1075	35.2	25.4	14.50	12.25	33.4	21.2	8.75	–	3.66	2.48
YHE35B21S	TMLX100C20MP11	21.0	CF/CM/CU36C	1000	34.6	25.4	14.25	12.25	34.0	22.0	8.20	7.05	3.48	2.30
YHE35B21S	TMLX100C20MP11	21.0	CF/CM/CU42C	1000	35.0	25.6	14.75	12.25	33.6	21.4	8.55	7.40	3.58	2.44
YHE35B21S	TMLX100C20MP11	21.0	CF/CM36D	1100	34.8	25.0	14.25	12.25	33.4	21.6	8.50	–	3.56	2.46
YHE35B21S	TMLX100C20MP11	21.0	CF/CM36D	1100	34.8	25.0	14.25	12.25	33.4	21.6	8.50	–	3.56	2.46
YHE35B21S	TMLX100C20MP11	21.0	CF/CM42D	1100	35.4	26.2	14.75	12.50	33.6	21.2	8.75	–	3.74	2.52
YHE35B21S	TMLX100C20MP11	21.0	CF/CM42D	1100	35.4	26.2	14.75	12.50	33.6	21.2	8.75	–	3.74	2.52
YHE35B21S	TMLX120C20MP11	21.0	CF/CM/CU36C	1000	34.6	25.4	14.25	12.25	34.0	22.0	8.20	7.05	3.48	2.30
YHE35B21S	TMLX120C20MP11	21.0	CF/CM/CU42C	1000	35.0	25.6	14.75	12.25	33.6	21.4	8.55	7.40	3.58	2.44
YHE35B21S	TMLX120C20MP11	21.0	CF/CM36D	1100	34.8	25.0	14.25	12.25	33.4	21.6	8.50	–	3.56	2.46
YHE35B21S	TMLX120C20MP11	21.0	CF/CM36D	1100	34.8	25.0	14.25	12.25	33.4	21.6	8.50	–	3.56	2.46
YHE35B21S	TMLX120C20MP11	21.0	CF/CM42D	1100	35.4	26.2	14.75	12.50	33.6	21.2	8.75	–	3.74	2.52
YHE35B21S	TMLX120C20MP11	21.0	CF/CM42D	1100	35.4	26.2	14.75	12.50	33.6	21.2	8.75	–	3.74	2.52
YHE35B21S	TP9C060B12MP12C	17.5	CF42B	1175	35.0	26.0	14.00	11.75	34.0	21.6	8.50	–	3.60	2.42
YHE35B21S	TP9C060B12MP13C	17.5	CF42B	1000	34.4	25.2	14.00	11.50	34.0	22.0	8.55	7.45	3.46	2.38
YHE35B21S	TP9C080B12MP12C	17.5	CF42B	1075	35.0	26.4	14.00	11.75	34.0	21.8	8.55	7.40	3.52	2.40
YHE35B21S	TP9C080B12MP13C	17.5	CF42B	1075	35.0	26.4	14.00	11.75	34.0	21.8	8.55	7.40	3.52	2.40
YHE35B21S	TP9C080C16MP12C	21.0	CF/CM/CU42C	1275	35.4	27.4	14.00	11.75	34.2	21.6	8.50	–	3.68	2.46
YHE35B21S	TP9C080C16MP13C	21.0	CF/CM/CU36C	1025	34.4	25.6	14.00	12.20	34.0	22.2	8.20	7.10	3.46	2.28
YHE35B21S	TP9C080C16MP13C	21.0	CF/CM/CU36D	950	34.2	24.6	14.00	12.20	33.8	22.0	8.20	7.10	3.46	2.26
YHE35B21S	TP9C080C16MP13C	21.0	CF/CM/CU42C	1025	34.8	25.8	14.25	12.20	33.8	21.6	8.55	7.40	3.54	2.42
YHE35B21S	TP9C080C16MP13C	21.0	CF/CM36D	950	34.2	24.6	14.00	12.20	33.8	22.0	8.20	7.10	3.46	2.26
YHE35B21S	TP9C100C16MP12C	21.0	CF/CM/CU36C	1000	34.6	25.4	14.00	12.25	34.0	22.0	8.20	7.10	3.48	2.30
YHE35B21S	TP9C100C16MP12C	21.0	CF/CM/CU42C	1000	34.8	25.6	14.75	12.20	33.6	21.6	8.55	7.40	3.56	2.44
YHE35B21S	TP9C100C16MP12C	21.0	CF/CM36D	900	34.0	24.0	14.25	12.20	33.8	21.8	8.20	7.10	3.42	2.34
YHE35B21S	TP9C100C16MP12C	21.0	CF/CM42D	1175	35.6	27.8	14.50	12.20	33.6	21.6	8.55	7.35	3.68	2.48
YHE35B21S	TP9C100C16MP13C	21.0	CF/CM/CU36C	1000	34.6	25.4	14.00	12.25	34.0	22.0	8.20	7.10	3.48	2.30
YHE35B21S	TP9C100C16MP13C	21.0	CF/CM/CU36D	900	34.0	24.0	14.25	12.20	33.8	21.8	8.20	7.10	3.42	2.34
YHE35B21S	TP9C100C16MP13C	21.0	CF/CM/CU42C	1000	34.8	25.6	14.75	12.20	33.6	21.6	8.55	7.40	3.56	2.44
YHE35B21S	TP9C100C16MP13C	21.0	CF/CM/CU42D	1175	35.6	27.8	14.50	12.20	33.6	21.6	8.55	7.35	3.68	2.48
YHE35B21S	TP9C100C16MP13C	21.0	CF/CM36D	900	34.0	24.0	14.25	12.20	33.8	21.8	8.20	7.10	3.42	2.34
YHE35B21S	TP9C100C16MP13C	21.0	CF/CM42D	1175	35.6	27.8	14.50	12.20	33.6	21.6	8.55	7.35	3.68	2.48
YHE35B21S	TP9C100C20MP12C	21.0	CF/CM/CU36C	1100	34.8	26.6	14.25	12.20	34.0	21.8	8.55	7.40	3.54	2.44
YHE35B21S	TP9C100C20MP12C	21.0	CF/CM/CU42C	1100	35.4	27.0	14.50	12.20	33.8	21.6	8.55	7.35	3.60	2.44
YHE35B21S	TP9C100C20MP12C	21.0	CF/CM36D	1100	34.8	26.6	14.25	12.20	34.0	21.8	8.55	7.40	3.56	2.44

SYSTEM CAPACITY - With High Efficiency Motor Furnaces¹

UNIT MODEL	FURNACE		COIL MODEL ²	COOLING					HEATING					
	MODEL	WIDTH		RATED CFM	NET MBH		SEER	EER	NET MBH		HSPF Region IV	HSPF Region V	COP	
					TOTAL	SENS.			47°F OD	17°F OD			47°F OD	17°F OD
YHE35B21S	TP9C100C20MP12C	21.0	CF/CM42D	1225	35.8	28.4	14.50	12.20	33.8	21.6	8.55	7.30	3.66	2.46
YHE35B21S	TP9C100C20MP13C	21.0	CF/CM/CU36C	1100	34.8	26.6	14.25	12.20	34.0	21.8	8.55	7.40	3.54	2.44
YHE35B21S	TP9C100C20MP13C	21.0	CF/CM/CU36D	1100	34.8	26.6	14.25	12.20	34.0	21.8	8.55	7.40	3.56	2.44
YHE35B21S	TP9C100C20MP13C	21.0	CF/CM/CU42C	1100	35.4	27.0	14.50	12.20	33.8	21.6	8.55	7.35	3.60	2.44
YHE35B21S	TP9C100C20MP13C	21.0	CF/CM/CU42D	1225	35.8	28.4	14.50	12.20	33.8	21.6	8.55	7.30	3.66	2.46
YHE35B21S	TP9C100C20MP13C	21.0	CF/CM36D	1100	34.8	26.6	14.25	12.20	34.0	21.8	8.55	7.40	3.56	2.44
YHE35B21S	TP9C100C20MP13C	21.0	CF/CM42D	1225	35.8	28.4	14.50	12.20	33.8	21.6	8.55	7.30	3.66	2.46
YHE35B21S	TP9C120D20MP12C	24.5	CF/CM36D	1050	34.8	26.4	14.25	12.25	33.8	21.8	8.55	7.45	3.54	2.44
YHE35B21S	TP9C120D20MP12C	24.5	CF/CM42D	1125	35.2	26.2	14.50	12.00	33.6	21.4	8.75	–	3.68	2.48
YHE35B21S	TP9C120D20MP13C	24.5	CF/CM/CU36D	1050	34.8	26.4	14.25	12.25	33.8	21.8	8.55	7.45	3.54	2.44
YHE35B21S	TP9C120D20MP13C	24.5	CF/CM/CU42D	1200	35.8	28.2	14.75	12.25	33.6	21.4	8.55	7.35	3.68	2.46
YHE35B21S	TP9C120D20MP13C	24.5	CF/CM36D	1050	34.8	26.4	14.25	12.25	33.8	21.8	8.55	7.45	3.54	2.44
YHE35B21S	TP9C120D20MP13C	24.5	CF/CM42D	1200	35.8	28.2	14.75	12.25	33.6	21.4	8.55	7.35	3.68	2.46
YHE35B21S	TPLC080B12MP12C	17.5	CF42B	1000	34.4	24.2	14.00	11.75	33.6	21.4	8.50	–	3.50	2.40
YHE35B21S	TPLC080C16MP12C	21.0	CF/CM/CU36C	1050	34.6	26.0	14.25	12.20	34.0	21.8	8.55	7.45	3.52	2.42
YHE35B21S	TPLC080C16MP12C	21.0	CF/CM/CU42C	1050	35.0	26.2	14.50	12.20	33.6	21.6	8.55	7.40	3.58	2.44
YHE35B21S	TPLC080C16MP12C	21.0	CF/CM36D	875	33.8	23.7	14.25	12.20	33.8	21.8	8.20	7.15	3.40	2.34
YHE35B21S	TPLC080C16MP12C	21.0	CF/CM42D	1200	35.8	28.3	14.25	12.20	33.6	21.6	8.50	7.30	3.64	2.44
YHE35B21S	TPLC080C16MP13C	21.0	CF/CM/CU36C	1050	34.6	26.0	14.25	12.20	34.0	21.8	8.55	7.45	3.52	2.42
YHE35B21S	TPLC080C16MP13C	21.0	CF/CM/CU36D	875	33.8	23.7	14.25	12.20	33.8	21.8	8.20	7.15	3.40	2.34
YHE35B21S	TPLC080C16MP13C	21.0	CF/CM/CU42C	1050	35.0	26.2	14.50	12.20	33.6	21.6	8.55	7.40	3.58	2.44
YHE35B21S	TPLC080C16MP13C	21.0	CF/CM/CU42D	1200	35.8	28.3	14.25	12.20	33.6	21.6	8.50	7.30	3.64	2.44
YHE35B21S	TPLC080C16MP13C	21.0	CF/CM36D	875	33.8	23.7	14.25	12.20	33.8	21.8	8.20	7.15	3.40	2.34
YHE35B21S	TPLC080C16MP13C	21.0	CF/CM42D	1200	35.8	28.3	14.25	12.20	33.6	21.6	8.50	7.30	3.64	2.44
YHE35B21S	TPLC100C16MP12C	21.0	CF/CM/CU36C	1050	34.6	26.0	14.25	12.20	34.0	21.8	8.55	7.45	3.52	2.42
YHE35B21S	TPLC100C16MP12C	21.0	CF/CM/CU42C	1050	35.0	26.2	14.50	12.20	33.6	21.6	8.55	7.40	3.58	2.44
YHE35B21S	TPLC100C16MP12C	21.0	CF/CM36D	875	33.8	23.7	14.25	12.20	33.8	21.8	8.20	7.15	3.40	2.34
YHE35B21S	TPLC100C16MP12C	21.0	CF/CM42D	1200	35.8	28.3	14.25	12.20	33.6	21.6	8.50	7.30	3.64	2.44
YHE35B21S	TPLC100C16MP13C	21.0	CF/CM/CU36C	1050	34.6	26.0	14.25	12.20	34.0	21.8	8.55	7.45	3.52	2.42
YHE35B21S	TPLC100C16MP13C	21.0	CF/CM/CU36D	875	33.8	23.7	14.25	12.20	33.8	21.8	8.20	7.15	3.40	2.34
YHE35B21S	TPLC100C16MP13C	21.0	CF/CM/CU42C	1050	35.0	26.2	14.50	12.20	33.6	21.6	8.55	7.40	3.58	2.44
YHE35B21S	TPLC100C16MP13C	21.0	CF/CM/CU42D	1200	35.8	28.3	14.25	12.20	33.6	21.6	8.50	7.30	3.64	2.44
YHE35B21S	TPLC100C16MP13C	21.0	CF/CM36D	875	33.8	23.7	14.25	12.20	33.8	21.8	8.20	7.15	3.40	2.34
YHE35B21S	TPLC100C16MP13C	21.0	CF/CM42D	1200	35.8	28.3	14.25	12.20	33.6	21.6	8.50	7.30	3.64	2.44
YHE35B21S	TPLC100C20MP12C	21.0	CF/CM/CU36C	1150	35.0	27.2	14.50	12.20	33.8	21.6	8.55	7.35	3.62	2.46
YHE35B21S	TPLC100C20MP12C	21.0	CF/CM/CU42C	1150	35.6	27.6	14.50	12.25	33.6	21.4	8.55	7.35	3.66	2.48
YHE35B21S	TPLC100C20MP12C	21.0	CF/CM42D	1225	36.0	28.6	14.50	12.25	33.6	21.4	8.55	7.35	3.70	2.46

SYSTEM CAPACITY - With High Efficiency Motor Furnaces¹

UNIT MODEL	FURNACE		COIL MODEL ²	COOLING					HEATING					
	MODEL	WIDTH		RATED CFM	NET MBH		SEER	EER	NET MBH		HSPF Region IV	HSPF Region V	COP	
					TOTAL	SENS.			47°F OD	17°F OD			47°F OD	17°F OD
YHE35B21S	TPLC100C20MP13C	21.0	CF/CM/CU36C	1150	35.0	27.2	14.50	12.20	33.8	21.6	8.55	7.35	3.62	2.46
YHE35B21S	TPLC100C20MP13C	21.0	CF/CM/CU42C	1150	35.6	27.6	14.50	12.25	33.6	21.4	8.55	7.35	3.66	2.48
YHE35B21S	TPLC100C20MP13C	21.0	CF/CM/CU42D	1225	36.0	28.6	14.50	12.25	33.6	21.4	8.55	7.35	3.70	2.46
YHE35B21S	TPLC100C20MP13C	21.0	CF/CM42D	1225	36.0	28.6	14.50	12.25	33.6	21.4	8.55	7.35	3.70	2.46
YHE35B21S	TPLC120C20MP12C	21.0	CF/CM/CU36C	1150	35.0	27.2	14.50	12.20	33.8	21.6	8.55	7.35	3.62	2.46
YHE35B21S	TPLC120C20MP12C	21.0	CF/CM/CU42C	1150	35.6	27.6	14.50	12.25	33.6	21.4	8.55	7.35	3.66	2.48
YHE35B21S	TPLC120C20MP12C	21.0	CF/CM42D	1225	36.0	28.6	14.50	12.25	33.6	21.4	8.55	7.35	3.70	2.46
YHE35B21S	TPLC120C20MP13C	21.0	CF/CM/CU36C	1150	35.0	27.2	14.50	12.20	33.8	21.6	8.55	7.35	3.62	2.46
YHE35B21S	TPLC120C20MP13C	21.0	CF/CM/CU42C	1150	35.6	27.6	14.50	12.25	33.6	21.4	8.55	7.35	3.66	2.48
YHE35B21S	TPLC120C20MP13C	21.0	CF/CM/CU42D	1225	36.0	28.6	14.50	12.25	33.6	21.4	8.55	7.35	3.70	2.46
YHE35B21S	TPLC120C20MP13C	21.0	CF/CM42D	1225	36.0	28.6	14.50	12.25	33.6	21.4	8.55	7.35	3.70	2.46
YHE35B21S	YP9C060B12MP12C	17.5	CF42B	1175	35.0	26.0	14.00	11.75	34.0	21.6	8.50	-	3.60	2.42
YHE35B21S	YP9C060B12MP13C	17.5	CF42B	1000	34.4	25.2	14.00	11.50	34.0	22.0	8.55	7.45	3.46	2.38
YHE35B21S	YP9C080B12MP12C	17.5	CF42B	1075	35.0	26.4	14.00	11.75	34.0	21.8	8.55	7.40	3.52	2.40
YHE35B21S	YP9C080B12MP13C	17.5	CF42B	1075	35.0	26.4	14.00	11.75	34.0	21.8	8.55	7.40	3.52	2.40
YHE35B21S	YP9C080C16MP12C	21.0	CF/CM/CU42C	1275	35.4	27.4	14.00	11.75	34.2	21.6	8.50	-	3.68	2.46
YHE35B21S	YP9C080C16MP13C	21.0	CF/CM/CU36C	1025	34.4	25.6	14.00	12.20	34.0	22.2	8.20	7.10	3.46	2.28
YHE35B21S	YP9C080C16MP13C	21.0	CF/CM/CU36D	950	34.2	24.6	14.00	12.20	33.8	22.0	8.20	7.10	3.46	2.26
YHE35B21S	YP9C080C16MP13C	21.0	CF/CM/CU42C	1025	34.8	25.8	14.25	12.20	33.8	21.6	8.55	7.40	3.54	2.42
YHE35B21S	YP9C080C16MP13C	21.0	CF/CM36D	950	34.2	24.6	14.00	12.20	33.8	22.0	8.20	7.10	3.46	2.26
YHE35B21S	YP9C100C16MP12C	21.0	CF/CM/CU36C	1000	34.6	25.4	14.00	12.25	34.0	22.0	8.20	7.10	3.48	2.30
YHE35B21S	YP9C100C16MP12C	21.0	CF/CM/CU42C	1000	34.8	25.6	14.75	12.20	33.6	21.6	8.55	7.40	3.56	2.44
YHE35B21S	YP9C100C16MP12C	21.0	CF/CM36D	900	34.0	24.0	14.25	12.20	33.8	21.8	8.20	7.10	3.42	2.34
YHE35B21S	YP9C100C16MP12C	21.0	CF/CM42D	1175	35.6	27.8	14.50	12.20	33.6	21.6	8.55	7.35	3.68	2.48
YHE35B21S	YP9C100C16MP13C	21.0	CF/CM/CU36C	1000	34.6	25.4	14.00	12.25	34.0	22.0	8.20	7.10	3.48	2.30
YHE35B21S	YP9C100C16MP13C	21.0	CF/CM/CU36D	900	34.0	24.0	14.25	12.20	33.8	21.8	8.20	7.10	3.42	2.34
YHE35B21S	YP9C100C16MP13C	21.0	CF/CM/CU42C	1000	34.8	25.6	14.75	12.20	33.6	21.6	8.55	7.40	3.56	2.44
YHE35B21S	YP9C100C16MP13C	21.0	CF/CM/CU42D	1175	35.6	27.8	14.50	12.20	33.6	21.6	8.55	7.35	3.68	2.48
YHE35B21S	YP9C100C16MP13C	21.0	CF/CM36D	900	34.0	24.0	14.25	12.20	33.8	21.8	8.20	7.10	3.42	2.34
YHE35B21S	YP9C100C16MP13C	21.0	CF/CM42D	1175	35.6	27.8	14.50	12.20	33.6	21.6	8.55	7.35	3.68	2.48
YHE35B21S	YP9C100C20MP12C	21.0	CF/CM/CU36C	1100	34.8	26.6	14.25	12.20	34.0	21.8	8.55	7.40	3.54	2.44
YHE35B21S	YP9C100C20MP12C	21.0	CF/CM/CU42C	1100	35.4	27.0	14.50	12.20	33.8	21.6	8.55	7.35	3.60	2.44
YHE35B21S	YP9C100C20MP12C	21.0	CF/CM36D	1100	34.8	26.6	14.25	12.20	34.0	21.8	8.55	7.40	3.56	2.44
YHE35B21S	YP9C100C20MP12C	21.0	CF/CM42D	1225	35.8	28.4	14.50	12.20	33.8	21.6	8.55	7.30	3.66	2.46
YHE35B21S	YP9C100C20MP13C	21.0	CF/CM/CU36C	1100	34.8	26.6	14.25	12.20	34.0	21.8	8.55	7.40	3.54	2.44
YHE35B21S	YP9C100C20MP13C	21.0	CF/CM/CU36D	1100	34.8	26.6	14.25	12.20	34.0	21.8	8.55	7.40	3.56	2.44
YHE35B21S	YP9C100C20MP13C	21.0	CF/CM/CU42C	1100	35.4	27.0	14.50	12.20	33.8	21.6	8.55	7.35	3.60	2.44

SYSTEM CAPACITY - With High Efficiency Motor Furnaces¹

UNIT MODEL	FURNACE		COIL MODEL ²	COOLING					HEATING					
	MODEL	WIDTH		RATED CFM	NET MBH		SEER	EER	NET MBH		HSPF Region IV	HSPF Region V	COP	
					TOTAL	SENS.			47°F OD	17°F OD			47°F OD	17°F OD
YHE35B21S	YP9C100C20MP13C	21.0	CF/CM/CU42D	1225	35.8	28.4	14.50	12.20	33.8	21.6	8.55	7.30	3.66	2.46
YHE35B21S	YP9C100C20MP13C	21.0	CF/CM36D	1100	34.8	26.6	14.25	12.20	34.0	21.8	8.55	7.40	3.56	2.44
YHE35B21S	YP9C100C20MP13C	21.0	CF/CM42D	1225	35.8	28.4	14.50	12.20	33.8	21.6	8.55	7.30	3.66	2.46
YHE35B21S	YP9C120D20MP12C	24.5	CF/CM36D	1050	34.8	26.4	14.25	12.25	33.8	21.8	8.55	7.45	3.54	2.44
YHE35B21S	YP9C120D20MP12C	24.5	CF/CM42D	1125	35.2	26.2	14.50	12.00	33.6	21.4	8.75	–	3.68	2.48
YHE35B21S	YP9C120D20MP13C	24.5	CF/CM/CU36D	1050	34.8	26.4	14.25	12.25	33.8	21.8	8.55	7.45	3.54	2.44
YHE35B21S	YP9C120D20MP13C	24.5	CF/CM/CU42D	1200	35.8	28.2	14.75	12.25	33.6	21.4	8.55	7.35	3.68	2.46
YHE35B21S	YP9C120D20MP13C	24.5	CF/CM36D	1050	34.8	26.4	14.25	12.25	33.8	21.8	8.55	7.45	3.54	2.44
YHE35B21S	YP9C120D20MP13C	24.5	CF/CM42D	1200	35.8	28.2	14.75	12.25	33.6	21.4	8.55	7.35	3.68	2.46
YHE35B21S	YPLC080B12MP12C	17.5	CF42B	1000	34.4	24.2	14.00	11.75	33.6	21.4	8.50	–	3.50	2.40
YHE35B21S	YPLC080C16MP12C	21.0	CF/CM/CU36C	1050	34.6	26.0	14.25	12.20	34.0	21.8	8.55	7.45	3.52	2.42
YHE35B21S	YPLC080C16MP12C	21.0	CF/CM/CU42C	1050	35.0	26.2	14.50	12.20	33.6	21.6	8.55	7.40	3.58	2.44
YHE35B21S	YPLC080C16MP12C	21.0	CF/CM36D	875	33.8	23.7	14.25	12.20	33.8	21.8	8.20	7.15	3.40	2.34
YHE35B21S	YPLC080C16MP12C	21.0	CF/CM42D	1200	35.8	28.3	14.25	12.20	33.6	21.6	8.50	7.30	3.64	2.44
YHE35B21S	YPLC080C16MP13C	21.0	CF/CM/CU36C	1050	34.6	26.0	14.25	12.20	34.0	21.8	8.55	7.45	3.52	2.42
YHE35B21S	YPLC080C16MP13C	21.0	CF/CM/CU36D	875	33.8	23.7	14.25	12.20	33.8	21.8	8.20	7.15	3.40	2.34
YHE35B21S	YPLC080C16MP13C	21.0	CF/CM/CU42C	1050	35.0	26.2	14.50	12.20	33.6	21.6	8.55	7.40	3.58	2.44
YHE35B21S	YPLC080C16MP13C	21.0	CF/CM/CU42D	1200	35.8	28.3	14.25	12.20	33.6	21.6	8.50	7.30	3.64	2.44
YHE35B21S	YPLC080C16MP13C	21.0	CF/CM36D	875	33.8	23.7	14.25	12.20	33.8	21.8	8.20	7.15	3.40	2.34
YHE35B21S	YPLC080C16MP13C	21.0	CF/CM42D	1200	35.8	28.3	14.25	12.20	33.6	21.6	8.50	7.30	3.64	2.44
YHE35B21S	YPLC100C16MP12C	21.0	CF/CM/CU36C	1050	34.6	26.0	14.25	12.20	34.0	21.8	8.55	7.45	3.52	2.42
YHE35B21S	YPLC100C16MP12C	21.0	CF/CM/CU42C	1050	35.0	26.2	14.50	12.20	33.6	21.6	8.55	7.40	3.58	2.44
YHE35B21S	YPLC100C16MP12C	21.0	CF/CM36D	875	33.8	23.7	14.25	12.20	33.8	21.8	8.20	7.15	3.40	2.34
YHE35B21S	YPLC100C16MP12C	21.0	CF/CM42D	1200	35.8	28.3	14.25	12.20	33.6	21.6	8.50	7.30	3.64	2.44
YHE35B21S	YPLC100C16MP13C	21.0	CF/CM/CU36C	1050	34.6	26.0	14.25	12.20	34.0	21.8	8.55	7.45	3.52	2.42
YHE35B21S	YPLC100C16MP13C	21.0	CF/CM/CU36D	875	33.8	23.7	14.25	12.20	33.8	21.8	8.20	7.15	3.40	2.34
YHE35B21S	YPLC100C16MP13C	21.0	CF/CM/CU42C	1050	35.0	26.2	14.50	12.20	33.6	21.6	8.55	7.40	3.58	2.44
YHE35B21S	YPLC100C16MP13C	21.0	CF/CM/CU42D	1200	35.8	28.3	14.25	12.20	33.6	21.6	8.50	7.30	3.64	2.44
YHE35B21S	YPLC100C16MP13C	21.0	CF/CM36D	875	33.8	23.7	14.25	12.20	33.8	21.8	8.20	7.15	3.40	2.34
YHE35B21S	YPLC100C16MP13C	21.0	CF/CM42D	1200	35.8	28.3	14.25	12.20	33.6	21.6	8.50	7.30	3.64	2.44
YHE35B21S	YPLC100C20MP12C	21.0	CF/CM/CU36C	1150	35.0	27.2	14.50	12.20	33.8	21.6	8.55	7.35	3.62	2.46
YHE35B21S	YPLC100C20MP12C	21.0	CF/CM/CU42C	1150	35.6	27.6	14.50	12.25	33.6	21.4	8.55	7.35	3.66	2.48
YHE35B21S	YPLC100C20MP12C	21.0	CF/CM42D	1225	36.0	28.6	14.50	12.25	33.6	21.4	8.55	7.35	3.70	2.46
YHE35B21S	YPLC100C20MP13C	21.0	CF/CM/CU36C	1150	35.0	27.2	14.50	12.20	33.8	21.6	8.55	7.35	3.62	2.46
YHE35B21S	YPLC100C20MP13C	21.0	CF/CM/CU42C	1150	35.6	27.6	14.50	12.25	33.6	21.4	8.55	7.35	3.66	2.48
YHE35B21S	YPLC100C20MP13C	21.0	CF/CM/CU42D	1225	36.0	28.6	14.50	12.25	33.6	21.4	8.55	7.35	3.70	2.46
YHE35B21S	YPLC100C20MP13C	21.0	CF/CM42D	1225	36.0	28.6	14.50	12.25	33.6	21.4	8.55	7.35	3.70	2.46

SYSTEM CAPACITY - With High Efficiency Motor Furnaces¹

UNIT MODEL	FURNACE		COIL MODEL ²	COOLING					HEATING					
	MODEL	WIDTH		RATED CFM	NET MBH		SEER	EER	NET MBH		HSPF Region IV	HSPF Region V	COP	
					TOTAL	SENS.			47°F OD	17°F OD			47°F OD	17°F OD
YHE35B21S	YPLC120C20MP12C	21.0	CF/CM/CU36C	1150	35.0	27.2	14.50	12.20	33.8	21.6	8.55	7.35	3.62	2.46
YHE35B21S	YPLC120C20MP12C	21.0	CF/CM/CU42C	1150	35.6	27.6	14.50	12.25	33.6	21.4	8.55	7.35	3.66	2.48
YHE35B21S	YPLC120C20MP12C	21.0	CF/CM42D	1225	36.0	28.6	14.50	12.25	33.6	21.4	8.55	7.35	3.70	2.46
YHE35B21S	YPLC120C20MP13C	21.0	CF/CM/CU36C	1150	35.0	27.2	14.50	12.20	33.8	21.6	8.55	7.35	3.62	2.46
YHE35B21S	YPLC120C20MP13C	21.0	CF/CM/CU42C	1150	35.6	27.6	14.50	12.25	33.6	21.4	8.55	7.35	3.66	2.48
YHE35B21S	YPLC120C20MP13C	21.0	CF/CM/CU42D	1225	36.0	28.6	14.50	12.25	33.6	21.4	8.55	7.35	3.70	2.46
YHE35B21S	YPLC120C20MP13C	21.0	CF/CM42D	1225	36.0	28.6	14.50	12.25	33.6	21.4	8.55	7.35	3.70	2.46
YHE36B22S	TL8E060A12UH11	14.5	CF/CM/CU48C	1075	36.0	25.3	15.00	12.50	33.2	19.3	8.50	7.10	3.62	2.62
YHE36B22S	TL8E080C16UH11	21.0	CF/CM/CU48C	1125	36.0	26.0	15.25	13.00	33.4	19.4	9.00	7.55	3.70	2.66
YHE36B22S	TL8E080C16UH11	21.0	CF/CM/CU48D	1125	36.0	26.0	15.25	13.00	33.4	19.4	9.00	7.55	3.70	2.66
YHE36B22S	TL8E100C20UH11	21.0	CF/CM/CU48C	1250	36.0	26.9	15.25	13.00	34.0	19.9	9.00	7.50	3.80	2.72
YHE36B22S	TL8E100C20UH11	21.0	CF/CM/CU48D	1275	36.0	27.3	15.25	13.00	34.2	20.0	9.00	7.50	3.82	2.74
YHE36B22S	TL9E060B12UH11	17.5	CF/CM/CU48C	1050	36.0	24.9	14.50	12.25	33.2	19.3	8.50	7.15	3.56	2.56
YHE36B22S	TL9E080C16UH11	21.0	CF/CM/CU48C	1075	36.0	25.5	15.00	12.50	33.2	19.2	9.00	7.60	3.64	2.62
YHE36B22S	TL9E080C16UH11	21.0	CF/CM/CU48D	1100	36.0	25.6	15.00	12.50	33.2	19.3	9.00	7.55	3.66	2.64
YHE36B22S	TL9E100C20UH11	21.0	CF/CM/CU48C	1225	36.0	26.8	15.25	13.00	34.0	19.8	9.00	7.50	3.78	2.70
YHE36B22S	TL9E100C20UH11	21.0	CF/CM/CU48D	1250	36.0	27.1	15.25	13.00	34.0	19.9	9.00	7.50	3.80	2.72
YHE36B22S	TM8E080B12MP11	17.5	CF/CM/CU48C	1050	36.0	25.1	15.00	12.50	33.0	19.1	8.50	7.15	3.60	2.60
YHE36B22S	TM8E080C16MP11	21.0	CF/CM/CU48C	1100	36.0	25.6	15.25	13.00	33.2	19.2	9.00	7.55	3.68	2.66
YHE36B22S	TM8E080C16MP11	21.0	CF/CM/CU48D	1300	36.0	27.4	15.00	12.50	34.4	20.2	9.00	7.50	3.80	2.70
YHE36B22S	TM8E080C20MP11	21.0	CF/CM/CU48C	1250	36.0	26.9	15.25	13.00	34.0	19.9	9.00	7.50	3.80	2.72
YHE36B22S	TM8E080C20MP11	21.0	CF/CM/CU48D	1275	36.0	27.3	15.25	13.00	34.2	20.0	9.00	7.50	3.82	2.74
YHE36B22S	TM8E100B12MP11	17.5	CF/CM/CU48C	1100	36.0	25.6	15.00	12.50	33.4	19.4	9.00	7.60	3.64	2.62
YHE36B22S	TM8E100C16MP11	21.0	CF/CM/CU48C	1125	36.0	26.0	15.25	13.00	33.4	19.3	9.00	7.55	3.70	2.66
YHE36B22S	TM8E100C16MP11	21.0	CF/CM/CU48D	1125	36.0	26.0	15.25	13.00	33.4	19.3	9.00	7.60	3.70	2.66
YHE36B22S	TM8E100C20MP11	21.0	CF/CM/CU48C	1250	36.0	26.9	15.25	13.00	34.0	19.9	9.00	7.50	3.80	2.72
YHE36B22S	TM8E100C20MP11	21.0	CF/CM/CU48D	1275	36.0	27.3	15.25	13.00	34.2	20.0	9.00	7.50	3.82	2.74
YHE36B22S	TM8E120C16MP11	21.0	CF/CM/CU48C	1125	36.0	26.0	15.25	13.00	33.4	19.3	9.00	7.60	3.70	2.66
YHE36B22S	TM8E120C16MP11	21.0	CF/CM/CU48D	1125	36.0	26.0	15.25	13.00	33.4	19.3	9.00	7.55	3.70	2.66
YHE36B22S	TM8E120C20MP11	21.0	CF/CM/CU48C	1300	36.0	27.4	15.00	13.00	34.4	20.2	9.00	7.45	3.84	2.74
YHE36B22S	TM8E120C20MP11	21.0	CF/CM/CU48D	1300	36.0	27.4	15.25	13.00	34.4	20.2	9.00	7.45	3.84	2.74
YHE36B22S	TM8E130D20MP11	24.5	CF/CM/CU48D	1300	36.0	27.4	15.25	13.00	34.4	20.2	9.00	7.50	3.84	2.74
YHE36B22S	TM8V080B12MP11C	17.5	CF/CM/CU48C	1000	36.0	26.4	14.75	12.50	35.2	23.0	8.50	7.35	3.52	2.50
YHE36B22S	TM8V080B12MP12C	17.5	CF/CM/CU48C	1000	36.0	26.4	14.75	12.50	35.2	23.0	8.50	7.35	3.52	2.50
YHE36B22S	TM8V080C16MP11C	21.0	CF/CM/CU48C	1050	36.0	27.2	15.50	13.00	35.2	22.6	8.75	7.90	3.64	2.54
YHE36B22S	TM8V080C16MP11C	21.0	CF/CM/CU48D	950	36.0	25.9	15.50	13.00	35.2	22.8	8.75	7.80	3.52	2.52
YHE36B22S	TM8V080C16MP12C	21.0	CF/CM/CU48C	1050	36.0	27.2	15.50	13.00	35.2	22.6	8.75	7.90	3.64	2.54

SYSTEM CAPACITY - With High Efficiency Motor Furnaces¹

UNIT MODEL	FURNACE		COIL MODEL ²	COOLING					HEATING					
	MODEL	WIDTH		RATED CFM	NET MBH		SEER	EER	NET MBH		HSPF Region IV	HSPF Region V	COP	
					TOTAL	SENS.			47°F OD	17°F OD			47°F OD	17°F OD
YHE36B22S	TM8V080C16MP12C	21.0	CF/CM/CU48D	950	36.0	25.9	15.50	13.00	35.2	22.8	8.75	7.80	3.52	2.52
YHE36B22S	TM8V100C16MP11C	21.0	CF/CM/CU48C	1050	36.0	27.2	15.50	13.00	35.2	22.6	8.75	7.90	3.64	2.54
YHE36B22S	TM8V100C16MP11C	21.0	CF/CM/CU48D	950	36.0	25.9	15.50	13.00	35.2	22.8	8.75	7.80	3.52	2.52
YHE36B22S	TM8V100C16MP12C	21.0	CF/CM/CU48C	1050	36.0	27.2	15.50	13.00	35.2	22.6	8.75	7.90	3.64	2.54
YHE36B22S	TM8V100C16MP12C	21.0	CF/CM/CU48D	1050	36.0	27.2	15.50	13.00	35.0	22.6	8.75	7.50	3.64	2.54
YHE36B22S	TM8V100C20MP11C	21.0	CF/CM/CU48C	1150	36.0	27.2	15.75	13.00	35.0	22.6	9.00	-	3.70	2.58
YHE36B22S	TM8V100C20MP11C	21.0	CF/CM/CU48D	1150	36.0	27.2	15.75	13.00	35.0	22.6	9.00	-	3.70	2.58
YHE36B22S	TM8V100C20MP12C	21.0	CF/CM/CU48C	1150	36.0	27.2	15.75	13.00	35.0	22.6	9.00	-	3.70	2.58
YHE36B22S	TM8V100C20MP12C	21.0	CF/CM/CU48D	1150	36.0	27.2	15.75	13.00	35.0	22.6	9.00	-	3.70	2.58
YHE36B22S	TM8V120C20MP11C	21.0	CF/CM/CU48C	1150	36.0	27.2	15.75	13.00	35.0	22.6	9.00	-	3.70	2.58
YHE36B22S	TM8V120C20MP11C	21.0	CF/CM/CU48D	1150	36.0	27.2	15.75	13.00	35.0	22.6	9.00	-	3.70	2.58
YHE36B22S	TM8V120C20MP12C	21.0	CF/CM/CU48C	1150	36.0	27.2	15.75	13.00	35.0	22.6	9.00	-	3.70	2.58
YHE36B22S	TM8V120C20MP12C	21.0	CF/CM/CU48D	1150	36.0	27.2	15.75	13.00	35.0	22.6	9.00	-	3.70	2.58
YHE36B22S	TM8X080B12MP11	17.5	CF/CM/CU48C	1000	36.0	26.6	15.25	13.00	35.0	22.8	8.75	7.55	3.58	2.54
YHE36B22S	TM8X080C16MP11	21.0	CF/CM/CU48C	1150	36.0	28.5	15.50	13.00	35.0	22.8	8.75	7.50	3.66	2.56
YHE36B22S	TM8X080C16MP11	21.0	CF/CM/CU48D	975	36.0	25.4	15.75	13.00	35.0	22.6	8.75	-	3.58	2.56
YHE36B22S	TM8X100C16MP11	21.0	CF/CM/CU48C	1150	36.0	28.5	15.50	13.00	35.0	22.8	8.75	7.50	3.66	2.56
YHE36B22S	TM8X100C16MP11	21.0	CF/CM/CU48D	1150	36.0	28.5	15.50	13.00	35.0	22.8	9.00	7.70	3.68	2.56
YHE36B22S	TM8X100C20MP11	21.0	CF/CM/CU48C	1000	36.0	25.6	15.75	13.00	35.0	22.6	8.75	-	3.62	2.56
YHE36B22S	TM8X100C20MP11	21.0	CF/CM/CU48D	1000	36.0	25.6	15.75	13.00	35.0	22.6	8.75	-	3.62	2.56
YHE36B22S	TM8X120C20MP11	21.0	CF/CM/CU48C	1000	36.0	25.6	15.75	13.00	35.0	22.6	8.75	-	3.62	2.56
YHE36B22S	TM8X120C20MP11	21.0	CF/CM/CU48D	1000	36.0	25.6	15.75	13.00	35.0	22.6	8.75	-	3.62	2.56
YHE36B22S	TM8Y080B12MP11	17.5	CF/CM/CU48C	1000	36.0	26.6	15.25	13.00	35.0	22.8	8.75	7.55	3.58	2.54
YHE36B22S	TM8Y080C16MP11	21.0	CF/CM/CU48C	950	36.0	25.9	15.50	13.00	35.2	22.8	8.75	7.80	3.52	2.52
YHE36B22S	TM8Y080C16MP11	21.0	CF/CM/CU48D	975	36.0	25.4	15.75	13.00	35.0	22.6	8.75	-	3.58	2.56
YHE36B22S	TM8Y100C16MP11	21.0	CF/CM/CU48C	1150	36.0	28.5	15.50	13.00	35.0	22.8	8.75	7.50	3.66	2.56
YHE36B22S	TM8Y100C16MP11	21.0	CF/CM/CU48D	1150	36.0	28.5	15.50	13.00	35.0	22.8	9.00	7.70	3.68	2.56
YHE36B22S	TM8Y100C20MP11	21.0	CF/CM/CU48C	1000	36.0	25.6	15.75	13.00	35.0	22.6	8.75	-	3.62	2.56
YHE36B22S	TM8Y100C20MP11	21.0	CF/CM/CU48D	1000	36.0	25.6	15.75	13.00	35.0	22.6	8.75	-	3.62	2.56
YHE36B22S	TM8Y120C20MP11	21.0	CF/CM/CU48C	1000	36.0	25.6	15.75	13.00	35.0	22.6	8.75	-	3.62	2.56
YHE36B22S	TM8Y120C20MP11	21.0	CF/CM/CU48D	1000	36.0	25.6	15.75	13.00	35.0	22.6	8.75	-	3.62	2.56
YHE36B22S	TM9E060B12MP11	17.5	CF/CM/CU48C	1150	36.0	28.2	14.75	12.25	35.4	23.2	8.75	7.55	3.56	2.50
YHE36B22S	TM9E060B12MP12	17.5	CF/CM/CU48C	1100	36.0	25.4	14.50	12.20	33.6	19.6	8.50	7.10	3.58	2.58
YHE36B22S	TM9E080B12MP11	17.5	CF/CM/CU48C	1000	36.0	26.4	15.25	12.75	35.2	22.8	8.75	7.55	3.56	2.52
YHE36B22S	TM9E080B12MP12	17.5	CF/CM/CU48C	1075	36.0	25.3	14.75	12.50	33.2	19.3	8.50	7.10	3.60	2.60
YHE36B22S	TM9E080C16MP11	21.0	CF/CM/CU48C	1150	36.0	28.5	15.25	12.75	35.2	22.8	8.75	7.50	3.64	2.54
YHE36B22S	TM9E080C16MP11	21.0	CF/CM/CU48D	1150	36.0	28.5	15.25	12.75	35.2	22.8	8.75	7.50	3.64	2.54

SYSTEM CAPACITY - With High Efficiency Motor Furnaces¹

UNIT MODEL	FURNACE		COIL MODEL ²	COOLING					HEATING					
	MODEL	WIDTH		RATED CFM	NET MBH		SEER	EER	NET MBH		HSPF Region IV	HSPF Region V	COP	
					TOTAL	SENS.			47°F OD	17°F OD			47°F OD	17°F OD
YHE36B22S	TM9E080C16MP12	21.0	CF/CM/CU48C	1100	36.0	25.6	15.00	12.50	33.2	19.3	9.00	7.55	3.66	2.64
YHE36B22S	TM9E080C16MP12	21.0	CF/CM/CU48D	1100	36.0	25.6	15.00	12.50	33.2	19.3	9.00	7.55	3.66	2.64
YHE36B22S	TM9E080C20MP12	21.0	CF/CM/CU48C	1225	36.0	26.8	15.25	13.00	34.0	19.8	9.00	7.50	3.78	2.70
YHE36B22S	TM9E080C20MP12	21.0	CF/CM/CU48D	1250	36.0	27.1	15.25	13.00	34.0	19.9	9.00	7.50	3.80	2.72
YHE36B22S	TM9E100C16MP11	21.0	CF/CM/CU48C	1000	36.0	26.5	15.50	13.00	35.0	22.6	8.75	7.55	3.60	2.54
YHE36B22S	TM9E100C16MP11	21.0	CF/CM/CU48D	1000	36.0	26.5	15.50	13.00	35.0	22.6	8.75	7.55	3.60	2.54
YHE36B22S	TM9E100C16MP12	21.0	CF/CM/CU48C	1075	36.0	25.5	15.25	13.00	33.0	19.1	9.00	7.60	3.64	2.64
YHE36B22S	TM9E100C16MP12	21.0	CF/CM/CU48D	1075	36.0	25.5	15.25	13.00	33.0	19.1	9.00	7.60	3.66	2.64
YHE36B22S	TM9E100C20MP11	21.0	CF/CM/CU48C	1175	36.0	28.9	15.50	13.00	35.2	22.8	8.75	7.50	3.68	2.56
YHE36B22S	TM9E100C20MP11	21.0	CF/CM/CU48D	1200	36.0	29.1	15.50	13.00	35.2	22.8	9.00	7.70	3.70	2.56
YHE36B22S	TM9E100C20MP12	21.0	CF/CM/CU48C	1225	36.0	26.8	15.25	13.00	34.0	19.8	9.00	7.50	3.78	2.70
YHE36B22S	TM9E100C20MP12	21.0	CF/CM/CU48D	1225	36.0	26.8	15.25	13.00	34.0	19.8	9.00	7.50	3.78	2.72
YHE36B22S	TM9E120D20MP11	24.5	CF/CM/CU48D	950	36.0	25.2	15.75	13.00	35.2	22.6	8.75	7.80	3.54	2.52
YHE36B22S	TM9E120D20MP12	24.5	CF/CM/CU48D	1250	36.0	26.9	15.00	13.00	34.2	19.9	9.00	7.50	3.80	2.72
YHE36B22S	TM9V060B12MP11C	17.5	CF/CM/CU48C	1000	36.0	26.4	14.75	12.50	35.2	23.0	8.50	7.35	3.52	2.50
YHE36B22S	TM9V060B12MP12C	17.5	CF/CM/CU48C	1000	36.0	26.4	14.75	12.50	35.2	23.0	8.50	7.35	3.52	2.50
YHE36B22S	TM9V080B12MP11C	17.5	CF/CM/CU48C	1050	36.0	27.2	15.25	12.75	35.2	22.8	8.75	7.55	3.60	2.52
YHE36B22S	TM9V080B12MP12C	17.5	CF/CM/CU48C	1050	36.0	27.2	15.25	12.75	35.2	22.8	8.75	7.55	3.60	2.52
YHE36B22S	TM9V080C16MP11C	21.0	CF/CM/CU48C	1025	36.0	26.8	15.25	13.00	35.0	22.8	8.75	7.85	3.58	2.54
YHE36B22S	TM9V080C16MP11C	21.0	CF/CM/CU48D	950	36.0	25.9	15.50	13.00	35.2	22.8	8.50	7.80	3.52	2.52
YHE36B22S	TM9V080C16MP12C	21.0	CF/CM/CU48C	1025	36.0	26.8	15.25	13.00	35.0	22.8	8.75	7.85	3.58	2.54
YHE36B22S	TM9V080C16MP12C	21.0	CF/CM/CU48D	950	36.0	25.9	15.50	13.00	35.2	22.8	8.50	7.80	3.52	2.52
YHE36B22S	TM9V100C16MP11C	21.0	CF/CM/CU48C	1050	36.0	27.2	15.50	13.00	35.0	22.6	8.75	7.90	3.64	2.54
YHE36B22S	TM9V100C16MP11C	21.0	CF/CM/CU48D	975	36.0	26.1	15.50	13.00	35.0	22.6	8.75	7.90	3.58	2.56
YHE36B22S	TM9V100C16MP12C	21.0	CF/CM/CU48C	1050	36.0	27.2	15.50	13.00	35.0	22.6	8.75	7.90	3.64	2.54
YHE36B22S	TM9V100C16MP12C	21.0	CF/CM/CU48D	1050	36.0	27.2	15.75	13.00	35.0	22.6	8.75	7.50	3.64	2.56
YHE36B22S	TM9V100C20MP11C	21.0	CF/CM/CU48C	1100	36.0	27.8	15.50	13.00	35.2	22.8	8.75	7.95	3.66	2.56
YHE36B22S	TM9V100C20MP11C	21.0	CF/CM/CU48D	1100	36.0	27.8	15.50	13.00	35.2	22.6	8.75	7.95	3.66	2.56
YHE36B22S	TM9V100C20MP12C	21.0	CF/CM/CU48C	1100	36.0	27.8	15.50	13.00	35.2	22.8	8.75	7.95	3.66	2.56
YHE36B22S	TM9V100C20MP12C	21.0	CF/CM/CU48D	1100	36.0	27.8	15.50	13.00	35.2	22.6	8.75	7.95	3.66	2.56
YHE36B22S	TM9V120D20MP11C	24.5	CF/CM/CU48D	1050	36.0	26.2	15.75	13.00	35.0	22.6	8.75	-	3.66	2.56
YHE36B22S	TM9V120D20MP12C	24.5	CF/CM/CU48D	1050	36.0	26.2	15.75	13.00	35.0	22.6	8.75	-	3.66	2.56
YHE36B22S	TM9Y060B12MP11	17.5	CF/CM/CU48C	1150	36.0	28.2	14.75	12.25	35.4	23.2	8.75	7.55	3.56	2.50
YHE36B22S	TM9Y080B12MP11	17.5	CF/CM/CU48C	1000	36.0	26.4	15.25	12.75	35.2	22.8	8.75	7.55	3.56	2.52
YHE36B22S	TM9Y080C16MP11	21.0	CF/CM/CU48C	1150	36.0	28.5	15.25	12.75	35.2	22.8	8.75	7.50	3.64	2.54
YHE36B22S	TM9Y080C16MP11	21.0	CF/CM/CU48D	1150	36.0	28.5	15.25	12.75	35.2	22.8	8.75	7.50	3.64	2.54
YHE36B22S	TM9Y100C16MP11	21.0	CF/CM/CU48C	1000	36.0	26.5	15.50	13.00	35.0	22.6	8.75	7.55	3.60	2.54

SYSTEM CAPACITY - With High Efficiency Motor Furnaces¹

UNIT MODEL	FURNACE		COIL MODEL ²	COOLING					HEATING					
	MODEL	WIDTH		RATED CFM	NET MBH		SEER	EER	NET MBH		HSPF Region IV	HSPF Region V	COP	
					TOTAL	SENS.			47°F OD	17°F OD			47°F OD	17°F OD
YHE36B22S	TM9Y100C16MP11	21.0	CF/CM/CU48D	1000	36.0	26.5	15.50	13.00	35.0	22.6	8.75	7.55	3.60	2.54
YHE36B22S	TM9Y100C20MP11	21.0	CF/CM/CU48C	1175	36.0	28.9	15.50	13.00	35.2	22.8	8.75	7.50	3.68	2.56
YHE36B22S	TM9Y100C20MP11	21.0	CF/CM/CU48D	1200	36.0	29.1	15.50	13.00	35.2	22.8	9.00	7.70	3.70	2.56
YHE36B22S	TM9Y120D20MP11	24.5	CF/CM/CU48D	1250	36.0	30.1	15.50	13.00	35.0	22.8	9.00	7.70	3.74	2.58
YHE36B22S	TMLE080B12MP11	17.5	CF/CM/CU48C	1050	36.0	25.1	15.00	12.50	33.0	19.1	8.50	7.15	3.60	2.60
YHE36B22S	TMLE080C16MP11	21.0	CF/CM/CU48C	1100	36.0	25.6	15.25	13.00	33.2	19.2	9.00	7.55	3.68	2.66
YHE36B22S	TMLE080C16MP11	21.0	CF/CM/CU48D	1300	36.0	27.4	15.00	12.50	34.4	20.2	9.00	7.50	3.80	2.70
YHE36B22S	TMLE080C20MP11	21.0	CF/CM/CU48C	1250	36.0	26.9	15.25	13.00	34.0	19.9	9.00	7.50	3.80	2.72
YHE36B22S	TMLE080C20MP11	21.0	CF/CM/CU48D	1275	36.0	27.3	15.25	13.00	34.2	20.0	9.00	7.50	3.82	2.74
YHE36B22S	TMLE100B12MP11	17.5	CF/CM/CU48C	1100	36.0	25.6	15.00	12.50	33.4	19.4	9.00	7.60	3.64	2.62
YHE36B22S	TMLE100C16MP11	21.0	CF/CM/CU48C	1125	36.0	26.0	15.25	13.00	33.4	19.3	9.00	7.55	3.70	2.66
YHE36B22S	TMLE100C16MP11	21.0	CF/CM/CU48D	1125	36.0	26.0	15.25	13.00	33.4	19.3	9.00	7.60	3.70	2.66
YHE36B22S	TMLE100C20MP11	21.0	CF/CM/CU48C	1250	36.0	26.9	15.25	13.00	34.0	19.9	9.00	7.50	3.80	2.72
YHE36B22S	TMLE100C20MP11	21.0	CF/CM/CU48D	1275	36.0	27.3	15.25	13.00	34.2	20.0	9.00	7.50	3.82	2.74
YHE36B22S	TMLE120C16MP11	21.0	CF/CM/CU48C	1125	36.0	26.0	15.25	13.00	33.4	19.3	9.00	7.60	3.70	2.66
YHE36B22S	TMLE120C16MP11	21.0	CF/CM/CU48D	1125	36.0	26.0	15.25	13.00	33.4	19.3	9.00	7.55	3.70	2.66
YHE36B22S	TMLE120C20MP11	21.0	CF/CM/CU48C	1300	36.0	27.4	15.00	13.00	34.4	20.2	9.00	7.45	3.84	2.74
YHE36B22S	TMLE120C20MP11	21.0	CF/CM/CU48D	1300	36.0	27.4	15.25	13.00	34.4	20.2	9.00	7.45	3.84	2.74
YHE36B22S	TMLE130D20MP11	24.5	CF/CM/CU48D	1300	36.0	27.4	15.25	13.00	34.4	20.2	9.00	7.50	3.84	2.74
YHE36B22S	TMLV080B12MP11C	17.5	CF/CM/CU48C	1000	36.0	26.4	14.75	12.50	35.2	23.0	8.50	7.35	3.52	2.50
YHE36B22S	TMLV080B12MP12C	17.5	CF/CM/CU48C	1000	36.0	26.4	14.75	12.50	35.2	23.0	8.50	7.35	3.52	2.50
YHE36B22S	TMLV080C16MP11C	21.0	CF/CM/CU48C	1050	36.0	27.2	15.50	13.00	35.2	22.6	8.75	7.90	3.64	2.54
YHE36B22S	TMLV080C16MP11C	21.0	CF/CM/CU48D	950	36.0	25.9	15.50	13.00	35.2	22.8	8.75	7.80	3.52	2.52
YHE36B22S	TMLV080C16MP12C	21.0	CF/CM/CU48C	1050	36.0	27.2	15.50	13.00	35.2	22.6	8.75	7.90	3.64	2.54
YHE36B22S	TMLV080C16MP12C	21.0	CF/CM/CU48D	950	36.0	25.9	15.50	13.00	35.2	22.8	8.75	7.80	3.52	2.52
YHE36B22S	TMLV100C16MP11C	21.0	CF/CM/CU48C	1050	36.0	27.2	15.50	13.00	35.2	22.6	8.75	7.90	3.64	2.54
YHE36B22S	TMLV100C16MP11C	21.0	CF/CM/CU48D	950	36.0	25.9	15.50	13.00	35.2	22.8	8.75	7.80	3.52	2.52
YHE36B22S	TMLV100C16MP12C	21.0	CF/CM/CU48C	1050	36.0	27.2	15.50	13.00	35.2	22.6	8.75	7.90	3.64	2.54
YHE36B22S	TMLV100C16MP12C	21.0	CF/CM/CU48D	950	36.0	25.9	15.50	13.00	35.2	22.8	8.75	7.80	3.52	2.52
YHE36B22S	TMLV100C20MP11C	21.0	CF/CM/CU48C	1150	36.0	27.2	15.75	13.00	35.0	22.6	9.00	-	3.70	2.58
YHE36B22S	TMLV100C20MP11C	21.0	CF/CM/CU48D	1150	36.0	27.2	15.75	13.00	35.0	22.6	9.00	-	3.70	2.58
YHE36B22S	TMLV100C20MP12C	21.0	CF/CM/CU48C	1150	36.0	27.2	15.75	13.00	35.0	22.6	9.00	-	3.70	2.58
YHE36B22S	TMLV100C20MP12C	21.0	CF/CM/CU48D	1150	36.0	27.2	15.75	13.00	35.0	22.6	9.00	-	3.70	2.58
YHE36B22S	TMLV120C20MP11C	21.0	CF/CM/CU48C	1150	36.0	27.2	15.75	13.00	35.0	22.6	9.00	-	3.70	2.58
YHE36B22S	TMLV120C20MP11C	21.0	CF/CM/CU48D	1150	36.0	27.2	15.75	13.00	35.0	22.6	9.00	-	3.70	2.58
YHE36B22S	TMLV120C20MP12C	21.0	CF/CM/CU48C	1150	36.0	27.2	15.75	13.00	35.0	22.6	9.00	-	3.70	2.58
YHE36B22S	TMLV120C20MP12C	21.0	CF/CM/CU48D	1150	36.0	27.2	15.75	13.00	35.0	22.6	9.00	-	3.70	2.58

SYSTEM CAPACITY - With High Efficiency Motor Furnaces¹

UNIT MODEL	FURNACE		COIL MODEL ²	COOLING					HEATING					
	MODEL	WIDTH		RATED CFM	NET MBH		SEER	EER	NET MBH		HSPF Region IV	HSPF Region V	COP	
					TOTAL	SENS.			47°F OD	17°F OD			47°F OD	17°F OD
YHE36B22S	TMLX080B12MP11	17.5	CF/CM/CU48C	1000	36.0	26.6	15.25	13.00	35.0	22.8	8.75	7.55	3.58	2.54
YHE36B22S	TMLX080C16MP11	21.0	CF/CM/CU48C	1150	36.0	28.5	15.50	13.00	35.0	22.8	8.75	7.50	3.66	2.56
YHE36B22S	TMLX080C16MP11	21.0	CF/CM/CU48D	1150	36.0	28.5	15.50	13.00	35.0	22.8	9.00	7.70	3.68	2.56
YHE36B22S	TMLX100C16MP11	21.0	CF/CM/CU48C	950	36.0	25.9	15.50	13.00	35.2	22.8	8.75	7.80	3.52	2.52
YHE36B22S	TMLX100C16MP11	21.0	CF/CM/CU48D	975	36.0	25.4	15.75	13.00	35.0	22.6	8.75	-	3.58	2.56
YHE36B22S	TMLX100C20MP11	21.0	CF/CM/CU48C	1000	36.0	25.6	15.75	13.00	35.0	22.6	8.75	-	3.62	2.56
YHE36B22S	TMLX100C20MP11	21.0	CF/CM/CU48D	1000	36.0	25.6	15.75	13.00	35.0	22.6	8.75	-	3.62	2.56
YHE36B22S	TMLX120C20MP11	21.0	CF/CM/CU48C	1000	36.0	25.6	15.75	13.00	35.0	22.6	8.75	-	3.62	2.56
YHE36B22S	TMLX120C20MP11	21.0	CF/CM/CU48D	1000	36.0	25.6	15.75	13.00	35.0	22.6	8.75	-	3.62	2.56
YHE36B22S	TP9C060B12MP13C	17.5	CF/CM/CU48C	1000	36.0	26.4	14.75	12.50	35.2	23.0	8.50	7.35	3.52	2.50
YHE36B22S	TP9C080B12MP12C	17.5	CF/CM/CU48C	1050	36.0	27.2	15.25	12.75	35.2	22.8	8.75	7.55	3.60	2.52
YHE36B22S	TP9C080B12MP13C	17.5	CF/CM/CU48C	1050	36.0	27.2	15.25	12.75	35.2	22.8	8.75	7.55	3.60	2.52
YHE36B22S	TP9C080C16MP13C	21.0	CF/CM/CU48C	1025	36.0	26.8	15.25	13.00	35.0	22.8	8.75	7.85	3.58	2.54
YHE36B22S	TP9C080C16MP13C	21.0	CF/CM/CU48D	950	36.0	25.9	15.50	13.00	35.2	22.8	8.50	7.80	3.52	2.52
YHE36B22S	TP9C100C16MP12C	21.0	CF/CM/CU48C	1050	36.0	27.2	15.50	13.00	35.0	22.6	8.75	7.90	3.64	2.54
YHE36B22S	TP9C100C16MP12C	21.0	CF/CM/CU48D	975	36.0	26.1	15.50	13.00	35.0	22.6	8.75	7.90	3.58	2.56
YHE36B22S	TP9C100C16MP13C	21.0	CF/CM/CU48C	1050	36.0	27.2	15.50	13.00	35.0	22.6	8.75	7.90	3.64	2.54
YHE36B22S	TP9C100C16MP13C	21.0	CF/CM/CU48D	975	36.0	26.1	15.50	13.00	35.0	22.6	8.75	7.90	3.58	2.56
YHE36B22S	TP9C100C20MP12C	21.0	CF/CM/CU48C	1100	36.0	27.8	15.50	13.00	35.2	22.8	8.75	7.95	3.66	2.56
YHE36B22S	TP9C100C20MP12C	21.0	CF/CM/CU48D	1100	36.0	27.8	15.50	13.00	35.2	22.6	8.75	7.95	3.66	2.56
YHE36B22S	TP9C100C20MP13C	21.0	CF/CM/CU48C	1100	36.0	27.8	15.50	13.00	35.2	22.8	8.75	7.95	3.66	2.56
YHE36B22S	TP9C100C20MP13C	21.0	CF/CM/CU48D	1100	36.0	27.8	15.50	13.00	35.2	22.6	8.75	7.95	3.66	2.56
YHE36B22S	TP9C120D20MP12C	24.5	CF/CM/CU48D	1050	36.0	26.2	15.75	13.00	35.0	22.6	8.75	-	3.66	2.56
YHE36B22S	TP9C120D20MP13C	24.5	CF/CM/CU48D	1050	36.0	26.2	15.75	13.00	35.0	22.6	8.75	-	3.66	2.56
YHE36B22S	TPLC080B12MP12C	17.5	CF/CM/CU48C	1000	36.0	26.4	14.75	12.50	35.2	23.0	8.50	7.35	3.52	2.50
YHE36B22S	TPLC080B12MP13C	17.5	CF/CM/CU48C	1000	36.0	26.4	14.75	12.50	35.2	23.0	8.50	7.35	3.52	2.50
YHE36B22S	TPLC080C16MP12C	21.0	CF/CM/CU48C	1050	36.0	27.2	15.50	13.00	35.2	22.6	8.75	7.90	3.64	2.54
YHE36B22S	TPLC080C16MP12C	21.0	CF/CM/CU48D	950	36.0	25.9	15.50	13.00	35.2	22.8	8.75	7.80	3.52	2.52
YHE36B22S	TPLC080C16MP13C	21.0	CF/CM/CU48C	1050	36.0	27.2	15.50	13.00	35.2	22.6	8.75	7.90	3.64	2.54
YHE36B22S	TPLC080C16MP13C	21.0	CF/CM/CU48D	950	36.0	25.9	15.50	13.00	35.2	22.8	8.75	7.80	3.52	2.52
YHE36B22S	TPLC100C16MP12C	21.0	CF/CM/CU48C	1050	36.0	27.2	15.50	13.00	35.2	22.6	8.75	7.90	3.64	2.54
YHE36B22S	TPLC100C16MP12C	21.0	CF/CM/CU48D	950	36.0	25.9	15.50	13.00	35.2	22.8	8.75	7.80	3.52	2.52
YHE36B22S	TPLC100C16MP13C	21.0	CF/CM/CU48C	1050	36.0	27.2	15.50	13.00	35.2	22.6	8.75	7.90	3.64	2.54
YHE36B22S	TPLC100C16MP13C	21.0	CF/CM/CU48D	950	36.0	25.9	15.50	13.00	35.2	22.8	8.75	7.80	3.52	2.52
YHE36B22S	TPLC100C20MP12C	21.0	CF/CM/CU48C	1150	36.0	27.2	15.75	13.00	35.0	22.6	9.00	-	3.70	2.58
YHE36B22S	TPLC100C20MP12C	21.0	CF/CM/CU48D	1150	36.0	27.2	15.75	13.00	35.0	22.6	9.00	-	3.70	2.58
YHE36B22S	TPLC100C20MP13C	21.0	CF/CM/CU48C	1150	36.0	27.2	15.75	13.00	35.0	22.6	9.00	-	3.70	2.58

SYSTEM CAPACITY - With High Efficiency Motor Furnaces¹

UNIT MODEL	FURNACE		COIL MODEL ²	COOLING					HEATING					
	MODEL	WIDTH		RATED CFM	NET MBH		SEER	EER	NET MBH		HSPF Region IV	HSPF Region V	COP	
					TOTAL	SENS.			47°F OD	17°F OD			47°F OD	17°F OD
YHE36B22S	TPLC100C20MP13C	21.0	CF/CM/CU48D	1150	36.0	27.2	15.75	13.00	35.0	22.6	9.00	-	3.70	2.58
YHE36B22S	TPLC120C20MP12C	21.0	CF/CM/CU48C	1150	36.0	27.2	15.75	13.00	35.0	22.6	9.00	-	3.70	2.58
YHE36B22S	TPLC120C20MP12C	21.0	CF/CM/CU48D	1150	36.0	27.2	15.75	13.00	35.0	22.6	9.00	-	3.70	2.58
YHE36B22S	TPLC120C20MP13C	21.0	CF/CM/CU48C	1150	36.0	27.2	15.75	13.00	35.0	22.6	9.00	-	3.70	2.58
YHE36B22S	TPLC120C20MP13C	21.0	CF/CM/CU48D	1150	36.0	27.2	15.75	13.00	35.0	22.6	9.00	-	3.70	2.58
YHE36B22S	YP9C060B12MP13C	17.5	CF/CM/CU48C	1000	36.0	26.4	14.75	12.50	35.2	23.0	8.50	7.35	3.52	2.50
YHE36B22S	YP9C080B12MP12C	17.5	CF/CM/CU48C	1050	36.0	27.2	15.25	12.75	35.2	22.8	8.75	7.55	3.60	2.52
YHE36B22S	YP9C080B12MP13C	17.5	CF/CM/CU48C	1050	36.0	27.2	15.25	12.75	35.2	22.8	8.75	7.55	3.60	2.52
YHE36B22S	YP9C080C16MP13C	21.0	CF/CM/CU48C	1025	36.0	26.8	15.25	13.00	35.0	22.8	8.75	7.85	3.58	2.54
YHE36B22S	YP9C080C16MP13C	21.0	CF/CM/CU48D	950	36.0	25.9	15.50	13.00	35.2	22.8	8.50	7.80	3.52	2.52
YHE36B22S	YP9C100C16MP12C	21.0	CF/CM/CU48C	1050	36.0	27.2	15.50	13.00	35.0	22.6	8.75	7.90	3.64	2.54
YHE36B22S	YP9C100C16MP12C	21.0	CF/CM/CU48D	975	36.0	26.1	15.50	13.00	35.0	22.6	8.75	7.90	3.58	2.56
YHE36B22S	YP9C100C16MP13C	21.0	CF/CM/CU48C	1050	36.0	27.2	15.50	13.00	35.0	22.6	8.75	7.90	3.64	2.54
YHE36B22S	YP9C100C16MP13C	21.0	CF/CM/CU48D	1050	36.0	27.2	15.75	13.00	35.0	22.6	8.75	7.50	3.64	2.56
YHE36B22S	YP9C100C20MP12C	21.0	CF/CM/CU48C	1100	36.0	27.8	15.50	13.00	35.2	22.8	8.75	7.95	3.66	2.56
YHE36B22S	YP9C100C20MP12C	21.0	CF/CM/CU48D	1100	36.0	27.8	15.50	13.00	35.2	22.6	8.75	7.95	3.66	2.56
YHE36B22S	YP9C100C20MP13C	21.0	CF/CM/CU48C	1100	36.0	27.8	15.50	13.00	35.2	22.8	8.75	7.95	3.66	2.56
YHE36B22S	YP9C100C20MP13C	21.0	CF/CM/CU48D	1100	36.0	27.8	15.50	13.00	35.2	22.6	8.75	7.95	3.66	2.56
YHE36B22S	YP9C120D20MP12C	24.5	CF/CM/CU48D	1050	36.0	26.2	15.75	13.00	35.0	22.6	8.75	-	3.66	2.56
YHE36B22S	YP9C120D20MP13C	24.5	CF/CM/CU48D	1050	36.0	26.2	15.75	13.00	35.0	22.6	8.75	-	3.66	2.56
YHE36B22S	YPLC080B12MP12C	17.5	CF/CM/CU48C	1000	36.0	26.4	14.75	12.50	35.2	23.0	8.50	7.35	3.52	2.50
YHE36B22S	YPLC080B12MP13C	17.5	CF/CM/CU48C	1000	36.0	26.4	14.75	12.50	35.2	23.0	8.50	7.35	3.52	2.50
YHE36B22S	YPLC080C16MP12C	21.0	CF/CM/CU48C	1050	36.0	27.2	15.50	13.00	35.2	22.6	8.75	7.90	3.64	2.54
YHE36B22S	YPLC080C16MP12C	21.0	CF/CM/CU48D	950	36.0	25.9	15.50	13.00	35.2	22.8	8.75	7.80	3.52	2.52
YHE36B22S	YPLC080C16MP13C	21.0	CF/CM/CU48C	1050	36.0	27.2	15.50	13.00	35.2	22.6	8.75	7.90	3.64	2.54
YHE36B22S	YPLC080C16MP13C	21.0	CF/CM/CU48D	950	36.0	25.9	15.50	13.00	35.2	22.8	8.75	7.80	3.52	2.52
YHE36B22S	YPLC100C16MP12C	21.0	CF/CM/CU48C	1050	36.0	27.2	15.50	13.00	35.2	22.6	8.75	7.90	3.64	2.54
YHE36B22S	YPLC100C16MP12C	21.0	CF/CM/CU48D	950	36.0	25.9	15.50	13.00	35.2	22.8	8.75	7.80	3.52	2.52
YHE36B22S	YPLC100C16MP13C	21.0	CF/CM/CU48C	1050	36.0	27.2	15.50	13.00	35.2	22.6	8.75	7.90	3.64	2.54
YHE36B22S	YPLC100C16MP13C	21.0	CF/CM/CU48D	950	36.0	25.9	15.50	13.00	35.2	22.8	8.75	7.80	3.52	2.52
YHE36B22S	YPLC100C20MP12C	21.0	CF/CM/CU48C	1150	36.0	27.2	15.75	13.00	35.0	22.6	9.00	-	3.70	2.58
YHE36B22S	YPLC100C20MP12C	21.0	CF/CM/CU48D	1150	36.0	27.2	15.75	13.00	35.0	22.6	9.00	-	3.70	2.58
YHE36B22S	YPLC100C20MP13C	21.0	CF/CM/CU48C	1150	36.0	27.2	15.75	13.00	35.0	22.6	9.00	-	3.70	2.58
YHE36B22S	YPLC100C20MP13C	21.0	CF/CM/CU48D	1150	36.0	27.2	15.75	13.00	35.0	22.6	9.00	-	3.70	2.58
YHE36B22S	YPLC120C20MP12C	21.0	CF/CM/CU48C	1150	36.0	27.2	15.75	13.00	35.0	22.6	9.00	-	3.70	2.58
YHE36B22S	YPLC120C20MP12C	21.0	CF/CM/CU48D	1150	36.0	27.2	15.75	13.00	35.0	22.6	9.00	-	3.70	2.58
YHE36B22S	YPLC120C20MP13C	21.0	CF/CM/CU48C	1150	36.0	27.2	15.75	13.00	35.0	22.6	9.00	-	3.70	2.58

SYSTEM CAPACITY - With High Efficiency Motor Furnaces¹

UNIT MODEL	FURNACE		COIL MODEL ²	COOLING					HEATING					
	MODEL	WIDTH		RATED CFM	NET MBH		SEER	EER	NET MBH		HSPF Region IV	HSPF Region V	COP	
					TOTAL	SENS.			47°F OD	17°F OD			47°F OD	17°F OD
YHE36B22S	YPLC120C20MP13C	21.0	CF/CM/CU48D	1150	36.0	27.2	15.75	13.00	35.0	22.6	9.00	-	3.70	2.58
YHE42B23S	TL8E080C16UH11	21.0	CF/CM/CU48C	1275	41.0	28.8	14.05	11.50	41.0	25.6	9.00	7.95	3.60	2.80
YHE42B23S	TL8E080C16UH11	21.0	CF/CM/CU48D	1300	41.0	29.0	14.10	12.00	41.0	25.6	9.00	7.90	3.62	2.82
YHE42B23S	TL8E080C16UH11	21.0	CF48CBCA1	1275	41.0	28.8	14.05	11.50	41.0	25.6	9.00	7.95	3.60	2.80
YHE42B23S	TL8E080C16UH11	21.0	CM48CBCA1	1275	41.0	28.8	14.05	11.50	41.0	25.6	9.00	7.95	3.60	2.80
YHE42B23S	TL8E080C16UH11	21.0	CM48DBC A1	1300	41.0	29.0	14.10	12.00	41.0	25.6	9.00	7.90	3.62	2.82
YHE42B23S	TL8E100C20UH11	21.0	CF/CM/CU48C	1250	41.0	28.6	14.25	12.00	41.0	25.4	9.00	7.90	3.64	2.84
YHE42B23S	TL8E100C20UH11	21.0	CF/CM/CU48D	1275	41.5	29.3	14.25	12.20	41.0	25.4	9.00	7.90	3.66	2.84
YHE42B23S	TL8E100C20UH11	21.0	CF48CBCA1	1250	41.0	28.6	14.25	12.00	41.0	25.4	9.00	7.90	3.64	2.84
YHE42B23S	TL8E100C20UH11	21.0	CM48CBCA1	1250	41.0	28.6	14.25	12.00	41.0	25.4	9.00	7.90	3.64	2.84
YHE42B23S	TL8E100C20UH11	21.0	CM48DBC A1	1275	41.5	29.3	14.25	12.20	41.0	25.4	9.00	7.90	3.66	2.84
YHE42B23S	TL9E080C16UH11	21.0	CF/CM/CU48D	1275	41.0	28.8	14.00	11.50	41.0	25.6	9.00	7.95	3.60	2.80
YHE42B23S	TL9E080C16UH11	21.0	CM48DBC A1	1275	41.0	28.8	14.00	11.50	41.0	25.6	9.00	7.95	3.60	2.80
YHE42B23S	TL9E100C20UH11	21.0	CF/CM/CU48C	1225	41.0	28.5	14.25	12.00	41.0	25.2	9.00	7.90	3.64	2.82
YHE42B23S	TL9E100C20UH11	21.0	CF/CM/CU48D	1250	41.0	28.6	14.25	12.20	41.0	25.2	9.00	7.90	3.66	2.84
YHE42B23S	TL9E100C20UH11	21.0	CF48CBCA1	1225	41.0	28.5	14.25	12.00	41.0	25.2	9.00	7.90	3.64	2.82
YHE42B23S	TL9E100C20UH11	21.0	CM48CBCA1	1225	41.0	28.5	14.25	12.00	41.0	25.2	9.00	7.90	3.64	2.82
YHE42B23S	TL9E100C20UH11	21.0	CM48DBC A1	1250	41.0	28.6	14.25	12.20	41.0	25.2	9.00	7.90	3.66	2.84
YHE42B23S	TM8E080C16MP11	21.0	CF/CM/CU48C	1275	41.0	28.8	14.10	12.00	41.0	25.6	9.00	7.95	3.62	2.82
YHE42B23S	TM8E080C16MP11	21.0	CF/CM/CU48D	1300	41.0	29.0	14.10	12.00	41.0	25.6	9.00	7.95	3.62	2.82
YHE42B23S	TM8E080C16MP11	21.0	CF48CBCA1	1275	41.0	28.8	14.10	12.00	41.0	25.6	9.00	7.95	3.62	2.82
YHE42B23S	TM8E080C16MP11	21.0	CM48CBCA1	1275	41.0	28.8	14.10	12.00	41.0	25.6	9.00	7.95	3.62	2.82
YHE42B23S	TM8E080C16MP11	21.0	CM48DBC A1	1300	41.0	29.0	14.10	12.00	41.0	25.6	9.00	7.95	3.62	2.82
YHE42B23S	TM8E080C20MP11	21.0	CF/CM/CU48C	1250	41.0	28.6	14.25	12.00	41.0	25.4	9.00	7.90	3.64	2.84
YHE42B23S	TM8E080C20MP11	21.0	CF/CM/CU48D	1275	41.5	29.3	14.25	12.20	41.0	25.4	9.00	7.90	3.66	2.84
YHE42B23S	TM8E080C20MP11	21.0	CF48CBCA1	1250	41.0	28.6	14.25	12.00	41.0	25.4	9.00	7.90	3.64	2.84
YHE42B23S	TM8E080C20MP11	21.0	CM48CBCA1	1250	41.0	28.6	14.25	12.00	41.0	25.4	9.00	7.90	3.64	2.84
YHE42B23S	TM8E080C20MP11	21.0	CM48DBC A1	1275	41.5	29.3	14.25	12.20	41.0	25.4	9.00	7.90	3.66	2.84
YHE42B23S	TM8E100C16MP11	21.0	CF/CM/CU48C	1300	41.0	29.0	14.05	11.50	41.0	25.6	9.00	7.95	3.62	2.82
YHE42B23S	TM8E100C16MP11	21.0	CF/CM/CU48D	1325	41.0	29.1	14.10	12.00	41.0	25.6	9.00	7.95	3.62	2.82
YHE42B23S	TM8E100C16MP11	21.0	CF48CBCA1	1300	41.0	29.0	14.05	11.50	41.0	25.6	9.00	7.95	3.62	2.82
YHE42B23S	TM8E100C16MP11	21.0	CM48CBCA1	1300	41.0	29.0	14.05	11.50	41.0	25.6	9.00	7.95	3.62	2.82
YHE42B23S	TM8E100C16MP11	21.0	CM48DBC A1	1325	41.0	29.1	14.10	12.00	41.0	25.6	9.00	7.95	3.62	2.82
YHE42B23S	TM8E100C20MP11	21.0	CF/CM/CU48C	1250	41.0	28.6	14.25	12.00	41.0	25.4	9.00	7.90	3.64	2.84
YHE42B23S	TM8E100C20MP11	21.0	CF/CM/CU48D	1275	41.5	29.3	14.25	12.20	41.0	25.4	9.00	7.90	3.66	2.84
YHE42B23S	TM8E100C20MP11	21.0	CF48CBCA1	1250	41.0	28.6	14.25	12.00	41.0	25.4	9.00	7.90	3.64	2.84
YHE42B23S	TM8E100C20MP11	21.0	CM48CBCA1	1250	41.0	28.6	14.25	12.00	41.0	25.4	9.00	7.90	3.64	2.84

SYSTEM CAPACITY - With High Efficiency Motor Furnaces¹

UNIT MODEL	FURNACE		COIL MODEL ²	COOLING					HEATING					
	MODEL	WIDTH		RATED CFM	NET MBH		SEER	EER	NET MBH		HSPF Region IV	HSPF Region V	COP	
					TOTAL	SENS.			47°F OD	17°F OD			47°F OD	17°F OD
YHE42B23S	TM8E100C20MP11	21.0	CM48DBCA1	1275	41.5	29.3	14.25	12.20	41.0	25.4	9.00	7.90	3.66	2.84
YHE42B23S	TM8E120C16MP11	21.0	CF/CM/CU48C	1325	41.0	29.1	14.10	12.00	41.0	25.6	9.00	7.95	3.62	2.82
YHE42B23S	TM8E120C16MP11	21.0	CF/CM/CU48D	1325	41.0	29.1	14.10	12.00	41.0	25.6	9.00	7.95	3.64	2.84
YHE42B23S	TM8E120C16MP11	21.0	CF48CBCA1	1325	41.0	29.1	14.10	12.00	41.0	25.6	9.00	7.95	3.62	2.82
YHE42B23S	TM8E120C16MP11	21.0	CM48CBCA1	1325	41.0	29.1	14.10	12.00	41.0	25.6	9.00	7.95	3.62	2.82
YHE42B23S	TM8E120C16MP11	21.0	CM48DBCA1	1325	41.0	29.1	14.10	12.00	41.0	25.6	9.00	7.95	3.64	2.84
YHE42B23S	TM8E120C20MP11	21.0	CF/CM/CU48C	1300	41.5	29.5	14.25	12.00	41.0	25.4	9.00	7.90	3.66	2.84
YHE42B23S	TM8E120C20MP11	21.0	CF/CM/CU48D	1300	41.5	29.5	14.25	12.00	41.0	25.4	9.00	7.95	3.66	2.84
YHE42B23S	TM8E120C20MP11	21.0	CF48CBCA1	1300	41.5	29.5	14.25	12.00	41.0	25.4	9.00	7.90	3.66	2.84
YHE42B23S	TM8E120C20MP11	21.0	CM48CBCA1	1300	41.5	29.5	14.25	12.00	41.0	25.4	9.00	7.90	3.66	2.84
YHE42B23S	TM8E120C20MP11	21.0	CM48DBCA1	1300	41.5	29.5	14.25	12.00	41.0	25.4	9.00	7.95	3.66	2.84
YHE42B23S	TM8E130D20MP11	24.5	CF/CM/CU48D	1300	41.5	29.5	14.25	12.00	40.5	25.4	9.00	7.95	3.66	2.86
YHE42B23S	TM8E130D20MP11	24.5	CM48DBCA1	1300	41.5	29.5	14.25	12.00	40.5	25.4	9.00	7.95	3.66	2.86
YHE42B23S	TM8V080C16MP11C	21.0	CF/CM/CU48C	1150	40.0	29.1	14.75	12.20	40.0	25.4	8.20	7.30	3.32	2.60
YHE42B23S	TM8V080C16MP11C	21.0	CF/CM/CU48D	1150	40.0	29.1	15.00	12.20	40.0	25.4	8.20	7.30	3.32	2.62
YHE42B23S	TM8V080C16MP11C	21.0	CF48CBCA1	1150	40.0	29.1	14.75	12.20	40.0	25.4	8.20	7.30	3.32	2.60
YHE42B23S	TM8V080C16MP11C	21.0	CM48CBCA1	1150	40.0	29.1	14.75	12.20	40.0	25.4	8.20	7.30	3.32	2.60
YHE42B23S	TM8V080C16MP11C	21.0	CM48DBCA1	1150	40.0	29.1	15.00	12.20	40.0	25.4	8.20	7.30	3.32	2.62
YHE42B23S	TM8V080C16MP12C	21.0	CF/CM/CU48C	1150	40.0	29.1	14.75	12.20	40.0	25.4	8.20	7.30	3.32	2.60
YHE42B23S	TM8V080C16MP12C	21.0	CF/CM/CU48D	1150	40.0	29.1	15.00	12.20	40.0	25.4	8.20	7.30	3.32	2.62
YHE42B23S	TM8V080C16MP12C	21.0	CF48CBCA1	1150	40.0	29.1	14.75	12.20	40.0	25.4	8.20	7.30	3.32	2.60
YHE42B23S	TM8V080C16MP12C	21.0	CM48CBCA1	1150	40.0	29.1	14.75	12.20	40.0	25.4	8.20	7.30	3.32	2.60
YHE42B23S	TM8V080C16MP12C	21.0	CM48DBCA1	1150	40.0	29.1	15.00	12.20	40.0	25.4	8.20	7.30	3.32	2.62
YHE42B23S	TM8V100C16MP11C	21.0	CF/CM/CU48C	1150	40.0	29.1	14.75	12.20	40.0	25.4	8.20	7.30	3.32	2.60
YHE42B23S	TM8V100C16MP11C	21.0	CF/CM/CU48D	1150	40.0	29.1	15.00	12.20	40.0	25.4	8.20	7.30	3.32	2.62
YHE42B23S	TM8V100C16MP11C	21.0	CF48CBCA1	1150	40.0	29.1	14.75	12.20	40.0	25.4	8.20	7.30	3.32	2.60
YHE42B23S	TM8V100C16MP11C	21.0	CM48CBCA1	1150	40.0	29.1	14.75	12.20	40.0	25.4	8.20	7.30	3.32	2.60
YHE42B23S	TM8V100C16MP11C	21.0	CM48DBCA1	1150	40.0	29.1	15.00	12.20	40.0	25.4	8.20	7.30	3.32	2.62
YHE42B23S	TM8V100C16MP12C	21.0	CF/CM/CU48C	1150	40.0	29.1	14.75	12.20	40.0	25.4	8.20	7.30	3.32	2.60
YHE42B23S	TM8V100C16MP12C	21.0	CF/CM/CU48D	1150	40.0	29.1	15.00	12.20	40.0	25.4	8.20	7.30	3.32	2.62
YHE42B23S	TM8V100C16MP12C	21.0	CF48CBCA1	1150	40.0	29.1	14.75	12.20	40.0	25.4	8.20	7.30	3.32	2.60
YHE42B23S	TM8V100C16MP12C	21.0	CM48CBCA1	1150	40.0	29.1	14.75	12.20	40.0	25.4	8.20	7.30	3.32	2.60
YHE42B23S	TM8V100C16MP12C	21.0	CM48DBCA1	1150	40.0	29.1	15.00	12.20	40.0	25.4	8.20	7.30	3.32	2.62
YHE42B23S	TM8V100C20MP11C	21.0	CF/CM/CU48C	1150	40.0	29.1	15.00	12.25	40.0	25.4	8.20	7.25	3.34	2.62
YHE42B23S	TM8V100C20MP11C	21.0	CF/CM/CU48D	1150	40.5	29.6	15.00	12.25	40.0	25.2	8.20	7.30	3.34	2.64
YHE42B23S	TM8V100C20MP11C	21.0	CF48CBCA1	1150	40.0	29.1	15.00	12.25	40.0	25.4	8.20	7.25	3.34	2.62
YHE42B23S	TM8V100C20MP11C	21.0	CM48CBCA1	1150	40.0	29.1	15.00	12.25	40.0	25.4	8.20	7.25	3.34	2.62

SYSTEM CAPACITY - With High Efficiency Motor Furnaces¹

UNIT MODEL	FURNACE		COIL MODEL ²	COOLING					HEATING					
	MODEL	WIDTH		RATED CFM	NET MBH		SEER	EER	NET MBH		HSPF Region IV	HSPF Region V	COP	
					TOTAL	SENS.			47°F OD	17°F OD			47°F OD	17°F OD
YHE42B23S	TM8V100C20MP11C	21.0	CM48DBCA1	1150	40.5	29.6	15.00	12.25	40.0	25.2	8.20	7.30	3.34	2.64
YHE42B23S	TM8V100C20MP12C	21.0	CF/CM/CU48C	1150	40.0	29.1	15.00	12.25	40.0	25.4	8.20	7.25	3.34	2.62
YHE42B23S	TM8V100C20MP12C	21.0	CF/CM/CU48D	1150	40.5	29.6	15.00	12.25	40.0	25.2	8.20	7.30	3.34	2.64
YHE42B23S	TM8V100C20MP12C	21.0	CF48CBCA1	1150	40.0	29.1	15.00	12.25	40.0	25.4	8.20	7.25	3.34	2.62
YHE42B23S	TM8V100C20MP12C	21.0	CM48CBCA1	1150	40.0	29.1	15.00	12.25	40.0	25.4	8.20	7.25	3.34	2.62
YHE42B23S	TM8V100C20MP12C	21.0	CM48DBCA1	1150	40.5	29.6	15.00	12.25	40.0	25.2	8.20	7.30	3.34	2.64
YHE42B23S	TM8V120C20MP11C	21.0	CF/CM/CU48C	1150	40.0	29.1	15.00	12.25	40.0	25.4	8.20	7.25	3.34	2.62
YHE42B23S	TM8V120C20MP11C	21.0	CF/CM/CU48D	1150	40.5	29.6	15.00	12.25	40.0	25.2	8.20	7.30	3.34	2.64
YHE42B23S	TM8V120C20MP11C	21.0	CF48CBCA1	1150	40.0	29.1	15.00	12.25	40.0	25.4	8.20	7.25	3.34	2.62
YHE42B23S	TM8V120C20MP11C	21.0	CM48CBCA1	1150	40.0	29.1	15.00	12.25	40.0	25.4	8.20	7.25	3.34	2.62
YHE42B23S	TM8V120C20MP11C	21.0	CM48DBCA1	1150	40.5	29.6	15.00	12.25	40.0	25.2	8.20	7.30	3.34	2.64
YHE42B23S	TM8V120C20MP12C	21.0	CF/CM/CU48C	1150	40.0	29.1	15.00	12.25	40.0	25.4	8.20	7.25	3.34	2.62
YHE42B23S	TM8V120C20MP12C	21.0	CF/CM/CU48D	1150	40.5	29.6	15.00	12.25	40.0	25.2	8.20	7.30	3.34	2.64
YHE42B23S	TM8V120C20MP12C	21.0	CF48CBCA1	1150	40.0	29.1	15.00	12.25	40.0	25.4	8.20	7.25	3.34	2.62
YHE42B23S	TM8V120C20MP12C	21.0	CM48CBCA1	1150	40.0	29.1	15.00	12.25	40.0	25.4	8.20	7.25	3.34	2.62
YHE42B23S	TM8V120C20MP12C	21.0	CM48DBCA1	1150	40.5	29.6	15.00	12.25	40.0	25.2	8.20	7.30	3.34	2.64
YHE42B23S	TM8X080C16MP11	21.0	CF/CM/CU48C	1150	40.0	29.1	15.00	12.20	40.0	25.4	8.20	7.30	3.32	2.62
YHE42B23S	TM8X080C16MP11	21.0	CF/CM/CU48D	1150	40.0	29.1	15.00	12.20	40.0	25.4	8.20	7.30	3.32	2.62
YHE42B23S	TM8X080C16MP11	21.0	CF48CBCA1	1150	40.0	29.1	15.00	12.20	40.0	25.4	8.20	7.30	3.32	2.62
YHE42B23S	TM8X080C16MP11	21.0	CM48CBCA1	1150	40.0	29.1	15.00	12.20	40.0	25.4	8.20	7.30	3.32	2.62
YHE42B23S	TM8X080C16MP11	21.0	CM48DBCA1	1150	40.0	29.1	15.00	12.20	40.0	25.4	8.20	7.30	3.32	2.62
YHE42B23S	TM8X100C16MP11	21.0	CF/CM/CU48C	1150	40.0	29.1	15.00	12.20	40.0	25.4	8.20	7.30	3.32	2.62
YHE42B23S	TM8X100C16MP11	21.0	CF/CM/CU48D	1150	40.0	29.1	15.00	12.20	40.0	25.4	8.20	7.30	3.32	2.62
YHE42B23S	TM8X100C16MP11	21.0	CF48CBCA1	1150	40.0	29.1	15.00	12.20	40.0	25.4	8.20	7.30	3.32	2.62
YHE42B23S	TM8X100C16MP11	21.0	CM48CBCA1	1150	40.0	29.1	15.00	12.20	40.0	25.4	8.20	7.30	3.32	2.62
YHE42B23S	TM8X100C16MP11	21.0	CM48DBCA1	1150	40.0	29.1	15.00	12.20	40.0	25.4	8.20	7.30	3.32	2.62
YHE42B23S	TM8X100C20MP11	21.0	CF/CM/CU48C	1225	40.5	30.2	15.00	12.25	40.0	25.4	8.20	7.25	3.38	2.62
YHE42B23S	TM8X100C20MP11	21.0	CF/CM/CU48D	1250	40.5	30.6	15.25	12.25	40.0	25.2	8.20	7.25	3.40	2.64
YHE42B23S	TM8X100C20MP11	21.0	CF48CBCA1	1225	40.5	30.2	15.00	12.25	40.0	25.4	8.20	7.25	3.38	2.62
YHE42B23S	TM8X100C20MP11	21.0	CM48CBCA1	1225	40.5	30.2	15.00	12.25	40.0	25.4	8.20	7.25	3.38	2.62
YHE42B23S	TM8X100C20MP11	21.0	CM48DBCA1	1250	40.5	30.6	15.25	12.25	40.0	25.2	8.20	7.25	3.40	2.64
YHE42B23S	TM8X120C20MP11	21.0	CF/CM/CU48C	1225	40.5	30.2	15.00	12.25	40.0	25.4	8.20	7.25	3.38	2.62
YHE42B23S	TM8X120C20MP11	21.0	CF/CM/CU48D	1250	40.5	30.6	15.25	12.25	40.0	25.2	8.20	7.25	3.40	2.64
YHE42B23S	TM8X120C20MP11	21.0	CF48CBCA1	1225	40.5	30.2	15.00	12.25	40.0	25.4	8.20	7.25	3.38	2.62
YHE42B23S	TM8X120C20MP11	21.0	CM48CBCA1	1225	40.5	30.2	15.00	12.25	40.0	25.4	8.20	7.25	3.38	2.62
YHE42B23S	TM8X120C20MP11	21.0	CM48DBCA1	1250	40.5	30.6	15.25	12.25	40.0	25.2	8.20	7.25	3.40	2.64
YHE42B23S	TM8Y080C16MP11	21.0	CF/CM/CU48C	1150	40.0	29.1	15.00	12.20	40.0	25.4	8.20	7.30	3.32	2.62

SYSTEM CAPACITY - With High Efficiency Motor Furnaces¹

UNIT MODEL	FURNACE		COIL MODEL ²	COOLING					HEATING					
	MODEL	WIDTH		RATED CFM	NET MBH		SEER	EER	NET MBH		HSPF Region IV	HSPF Region V	COP	
					TOTAL	SENS.			47°F OD	17°F OD			47°F OD	17°F OD
YHE42B23S	TM8Y080C16MP11	21.0	CF/CM/CU48D	1150	40.0	29.1	15.00	12.20	40.0	25.4	8.20	7.30	3.32	2.62
YHE42B23S	TM8Y080C16MP11	21.0	CF48CBCA1	1150	40.0	29.1	15.00	12.20	40.0	25.4	8.20	7.30	3.32	2.62
YHE42B23S	TM8Y080C16MP11	21.0	CM48CBCA1	1150	40.0	29.1	15.00	12.20	40.0	25.4	8.20	7.30	3.32	2.62
YHE42B23S	TM8Y080C16MP11	21.0	CM48DBCA1	1150	40.0	29.1	15.00	12.20	40.0	25.4	8.20	7.30	3.32	2.62
YHE42B23S	TM8Y100C16MP11	21.0	CF/CM/CU48C	1150	40.0	29.1	15.00	12.20	40.0	25.4	8.20	7.30	3.32	2.62
YHE42B23S	TM8Y100C16MP11	21.0	CF/CM/CU48D	1150	40.0	29.1	15.00	12.20	40.0	25.4	8.20	7.30	3.32	2.62
YHE42B23S	TM8Y100C16MP11	21.0	CF48CBCA1	1150	40.0	29.1	15.00	12.20	40.0	25.4	8.20	7.30	3.32	2.62
YHE42B23S	TM8Y100C16MP11	21.0	CM48CBCA1	1150	40.0	29.1	15.00	12.20	40.0	25.4	8.20	7.30	3.32	2.62
YHE42B23S	TM8Y100C16MP11	21.0	CM48DBCA1	1150	40.0	29.1	15.00	12.20	40.0	25.4	8.20	7.30	3.32	2.62
YHE42B23S	TM8Y100C20MP11	21.0	CF/CM/CU48C	1225	40.5	30.2	15.00	12.25	40.0	25.4	8.20	7.25	3.38	2.62
YHE42B23S	TM8Y100C20MP11	21.0	CF/CM/CU48D	1250	40.5	30.6	15.25	12.25	40.0	25.2	8.20	7.25	3.40	2.64
YHE42B23S	TM8Y100C20MP11	21.0	CF48CBCA1	1225	40.5	30.2	15.00	12.25	40.0	25.4	8.20	7.25	3.38	2.62
YHE42B23S	TM8Y100C20MP11	21.0	CM48CBCA1	1225	40.5	30.2	15.00	12.25	40.0	25.4	8.20	7.25	3.38	2.62
YHE42B23S	TM8Y100C20MP11	21.0	CM48DBCA1	1250	40.5	30.6	15.25	12.25	40.0	25.2	8.20	7.25	3.40	2.64
YHE42B23S	TM8Y120C20MP11	21.0	CF/CM/CU48C	1225	40.5	30.2	15.00	12.25	40.0	25.4	8.20	7.25	3.38	2.62
YHE42B23S	TM8Y120C20MP11	21.0	CF/CM/CU48D	1250	40.5	30.6	15.25	12.25	40.0	25.2	8.20	7.25	3.40	2.64
YHE42B23S	TM8Y120C20MP11	21.0	CF48CBCA1	1225	40.5	30.2	15.00	12.25	40.0	25.4	8.20	7.25	3.38	2.62
YHE42B23S	TM8Y120C20MP11	21.0	CM48CBCA1	1225	40.5	30.2	15.00	12.25	40.0	25.4	8.20	7.25	3.38	2.62
YHE42B23S	TM8Y120C20MP11	21.0	CM48DBCA1	1250	40.5	30.6	15.25	12.25	40.0	25.2	8.20	7.25	3.40	2.64
YHE42B23S	TM9E080C16MP11	21.0	CF/CM/CU48C	1150	40.0	29.2	14.75	12.20	40.0	25.6	8.20	7.30	3.30	2.60
YHE42B23S	TM9E080C16MP11	21.0	CF/CM/CU48D	1150	40.0	29.2	14.75	12.20	40.0	25.6	8.20	7.30	3.30	2.60
YHE42B23S	TM9E080C16MP11	21.0	CF48CBCA1	1150	40.0	29.2	14.75	12.20	40.0	25.6	8.20	7.30	3.30	2.60
YHE42B23S	TM9E080C16MP11	21.0	CM48CBCA1	1150	40.0	29.2	14.75	12.20	40.0	25.6	8.20	7.30	3.30	2.60
YHE42B23S	TM9E080C16MP11	21.0	CM48DBCA1	1150	40.0	29.2	14.75	12.20	40.0	25.6	8.20	7.30	3.30	2.60
YHE42B23S	TM9E080C20MP12	21.0	CF/CM/CU48C	1225	41.0	28.5	14.25	12.00	41.0	25.2	9.00	7.90	3.64	2.82
YHE42B23S	TM9E080C20MP12	21.0	CF/CM/CU48D	1250	41.0	28.6	14.25	12.20	41.0	25.2	9.00	7.90	3.66	2.84
YHE42B23S	TM9E080C20MP12	21.0	CF48CBCA1	1225	41.0	28.5	14.25	12.00	41.0	25.2	9.00	7.90	3.64	2.82
YHE42B23S	TM9E080C20MP12	21.0	CM48CBCA1	1225	41.0	28.5	14.25	12.00	41.0	25.2	9.00	7.90	3.64	2.82
YHE42B23S	TM9E080C20MP12	21.0	CM48DBCA1	1250	41.0	28.6	14.25	12.20	41.0	25.2	9.00	7.90	3.66	2.84
YHE42B23S	TM9E100C16MP11	21.0	CF/CM/CU48C	1150	40.0	29.2	14.75	12.20	40.0	25.4	8.20	7.30	3.30	2.60
YHE42B23S	TM9E100C16MP11	21.0	CF/CM/CU48D	1175	40.0	29.4	14.75	12.20	40.0	25.4	8.20	7.30	3.32	2.62
YHE42B23S	TM9E100C16MP11	21.0	CF48CBCA1	1150	40.0	29.2	14.75	12.20	40.0	25.4	8.20	7.30	3.30	2.60
YHE42B23S	TM9E100C16MP11	21.0	CM48CBCA1	1150	40.0	29.2	14.75	12.20	40.0	25.4	8.20	7.30	3.30	2.60
YHE42B23S	TM9E100C16MP11	21.0	CM48DBCA1	1175	40.0	29.4	14.75	12.20	40.0	25.4	8.20	7.30	3.32	2.62
YHE42B23S	TM9E100C16MP12	21.0	CF/CM/CU48C	1275	41.0	28.8	14.00	11.50	41.0	25.6	9.00	7.95	3.60	2.80
YHE42B23S	TM9E100C16MP12	21.0	CF/CM/CU48D	1300	41.0	29.0	14.05	11.50	41.0	25.6	9.00	7.95	3.60	2.80
YHE42B23S	TM9E100C16MP12	21.0	CF48CBCA1	1275	41.0	28.8	14.00	11.50	41.0	25.6	9.00	7.95	3.60	2.80

SYSTEM CAPACITY - With High Efficiency Motor Furnaces¹

UNIT MODEL	FURNACE		COIL MODEL ²	COOLING					HEATING					
	MODEL	WIDTH		RATED CFM	NET MBH		SEER	EER	NET MBH		HSPF Region IV	HSPF Region V	COP	
					TOTAL	SENS.			47°F OD	17°F OD			47°F OD	17°F OD
YHE42B23S	TM9E100C16MP12	21.0	CM48CBCA1	1275	41.0	28.8	14.00	11.50	41.0	25.6	9.00	7.95	3.60	2.80
YHE42B23S	TM9E100C16MP12	21.0	CM48DBCA1	1300	41.0	29.0	14.05	11.50	41.0	25.6	9.00	7.95	3.60	2.80
YHE42B23S	TM9E100C20MP11	21.0	CF/CM/CU48C	1175	40.0	29.4	14.75	12.20	40.0	25.4	8.20	7.30	3.32	2.60
YHE42B23S	TM9E100C20MP11	21.0	CF/CM/CU48D	1200	40.5	30.1	15.00	12.20	40.0	25.4	8.20	7.25	3.36	2.62
YHE42B23S	TM9E100C20MP11	21.0	CF48CBCA1	1175	40.0	29.4	14.75	12.20	40.0	25.4	8.20	7.30	3.32	2.60
YHE42B23S	TM9E100C20MP11	21.0	CM48CBCA1	1175	40.0	29.4	14.75	12.20	40.0	25.4	8.20	7.30	3.32	2.60
YHE42B23S	TM9E100C20MP11	21.0	CM48DBCA1	1200	40.5	30.1	15.00	12.20	40.0	25.4	8.20	7.25	3.36	2.62
YHE42B23S	TM9E100C20MP12	21.0	CF/CM/CU48C	1225	41.0	28.5	14.25	12.20	41.0	25.2	9.00	7.90	3.64	2.82
YHE42B23S	TM9E100C20MP12	21.0	CF/CM/CU48D	1225	41.0	28.5	14.25	12.20	41.0	25.2	9.00	7.90	3.64	2.82
YHE42B23S	TM9E100C20MP12	21.0	CF48CBCA1	1225	41.0	28.5	14.25	12.20	41.0	25.2	9.00	7.90	3.64	2.82
YHE42B23S	TM9E100C20MP12	21.0	CM48CBCA1	1225	41.0	28.5	14.25	12.20	41.0	25.2	9.00	7.90	3.64	2.82
YHE42B23S	TM9E100C20MP12	21.0	CM48DBCA1	1225	41.0	28.5	14.25	12.20	41.0	25.2	9.00	7.90	3.64	2.82
YHE42B23S	TM9E120D20MP11	24.5	CF/CM/CU48D	1250	40.5	30.6	15.00	12.20	40.0	25.4	8.20	7.20	3.40	2.64
YHE42B23S	TM9E120D20MP11	24.5	CM48DBCA1	1250	40.5	30.6	15.00	12.20	40.0	25.4	8.20	7.20	3.40	2.64
YHE42B23S	TM9E120D20MP12	24.5	CF/CM/CU48D	1250	41.0	28.6	14.25	12.00	41.0	25.4	9.00	7.90	3.64	2.82
YHE42B23S	TM9E120D20MP12	24.5	CM48DBCA1	1250	41.0	28.6	14.25	12.00	41.0	25.4	9.00	7.90	3.64	2.82
YHE42B23S	TM9V080C16MP11C	21.0	CF/CM/CU48C	1225	40.5	30.3	14.50	11.75	40.5	25.6	8.20	7.30	3.32	2.58
YHE42B23S	TM9V080C16MP11C	21.0	CF/CM/CU48D	1225	40.5	30.3	14.50	11.75	40.0	25.6	8.20	7.25	3.34	2.60
YHE42B23S	TM9V080C16MP11C	21.0	CF48CBCA1	1225	40.5	30.3	14.50	11.75	40.5	25.6	8.20	7.30	3.32	2.58
YHE42B23S	TM9V080C16MP11C	21.0	CM48CBCA1	1225	40.5	30.3	14.50	11.75	40.5	25.6	8.20	7.30	3.32	2.58
YHE42B23S	TM9V080C16MP11C	21.0	CM48DBCA1	1225	40.5	30.3	14.50	11.75	40.0	25.6	8.20	7.25	3.34	2.60
YHE42B23S	TM9V080C16MP12C	21.0	CF/CM/CU48C	1225	40.5	30.3	14.50	11.75	40.5	25.6	8.20	7.30	3.32	2.58
YHE42B23S	TM9V080C16MP12C	21.0	CF/CM/CU48D	1225	40.5	30.3	14.50	11.75	40.0	25.6	8.20	7.25	3.34	2.60
YHE42B23S	TM9V080C16MP12C	21.0	CF48CBCA1	1225	40.5	30.3	14.50	11.75	40.5	25.6	8.20	7.30	3.32	2.58
YHE42B23S	TM9V080C16MP12C	21.0	CM48CBCA1	1225	40.5	30.3	14.50	11.75	40.5	25.6	8.20	7.30	3.32	2.58
YHE42B23S	TM9V080C16MP12C	21.0	CM48DBCA1	1225	40.5	30.3	14.50	11.75	40.0	25.6	8.20	7.25	3.34	2.60
YHE42B23S	TM9V100C16MP11C	21.0	CF/CM/CU48C	1175	40.0	29.4	15.00	12.20	40.0	25.4	8.20	7.30	3.34	2.62
YHE42B23S	TM9V100C16MP11C	21.0	CF/CM/CU48D	1175	40.0	29.4	15.00	12.20	40.0	25.4	8.20	7.25	3.34	2.62
YHE42B23S	TM9V100C16MP11C	21.0	CF48CBCA1	1175	40.0	29.4	15.00	12.20	40.0	25.4	8.20	7.30	3.34	2.62
YHE42B23S	TM9V100C16MP11C	21.0	CM48CBCA1	1175	40.0	29.4	15.00	12.20	40.0	25.4	8.20	7.30	3.34	2.62
YHE42B23S	TM9V100C16MP11C	21.0	CM48DBCA1	1175	40.0	29.4	15.00	12.20	40.0	25.4	8.20	7.25	3.34	2.62
YHE42B23S	TM9V100C16MP12C	21.0	CF/CM/CU48C	1175	40.0	29.4	15.00	12.20	40.0	25.4	8.20	7.30	3.34	2.62
YHE42B23S	TM9V100C16MP12C	21.0	CF/CM/CU48D	1175	40.0	29.4	15.00	12.20	40.0	25.4	8.20	7.25	3.34	2.62
YHE42B23S	TM9V100C16MP12C	21.0	CF48CBCA1	1175	40.0	29.4	15.00	12.20	40.0	25.4	8.20	7.30	3.34	2.62
YHE42B23S	TM9V100C16MP12C	21.0	CM48CBCA1	1175	40.0	29.4	15.00	12.20	40.0	25.4	8.20	7.30	3.34	2.62
YHE42B23S	TM9V100C16MP12C	21.0	CM48DBCA1	1175	40.0	29.4	15.00	12.20	40.0	25.4	8.20	7.25	3.34	2.62
YHE42B23S	TM9V100C20MP11C	21.0	CF/CM/CU48C	1225	40.5	30.3	14.75	12.20	40.0	25.4	8.20	7.25	3.36	2.62

SYSTEM CAPACITY - With High Efficiency Motor Furnaces¹

UNIT MODEL	FURNACE		COIL MODEL ²	COOLING					HEATING					
	MODEL	WIDTH		RATED CFM	NET MBH		SEER	EER	NET MBH		HSPF Region IV	HSPF Region V	COP	
					TOTAL	SENS.			47°F OD	17°F OD			47°F OD	17°F OD
YHE42B23S	TM9V100C20MP11C	21.0	CF/CM/CU48D	1225	40.5	30.3	15.00	12.20	40.0	25.4	8.20	7.30	3.36	2.62
YHE42B23S	TM9V100C20MP11C	21.0	CF48CBCA1	1225	40.5	30.3	14.75	12.20	40.0	25.4	8.20	7.25	3.36	2.62
YHE42B23S	TM9V100C20MP11C	21.0	CM48CBCA1	1225	40.5	30.3	14.75	12.20	40.0	25.4	8.20	7.25	3.36	2.62
YHE42B23S	TM9V100C20MP11C	21.0	CM48DBCA1	1225	40.5	30.3	15.00	12.20	40.0	25.4	8.20	7.30	3.36	2.62
YHE42B23S	TM9V100C20MP12C	21.0	CF/CM/CU48C	1225	40.5	30.3	14.75	12.20	40.0	25.4	8.20	7.25	3.36	2.62
YHE42B23S	TM9V100C20MP12C	21.0	CF/CM/CU48D	1225	40.5	30.3	15.00	12.20	40.0	25.4	8.20	7.30	3.36	2.62
YHE42B23S	TM9V100C20MP12C	21.0	CF48CBCA1	1225	40.5	30.3	14.75	12.20	40.0	25.4	8.20	7.25	3.36	2.62
YHE42B23S	TM9V100C20MP12C	21.0	CM48CBCA1	1225	40.5	30.3	14.75	12.20	40.0	25.4	8.20	7.25	3.36	2.62
YHE42B23S	TM9V100C20MP12C	21.0	CM48DBCA1	1225	40.5	30.3	15.00	12.20	40.0	25.4	8.20	7.30	3.36	2.62
YHE42B23S	TM9V120D20MP11C	24.5	CF/CM/CU48D	1200	40.5	30.1	15.00	12.25	40.0	25.4	8.20	7.25	3.38	2.64
YHE42B23S	TM9V120D20MP11C	24.5	CM48DBCA1	1200	40.5	30.1	15.00	12.25	40.0	25.4	8.20	7.25	3.38	2.64
YHE42B23S	TM9V120D20MP12C	24.5	CF/CM/CU48D	1200	40.5	30.1	15.00	12.25	40.0	25.4	8.20	7.25	3.38	2.64
YHE42B23S	TM9V120D20MP12C	24.5	CM48DBCA1	1200	40.5	30.1	15.00	12.25	40.0	25.4	8.20	7.25	3.38	2.64
YHE42B23S	TM9Y080C16MP11	21.0	CF/CM/CU48C	1150	40.0	29.2	14.75	12.20	40.0	25.6	8.20	7.30	3.30	2.60
YHE42B23S	TM9Y080C16MP11	21.0	CF/CM/CU48D	1150	40.0	29.2	14.75	12.20	40.0	25.6	8.20	7.30	3.30	2.60
YHE42B23S	TM9Y080C16MP11	21.0	CF48CBCA1	1150	40.0	29.2	14.75	12.20	40.0	25.6	8.20	7.30	3.30	2.60
YHE42B23S	TM9Y080C16MP11	21.0	CM48CBCA1	1150	40.0	29.2	14.75	12.20	40.0	25.6	8.20	7.30	3.30	2.60
YHE42B23S	TM9Y080C16MP11	21.0	CM48DBCA1	1150	40.0	29.2	14.75	12.20	40.0	25.6	8.20	7.30	3.30	2.60
YHE42B23S	TM9Y100C16MP11	21.0	CF/CM/CU48C	1150	40.0	29.2	14.75	12.20	40.0	25.4	8.20	7.30	3.30	2.60
YHE42B23S	TM9Y100C16MP11	21.0	CF/CM/CU48D	1175	40.0	29.4	14.75	12.20	40.0	25.4	8.20	7.30	3.32	2.62
YHE42B23S	TM9Y100C16MP11	21.0	CF48CBCA1	1150	40.0	29.2	14.75	12.20	40.0	25.4	8.20	7.30	3.30	2.60
YHE42B23S	TM9Y100C16MP11	21.0	CM48CBCA1	1150	40.0	29.2	14.75	12.20	40.0	25.4	8.20	7.30	3.30	2.60
YHE42B23S	TM9Y100C16MP11	21.0	CM48DBCA1	1175	40.0	29.4	14.75	12.20	40.0	25.4	8.20	7.30	3.32	2.62
YHE42B23S	TM9Y100C20MP11	21.0	CF/CM/CU48C	1175	40.0	29.4	14.75	12.20	40.0	25.4	8.20	7.30	3.32	2.60
YHE42B23S	TM9Y100C20MP11	21.0	CF/CM/CU48D	1200	40.5	30.1	15.00	12.20	40.0	25.4	8.20	7.25	3.36	2.62
YHE42B23S	TM9Y100C20MP11	21.0	CF48CBCA1	1175	40.0	29.4	14.75	12.20	40.0	25.4	8.20	7.30	3.32	2.60
YHE42B23S	TM9Y100C20MP11	21.0	CM48CBCA1	1175	40.0	29.4	14.75	12.20	40.0	25.4	8.20	7.30	3.32	2.60
YHE42B23S	TM9Y100C20MP11	21.0	CM48DBCA1	1200	40.5	30.1	15.00	12.20	40.0	25.4	8.20	7.25	3.36	2.62
YHE42B23S	TM9Y120D20MP11	24.5	CF/CM/CU48D	1250	40.5	30.6	15.00	12.20	40.0	25.4	8.20	7.20	3.40	2.64
YHE42B23S	TM9Y120D20MP11	24.5	CM48DBCA1	1250	40.5	30.6	15.00	12.20	40.0	25.4	8.20	7.20	3.40	2.64
YHE42B23S	TMLE080C16MP11	21.0	CF/CM/CU48C	1275	41.0	28.8	14.10	12.00	41.0	25.6	9.00	7.95	3.62	2.82
YHE42B23S	TMLE080C16MP11	21.0	CF/CM/CU48D	1300	41.0	29.0	14.10	12.00	41.0	25.6	9.00	7.95	3.62	2.82
YHE42B23S	TMLE080C16MP11	21.0	CF48CBCA1	1275	41.0	28.8	14.10	12.00	41.0	25.6	9.00	7.95	3.62	2.82
YHE42B23S	TMLE080C16MP11	21.0	CM48CBCA1	1275	41.0	28.8	14.10	12.00	41.0	25.6	9.00	7.95	3.62	2.82
YHE42B23S	TMLE080C16MP11	21.0	CM48DBCA1	1300	41.0	29.0	14.10	12.00	41.0	25.6	9.00	7.95	3.62	2.82
YHE42B23S	TMLE080C20MP11	21.0	CF/CM/CU48C	1250	41.0	28.6	14.25	12.00	41.0	25.4	9.00	7.90	3.64	2.84
YHE42B23S	TMLE080C20MP11	21.0	CF/CM/CU48D	1275	41.5	29.3	14.25	12.20	41.0	25.4	9.00	7.90	3.66	2.84

SYSTEM CAPACITY - With High Efficiency Motor Furnaces¹

UNIT MODEL	FURNACE		COIL MODEL ²	COOLING					HEATING					
	MODEL	WIDTH		RATED CFM	NET MBH		SEER	EER	NET MBH		HSPF Region IV	HSPF Region V	COP	
					TOTAL	SENS.			47°F OD	17°F OD			47°F OD	17°F OD
YHE42B23S	TMLE080C20MP11	21.0	CF48CBCA1	1250	41.0	28.6	14.25	12.00	41.0	25.4	9.00	7.90	3.64	2.84
YHE42B23S	TMLE080C20MP11	21.0	CM48CBCA1	1250	41.0	28.6	14.25	12.00	41.0	25.4	9.00	7.90	3.64	2.84
YHE42B23S	TMLE080C20MP11	21.0	CM48DBC A1	1275	41.5	29.3	14.25	12.20	41.0	25.4	9.00	7.90	3.66	2.84
YHE42B23S	TMLE100C16MP11	21.0	CF/CM/CU48C	1300	41.0	29.0	14.05	11.50	41.0	25.6	9.00	7.95	3.62	2.82
YHE42B23S	TMLE100C16MP11	21.0	CF/CM/CU48D	1325	41.0	29.1	14.10	12.00	41.0	25.6	9.00	7.95	3.62	2.82
YHE42B23S	TMLE100C16MP11	21.0	CF48CBCA1	1300	41.0	29.0	14.05	11.50	41.0	25.6	9.00	7.95	3.62	2.82
YHE42B23S	TMLE100C16MP11	21.0	CM48CBCA1	1300	41.0	29.0	14.05	11.50	41.0	25.6	9.00	7.95	3.62	2.82
YHE42B23S	TMLE100C16MP11	21.0	CM48DBC A1	1325	41.0	29.1	14.10	12.00	41.0	25.6	9.00	7.95	3.62	2.82
YHE42B23S	TMLE100C20MP11	21.0	CF/CM/CU48C	1250	41.0	28.6	14.25	12.00	41.0	25.4	9.00	7.90	3.64	2.84
YHE42B23S	TMLE100C20MP11	21.0	CF/CM/CU48D	1275	41.5	29.3	14.25	12.20	41.0	25.4	9.00	7.90	3.66	2.84
YHE42B23S	TMLE100C20MP11	21.0	CF48CBCA1	1250	41.0	28.6	14.25	12.00	41.0	25.4	9.00	7.90	3.64	2.84
YHE42B23S	TMLE100C20MP11	21.0	CM48CBCA1	1250	41.0	28.6	14.25	12.00	41.0	25.4	9.00	7.90	3.64	2.84
YHE42B23S	TMLE100C20MP11	21.0	CM48DBC A1	1275	41.5	29.3	14.25	12.20	41.0	25.4	9.00	7.90	3.66	2.84
YHE42B23S	TMLE120C16MP11	21.0	CF/CM/CU48C	1325	41.0	29.1	14.10	12.00	41.0	25.6	9.00	7.95	3.62	2.82
YHE42B23S	TMLE120C16MP11	21.0	CF/CM/CU48D	1325	41.0	29.1	14.10	12.00	41.0	25.6	9.00	7.95	3.64	2.84
YHE42B23S	TMLE120C16MP11	21.0	CF48CBCA1	1325	41.0	29.1	14.10	12.00	41.0	25.6	9.00	7.95	3.62	2.82
YHE42B23S	TMLE120C16MP11	21.0	CM48CBCA1	1325	41.0	29.1	14.10	12.00	41.0	25.6	9.00	7.95	3.62	2.82
YHE42B23S	TMLE120C16MP11	21.0	CM48DBC A1	1325	41.0	29.1	14.10	12.00	41.0	25.6	9.00	7.95	3.64	2.84
YHE42B23S	TMLE120C20MP11	21.0	CF/CM/CU48C	1300	41.5	29.5	14.25	12.00	41.0	25.4	9.00	7.90	3.66	2.84
YHE42B23S	TMLE120C20MP11	21.0	CF/CM/CU48D	1300	41.5	29.5	14.25	12.00	41.0	25.4	9.00	7.95	3.66	2.84
YHE42B23S	TMLE120C20MP11	21.0	CF48CBCA1	1300	41.5	29.5	14.25	12.00	41.0	25.4	9.00	7.90	3.66	2.84
YHE42B23S	TMLE120C20MP11	21.0	CM48CBCA1	1300	41.5	29.5	14.25	12.00	41.0	25.4	9.00	7.90	3.66	2.84
YHE42B23S	TMLE120C20MP11	21.0	CM48DBC A1	1300	41.5	29.5	14.25	12.00	41.0	25.4	9.00	7.95	3.66	2.84
YHE42B23S	TMLE130D20MP11	24.5	CF/CM/CU48D	1300	41.5	29.5	14.25	12.00	40.5	25.4	9.00	7.95	3.66	2.86
YHE42B23S	TMLE130D20MP11	24.5	CM48DBC A1	1300	41.5	29.5	14.25	12.00	40.5	25.4	9.00	7.95	3.66	2.86
YHE42B23S	TMLV080C16MP11C	21.0	CF/CM/CU48C	1150	40.0	29.1	14.75	12.20	40.0	25.4	8.20	7.30	3.32	2.60
YHE42B23S	TMLV080C16MP11C	21.0	CF/CM/CU48D	1150	40.0	29.1	15.00	12.20	40.0	25.4	8.20	7.30	3.32	2.62
YHE42B23S	TMLV080C16MP11C	21.0	CF48CBCA1	1150	40.0	29.1	14.75	12.20	40.0	25.4	8.20	7.30	3.32	2.60
YHE42B23S	TMLV080C16MP11C	21.0	CM48CBCA1	1150	40.0	29.1	14.75	12.20	40.0	25.4	8.20	7.30	3.32	2.60
YHE42B23S	TMLV080C16MP11C	21.0	CM48DBC A1	1150	40.0	29.1	15.00	12.20	40.0	25.4	8.20	7.30	3.32	2.62
YHE42B23S	TMLV080C16MP12C	21.0	CF/CM/CU48C	1150	40.0	29.1	14.75	12.20	40.0	25.4	8.20	7.30	3.32	2.60
YHE42B23S	TMLV080C16MP12C	21.0	CF/CM/CU48D	1150	40.0	29.1	15.00	12.20	40.0	25.4	8.20	7.30	3.32	2.62
YHE42B23S	TMLV080C16MP12C	21.0	CF48CBCA1	1150	40.0	29.1	14.75	12.20	40.0	25.4	8.20	7.30	3.32	2.60
YHE42B23S	TMLV080C16MP12C	21.0	CM48CBCA1	1150	40.0	29.1	14.75	12.20	40.0	25.4	8.20	7.30	3.32	2.60
YHE42B23S	TMLV080C16MP12C	21.0	CM48DBC A1	1150	40.0	29.1	15.00	12.20	40.0	25.4	8.20	7.30	3.32	2.62
YHE42B23S	TMLV100C16MP11C	21.0	CF/CM/CU48C	1150	40.0	29.1	14.75	12.20	40.0	25.4	8.20	7.30	3.32	2.60
YHE42B23S	TMLV100C16MP11C	21.0	CF/CM/CU48D	1150	40.0	29.1	15.00	12.20	40.0	25.4	8.20	7.30	3.32	2.62

SYSTEM CAPACITY - With High Efficiency Motor Furnaces¹

UNIT MODEL	FURNACE		COIL MODEL ²	COOLING					HEATING					
	MODEL	WIDTH		RATED CFM	NET MBH		SEER	EER	NET MBH		HSPF Region IV	HSPF Region V	COP	
					TOTAL	SENS.			47°F OD	17°F OD			47°F OD	17°F OD
YHE42B23S	TMLV100C16MP11C	21.0	CF48CBCA1	1150	40.0	29.1	14.75	12.20	40.0	25.4	8.20	7.30	3.32	2.60
YHE42B23S	TMLV100C16MP11C	21.0	CM48CBCA1	1150	40.0	29.1	14.75	12.20	40.0	25.4	8.20	7.30	3.32	2.60
YHE42B23S	TMLV100C16MP11C	21.0	CM48DBCA1	1150	40.0	29.1	15.00	12.20	40.0	25.4	8.20	7.30	3.32	2.62
YHE42B23S	TMLV100C16MP12C	21.0	CF/CM/CU48C	1150	40.0	29.1	14.75	12.20	40.0	25.4	8.20	7.30	3.32	2.60
YHE42B23S	TMLV100C16MP12C	21.0	CF/CM/CU48D	1150	40.0	29.1	15.00	12.20	40.0	25.4	8.20	7.30	3.32	2.62
YHE42B23S	TMLV100C16MP12C	21.0	CF48CBCA1	1150	40.0	29.1	14.75	12.20	40.0	25.4	8.20	7.30	3.32	2.60
YHE42B23S	TMLV100C16MP12C	21.0	CM48CBCA1	1150	40.0	29.1	14.75	12.20	40.0	25.4	8.20	7.30	3.32	2.60
YHE42B23S	TMLV100C16MP12C	21.0	CM48DBCA1	1150	40.0	29.1	15.00	12.20	40.0	25.4	8.20	7.30	3.32	2.62
YHE42B23S	TMLV100C20MP11C	21.0	CF/CM/CU48C	1150	40.0	29.1	15.00	12.25	40.0	25.4	8.20	7.25	3.34	2.62
YHE42B23S	TMLV100C20MP11C	21.0	CF/CM/CU48D	1150	40.5	29.6	15.00	12.25	40.0	25.2	8.20	7.30	3.34	2.64
YHE42B23S	TMLV100C20MP11C	21.0	CF48CBCA1	1150	40.0	29.1	15.00	12.25	40.0	25.4	8.20	7.25	3.34	2.62
YHE42B23S	TMLV100C20MP11C	21.0	CM48CBCA1	1150	40.0	29.1	15.00	12.25	40.0	25.4	8.20	7.25	3.34	2.62
YHE42B23S	TMLV100C20MP11C	21.0	CM48DBCA1	1150	40.5	29.6	15.00	12.25	40.0	25.2	8.20	7.30	3.34	2.64
YHE42B23S	TMLV100C20MP12C	21.0	CF/CM/CU48C	1150	40.0	29.1	15.00	12.25	40.0	25.4	8.20	7.25	3.34	2.62
YHE42B23S	TMLV100C20MP12C	21.0	CF/CM/CU48D	1150	40.5	29.6	15.00	12.25	40.0	25.2	8.20	7.30	3.34	2.64
YHE42B23S	TMLV100C20MP12C	21.0	CF48CBCA1	1150	40.0	29.1	15.00	12.25	40.0	25.4	8.20	7.25	3.34	2.62
YHE42B23S	TMLV100C20MP12C	21.0	CM48CBCA1	1150	40.0	29.1	15.00	12.25	40.0	25.4	8.20	7.25	3.34	2.62
YHE42B23S	TMLV100C20MP12C	21.0	CM48DBCA1	1150	40.5	29.6	15.00	12.25	40.0	25.2	8.20	7.30	3.34	2.64
YHE42B23S	TMLV120C20MP11C	21.0	CF/CM/CU48C	1150	40.0	29.1	15.00	12.25	40.0	25.4	8.20	7.25	3.34	2.62
YHE42B23S	TMLV120C20MP11C	21.0	CF/CM/CU48D	1150	40.5	29.6	15.00	12.25	40.0	25.2	8.20	7.30	3.34	2.64
YHE42B23S	TMLV120C20MP11C	21.0	CF48CBCA1	1150	40.0	29.1	15.00	12.25	40.0	25.4	8.20	7.25	3.34	2.62
YHE42B23S	TMLV120C20MP11C	21.0	CM48CBCA1	1150	40.0	29.1	15.00	12.25	40.0	25.4	8.20	7.25	3.34	2.62
YHE42B23S	TMLV120C20MP11C	21.0	CM48DBCA1	1150	40.5	29.6	15.00	12.25	40.0	25.2	8.20	7.30	3.34	2.64
YHE42B23S	TMLV120C20MP12C	21.0	CF/CM/CU48C	1150	40.0	29.1	15.00	12.25	40.0	25.4	8.20	7.25	3.34	2.62
YHE42B23S	TMLV120C20MP12C	21.0	CF/CM/CU48D	1150	40.5	29.6	15.00	12.25	40.0	25.2	8.20	7.30	3.34	2.64
YHE42B23S	TMLV120C20MP12C	21.0	CF48CBCA1	1150	40.0	29.1	15.00	12.25	40.0	25.4	8.20	7.25	3.34	2.62
YHE42B23S	TMLV120C20MP12C	21.0	CM48CBCA1	1150	40.0	29.1	15.00	12.25	40.0	25.4	8.20	7.25	3.34	2.62
YHE42B23S	TMLV120C20MP12C	21.0	CM48DBCA1	1150	40.5	29.6	15.00	12.25	40.0	25.2	8.20	7.30	3.34	2.64
YHE42B23S	TMLX080C16MP11	21.0	CF/CM/CU48C	1150	40.0	29.1	15.00	12.20	40.0	25.4	8.20	7.30	3.32	2.62
YHE42B23S	TMLX080C16MP11	21.0	CF/CM/CU48D	1150	40.0	29.1	15.00	12.20	40.0	25.4	8.20	7.30	3.32	2.62
YHE42B23S	TMLX080C16MP11	21.0	CF48CBCA1	1150	40.0	29.1	15.00	12.20	40.0	25.4	8.20	7.30	3.32	2.62
YHE42B23S	TMLX080C16MP11	21.0	CM48CBCA1	1150	40.0	29.1	15.00	12.20	40.0	25.4	8.20	7.30	3.32	2.62
YHE42B23S	TMLX080C16MP11	21.0	CM48DBCA1	1150	40.0	29.1	15.00	12.20	40.0	25.4	8.20	7.30	3.32	2.62
YHE42B23S	TMLX100C16MP11	21.0	CF/CM/CU48C	1150	40.0	29.1	15.00	12.20	40.0	25.4	8.20	7.30	3.32	2.62
YHE42B23S	TMLX100C16MP11	21.0	CF/CM/CU48D	1150	40.0	29.1	15.00	12.20	40.0	25.4	8.20	7.30	3.32	2.62
YHE42B23S	TMLX100C16MP11	21.0	CF48CBCA1	1150	40.0	29.1	15.00	12.20	40.0	25.4	8.20	7.30	3.32	2.62
YHE42B23S	TMLX100C16MP11	21.0	CM48CBCA1	1150	40.0	29.1	15.00	12.20	40.0	25.4	8.20	7.30	3.32	2.62

SYSTEM CAPACITY - With High Efficiency Motor Furnaces¹

UNIT MODEL	FURNACE		COIL MODEL ²	COOLING					HEATING					
	MODEL	WIDTH		RATED CFM	NET MBH		SEER	EER	NET MBH		HSPF Region IV	HSPF Region V	COP	
					TOTAL	SENS.			47°F OD	17°F OD			47°F OD	17°F OD
YHE42B23S	TMLX100C16MP11	21.0	CM48DBCA1	1150	40.0	29.1	15.00	12.20	40.0	25.4	8.20	7.30	3.32	2.62
YHE42B23S	TMLX100C20MP11	21.0	CF/CM/CU48C	1225	40.5	30.2	15.00	12.25	40.0	25.4	8.20	7.25	3.38	2.62
YHE42B23S	TMLX100C20MP11	21.0	CF/CM/CU48D	1250	40.5	30.6	15.25	12.25	40.0	25.2	8.20	7.25	3.40	2.64
YHE42B23S	TMLX100C20MP11	21.0	CF48CBCA1	1225	40.5	30.2	15.00	12.25	40.0	25.4	8.20	7.25	3.38	2.62
YHE42B23S	TMLX100C20MP11	21.0	CM48CBCA1	1225	40.5	30.2	15.00	12.25	40.0	25.4	8.20	7.25	3.38	2.62
YHE42B23S	TMLX100C20MP11	21.0	CM48DBCA1	1250	40.5	30.6	15.25	12.25	40.0	25.2	8.20	7.25	3.40	2.64
YHE42B23S	TMLX120C20MP11	21.0	CF/CM/CU48C	1225	40.5	30.2	15.00	12.25	40.0	25.4	8.20	7.25	3.38	2.62
YHE42B23S	TMLX120C20MP11	21.0	CF/CM/CU48D	1250	40.5	30.6	15.25	12.25	40.0	25.2	8.20	7.25	3.40	2.64
YHE42B23S	TMLX120C20MP11	21.0	CF48CBCA1	1225	40.5	30.2	15.00	12.25	40.0	25.4	8.20	7.25	3.38	2.62
YHE42B23S	TMLX120C20MP11	21.0	CM48CBCA1	1225	40.5	30.2	15.00	12.25	40.0	25.4	8.20	7.25	3.38	2.62
YHE42B23S	TMLX120C20MP11	21.0	CM48DBCA1	1250	40.5	30.6	15.25	12.25	40.0	25.2	8.20	7.25	3.40	2.64
YHE42B23S	TP9C080C16MP13C	21.0	CF/CM/CU48C	1225	40.5	30.3	14.50	11.75	40.5	25.6	8.20	7.30	3.32	2.58
YHE42B23S	TP9C080C16MP13C	21.0	CF/CM/CU48D	1225	40.5	30.3	14.50	11.75	40.0	25.6	8.20	7.25	3.34	2.60
YHE42B23S	TP9C080C16MP13C	21.0	CF48CBCA1	1225	40.5	30.3	14.50	11.75	40.5	25.6	8.20	7.30	3.32	2.58
YHE42B23S	TP9C080C16MP13C	21.0	CM48CBCA1	1225	40.5	30.3	14.50	11.75	40.5	25.6	8.20	7.30	3.32	2.58
YHE42B23S	TP9C080C16MP13C	21.0	CM48DBCA1	1225	40.5	30.3	14.50	11.75	40.0	25.6	8.20	7.25	3.34	2.60
YHE42B23S	TP9C100C16MP12C	21.0	CF/CM/CU48C	1175	40.0	29.4	15.00	12.20	40.0	25.4	8.20	7.30	3.34	2.62
YHE42B23S	TP9C100C16MP12C	21.0	CF/CM/CU48D	1175	40.0	29.4	15.00	12.20	40.0	25.4	8.20	7.25	3.34	2.62
YHE42B23S	TP9C100C16MP12C	21.0	CF48CBCA1	1175	40.0	29.4	15.00	12.20	40.0	25.4	8.20	7.30	3.34	2.62
YHE42B23S	TP9C100C16MP12C	21.0	CM48CBCA1	1175	40.0	29.4	15.00	12.20	40.0	25.4	8.20	7.30	3.34	2.62
YHE42B23S	TP9C100C16MP12C	21.0	CM48DBCA1	1175	40.0	29.4	15.00	12.20	40.0	25.4	8.20	7.25	3.34	2.62
YHE42B23S	TP9C100C16MP13C	21.0	CF/CM/CU48C	1175	40.0	29.4	15.00	12.20	40.0	25.4	8.20	7.30	3.34	2.62
YHE42B23S	TP9C100C16MP13C	21.0	CF/CM/CU48D	1175	40.0	29.4	15.00	12.20	40.0	25.4	8.20	7.25	3.34	2.62
YHE42B23S	TP9C100C16MP13C	21.0	CF48CBCA1	1175	40.0	29.4	15.00	12.20	40.0	25.4	8.20	7.30	3.34	2.62
YHE42B23S	TP9C100C16MP13C	21.0	CM48CBCA1	1175	40.0	29.4	15.00	12.20	40.0	25.4	8.20	7.30	3.34	2.62
YHE42B23S	TP9C100C16MP13C	21.0	CM48DBCA1	1175	40.0	29.4	15.00	12.20	40.0	25.4	8.20	7.25	3.34	2.62
YHE42B23S	TP9C100C16MP13C	21.0	CF/CM/CU48C	1175	40.0	29.4	15.00	12.20	40.0	25.4	8.20	7.30	3.34	2.62
YHE42B23S	TP9C100C16MP13C	21.0	CF/CM/CU48D	1175	40.0	29.4	15.00	12.20	40.0	25.4	8.20	7.25	3.34	2.62
YHE42B23S	TP9C100C16MP13C	21.0	CF48CBCA1	1175	40.0	29.4	15.00	12.20	40.0	25.4	8.20	7.30	3.34	2.62
YHE42B23S	TP9C100C16MP13C	21.0	CM48CBCA1	1175	40.0	29.4	15.00	12.20	40.0	25.4	8.20	7.25	3.34	2.62
YHE42B23S	TP9C100C20MP12C	21.0	CF/CM/CU48C	1225	40.5	30.3	14.75	12.20	40.0	25.4	8.20	7.25	3.36	2.62
YHE42B23S	TP9C100C20MP12C	21.0	CF/CM/CU48D	1225	40.5	30.3	15.00	12.20	40.0	25.4	8.20	7.30	3.36	2.62
YHE42B23S	TP9C100C20MP12C	21.0	CF48CBCA1	1225	40.5	30.3	14.75	12.20	40.0	25.4	8.20	7.25	3.36	2.62
YHE42B23S	TP9C100C20MP12C	21.0	CM48CBCA1	1225	40.5	30.3	14.75	12.20	40.0	25.4	8.20	7.25	3.36	2.62
YHE42B23S	TP9C100C20MP12C	21.0	CM48DBCA1	1225	40.5	30.3	15.00	12.20	40.0	25.4	8.20	7.30	3.36	2.62
YHE42B23S	TP9C100C20MP13C	21.0	CF/CM/CU48C	1225	40.5	30.3	14.75	12.20	40.0	25.4	8.20	7.25	3.36	2.62
YHE42B23S	TP9C100C20MP13C	21.0	CF/CM/CU48D	1225	40.5	30.3	15.00	12.20	40.0	25.4	8.20	7.30	3.36	2.62
YHE42B23S	TP9C100C20MP13C	21.0	CF48CBCA1	1225	40.5	30.3	14.75	12.20	40.0	25.4	8.20	7.25	3.36	2.62
YHE42B23S	TP9C100C20MP13C	21.0	CM48CBCA1	1225	40.5	30.3	14.75	12.20	40.0	25.4	8.20	7.25	3.36	2.62
YHE42B23S	TP9C100C20MP13C	21.0	CM48DBCA1	1225	40.5	30.3	15.00	12.20	40.0	25.4	8.20	7.30	3.36	2.62
YHE42B23S	TP9C120D20MP12C	24.5	CF/CM/CU48D	1200	40.5	30.1	15.00	12.25	40.0	25.4	8.20	7.25	3.38	2.64

SYSTEM CAPACITY - With High Efficiency Motor Furnaces¹

UNIT MODEL	FURNACE		COIL MODEL ²	COOLING					HEATING					
	MODEL	WIDTH		RATED CFM	NET MBH		SEER	EER	NET MBH		HSPF Region IV	HSPF Region V	COP	
					TOTAL	SENS.			47°F OD	17°F OD			47°F OD	17°F OD
YHE42B23S	TP9C120D20MP12C	24.5	CM48DBCA1	1200	40.5	30.1	15.00	12.25	40.0	25.4	8.20	7.25	3.38	2.64
YHE42B23S	TP9C120D20MP13C	24.5	CF/CM/CU48D	1200	40.5	30.1	15.00	12.25	40.0	25.4	8.20	7.25	3.38	2.64
YHE42B23S	TP9C120D20MP13C	24.5	CM48DBCA1	1200	40.5	30.1	15.00	12.25	40.0	25.4	8.20	7.25	3.38	2.64
YHE42B23S	TPLC080C16MP12C	21.0	CF/CM/CU48C	1150	40.0	29.1	14.75	12.20	40.0	25.4	8.20	7.30	3.32	2.60
YHE42B23S	TPLC080C16MP12C	21.0	CF/CM/CU48D	1150	40.0	29.1	15.00	12.20	40.0	25.4	8.20	7.30	3.32	2.62
YHE42B23S	TPLC080C16MP12C	21.0	CF48CBCA1	1150	40.0	29.1	14.75	12.20	40.0	25.4	8.20	7.30	3.32	2.60
YHE42B23S	TPLC080C16MP12C	21.0	CM48CBCA1	1150	40.0	29.1	14.75	12.20	40.0	25.4	8.20	7.30	3.32	2.60
YHE42B23S	TPLC080C16MP12C	21.0	CM48DBCA1	1150	40.0	29.1	15.00	12.20	40.0	25.4	8.20	7.30	3.32	2.62
YHE42B23S	TPLC080C16MP13C	21.0	CF/CM/CU48C	1150	40.0	29.1	14.75	12.20	40.0	25.4	8.20	7.30	3.32	2.60
YHE42B23S	TPLC080C16MP13C	21.0	CF/CM/CU48D	1150	40.0	29.1	15.00	12.20	40.0	25.4	8.20	7.30	3.32	2.62
YHE42B23S	TPLC080C16MP13C	21.0	CF48CBCA1	1150	40.0	29.1	14.75	12.20	40.0	25.4	8.20	7.30	3.32	2.60
YHE42B23S	TPLC080C16MP13C	21.0	CM48CBCA1	1150	40.0	29.1	14.75	12.20	40.0	25.4	8.20	7.30	3.32	2.60
YHE42B23S	TPLC080C16MP13C	21.0	CM48DBCA1	1150	40.0	29.1	15.00	12.20	40.0	25.4	8.20	7.30	3.32	2.62
YHE42B23S	TPLC100C16MP12C	21.0	CF/CM/CU48C	1150	40.0	29.1	14.75	12.20	40.0	25.4	8.20	7.30	3.32	2.60
YHE42B23S	TPLC100C16MP12C	21.0	CF/CM/CU48D	1150	40.0	29.1	15.00	12.20	40.0	25.4	8.20	7.30	3.32	2.62
YHE42B23S	TPLC100C16MP12C	21.0	CF48CBCA1	1150	40.0	29.1	14.75	12.20	40.0	25.4	8.20	7.30	3.32	2.60
YHE42B23S	TPLC100C16MP12C	21.0	CM48CBCA1	1150	40.0	29.1	14.75	12.20	40.0	25.4	8.20	7.30	3.32	2.60
YHE42B23S	TPLC100C16MP12C	21.0	CM48DBCA1	1150	40.0	29.1	15.00	12.20	40.0	25.4	8.20	7.30	3.32	2.62
YHE42B23S	TPLC100C16MP13C	21.0	CF/CM/CU48C	1150	40.0	29.1	14.75	12.20	40.0	25.4	8.20	7.30	3.32	2.60
YHE42B23S	TPLC100C16MP13C	21.0	CF/CM/CU48D	1150	40.0	29.1	15.00	12.20	40.0	25.4	8.20	7.30	3.32	2.62
YHE42B23S	TPLC100C16MP13C	21.0	CF48CBCA1	1150	40.0	29.1	14.75	12.20	40.0	25.4	8.20	7.30	3.32	2.60
YHE42B23S	TPLC100C16MP13C	21.0	CM48CBCA1	1150	40.0	29.1	14.75	12.20	40.0	25.4	8.20	7.30	3.32	2.60
YHE42B23S	TPLC100C16MP13C	21.0	CM48DBCA1	1150	40.0	29.1	15.00	12.20	40.0	25.4	8.20	7.30	3.32	2.62
YHE42B23S	TPLC100C20MP12C	21.0	CF/CM/CU48C	1150	40.0	29.1	15.00	12.25	40.0	25.4	8.20	7.25	3.34	2.62
YHE42B23S	TPLC100C20MP12C	21.0	CF/CM/CU48D	1150	40.5	29.6	15.00	12.25	40.0	25.2	8.20	7.30	3.34	2.64
YHE42B23S	TPLC100C20MP12C	21.0	CF48CBCA1	1150	40.0	29.1	15.00	12.25	40.0	25.4	8.20	7.25	3.34	2.62
YHE42B23S	TPLC100C20MP12C	21.0	CM48CBCA1	1150	40.0	29.1	15.00	12.25	40.0	25.4	8.20	7.25	3.34	2.62
YHE42B23S	TPLC100C20MP12C	21.0	CM48DBCA1	1150	40.5	29.6	15.00	12.25	40.0	25.2	8.20	7.30	3.34	2.64
YHE42B23S	TPLC100C20MP13C	21.0	CF/CM/CU48C	1150	40.0	29.1	15.00	12.25	40.0	25.4	8.20	7.25	3.34	2.62
YHE42B23S	TPLC100C20MP13C	21.0	CF/CM/CU48D	1150	40.5	29.6	15.00	12.25	40.0	25.2	8.20	7.30	3.34	2.64
YHE42B23S	TPLC100C20MP13C	21.0	CF48CBCA1	1150	40.0	29.1	15.00	12.25	40.0	25.4	8.20	7.25	3.34	2.62
YHE42B23S	TPLC100C20MP13C	21.0	CM48CBCA1	1150	40.0	29.1	15.00	12.25	40.0	25.4	8.20	7.25	3.34	2.62
YHE42B23S	TPLC100C20MP13C	21.0	CM48DBCA1	1150	40.5	29.6	15.00	12.25	40.0	25.2	8.20	7.30	3.34	2.64
YHE42B23S	TPLC120C20MP12C	21.0	CF/CM/CU48C	1150	40.0	29.1	15.00	12.25	40.0	25.4	8.20	7.25	3.34	2.62
YHE42B23S	TPLC120C20MP12C	21.0	CF/CM/CU48D	1150	40.5	29.6	15.00	12.25	40.0	25.2	8.20	7.30	3.34	2.64
YHE42B23S	TPLC120C20MP12C	21.0	CF48CBCA1	1150	40.0	29.1	15.00	12.25	40.0	25.4	8.20	7.25	3.34	2.62
YHE42B23S	TPLC120C20MP12C	21.0	CM48CBCA1	1150	40.0	29.1	15.00	12.25	40.0	25.4	8.20	7.25	3.34	2.62

SYSTEM CAPACITY - With High Efficiency Motor Furnaces¹

UNIT MODEL	FURNACE		COIL MODEL ²	COOLING					HEATING					
	MODEL	WIDTH		RATED CFM	NET MBH		SEER	EER	NET MBH		HSPF Region IV	HSPF Region V	COP	
					TOTAL	SENS.			47°F OD	17°F OD			47°F OD	17°F OD
YHE42B23S	TPLC120C20MP12C	21.0	CM48DBCA1	1150	40.5	29.6	15.00	12.25	40.0	25.2	8.20	7.30	3.34	2.64
YHE42B23S	TPLC120C20MP13C	21.0	CF/CM/CU48C	1150	40.0	29.1	15.00	12.25	40.0	25.4	8.20	7.25	3.34	2.62
YHE42B23S	TPLC120C20MP13C	21.0	CF/CM/CU48D	1150	40.5	29.6	15.00	12.25	40.0	25.2	8.20	7.30	3.34	2.64
YHE42B23S	TPLC120C20MP13C	21.0	CF48CBCA1	1150	40.0	29.1	15.00	12.25	40.0	25.4	8.20	7.25	3.34	2.62
YHE42B23S	TPLC120C20MP13C	21.0	CM48CBCA1	1150	40.0	29.1	15.00	12.25	40.0	25.4	8.20	7.25	3.34	2.62
YHE42B23S	TPLC120C20MP13C	21.0	CM48DBCA1	1150	40.5	29.6	15.00	12.25	40.0	25.2	8.20	7.30	3.34	2.64
YHE42B23S	YP9C080C16MP13C	21.0	CF/CM/CU48C	1225	40.5	30.3	14.50	11.75	40.5	25.6	8.20	7.30	3.32	2.58
YHE42B23S	YP9C080C16MP13C	21.0	CF/CM/CU48D	1225	40.5	30.3	14.50	11.75	40.0	25.6	8.20	7.25	3.34	2.60
YHE42B23S	YP9C080C16MP13C	21.0	CF48CBCA1	1225	40.5	30.3	14.50	11.75	40.5	25.6	8.20	7.30	3.32	2.58
YHE42B23S	YP9C080C16MP13C	21.0	CM48CBCA1	1225	40.5	30.3	14.50	11.75	40.5	25.6	8.20	7.30	3.32	2.58
YHE42B23S	YP9C080C16MP13C	21.0	CM48DBCA1	1225	40.5	30.3	14.50	11.75	40.0	25.6	8.20	7.25	3.34	2.60
YHE42B23S	YP9C100C16MP12C	21.0	CF/CM/CU48C	1175	40.0	29.4	15.00	12.20	40.0	25.4	8.20	7.30	3.34	2.62
YHE42B23S	YP9C100C16MP12C	21.0	CF/CM/CU48D	1175	40.0	29.4	15.00	12.20	40.0	25.4	8.20	7.25	3.34	2.62
YHE42B23S	YP9C100C16MP12C	21.0	CF48CBCA1	1175	40.0	29.4	15.00	12.20	40.0	25.4	8.20	7.30	3.34	2.62
YHE42B23S	YP9C100C16MP12C	21.0	CM48CBCA1	1175	40.0	29.4	15.00	12.20	40.0	25.4	8.20	7.30	3.34	2.62
YHE42B23S	YP9C100C16MP12C	21.0	CM48DBCA1	1175	40.0	29.4	15.00	12.20	40.0	25.4	8.20	7.25	3.34	2.62
YHE42B23S	YP9C100C16MP13C	21.0	CF/CM/CU48C	1175	40.0	29.4	15.00	12.20	40.0	25.4	8.20	7.30	3.34	2.62
YHE42B23S	YP9C100C16MP13C	21.0	CF/CM/CU48D	1175	40.0	29.4	15.00	12.20	40.0	25.4	8.20	7.25	3.34	2.62
YHE42B23S	YP9C100C16MP13C	21.0	CF48CBCA1	1175	40.0	29.4	15.00	12.20	40.0	25.4	8.20	7.30	3.34	2.62
YHE42B23S	YP9C100C16MP13C	21.0	CM48CBCA1	1175	40.0	29.4	15.00	12.20	40.0	25.4	8.20	7.30	3.34	2.62
YHE42B23S	YP9C100C16MP13C	21.0	CM48DBCA1	1175	40.0	29.4	15.00	12.20	40.0	25.4	8.20	7.25	3.34	2.62
YHE42B23S	YP9C100C20MP12C	21.0	CF/CM/CU48C	1225	40.5	30.3	14.75	12.20	40.0	25.4	8.20	7.25	3.36	2.62
YHE42B23S	YP9C100C20MP12C	21.0	CF/CM/CU48D	1225	40.5	30.3	15.00	12.20	40.0	25.4	8.20	7.30	3.36	2.62
YHE42B23S	YP9C100C20MP12C	21.0	CF48CBCA1	1225	40.5	30.3	14.75	12.20	40.0	25.4	8.20	7.25	3.36	2.62
YHE42B23S	YP9C100C20MP12C	21.0	CM48CBCA1	1225	40.5	30.3	14.75	12.20	40.0	25.4	8.20	7.25	3.36	2.62
YHE42B23S	YP9C100C20MP12C	21.0	CM48DBCA1	1225	40.5	30.3	15.00	12.20	40.0	25.4	8.20	7.30	3.36	2.62
YHE42B23S	YP9C100C20MP13C	21.0	CF/CM/CU48C	1225	40.5	30.3	14.75	12.20	40.0	25.4	8.20	7.25	3.36	2.62
YHE42B23S	YP9C100C20MP13C	21.0	CF/CM/CU48D	1225	40.5	30.3	15.00	12.20	40.0	25.4	8.20	7.30	3.36	2.62
YHE42B23S	YP9C100C20MP13C	21.0	CF48CBCA1	1225	40.5	30.3	14.75	12.20	40.0	25.4	8.20	7.25	3.36	2.62
YHE42B23S	YP9C100C20MP13C	21.0	CM48CBCA1	1225	40.5	30.3	14.75	12.20	40.0	25.4	8.20	7.25	3.36	2.62
YHE42B23S	YP9C100C20MP13C	21.0	CM48DBCA1	1225	40.5	30.3	15.00	12.20	40.0	25.4	8.20	7.30	3.36	2.62
YHE42B23S	YP9C120D20MP12C	24.5	CF/CM/CU48D	1200	40.5	30.1	15.00	12.25	40.0	25.4	8.20	7.25	3.38	2.64
YHE42B23S	YP9C120D20MP12C	24.5	CM48DBCA1	1200	40.5	30.1	15.00	12.25	40.0	25.4	8.20	7.25	3.38	2.64
YHE42B23S	YP9C120D20MP13C	24.5	CF/CM/CU48D	1200	40.5	30.1	15.00	12.25	40.0	25.4	8.20	7.25	3.38	2.64
YHE42B23S	YP9C120D20MP13C	24.5	CM48DBCA1	1200	40.5	30.1	15.00	12.25	40.0	25.4	8.20	7.25	3.38	2.64
YHE42B23S	YPLC080C16MP12C	21.0	CF/CM/CU48C	1150	40.0	29.1	14.75	12.20	40.0	25.4	8.20	7.30	3.32	2.60
YHE42B23S	YPLC080C16MP12C	21.0	CF/CM/CU48D	1150	40.0	29.1	15.00	12.20	40.0	25.4	8.20	7.30	3.32	2.62

SYSTEM CAPACITY - With High Efficiency Motor Furnaces¹

UNIT MODEL	FURNACE		COIL MODEL ²	COOLING					HEATING					
	MODEL	WIDTH		RATED CFM	NET MBH		SEER	EER	NET MBH		HSPF Region IV	HSPF Region V	COP	
					TOTAL	SENS.			47°F OD	17°F OD			47°F OD	17°F OD
YHE42B23S	YPLC080C16MP12C	21.0	CF48CBCA1	1150	40.0	29.1	14.75	12.20	40.0	25.4	8.20	7.30	3.32	2.60
YHE42B23S	YPLC080C16MP12C	21.0	CM48CBCA1	1150	40.0	29.1	14.75	12.20	40.0	25.4	8.20	7.30	3.32	2.60
YHE42B23S	YPLC080C16MP12C	21.0	CM48DBCA1	1150	40.0	29.1	15.00	12.20	40.0	25.4	8.20	7.30	3.32	2.62
YHE42B23S	YPLC080C16MP13C	21.0	CF/CM/CU48C	1150	40.0	29.1	14.75	12.20	40.0	25.4	8.20	7.30	3.32	2.60
YHE42B23S	YPLC080C16MP13C	21.0	CF/CM/CU48D	1150	40.0	29.1	15.00	12.20	40.0	25.4	8.20	7.30	3.32	2.62
YHE42B23S	YPLC080C16MP13C	21.0	CF48CBCA1	1150	40.0	29.1	14.75	12.20	40.0	25.4	8.20	7.30	3.32	2.60
YHE42B23S	YPLC080C16MP13C	21.0	CM48CBCA1	1150	40.0	29.1	14.75	12.20	40.0	25.4	8.20	7.30	3.32	2.60
YHE42B23S	YPLC080C16MP13C	21.0	CM48DBCA1	1150	40.0	29.1	15.00	12.20	40.0	25.4	8.20	7.30	3.32	2.62
YHE42B23S	YPLC100C16MP12C	21.0	CF/CM/CU48C	1150	40.0	29.1	14.75	12.20	40.0	25.4	8.20	7.30	3.32	2.60
YHE42B23S	YPLC100C16MP12C	21.0	CF/CM/CU48D	1150	40.0	29.1	15.00	12.20	40.0	25.4	8.20	7.30	3.32	2.62
YHE42B23S	YPLC100C16MP12C	21.0	CF48CBCA1	1150	40.0	29.1	14.75	12.20	40.0	25.4	8.20	7.30	3.32	2.60
YHE42B23S	YPLC100C16MP12C	21.0	CM48CBCA1	1150	40.0	29.1	14.75	12.20	40.0	25.4	8.20	7.30	3.32	2.60
YHE42B23S	YPLC100C16MP12C	21.0	CM48DBCA1	1150	40.0	29.1	15.00	12.20	40.0	25.4	8.20	7.30	3.32	2.62
YHE42B23S	YPLC100C16MP13C	21.0	CF/CM/CU48C	1150	40.0	29.1	14.75	12.20	40.0	25.4	8.20	7.30	3.32	2.60
YHE42B23S	YPLC100C16MP13C	21.0	CF/CM/CU48D	1150	40.0	29.1	15.00	12.20	40.0	25.4	8.20	7.30	3.32	2.62
YHE42B23S	YPLC100C16MP13C	21.0	CF48CBCA1	1150	40.0	29.1	14.75	12.20	40.0	25.4	8.20	7.30	3.32	2.60
YHE42B23S	YPLC100C16MP13C	21.0	CM48CBCA1	1150	40.0	29.1	14.75	12.20	40.0	25.4	8.20	7.30	3.32	2.60
YHE42B23S	YPLC100C16MP13C	21.0	CM48DBCA1	1150	40.0	29.1	15.00	12.20	40.0	25.4	8.20	7.30	3.32	2.62
YHE42B23S	YPLC100C20MP12C	21.0	CF/CM/CU48C	1150	40.0	29.1	15.00	12.25	40.0	25.4	8.20	7.25	3.34	2.62
YHE42B23S	YPLC100C20MP12C	21.0	CF/CM/CU48D	1150	40.5	29.6	15.00	12.25	40.0	25.2	8.20	7.30	3.34	2.64
YHE42B23S	YPLC100C20MP12C	21.0	CF48CBCA1	1150	40.0	29.1	15.00	12.25	40.0	25.4	8.20	7.25	3.34	2.62
YHE42B23S	YPLC100C20MP12C	21.0	CM48CBCA1	1150	40.0	29.1	15.00	12.25	40.0	25.4	8.20	7.25	3.34	2.62
YHE42B23S	YPLC100C20MP12C	21.0	CM48DBCA1	1150	40.5	29.6	15.00	12.25	40.0	25.2	8.20	7.30	3.34	2.64
YHE42B23S	YPLC100C20MP13C	21.0	CF/CM/CU48C	1150	40.0	29.1	15.00	12.25	40.0	25.4	8.20	7.25	3.34	2.62
YHE42B23S	YPLC100C20MP13C	21.0	CF/CM/CU48D	1150	40.5	29.6	15.00	12.25	40.0	25.2	8.20	7.30	3.34	2.64
YHE42B23S	YPLC100C20MP13C	21.0	CF48CBCA1	1150	40.0	29.1	15.00	12.25	40.0	25.4	8.20	7.25	3.34	2.62
YHE42B23S	YPLC100C20MP13C	21.0	CM48CBCA1	1150	40.0	29.1	15.00	12.25	40.0	25.4	8.20	7.25	3.34	2.62
YHE42B23S	YPLC100C20MP13C	21.0	CM48DBCA1	1150	40.5	29.6	15.00	12.25	40.0	25.2	8.20	7.30	3.34	2.64
YHE42B23S	YPLC120C20MP12C	21.0	CF/CM/CU48C	1150	40.0	29.1	15.00	12.25	40.0	25.4	8.20	7.25	3.34	2.62
YHE42B23S	YPLC120C20MP12C	21.0	CF/CM/CU48D	1150	40.5	29.6	15.00	12.25	40.0	25.2	8.20	7.30	3.34	2.64
YHE42B23S	YPLC120C20MP12C	21.0	CF48CBCA1	1150	40.0	29.1	15.00	12.25	40.0	25.4	8.20	7.25	3.34	2.62
YHE42B23S	YPLC120C20MP12C	21.0	CM48CBCA1	1150	40.0	29.1	15.00	12.25	40.0	25.4	8.20	7.25	3.34	2.62
YHE42B23S	YPLC120C20MP12C	21.0	CM48DBCA1	1150	40.5	29.6	15.00	12.25	40.0	25.2	8.20	7.30	3.34	2.64
YHE42B23S	YPLC120C20MP13C	21.0	CF/CM/CU48C	1150	40.0	29.1	15.00	12.25	40.0	25.4	8.20	7.25	3.34	2.62
YHE42B23S	YPLC120C20MP13C	21.0	CF/CM/CU48D	1150	40.5	29.6	15.00	12.25	40.0	25.2	8.20	7.30	3.34	2.64
YHE42B23S	YPLC120C20MP13C	21.0	CF48CBCA1	1150	40.0	29.1	15.00	12.25	40.0	25.4	8.20	7.25	3.34	2.62
YHE42B23S	YPLC120C20MP13C	21.0	CM48CBCA1	1150	40.0	29.1	15.00	12.25	40.0	25.4	8.20	7.25	3.34	2.62

SYSTEM CAPACITY - With High Efficiency Motor Furnaces¹

UNIT MODEL	FURNACE		COIL MODEL ²	COOLING					HEATING					
	MODEL	WIDTH		RATED CFM	NET MBH		SEER	EER	NET MBH		HSPF Region IV	HSPF Region V	COP	
					TOTAL	SENS.			47°F OD	17°F OD			47°F OD	17°F OD
YHE42B23S	YPLC120C20MP13C	21.0	CM48DBCA1	1150	40.5	29.6	15.00	12.25	40.0	25.2	8.20	7.30	3.34	2.64
YHE48B22S	TL8E080C16UH11	21.0	CF/CM/CU48C	1400	46.0	33.2	14.05	11.75	48.0	31.4	8.50	7.25	3.48	2.44
YHE48B22S	TL8E080C16UH11	21.0	CF/CM/CU48D	1400	46.0	33.2	14.05	12.00	48.0	31.4	8.50	7.25	3.48	2.44
YHE48B22S	TL8E080C16UH11	21.0	CF/CM/CU60C	1375	46.5	32.6	14.05	12.00	48.0	30.4	9.00	7.80	3.50	2.52
YHE48B22S	TL8E080C16UH11	21.0	CF/CM/CU60D	1400	46.5	32.8	14.25	12.00	48.0	30.6	9.00	7.80	3.52	2.54
YHE48B22S	TL8E080C16UH11	21.0	CF48CBCA1	1400	46.0	33.2	14.05	11.75	48.0	31.4	8.50	7.25	3.48	2.44
YHE48B22S	TL8E080C16UH11	21.0	CM48CBCA1	1400	46.0	33.2	14.05	11.75	48.0	31.4	8.50	7.25	3.48	2.44
YHE48B22S	TL8E080C16UH11	21.0	CM48DBCA1	1400	46.0	33.2	14.05	12.00	48.0	31.4	8.50	7.25	3.48	2.44
YHE48B22S	TL8E100C20UH11	21.0	CF/CM/CU48C	1400	46.5	33.7	14.25	12.00	48.0	31.2	9.00	7.75	3.50	2.46
YHE48B22S	TL8E100C20UH11	21.0	CF/CM/CU48D	1425	46.5	33.9	14.25	12.20	48.0	31.4	9.00	7.75	3.52	2.48
YHE48B22S	TL8E100C20UH11	21.0	CF/CM/CU60C	1400	46.5	32.8	14.50	12.20	48.0	30.4	9.00	7.75	3.56	2.56
YHE48B22S	TL8E100C20UH11	21.0	CF/CM/CU60D	1425	47.0	33.4	14.50	12.20	48.0	30.6	9.00	7.75	3.56	2.58
YHE48B22S	TL8E100C20UH11	21.0	CF48CBCA1	1400	46.5	33.7	14.25	12.00	48.0	31.2	9.00	7.75	3.50	2.46
YHE48B22S	TL8E100C20UH11	21.0	CM48CBCA1	1400	46.5	33.7	14.25	12.00	48.0	31.2	9.00	7.75	3.50	2.46
YHE48B22S	TL8E100C20UH11	21.0	CM48DBCA1	1425	46.5	33.9	14.25	12.20	48.0	31.4	9.00	7.75	3.52	2.48
YHE48B22S	TL9E080C16UH11	21.0	CF/CM/CU48C	1400	46.0	33.2	14.05	11.50	48.0	31.6	8.50	7.30	3.44	2.42
YHE48B22S	TL9E080C16UH11	21.0	CF/CM/CU48D	1400	46.0	33.2	14.05	11.50	48.0	31.6	8.50	7.25	3.44	2.42
YHE48B22S	TL9E080C16UH11	21.0	CF/CM/CU60C	1400	46.5	32.8	14.05	11.50	48.0	30.8	9.00	7.80	3.48	2.52
YHE48B22S	TL9E080C16UH11	21.0	CF/CM/CU60D	1425	46.5	32.9	14.05	12.00	48.0	31.0	9.00	7.80	3.50	2.54
YHE48B22S	TL9E080C16UH11	21.0	CF48CBCA1	1400	46.0	33.2	14.05	11.50	48.0	31.6	8.50	7.30	3.44	2.42
YHE48B22S	TL9E080C16UH11	21.0	CM48CBCA1	1400	46.0	33.2	14.05	11.50	48.0	31.6	8.50	7.30	3.44	2.42
YHE48B22S	TL9E080C16UH11	21.0	CM48DBCA1	1400	46.0	33.2	14.05	11.50	48.0	31.6	8.50	7.25	3.44	2.42
YHE48B22S	TL9E100C20UH11	21.0	CF/CM/CU48C	1400	46.0	33.2	14.25	12.00	48.0	31.4	8.50	7.25	3.50	2.46
YHE48B22S	TL9E100C20UH11	21.0	CF/CM/CU48D	1425	46.5	33.9	14.25	12.00	48.0	31.4	9.00	7.80	3.50	2.48
YHE48B22S	TL9E100C20UH11	21.0	CF/CM/CU60C	1400	46.5	32.8	14.25	12.20	48.0	30.6	9.00	7.80	3.54	2.54
YHE48B22S	TL9E100C20UH11	21.0	CF/CM/CU60D	1425	46.5	32.9	14.25	12.20	48.0	30.6	9.00	7.80	3.56	2.56
YHE48B22S	TL9E100C20UH11	21.0	CF48CBCA1	1400	46.0	33.2	14.25	12.00	48.0	31.4	8.50	7.25	3.50	2.46
YHE48B22S	TL9E100C20UH11	21.0	CM48CBCA1	1400	46.0	33.2	14.25	12.00	48.0	31.4	8.50	7.25	3.50	2.46
YHE48B22S	TL9E100C20UH11	21.0	CM48DBCA1	1425	46.5	33.9	14.25	12.00	48.0	31.4	9.00	7.80	3.50	2.48
YHE48B22S	TM8E080C16MP11	21.0	CF/CM/CU60C	1575	47.0	34.4	14.05	11.50	48.0	32.2	9.00	7.85	3.50	2.58
YHE48B22S	TM8E080C16MP11	21.0	CF/CM/CU60D	1600	47.0	34.6	14.05	11.50	48.0	32.4	9.00	7.90	3.52	2.62
YHE48B22S	TM8E080C20MP11	21.0	CF/CM/CU48C	1450	46.5	34.1	14.25	12.00	48.0	31.6	9.00	7.75	3.50	2.48
YHE48B22S	TM8E080C20MP11	21.0	CF/CM/CU48D	1475	46.5	34.2	14.25	12.00	48.0	31.8	9.00	7.80	3.52	2.50
YHE48B22S	TM8E080C20MP11	21.0	CF/CM/CU60C	1450	46.5	33.1	14.25	12.20	48.0	30.8	9.00	7.80	3.56	2.58
YHE48B22S	TM8E080C20MP11	21.0	CF/CM/CU60D	1475	47.0	33.7	14.50	12.20	48.0	31.0	9.00	7.80	3.56	2.60
YHE48B22S	TM8E080C20MP11	21.0	CF48CBCA1	1450	46.5	34.1	14.25	12.00	48.0	31.6	9.00	7.75	3.50	2.48
YHE48B22S	TM8E080C20MP11	21.0	CM48CBCA1	1450	46.5	34.1	14.25	12.00	48.0	31.6	9.00	7.75	3.50	2.48

SYSTEM CAPACITY - With High Efficiency Motor Furnaces¹

UNIT MODEL	FURNACE		COIL MODEL ²	COOLING					HEATING					
	MODEL	WIDTH		RATED CFM	NET MBH		SEER	EER	NET MBH		HSPF Region IV	HSPF Region V	COP	
					TOTAL	SENS.			47°F OD	17°F OD			47°F OD	17°F OD
YHE48B22S	TM8E080C20MP11	21.0	CM48DBCA1	1475	46.5	34.2	14.25	12.00	48.0	31.8	9.00	7.80	3.52	2.50
YHE48B22S	TM8E100C16MP11	21.0	CF/CM/CU60C	1575	47.0	34.4	14.05	11.50	48.0	32.2	9.00	7.85	3.50	2.58
YHE48B22S	TM8E100C16MP11	21.0	CF/CM/CU60D	1600	47.0	34.6	14.05	11.50	48.0	32.4	9.00	7.90	3.52	2.62
YHE48B22S	TM8E100C20MP11	21.0	CF/CM/CU48C	1425	46.5	33.9	14.25	12.00	48.0	31.4	9.00	7.80	3.50	2.48
YHE48B22S	TM8E100C20MP11	21.0	CF/CM/CU48D	1450	46.5	34.1	14.25	12.00	48.0	31.6	9.00	7.80	3.52	2.50
YHE48B22S	TM8E100C20MP11	21.0	CF/CM/CU60C	1425	46.5	32.9	14.25	12.20	48.0	30.6	9.00	7.80	3.54	2.56
YHE48B22S	TM8E100C20MP11	21.0	CF/CM/CU60D	1450	47.0	33.6	14.50	12.20	48.0	30.8	9.00	7.80	3.56	2.58
YHE48B22S	TM8E100C20MP11	21.0	CF48CBCA1	1425	46.5	33.9	14.25	12.00	48.0	31.4	9.00	7.80	3.50	2.48
YHE48B22S	TM8E100C20MP11	21.0	CM48CBCA1	1425	46.5	33.9	14.25	12.00	48.0	31.4	9.00	7.80	3.50	2.48
YHE48B22S	TM8E100C20MP11	21.0	CM48DBCA1	1450	46.5	34.1	14.25	12.00	48.0	31.6	9.00	7.80	3.52	2.50
YHE48B22S	TM8E120C16MP11	21.0	CF/CM/CU48D	1600	46.5	35.1	14.00	11.50	48.0	33.2	9.00	7.90	3.48	2.52
YHE48B22S	TM8E120C16MP11	21.0	CF/CM/CU60C	1575	47.0	34.4	14.05	11.50	48.0	32.2	9.00	7.90	3.50	2.60
YHE48B22S	TM8E120C16MP11	21.0	CF/CM/CU60D	1600	47.0	34.6	14.05	11.50	48.0	32.4	9.00	7.90	3.52	2.62
YHE48B22S	TM8E120C16MP11	21.0	CM48DBCA1	1600	46.5	35.1	14.00	11.50	48.0	33.2	9.00	7.90	3.48	2.52
YHE48B22S	TM8E120C20MP11	21.0	CF/CM/CU48C	1425	46.5	33.9	14.25	12.00	48.0	31.4	9.00	7.80	3.50	2.48
YHE48B22S	TM8E120C20MP11	21.0	CF/CM/CU48D	1450	46.5	34.1	14.25	12.00	48.0	31.6	9.00	7.80	3.52	2.50
YHE48B22S	TM8E120C20MP11	21.0	CF/CM/CU60C	1425	46.5	32.9	14.25	12.20	48.0	30.6	9.00	7.80	3.54	2.56
YHE48B22S	TM8E120C20MP11	21.0	CF/CM/CU60D	1450	47.0	33.6	14.50	12.20	48.0	30.8	9.00	7.80	3.56	2.58
YHE48B22S	TM8E120C20MP11	21.0	CF48CBCA1	1425	46.5	33.9	14.25	12.00	48.0	31.4	9.00	7.80	3.50	2.48
YHE48B22S	TM8E120C20MP11	21.0	CM48CBCA1	1425	46.5	33.9	14.25	12.00	48.0	31.4	9.00	7.80	3.50	2.48
YHE48B22S	TM8E120C20MP11	21.0	CM48DBCA1	1450	46.5	34.1	14.25	12.00	48.0	31.6	9.00	7.80	3.52	2.50
YHE48B22S	TM8E130D20MP11	24.5	CF/CM/CU48D	1425	46.5	33.9	14.25	12.20	48.0	31.4	9.00	7.75	3.52	2.48
YHE48B22S	TM8E130D20MP11	24.5	CF/CM/CU60D	1450	47.0	33.6	14.50	12.20	48.0	30.8	9.00	7.75	3.58	2.60
YHE48B22S	TM8E130D20MP11	24.5	CM48DBCA1	1425	46.5	33.9	14.25	12.20	48.0	31.4	9.00	7.75	3.52	2.48
YHE48B22S	TM8V080C16MP11C	21.0	CF/CM/CU48C	1325	45.5	30.8	14.00	11.75	47.5	31.4	9.00	-	3.50	2.60
YHE48B22S	TM8V080C16MP11C	21.0	CF/CM/CU48D	1300	45.5	30.6	14.25	11.75	47.5	31.4	9.00	-	3.50	2.60
YHE48B22S	TM8V080C16MP11C	21.0	CF/CM/CU60C	1325	46.5	31.2	14.50	12.00	47.5	31.2	9.00	-	3.50	2.58
YHE48B22S	TM8V080C16MP11C	21.0	CF48CBCA1	1325	45.5	30.8	14.00	11.75	47.5	31.4	9.00	-	3.50	2.60
YHE48B22S	TM8V080C16MP11C	21.0	CM48CBCA1	1325	45.5	30.8	14.00	11.75	47.5	31.4	9.00	-	3.50	2.60
YHE48B22S	TM8V080C16MP11C	21.0	CM48DBCA1	1300	45.5	30.6	14.25	11.75	47.5	31.4	9.00	-	3.50	2.60
YHE48B22S	TM8V080C16MP12C	21.0	CF/CM/CU48C	1325	45.5	30.8	14.00	11.75	47.5	31.4	9.00	-	3.50	2.60
YHE48B22S	TM8V080C16MP12C	21.0	CF/CM/CU48D	1300	45.5	30.6	14.25	11.75	47.5	31.4	9.00	-	3.50	2.60
YHE48B22S	TM8V080C16MP12C	21.0	CF/CM/CU60C	1325	46.5	31.2	14.50	12.00	47.5	31.2	9.00	-	3.50	2.58
YHE48B22S	TM8V080C16MP12C	21.0	CF48CBCA1	1325	45.5	30.8	14.00	11.75	47.5	31.4	9.00	-	3.50	2.60
YHE48B22S	TM8V080C16MP12C	21.0	CM48CBCA1	1325	45.5	30.8	14.00	11.75	47.5	31.4	9.00	-	3.50	2.60
YHE48B22S	TM8V080C16MP12C	21.0	CM48DBCA1	1300	45.5	30.6	14.25	11.75	47.5	31.4	9.00	-	3.50	2.60
YHE48B22S	TM8V100C16MP11C	21.0	CF/CM/CU48C	1325	45.5	30.8	14.00	11.75	47.5	31.4	9.00	-	3.50	2.60

SYSTEM CAPACITY - With High Efficiency Motor Furnaces¹

UNIT MODEL	FURNACE		COIL MODEL ²	COOLING					HEATING					
	MODEL	WIDTH		RATED CFM	NET MBH		SEER	EER	NET MBH		HSPF Region IV	HSPF Region V	COP	
					TOTAL	SENS.			47°F OD	17°F OD			47°F OD	17°F OD
YHE48B22S	TM8V100C16MP11C	21.0	CF/CM/CU48D	1300	45.5	30.6	14.25	11.75	47.5	31.4	9.00	-	3.50	2.60
YHE48B22S	TM8V100C16MP11C	21.0	CF/CM/CU60C	1325	46.5	31.2	14.50	12.00	47.5	31.2	9.00	-	3.50	2.58
YHE48B22S	TM8V100C16MP11C	21.0	CF48CBCA1	1325	45.5	30.8	14.00	11.75	47.5	31.4	9.00	-	3.50	2.60
YHE48B22S	TM8V100C16MP11C	21.0	CM48CBCA1	1325	45.5	30.8	14.00	11.75	47.5	31.4	9.00	-	3.50	2.60
YHE48B22S	TM8V100C16MP11C	21.0	CM48DBCA1	1300	45.5	30.6	14.25	11.75	47.5	31.4	9.00	-	3.50	2.60
YHE48B22S	TM8V100C16MP12C	21.0	CF/CM/CU48C	1325	45.5	30.8	14.00	11.75	47.5	31.4	9.00	-	3.50	2.60
YHE48B22S	TM8V100C16MP12C	21.0	CF/CM/CU48D	1300	45.5	30.6	14.25	11.75	47.5	31.4	9.00	-	3.50	2.60
YHE48B22S	TM8V100C16MP12C	21.0	CF/CM/CU60C	1325	46.5	31.2	14.50	12.00	47.5	31.2	9.00	-	3.50	2.58
YHE48B22S	TM8V100C16MP12C	21.0	CF48CBCA1	1325	45.5	30.8	14.00	11.75	47.5	31.4	9.00	-	3.50	2.60
YHE48B22S	TM8V100C16MP12C	21.0	CM48CBCA1	1325	45.5	30.8	14.00	11.75	47.5	31.4	9.00	-	3.50	2.60
YHE48B22S	TM8V100C16MP12C	21.0	CM48DBCA1	1300	45.5	30.6	14.25	11.75	47.5	31.4	9.00	-	3.50	2.60
YHE48B22S	TM8V100C20MP11C	21.0	CF/CM/CU48C	1300	45.5	30.6	14.00	11.75	47.5	31.4	9.00	-	3.50	2.60
YHE48B22S	TM8V100C20MP11C	21.0	CF/CM/CU60C	1400	46.5	32.0	14.25	12.00	48.0	31.4	9.00	-	3.54	2.60
YHE48B22S	TM8V100C20MP11C	21.0	CF/CM/CU60D	1350	46.5	32.0	14.25	12.00	47.5	31.4	9.00	-	3.56	2.60
YHE48B22S	TM8V100C20MP11C	21.0	CF48CBCA1	1300	45.5	30.6	14.00	11.75	47.5	31.4	9.00	-	3.50	2.60
YHE48B22S	TM8V100C20MP11C	21.0	CM48CBCA1	1300	45.5	30.6	14.00	11.75	47.5	31.4	9.00	-	3.50	2.60
YHE48B22S	TM8V100C20MP12C	21.0	CF/CM/CU48C	1300	45.5	30.6	14.00	11.75	47.5	31.4	9.00	-	3.50	2.60
YHE48B22S	TM8V100C20MP12C	21.0	CF/CM/CU60C	1400	46.5	32.0	14.25	12.00	48.0	31.4	9.00	-	3.54	2.60
YHE48B22S	TM8V100C20MP12C	21.0	CF/CM/CU60D	1350	46.5	32.0	14.25	12.00	47.5	31.4	9.00	-	3.56	2.60
YHE48B22S	TM8V100C20MP12C	21.0	CF48CBCA1	1300	45.5	30.6	14.00	11.75	47.5	31.4	9.00	-	3.50	2.60
YHE48B22S	TM8V100C20MP12C	21.0	CM48CBCA1	1300	45.5	30.6	14.00	11.75	47.5	31.4	9.00	-	3.50	2.60
YHE48B22S	TM8V120C20MP11C	21.0	CF/CM/CU48C	1300	45.5	30.6	14.00	11.75	47.5	31.4	9.00	-	3.50	2.60
YHE48B22S	TM8V120C20MP11C	21.0	CF/CM/CU60C	1400	46.5	32.0	14.25	12.00	48.0	31.4	9.00	-	3.54	2.60
YHE48B22S	TM8V120C20MP11C	21.0	CF/CM/CU60D	1350	46.5	32.0	14.25	12.00	47.5	31.4	9.00	-	3.56	2.60
YHE48B22S	TM8V120C20MP11C	21.0	CF48CBCA1	1300	45.5	30.6	14.00	11.75	47.5	31.4	9.00	-	3.50	2.60
YHE48B22S	TM8V120C20MP11C	21.0	CM48CBCA1	1300	45.5	30.6	14.00	11.75	47.5	31.4	9.00	-	3.50	2.60
YHE48B22S	TM8V120C20MP12C	21.0	CF/CM/CU48C	1300	45.5	30.6	14.00	11.75	47.5	31.4	9.00	-	3.50	2.60
YHE48B22S	TM8V120C20MP12C	21.0	CF/CM/CU60C	1400	46.5	32.0	14.25	12.00	48.0	31.4	9.00	-	3.54	2.60
YHE48B22S	TM8V120C20MP12C	21.0	CF/CM/CU60D	1350	46.5	32.0	14.25	12.00	47.5	31.4	9.00	-	3.56	2.60
YHE48B22S	TM8V120C20MP12C	21.0	CF48CBCA1	1300	45.5	30.6	14.00	11.75	47.5	31.4	9.00	-	3.50	2.60
YHE48B22S	TM8V120C20MP12C	21.0	CM48CBCA1	1300	45.5	30.6	14.00	11.75	47.5	31.4	9.00	-	3.50	2.60
YHE48B22S	TM8X080C16MP11	21.0	CF/CM/CU48C	1400	46.0	31.6	14.00	11.75	48.0	31.6	9.00	-	3.54	2.62
YHE48B22S	TM8X080C16MP11	21.0	CF/CM/CU48D	1400	46.0	31.6	14.00	11.75	48.0	31.6	9.00	-	3.54	2.60
YHE48B22S	TM8X080C16MP11	21.0	CF/CM/CU60C	1400	46.5	32.0	14.25	12.00	48.0	31.4	9.00	-	3.54	2.60
YHE48B22S	TM8X080C16MP11	21.0	CF/CM/CU60D	1400	46.5	32.0	14.25	12.00	48.0	31.4	9.00	-	3.54	2.60
YHE48B22S	TM8X080C16MP11	21.0	CF48CBCA1	1400	46.0	31.6	14.00	11.75	48.0	31.6	9.00	-	3.54	2.62
YHE48B22S	TM8X080C16MP11	21.0	CM48CBCA1	1400	46.0	31.6	14.00	11.75	48.0	31.6	9.00	-	3.54	2.62

SYSTEM CAPACITY - With High Efficiency Motor Furnaces¹

UNIT MODEL	FURNACE		COIL MODEL ²	COOLING					HEATING					
	MODEL	WIDTH		RATED CFM	NET MBH		SEER	EER	NET MBH		HSPF Region IV	HSPF Region V	COP	
					TOTAL	SENS.			47°F OD	17°F OD			47°F OD	17°F OD
YHE48B22S	TM8X080C16MP11	21.0	CM48DBCA1	1400	46.0	31.6	14.00	11.75	48.0	31.6	9.00	-	3.54	2.60
YHE48B22S	TM8X100C16MP11	21.0	CF/CM/CU48C	1400	46.0	31.6	14.00	11.75	48.0	31.6	9.00	-	3.54	2.62
YHE48B22S	TM8X100C16MP11	21.0	CF/CM/CU48D	1400	46.0	31.6	14.00	11.75	48.0	31.6	9.00	-	3.54	2.60
YHE48B22S	TM8X100C16MP11	21.0	CF/CM/CU60C	1400	46.5	32.0	14.25	12.00	48.0	31.4	9.00	-	3.54	2.60
YHE48B22S	TM8X100C16MP11	21.0	CF/CM/CU60D	1400	46.5	32.0	14.25	12.00	48.0	31.4	9.00	-	3.54	2.60
YHE48B22S	TM8X100C16MP11	21.0	CF48CBCA1	1400	46.0	31.6	14.00	11.75	48.0	31.6	9.00	-	3.54	2.62
YHE48B22S	TM8X100C16MP11	21.0	CM48CBCA1	1400	46.0	31.6	14.00	11.75	48.0	31.6	9.00	-	3.54	2.62
YHE48B22S	TM8X100C16MP11	21.0	CM48DBCA1	1400	46.0	31.6	14.00	11.75	48.0	31.6	9.00	-	3.54	2.60
YHE48B22S	TM8X100C20MP11	21.0	CF/CM/CU48C	1400	46.0	31.8	14.00	11.75	48.0	31.6	9.00	-	3.56	2.62
YHE48B22S	TM8X100C20MP11	21.0	CF/CM/CU48D	1400	46.0	31.8	14.00	11.75	48.0	31.6	9.00	-	3.56	2.62
YHE48B22S	TM8X100C20MP11	21.0	CF/CM/CU60C	1400	46.5	32.0	14.25	12.00	47.5	31.4	9.00	-	3.54	2.60
YHE48B22S	TM8X100C20MP11	21.0	CF/CM/CU60D	1400	46.5	32.0	14.25	12.00	47.5	31.4	9.00	-	3.54	2.60
YHE48B22S	TM8X100C20MP11	21.0	CF48CBCA1	1400	46.0	31.8	14.00	11.75	48.0	31.6	9.00	-	3.56	2.62
YHE48B22S	TM8X100C20MP11	21.0	CM48CBCA1	1400	46.0	31.8	14.00	11.75	48.0	31.6	9.00	-	3.56	2.62
YHE48B22S	TM8X100C20MP11	21.0	CM48DBCA1	1400	46.0	31.8	14.00	11.75	48.0	31.6	9.00	-	3.56	2.62
YHE48B22S	TM8X120C20MP11	21.0	CF/CM/CU48C	1400	46.0	31.8	14.00	11.75	48.0	31.6	9.00	-	3.56	2.62
YHE48B22S	TM8X120C20MP11	21.0	CF/CM/CU48D	1400	46.0	31.8	14.00	11.75	48.0	31.6	9.00	-	3.56	2.62
YHE48B22S	TM8X120C20MP11	21.0	CF/CM/CU60C	1400	46.5	32.0	14.25	12.00	47.5	31.4	9.00	-	3.54	2.60
YHE48B22S	TM8X120C20MP11	21.0	CF/CM/CU60D	1400	46.5	32.0	14.25	12.00	47.5	31.4	9.00	-	3.54	2.60
YHE48B22S	TM8X120C20MP11	21.0	CF48CBCA1	1400	46.0	31.8	14.00	11.75	48.0	31.6	9.00	-	3.56	2.62
YHE48B22S	TM8X120C20MP11	21.0	CM48CBCA1	1400	46.0	31.8	14.00	11.75	48.0	31.6	9.00	-	3.56	2.62
YHE48B22S	TM8X120C20MP11	21.0	CM48DBCA1	1400	46.0	31.8	14.00	11.75	48.0	31.6	9.00	-	3.56	2.62
YHE48B22S	TM8Y080C16MP11	21.0	CF/CM/CU48C	1400	46.0	31.6	14.00	11.75	48.0	31.6	9.00	-	3.54	2.62
YHE48B22S	TM8Y080C16MP11	21.0	CF/CM/CU48D	1400	46.0	31.6	14.00	11.75	48.0	31.6	9.00	-	3.54	2.60
YHE48B22S	TM8Y080C16MP11	21.0	CF/CM/CU60C	1400	46.5	32.0	14.25	12.00	48.0	31.4	9.00	-	3.54	2.60
YHE48B22S	TM8Y080C16MP11	21.0	CF/CM/CU60D	1400	46.5	32.0	14.25	12.00	48.0	31.4	9.00	-	3.54	2.60
YHE48B22S	TM8Y080C16MP11	21.0	CF48CBCA1	1400	46.0	31.6	14.00	11.75	48.0	31.6	9.00	-	3.54	2.62
YHE48B22S	TM8Y080C16MP11	21.0	CM48CBCA1	1400	46.0	31.6	14.00	11.75	48.0	31.6	9.00	-	3.54	2.62
YHE48B22S	TM8Y080C16MP11	21.0	CM48DBCA1	1400	46.0	31.6	14.00	11.75	48.0	31.6	9.00	-	3.54	2.60
YHE48B22S	TM8Y100C16MP11	21.0	CF/CM/CU48C	1400	46.0	31.6	14.00	11.75	48.0	31.6	9.00	-	3.54	2.62
YHE48B22S	TM8Y100C16MP11	21.0	CF/CM/CU48D	1400	46.0	31.6	14.00	11.75	48.0	31.6	9.00	-	3.54	2.60
YHE48B22S	TM8Y100C16MP11	21.0	CF/CM/CU60C	1400	46.5	32.0	14.25	12.00	48.0	31.4	9.00	-	3.54	2.60
YHE48B22S	TM8Y100C16MP11	21.0	CF/CM/CU60D	1400	46.5	32.0	14.25	12.00	48.0	31.4	9.00	-	3.54	2.60
YHE48B22S	TM8Y100C16MP11	21.0	CF48CBCA1	1400	46.0	31.6	14.00	11.75	48.0	31.6	9.00	-	3.54	2.62
YHE48B22S	TM8Y100C16MP11	21.0	CM48CBCA1	1400	46.0	31.6	14.00	11.75	48.0	31.6	9.00	-	3.54	2.62
YHE48B22S	TM8Y100C16MP11	21.0	CM48DBCA1	1400	46.0	31.6	14.00	11.75	48.0	31.6	9.00	-	3.54	2.60
YHE48B22S	TM8Y100C20MP11	21.0	CF/CM/CU48C	1400	46.0	31.8	14.00	11.75	48.0	31.6	9.00	-	3.56	2.62

SYSTEM CAPACITY - With High Efficiency Motor Furnaces¹

UNIT MODEL	FURNACE		COIL MODEL ²	COOLING					HEATING					
	MODEL	WIDTH		RATED CFM	NET MBH		SEER	EER	NET MBH		HSPF Region IV	HSPF Region V	COP	
					TOTAL	SENS.			47°F OD	17°F OD			47°F OD	17°F OD
YHE48B22S	TM8Y100C20MP11	21.0	CF/CM/CU48D	1400	46.0	31.8	14.00	11.75	48.0	31.6	9.00	-	3.56	2.62
YHE48B22S	TM8Y100C20MP11	21.0	CF/CM/CU60C	1400	46.5	32.0	14.25	12.00	47.5	31.4	9.00	-	3.54	2.60
YHE48B22S	TM8Y100C20MP11	21.0	CF/CM/CU60D	1400	46.5	32.0	14.25	12.00	47.5	31.4	9.00	-	3.54	2.60
YHE48B22S	TM8Y100C20MP11	21.0	CF48CBCA1	1400	46.0	31.8	14.00	11.75	48.0	31.6	9.00	-	3.56	2.62
YHE48B22S	TM8Y100C20MP11	21.0	CM48CBCA1	1400	46.0	31.8	14.00	11.75	48.0	31.6	9.00	-	3.56	2.62
YHE48B22S	TM8Y100C20MP11	21.0	CM48DBC A1	1400	46.0	31.8	14.00	11.75	48.0	31.6	9.00	-	3.56	2.62
YHE48B22S	TM8Y120C20MP11	21.0	CF/CM/CU48C	1400	46.0	31.8	14.00	11.75	48.0	31.6	9.00	-	3.56	2.62
YHE48B22S	TM8Y120C20MP11	21.0	CF/CM/CU48D	1400	46.0	31.8	14.00	11.75	48.0	31.6	9.00	-	3.56	2.62
YHE48B22S	TM8Y120C20MP11	21.0	CF/CM/CU60C	1400	46.5	32.0	14.25	12.00	47.5	31.4	9.00	-	3.54	2.60
YHE48B22S	TM8Y120C20MP11	21.0	CF/CM/CU60D	1400	46.5	32.0	14.25	12.00	47.5	31.4	9.00	-	3.54	2.60
YHE48B22S	TM8Y120C20MP11	21.0	CF48CBCA1	1400	46.0	31.8	14.00	11.75	48.0	31.6	9.00	-	3.56	2.62
YHE48B22S	TM8Y120C20MP11	21.0	CM48CBCA1	1400	46.0	31.8	14.00	11.75	48.0	31.6	9.00	-	3.56	2.62
YHE48B22S	TM8Y120C20MP11	21.0	CM48DBC A1	1400	46.0	31.8	14.00	11.75	48.0	31.6	9.00	-	3.56	2.62
YHE48B22S	TM9E080C20MP12	21.0	CF/CM/CU48C	1400	46.0	33.2	14.25	12.00	48.0	31.2	9.00	7.75	3.50	2.46
YHE48B22S	TM9E080C20MP12	21.0	CF/CM/CU48D	1425	46.5	33.9	14.25	12.00	48.0	31.4	9.00	7.75	3.52	2.48
YHE48B22S	TM9E080C20MP12	21.0	CF/CM/CU60C	1400	46.5	32.8	14.25	12.20	48.0	30.4	9.00	7.80	3.54	2.56
YHE48B22S	TM9E080C20MP12	21.0	CF/CM/CU60D	1425	46.5	32.9	14.50	12.20	48.0	30.6	9.00	7.80	3.56	2.58
YHE48B22S	TM9E080C20MP12	21.0	CF48CBCA1	1400	46.0	33.2	14.25	12.00	48.0	31.2	9.00	7.75	3.50	2.46
YHE48B22S	TM9E080C20MP12	21.0	CM48CBCA1	1400	46.0	33.2	14.25	12.00	48.0	31.2	9.00	7.75	3.50	2.46
YHE48B22S	TM9E080C20MP12	21.0	CM48DBC A1	1425	46.5	33.9	14.25	12.00	48.0	31.4	9.00	7.75	3.52	2.48
YHE48B22S	TM9E100C16MP11	21.0	CF/CM/CU48C	1325	45.5	30.8	14.00	11.75	47.5	31.6	9.00	-	3.48	2.58
YHE48B22S	TM9E100C16MP11	21.0	CF/CM/CU60C	1325	46.0	31.0	14.25	11.75	47.5	31.4	9.00	-	3.48	2.56
YHE48B22S	TM9E100C16MP11	21.0	CF/CM/CU60D	1325	46.0	31.0	14.25	11.75	47.5	31.4	9.00	-	3.48	2.58
YHE48B22S	TM9E100C16MP11	21.0	CF48CBCA1	1325	45.5	30.8	14.00	11.75	47.5	31.6	9.00	-	3.48	2.58
YHE48B22S	TM9E100C16MP11	21.0	CM48CBCA1	1325	45.5	30.8	14.00	11.75	47.5	31.6	9.00	-	3.48	2.58
YHE48B22S	TM9E100C20MP11	21.0	CF/CM/CU48C	1400	46.0	31.8	14.00	11.75	48.0	31.6	9.00	-	3.54	2.62
YHE48B22S	TM9E100C20MP11	21.0	CF/CM/CU48D	1400	46.0	31.6	14.00	11.75	48.0	31.6	9.00	-	3.54	2.62
YHE48B22S	TM9E100C20MP11	21.0	CF/CM/CU60C	1400	46.5	32.0	14.25	12.00	47.5	31.4	9.00	-	3.54	2.60
YHE48B22S	TM9E100C20MP11	21.0	CF/CM/CU60D	1400	46.5	32.0	14.25	12.00	47.5	31.4	9.00	-	3.54	2.60
YHE48B22S	TM9E100C20MP11	21.0	CF48CBCA1	1400	46.0	31.8	14.00	11.75	48.0	31.6	9.00	-	3.54	2.62
YHE48B22S	TM9E100C20MP11	21.0	CM48CBCA1	1400	46.0	31.8	14.00	11.75	48.0	31.6	9.00	-	3.54	2.62
YHE48B22S	TM9E100C20MP11	21.0	CM48DBC A1	1400	46.0	31.6	14.00	11.75	48.0	31.6	9.00	-	3.54	2.62
YHE48B22S	TM9E100C20MP12	21.0	CF/CM/CU48C	1400	46.0	33.2	14.25	12.00	48.0	31.2	9.00	7.75	3.50	2.46
YHE48B22S	TM9E100C20MP12	21.0	CF/CM/CU48D	1425	46.5	33.9	14.25	12.20	48.0	31.4	9.00	7.75	3.52	2.48
YHE48B22S	TM9E100C20MP12	21.0	CF/CM/CU60C	1400	46.5	32.8	14.50	12.20	48.0	30.4	9.00	7.80	3.54	2.56
YHE48B22S	TM9E100C20MP12	21.0	CF/CM/CU60D	1425	46.5	32.9	14.50	12.20	48.0	30.6	9.00	7.75	3.56	2.58
YHE48B22S	TM9E100C20MP12	21.0	CF48CBCA1	1400	46.0	33.2	14.25	12.00	48.0	31.2	9.00	7.75	3.50	2.46

SYSTEM CAPACITY - With High Efficiency Motor Furnaces¹

UNIT MODEL	FURNACE		COIL MODEL ²	COOLING					HEATING					
	MODEL	WIDTH		RATED CFM	NET MBH		SEER	EER	NET MBH		HSPF Region IV	HSPF Region V	COP	
					TOTAL	SENS.			47°F OD	17°F OD			47°F OD	17°F OD
YHE48B22S	TM9E100C20MP12	21.0	CM48CBCA1	1400	46.0	33.2	14.25	12.00	48.0	31.2	9.00	7.75	3.50	2.46
YHE48B22S	TM9E100C20MP12	21.0	CM48DBCA1	1425	46.5	33.9	14.25	12.20	48.0	31.4	9.00	7.75	3.52	2.48
YHE48B22S	TM9E120D20MP11	24.5	CF/CM/CU48D	1400	46.0	31.8	14.25	11.75	48.0	31.6	9.00	-	3.56	2.62
YHE48B22S	TM9E120D20MP11	24.5	CF/CM/CU60D	1400	47.0	32.2	14.50	12.00	47.5	31.4	9.00	-	3.56	2.62
YHE48B22S	TM9E120D20MP11	24.5	CM48DBCA1	1400	46.0	31.8	14.25	11.75	48.0	31.6	9.00	-	3.56	2.62
YHE48B22S	TM9E120D20MP12	24.5	CF/CM/CU48D	1450	46.5	34.1	14.25	12.00	48.0	31.8	9.00	7.75	3.50	2.48
YHE48B22S	TM9E120D20MP12	24.5	CF/CM/CU60D	1450	46.5	33.1	14.25	12.20	48.0	30.8	9.00	7.80	3.54	2.58
YHE48B22S	TM9E120D20MP12	24.5	CM48DBCA1	1450	46.5	34.1	14.25	12.00	48.0	31.8	9.00	7.75	3.50	2.48
YHE48B22S	TM9V080C16MP11C	21.0	CF/CM/CU48C	1425	46.0	31.6	14.00	11.75	48.0	31.8	9.00	-	3.52	2.60
YHE48B22S	TM9V080C16MP11C	21.0	CF/CM/CU48D	1425	46.0	31.8	14.25	12.00	47.5	31.4	9.00	-	3.58	2.64
YHE48B22S	TM9V080C16MP11C	21.0	CF/CM/CU60C	1450	46.5	32.0	14.00	11.75	48.0	31.6	8.75	-	3.50	2.56
YHE48B22S	TM9V080C16MP11C	21.0	CF48CBCA1	1425	46.0	31.6	14.00	11.75	48.0	31.8	9.00	-	3.52	2.60
YHE48B22S	TM9V100C16MP11C	21.0	CF/CM/CU48C	1425	46.0	31.6	14.00	11.75	48.0	31.8	9.00	-	3.52	2.60
YHE48B22S	TM9V100C16MP11C	21.0	CF/CM/CU48D	1425	46.0	31.8	14.25	12.00	47.5	31.4	9.00	-	3.58	2.64
YHE48B22S	TM9V100C16MP11C	21.0	CF/CM/CU60C	1450	46.5	32.0	14.00	11.75	48.0	31.6	8.75	-	3.50	2.56
YHE48B22S	TM9V100C16MP11C	21.0	CF48CBCA1	1425	46.0	31.6	14.00	11.75	48.0	31.8	9.00	-	3.52	2.60
YHE48B22S	TM9V100C16MP11C	21.0	CM48CBCA1	1425	46.0	31.6	14.00	11.75	48.0	31.8	9.00	-	3.52	2.60
YHE48B22S	TM9V100C16MP11C	21.0	CM48DBCA1	1425	46.0	31.8	14.25	12.00	47.5	31.4	9.00	-	3.58	2.64
YHE48B22S	TM9V100C16MP12C	21.0	CF/CM/CU48C	1425	46.0	31.6	14.00	11.75	48.0	31.8	9.00	-	3.52	2.60
YHE48B22S	TM9V100C16MP12C	21.0	CF/CM/CU48D	1425	46.0	31.8	14.25	12.00	47.5	31.4	9.00	-	3.58	2.64
YHE48B22S	TM9V100C16MP12C	21.0	CF/CM/CU60C	1450	46.5	32.0	14.00	11.75	48.0	31.6	8.75	-	3.50	2.56
YHE48B22S	TM9V100C16MP12C	21.0	CF48CBCA1	1425	46.0	31.6	14.00	11.75	48.0	31.8	9.00	-	3.52	2.60
YHE48B22S	TM9V100C16MP12C	21.0	CM48CBCA1	1425	46.0	31.6	14.00	11.75	48.0	31.8	9.00	-	3.52	2.60
YHE48B22S	TM9V100C16MP12C	21.0	CM48DBCA1	1425	46.0	31.8	14.25	12.00	47.5	31.4	9.00	-	3.58	2.64
YHE48B22S	TM9V100C20MP11C	21.0	CF/CM/CU48C	1275	45.5	30.2	14.00	11.75	47.5	31.4	9.00	-	3.46	2.58
YHE48B22S	TM9V100C20MP11C	21.0	CF/CM/CU48D	1300	45.5	30.6	14.25	11.75	47.5	31.4	9.00	-	3.50	2.60
YHE48B22S	TM9V100C20MP11C	21.0	CF/CM/CU60C	1450	46.5	31.8	14.00	11.75	48.0	31.6	8.75	-	3.50	2.56
YHE48B22S	TM9V100C20MP11C	21.0	CF48CBCA1	1275	45.5	30.2	14.00	11.75	47.5	31.4	9.00	-	3.46	2.58
YHE48B22S	TM9V100C20MP11C	21.0	CM48CBCA1	1275	45.5	30.2	14.00	11.75	47.5	31.4	9.00	-	3.46	2.58
YHE48B22S	TM9V100C20MP11C	21.0	CM48DBCA1	1300	45.5	30.6	14.25	11.75	47.5	31.4	9.00	-	3.50	2.60
YHE48B22S	TM9V100C20MP12C	21.0	CF/CM/CU48C	1275	45.5	30.2	14.00	11.75	47.5	31.4	9.00	-	3.46	2.58
YHE48B22S	TM9V100C20MP12C	21.0	CF/CM/CU48D	1300	45.5	30.6	14.25	11.75	47.5	31.4	9.00	-	3.50	2.60
YHE48B22S	TM9V100C20MP12C	21.0	CF/CM/CU60C	1450	46.5	31.8	14.00	11.75	48.0	31.6	8.75	-	3.50	2.56
YHE48B22S	TM9V100C20MP12C	21.0	CF48CBCA1	1275	45.5	30.2	14.00	11.75	47.5	31.4	9.00	-	3.46	2.58
YHE48B22S	TM9V100C20MP12C	21.0	CM48CBCA1	1275	45.5	30.2	14.00	11.75	47.5	31.4	9.00	-	3.46	2.58
YHE48B22S	TM9V100C20MP12C	21.0	CM48DBCA1	1300	45.5	30.6	14.25	11.75	47.5	31.4	9.00	-	3.50	2.60
YHE48B22S	TM9V120D20MP11C	24.5	CF/CM/CU60D	1425	46.5	32.2	14.25	12.00	47.5	31.4	9.00	-	3.56	2.60

SYSTEM CAPACITY - With High Efficiency Motor Furnaces¹

UNIT MODEL	FURNACE		COIL MODEL ²	COOLING					HEATING					
	MODEL	WIDTH		RATED CFM	NET MBH		SEER	EER	NET MBH		HSPF Region IV	HSPF Region V	COP	
					TOTAL	SENS.			47°F OD	17°F OD			47°F OD	17°F OD
YHE48B22S	TM9V120D20MP12C	24.5	CF/CM/CU60D	1425	46.5	32.2	14.25	12.00	47.5	31.4	9.00	–	3.56	2.60
YHE48B22S	TM9Y100C16MP11	21.0	CF/CM/CU48C	1325	45.5	30.8	14.00	11.75	47.5	31.6	9.00	–	3.48	2.58
YHE48B22S	TM9Y100C16MP11	21.0	CF/CM/CU60C	1325	46.0	31.0	14.25	11.75	47.5	31.4	9.00	–	3.48	2.56
YHE48B22S	TM9Y100C16MP11	21.0	CF/CM/CU60D	1325	46.0	31.0	14.25	11.75	47.5	31.4	9.00	–	3.48	2.58
YHE48B22S	TM9Y100C16MP11	21.0	CF48CBCA1	1325	45.5	30.8	14.00	11.75	47.5	31.6	9.00	–	3.48	2.58
YHE48B22S	TM9Y100C16MP11	21.0	CM48CBCA1	1325	45.5	30.8	14.00	11.75	47.5	31.6	9.00	–	3.48	2.58
YHE48B22S	TM9Y100C20MP11	21.0	CF/CM/CU48C	1400	46.0	31.8	14.00	11.75	48.0	31.6	9.00	–	3.54	2.62
YHE48B22S	TM9Y100C20MP11	21.0	CF/CM/CU48D	1400	46.0	31.6	14.00	11.75	48.0	31.6	9.00	–	3.54	2.62
YHE48B22S	TM9Y100C20MP11	21.0	CF/CM/CU60C	1400	46.5	32.0	14.25	12.00	47.5	31.4	9.00	–	3.54	2.60
YHE48B22S	TM9Y100C20MP11	21.0	CF/CM/CU60D	1400	46.5	32.0	14.25	12.00	47.5	31.4	9.00	–	3.54	2.60
YHE48B22S	TM9Y100C20MP11	21.0	CF48CBCA1	1400	46.0	31.8	14.00	11.75	48.0	31.6	9.00	–	3.54	2.62
YHE48B22S	TM9Y100C20MP11	21.0	CM48CBCA1	1400	46.0	31.8	14.00	11.75	48.0	31.6	9.00	–	3.54	2.62
YHE48B22S	TM9Y100C20MP11	21.0	CM48DBC A1	1400	46.0	31.6	14.00	11.75	48.0	31.6	9.00	–	3.54	2.62
YHE48B22S	TM9Y120D20MP11	24.5	CF/CM/CU48D	1400	46.0	31.8	14.25	11.75	48.0	31.6	9.00	–	3.56	2.62
YHE48B22S	TM9Y120D20MP11	24.5	CF/CM/CU60D	1400	47.0	32.2	14.50	12.00	47.5	31.4	9.00	–	3.56	2.62
YHE48B22S	TM9Y120D20MP11	24.5	CM48DBC A1	1400	46.0	31.8	14.25	11.75	48.0	31.6	9.00	–	3.56	2.62
YHE48B22S	TMLE080C16MP11	21.0	CF/CM/CU60C	1575	47.0	34.4	14.05	11.50	48.0	32.2	9.00	7.85	3.50	2.58
YHE48B22S	TMLE080C16MP11	21.0	CF/CM/CU60D	1600	47.0	34.6	14.05	11.50	48.0	32.4	9.00	7.90	3.52	2.62
YHE48B22S	TMLE080C20MP11	21.0	CF/CM/CU48C	1450	46.5	34.1	14.25	12.00	48.0	31.6	9.00	7.75	3.50	2.48
YHE48B22S	TMLE080C20MP11	21.0	CF/CM/CU48D	1475	46.5	34.2	14.25	12.00	48.0	31.8	9.00	7.80	3.52	2.50
YHE48B22S	TMLE080C20MP11	21.0	CF/CM/CU60C	1450	46.5	33.1	14.25	12.20	48.0	30.8	9.00	7.80	3.56	2.58
YHE48B22S	TMLE080C20MP11	21.0	CF/CM/CU60D	1475	47.0	33.7	14.50	12.20	48.0	31.0	9.00	7.80	3.56	2.60
YHE48B22S	TMLE080C20MP11	21.0	CF48CBCA1	1450	46.5	34.1	14.25	12.00	48.0	31.6	9.00	7.75	3.50	2.48
YHE48B22S	TMLE080C20MP11	21.0	CM48CBCA1	1450	46.5	34.1	14.25	12.00	48.0	31.6	9.00	7.75	3.50	2.48
YHE48B22S	TMLE080C20MP11	21.0	CM48DBC A1	1475	46.5	34.2	14.25	12.00	48.0	31.8	9.00	7.80	3.52	2.50
YHE48B22S	TMLE100C16MP11	21.0	CF/CM/CU60C	1575	47.0	34.4	14.05	11.50	48.0	32.2	9.00	7.85	3.50	2.58
YHE48B22S	TMLE100C16MP11	21.0	CF/CM/CU60D	1600	47.0	34.6	14.05	11.50	48.0	32.4	9.00	7.90	3.52	2.62
YHE48B22S	TMLE100C20MP11	21.0	CF/CM/CU48C	1425	46.5	33.9	14.25	12.00	48.0	31.4	9.00	7.80	3.50	2.48
YHE48B22S	TMLE100C20MP11	21.0	CF/CM/CU48D	1450	46.5	34.1	14.25	12.00	48.0	31.6	9.00	7.80	3.52	2.50
YHE48B22S	TMLE100C20MP11	21.0	CF/CM/CU60C	1425	46.5	32.9	14.25	12.20	48.0	30.6	9.00	7.80	3.54	2.56
YHE48B22S	TMLE100C20MP11	21.0	CF/CM/CU60D	1450	47.0	33.6	14.50	12.20	48.0	30.8	9.00	7.80	3.56	2.58
YHE48B22S	TMLE100C20MP11	21.0	CF48CBCA1	1425	46.5	33.9	14.25	12.00	48.0	31.4	9.00	7.80	3.50	2.48
YHE48B22S	TMLE100C20MP11	21.0	CM48CBCA1	1425	46.5	33.9	14.25	12.00	48.0	31.4	9.00	7.80	3.50	2.48
YHE48B22S	TMLE100C20MP11	21.0	CM48DBC A1	1450	46.5	34.1	14.25	12.00	48.0	31.6	9.00	7.80	3.52	2.50
YHE48B22S	TMLE120C16MP11	21.0	CF/CM/CU48D	1600	46.5	35.1	14.00	11.50	48.0	33.2	9.00	7.90	3.48	2.52
YHE48B22S	TMLE120C16MP11	21.0	CF/CM/CU60C	1575	47.0	34.4	14.05	11.50	48.0	32.2	9.00	7.90	3.50	2.60
YHE48B22S	TMLE120C16MP11	21.0	CF/CM/CU60D	1600	47.0	34.6	14.05	11.50	48.0	32.4	9.00	7.90	3.52	2.62

SYSTEM CAPACITY - With High Efficiency Motor Furnaces¹

UNIT MODEL	FURNACE		COIL MODEL ²	COOLING					HEATING					
	MODEL	WIDTH		RATED CFM	NET MBH		SEER	EER	NET MBH		HSPF Region IV	HSPF Region V	COP	
					TOTAL	SENS.			47°F OD	17°F OD			47°F OD	17°F OD
YHE48B22S	TMLE120C16MP11	21.0	CM48DBCA1	1600	46.5	35.1	14.00	11.50	48.0	33.2	9.00	7.90	3.48	2.52
YHE48B22S	TMLE120C20MP11	21.0	CF/CM/CU48C	1425	46.5	33.9	14.25	12.00	48.0	31.4	9.00	7.80	3.50	2.48
YHE48B22S	TMLE120C20MP11	21.0	CF/CM/CU48D	1450	46.5	34.1	14.25	12.00	48.0	31.6	9.00	7.80	3.52	2.50
YHE48B22S	TMLE120C20MP11	21.0	CF/CM/CU60C	1425	46.5	32.9	14.25	12.20	48.0	30.6	9.00	7.80	3.54	2.56
YHE48B22S	TMLE120C20MP11	21.0	CF/CM/CU60D	1450	47.0	33.6	14.50	12.20	48.0	30.8	9.00	7.80	3.56	2.58
YHE48B22S	TMLE120C20MP11	21.0	CF48CBCA1	1425	46.5	33.9	14.25	12.00	48.0	31.4	9.00	7.80	3.50	2.48
YHE48B22S	TMLE120C20MP11	21.0	CM48CBCA1	1425	46.5	33.9	14.25	12.00	48.0	31.4	9.00	7.80	3.50	2.48
YHE48B22S	TMLE120C20MP11	21.0	CM48DBCA1	1450	46.5	34.1	14.25	12.00	48.0	31.6	9.00	7.80	3.52	2.50
YHE48B22S	TMLE130D20MP11	24.5	CF/CM/CU48D	1425	46.5	33.9	14.25	12.20	48.0	31.4	9.00	7.75	3.52	2.48
YHE48B22S	TMLE130D20MP11	24.5	CF/CM/CU60D	1450	47.0	33.6	14.50	12.20	48.0	30.8	9.00	7.75	3.58	2.60
YHE48B22S	TMLE130D20MP11	24.5	CM48DBCA1	1425	46.5	33.9	14.25	12.20	48.0	31.4	9.00	7.75	3.52	2.48
YHE48B22S	TMLV080C16MP11C	21.0	CF/CM/CU48C	1325	45.5	30.8	14.00	11.75	47.5	31.4	9.00	-	3.50	2.60
YHE48B22S	TMLV080C16MP11C	21.0	CF/CM/CU48D	1300	45.5	30.6	14.25	11.75	47.5	31.4	9.00	-	3.50	2.60
YHE48B22S	TMLV080C16MP11C	21.0	CF/CM/CU60C	1325	46.5	31.2	14.50	12.00	47.5	31.2	9.00	-	3.50	2.58
YHE48B22S	TMLV080C16MP11C	21.0	CF48CBCA1	1325	45.5	30.8	14.00	11.75	47.5	31.4	9.00	-	3.50	2.60
YHE48B22S	TMLV080C16MP11C	21.0	CM48CBCA1	1325	45.5	30.8	14.00	11.75	47.5	31.4	9.00	-	3.50	2.60
YHE48B22S	TMLV080C16MP11C	21.0	CM48DBCA1	1300	45.5	30.6	14.25	11.75	47.5	31.4	9.00	-	3.50	2.60
YHE48B22S	TMLV080C16MP12C	21.0	CF/CM/CU48C	1325	45.5	30.8	14.00	11.75	47.5	31.4	9.00	-	3.50	2.60
YHE48B22S	TMLV080C16MP12C	21.0	CF/CM/CU48D	1300	45.5	30.6	14.25	11.75	47.5	31.4	9.00	-	3.50	2.60
YHE48B22S	TMLV080C16MP12C	21.0	CF/CM/CU60C	1325	46.5	31.2	14.50	12.00	47.5	31.2	9.00	-	3.50	2.58
YHE48B22S	TMLV080C16MP12C	21.0	CF48CBCA1	1325	45.5	30.8	14.00	11.75	47.5	31.4	9.00	-	3.50	2.60
YHE48B22S	TMLV080C16MP12C	21.0	CM48CBCA1	1325	45.5	30.8	14.00	11.75	47.5	31.4	9.00	-	3.50	2.60
YHE48B22S	TMLV080C16MP12C	21.0	CM48DBCA1	1300	45.5	30.6	14.25	11.75	47.5	31.4	9.00	-	3.50	2.60
YHE48B22S	TMLV100C16MP11C	21.0	CF/CM/CU48C	1325	45.5	30.8	14.00	11.75	47.5	31.4	9.00	-	3.50	2.60
YHE48B22S	TMLV100C16MP11C	21.0	CF/CM/CU48D	1300	45.5	30.6	14.25	11.75	47.5	31.4	9.00	-	3.50	2.60
YHE48B22S	TMLV100C16MP11C	21.0	CF/CM/CU60C	1325	46.5	31.2	14.50	12.00	47.5	31.2	9.00	-	3.50	2.58
YHE48B22S	TMLV100C16MP11C	21.0	CF48CBCA1	1325	45.5	30.8	14.00	11.75	47.5	31.4	9.00	-	3.50	2.60
YHE48B22S	TMLV100C16MP11C	21.0	CM48CBCA1	1325	45.5	30.8	14.00	11.75	47.5	31.4	9.00	-	3.50	2.60
YHE48B22S	TMLV100C16MP11C	21.0	CM48DBCA1	1300	45.5	30.6	14.25	11.75	47.5	31.4	9.00	-	3.50	2.60
YHE48B22S	TMLV100C16MP12C	21.0	CF/CM/CU48C	1325	45.5	30.8	14.00	11.75	47.5	31.4	9.00	-	3.50	2.60
YHE48B22S	TMLV100C16MP12C	21.0	CF/CM/CU48D	1300	45.5	30.6	14.25	11.75	47.5	31.4	9.00	-	3.50	2.60
YHE48B22S	TMLV100C16MP12C	21.0	CF/CM/CU60C	1325	46.5	31.2	14.50	12.00	47.5	31.2	9.00	-	3.50	2.58
YHE48B22S	TMLV100C16MP12C	21.0	CF48CBCA1	1325	45.5	30.8	14.00	11.75	47.5	31.4	9.00	-	3.50	2.60
YHE48B22S	TMLV100C16MP12C	21.0	CM48CBCA1	1325	45.5	30.8	14.00	11.75	47.5	31.4	9.00	-	3.50	2.60
YHE48B22S	TMLV100C16MP12C	21.0	CM48DBCA1	1300	45.5	30.6	14.25	11.75	47.5	31.4	9.00	-	3.50	2.60
YHE48B22S	TMLV100C20MP11C	21.0	CF/CM/CU48C	1300	45.5	30.6	14.00	11.75	47.5	31.4	9.00	-	3.50	2.60
YHE48B22S	TMLV100C20MP11C	21.0	CF/CM/CU60C	1400	46.5	32.0	14.25	12.00	48.0	31.4	9.00	-	3.54	2.60

SYSTEM CAPACITY - With High Efficiency Motor Furnaces¹

UNIT MODEL	FURNACE		COIL MODEL ²	COOLING					HEATING					
	MODEL	WIDTH		RATED CFM	NET MBH		SEER	EER	NET MBH		HSPF Region IV	HSPF Region V	COP	
					TOTAL	SENS.			47°F OD	17°F OD			47°F OD	17°F OD
YHE48B22S	TMLV100C20MP11C	21.0	CF/CM/CU60D	1350	46.5	32.0	14.25	12.00	47.5	31.4	9.00	-	3.56	2.60
YHE48B22S	TMLV100C20MP11C	21.0	CF48CBCA1	1300	45.5	30.6	14.00	11.75	47.5	31.4	9.00	-	3.50	2.60
YHE48B22S	TMLV100C20MP11C	21.0	CM48CBCA1	1300	45.5	30.6	14.00	11.75	47.5	31.4	9.00	-	3.50	2.60
YHE48B22S	TMLV100C20MP12C	21.0	CF/CM/CU48C	1300	45.5	30.6	14.00	11.75	47.5	31.4	9.00	-	3.50	2.60
YHE48B22S	TMLV100C20MP12C	21.0	CF/CM/CU60C	1400	46.5	32.0	14.25	12.00	48.0	31.4	9.00	-	3.54	2.60
YHE48B22S	TMLV100C20MP12C	21.0	CF/CM/CU60D	1350	46.5	32.0	14.25	12.00	47.5	31.4	9.00	-	3.56	2.60
YHE48B22S	TMLV100C20MP12C	21.0	CF48CBCA1	1300	45.5	30.6	14.00	11.75	47.5	31.4	9.00	-	3.50	2.60
YHE48B22S	TMLV100C20MP12C	21.0	CM48CBCA1	1300	45.5	30.6	14.00	11.75	47.5	31.4	9.00	-	3.50	2.60
YHE48B22S	TMLV120C20MP11C	21.0	CF/CM/CU48C	1300	45.5	30.6	14.00	11.75	47.5	31.4	9.00	-	3.50	2.60
YHE48B22S	TMLV120C20MP11C	21.0	CF/CM/CU60C	1400	46.5	32.0	14.25	12.00	48.0	31.4	9.00	-	3.54	2.60
YHE48B22S	TMLV120C20MP11C	21.0	CF/CM/CU60D	1350	46.5	32.0	14.25	12.00	47.5	31.4	9.00	-	3.56	2.60
YHE48B22S	TMLV120C20MP11C	21.0	CF48CBCA1	1300	45.5	30.6	14.00	11.75	47.5	31.4	9.00	-	3.50	2.60
YHE48B22S	TMLV120C20MP11C	21.0	CM48CBCA1	1300	45.5	30.6	14.00	11.75	47.5	31.4	9.00	-	3.50	2.60
YHE48B22S	TMLV120C20MP12C	21.0	CF/CM/CU48C	1300	45.5	30.6	14.00	11.75	47.5	31.4	9.00	-	3.50	2.60
YHE48B22S	TMLV120C20MP12C	21.0	CF/CM/CU60C	1400	46.5	32.0	14.25	12.00	48.0	31.4	9.00	-	3.54	2.60
YHE48B22S	TMLV120C20MP12C	21.0	CF/CM/CU60D	1350	46.5	32.0	14.25	12.00	47.5	31.4	9.00	-	3.56	2.60
YHE48B22S	TMLV120C20MP12C	21.0	CF48CBCA1	1300	45.5	30.6	14.00	11.75	47.5	31.4	9.00	-	3.50	2.60
YHE48B22S	TMLV120C20MP12C	21.0	CM48CBCA1	1300	45.5	30.6	14.00	11.75	47.5	31.4	9.00	-	3.50	2.60
YHE48B22S	TMLX080C16MP11	21.0	CF/CM/CU48C	1400	46.0	31.6	14.00	11.75	48.0	31.6	9.00	-	3.54	2.62
YHE48B22S	TMLX080C16MP11	21.0	CF/CM/CU48D	1400	46.0	31.6	14.00	11.75	48.0	31.6	9.00	-	3.54	2.60
YHE48B22S	TMLX080C16MP11	21.0	CF/CM/CU60C	1400	46.5	32.0	14.25	12.00	48.0	31.4	9.00	-	3.54	2.60
YHE48B22S	TMLX080C16MP11	21.0	CF/CM/CU60D	1400	46.5	32.0	14.25	12.00	48.0	31.4	9.00	-	3.54	2.60
YHE48B22S	TMLX080C16MP11	21.0	CF48CBCA1	1400	46.0	31.6	14.00	11.75	48.0	31.6	9.00	-	3.54	2.62
YHE48B22S	TMLX080C16MP11	21.0	CM48CBCA1	1400	46.0	31.6	14.00	11.75	48.0	31.6	9.00	-	3.54	2.62
YHE48B22S	TMLX080C16MP11	21.0	CM48DBCA1	1400	46.0	31.6	14.00	11.75	48.0	31.6	9.00	-	3.54	2.60
YHE48B22S	TMLX100C16MP11	21.0	CF/CM/CU48C	1400	46.0	31.6	14.00	11.75	48.0	31.6	9.00	-	3.54	2.62
YHE48B22S	TMLX100C16MP11	21.0	CF/CM/CU48D	1400	46.0	31.6	14.00	11.75	48.0	31.6	9.00	-	3.54	2.60
YHE48B22S	TMLX100C16MP11	21.0	CF/CM/CU60C	1400	46.5	32.0	14.25	12.00	48.0	31.4	9.00	-	3.54	2.60
YHE48B22S	TMLX100C16MP11	21.0	CF/CM/CU60D	1400	46.5	32.0	14.25	12.00	48.0	31.4	9.00	-	3.54	2.60
YHE48B22S	TMLX100C16MP11	21.0	CF48CBCA1	1400	46.0	31.6	14.00	11.75	48.0	31.6	9.00	-	3.54	2.62
YHE48B22S	TMLX100C16MP11	21.0	CM48CBCA1	1400	46.0	31.6	14.00	11.75	48.0	31.6	9.00	-	3.54	2.62
YHE48B22S	TMLX100C16MP11	21.0	CM48DBCA1	1400	46.0	31.6	14.00	11.75	48.0	31.6	9.00	-	3.54	2.60
YHE48B22S	TMLX100C20MP11	21.0	CF/CM/CU48C	1400	46.0	31.8	14.00	11.75	48.0	31.6	9.00	-	3.56	2.62
YHE48B22S	TMLX100C20MP11	21.0	CF/CM/CU48D	1400	46.0	31.8	14.00	11.75	48.0	31.6	9.00	-	3.56	2.62
YHE48B22S	TMLX100C20MP11	21.0	CF/CM/CU60C	1400	46.5	32.0	14.25	12.00	47.5	31.4	9.00	-	3.54	2.60
YHE48B22S	TMLX100C20MP11	21.0	CF/CM/CU60D	1400	46.5	32.0	14.25	12.00	47.5	31.4	9.00	-	3.54	2.60
YHE48B22S	TMLX100C20MP11	21.0	CF48CBCA1	1400	46.0	31.8	14.00	11.75	48.0	31.6	9.00	-	3.56	2.62

SYSTEM CAPACITY - With High Efficiency Motor Furnaces¹

UNIT MODEL	FURNACE		COIL MODEL ²	COOLING					HEATING					
	MODEL	WIDTH		RATED CFM	NET MBH		SEER	EER	NET MBH		HSPF Region IV	HSPF Region V	COP	
					TOTAL	SENS.			47°F OD	17°F OD			47°F OD	17°F OD
YHE48B22S	TMLX100C20MP11	21.0	CM48CBCA1	1400	46.0	31.8	14.00	11.75	48.0	31.6	9.00	-	3.56	2.62
YHE48B22S	TMLX100C20MP11	21.0	CM48DBCA1	1400	46.0	31.8	14.00	11.75	48.0	31.6	9.00	-	3.56	2.62
YHE48B22S	TMLX120C20MP11	21.0	CF/CM/CU48C	1400	46.0	31.8	14.00	11.75	48.0	31.6	9.00	-	3.56	2.62
YHE48B22S	TMLX120C20MP11	21.0	CF/CM/CU48D	1400	46.0	31.8	14.00	11.75	48.0	31.6	9.00	-	3.56	2.62
YHE48B22S	TMLX120C20MP11	21.0	CF/CM/CU60C	1400	46.5	32.0	14.25	12.00	47.5	31.4	9.00	-	3.54	2.60
YHE48B22S	TMLX120C20MP11	21.0	CF/CM/CU60D	1400	46.5	32.0	14.25	12.00	47.5	31.4	9.00	-	3.54	2.60
YHE48B22S	TMLX120C20MP11	21.0	CF48CBCA1	1400	46.0	31.8	14.00	11.75	48.0	31.6	9.00	-	3.56	2.62
YHE48B22S	TMLX120C20MP11	21.0	CM48CBCA1	1400	46.0	31.8	14.00	11.75	48.0	31.6	9.00	-	3.56	2.62
YHE48B22S	TMLX120C20MP11	21.0	CM48DBCA1	1400	46.0	31.8	14.00	11.75	48.0	31.6	9.00	-	3.56	2.62
YHE48B22S	TP9C080C16MP12C	21.0	CF/CM/CU48C	1425	46.0	31.6	14.00	11.75	48.0	31.8	9.00	-	3.52	2.60
YHE48B22S	TP9C080C16MP12C	21.0	CF/CM/CU48D	1425	46.0	31.8	14.25	12.00	47.5	31.4	9.00	-	3.58	2.64
YHE48B22S	TP9C080C16MP12C	21.0	CF/CM/CU60C	1450	46.5	32.0	14.00	11.75	48.0	31.6	8.75	-	3.50	2.56
YHE48B22S	TP9C080C16MP12C	21.0	CF48CBCA1	1425	46.0	31.6	14.00	11.75	48.0	31.8	9.00	-	3.52	2.60
YHE48B22S	TP9C100C16MP12C	21.0	CF/CM/CU48C	1425	46.0	31.6	14.00	11.75	48.0	31.8	9.00	-	3.52	2.60
YHE48B22S	TP9C100C16MP12C	21.0	CF/CM/CU48D	1425	46.0	31.8	14.25	12.00	47.5	31.4	9.00	-	3.58	2.64
YHE48B22S	TP9C100C16MP12C	21.0	CF/CM/CU60C	1450	46.5	32.0	14.00	11.75	48.0	31.6	8.75	-	3.50	2.56
YHE48B22S	TP9C100C16MP12C	21.0	CF48CBCA1	1425	46.0	31.6	14.00	11.75	48.0	31.8	9.00	-	3.52	2.60
YHE48B22S	TP9C100C16MP12C	21.0	CM48CBCA1	1425	46.0	31.6	14.00	11.75	48.0	31.8	9.00	-	3.52	2.60
YHE48B22S	TP9C100C16MP12C	21.0	CM48DBCA1	1425	46.0	31.8	14.25	12.00	47.5	31.4	9.00	-	3.58	2.64
YHE48B22S	TP9C100C16MP13C	21.0	CF/CM/CU48C	1425	46.0	31.6	14.00	11.75	48.0	31.8	9.00	-	3.52	2.60
YHE48B22S	TP9C100C16MP13C	21.0	CF/CM/CU48D	1425	46.0	31.8	14.25	12.00	47.5	31.4	9.00	-	3.58	2.64
YHE48B22S	TP9C100C16MP13C	21.0	CF/CM/CU60C	1450	46.5	32.0	14.00	11.75	48.0	31.6	8.75	-	3.50	2.56
YHE48B22S	TP9C100C16MP13C	21.0	CF48CBCA1	1425	46.0	31.6	14.00	11.75	48.0	31.8	9.00	-	3.52	2.60
YHE48B22S	TP9C100C16MP13C	21.0	CM48CBCA1	1425	46.0	31.6	14.00	11.75	48.0	31.8	9.00	-	3.52	2.60
YHE48B22S	TP9C100C16MP13C	21.0	CM48DBCA1	1425	46.0	31.8	14.25	12.00	47.5	31.4	9.00	-	3.58	2.64
YHE48B22S	TP9C100C20MP12C	21.0	CF/CM/CU48C	1275	45.5	30.2	14.00	11.75	47.5	31.4	9.00	-	3.46	2.58
YHE48B22S	TP9C100C20MP12C	21.0	CF/CM/CU48D	1300	45.5	30.6	14.25	11.75	47.5	31.4	9.00	-	3.50	2.60
YHE48B22S	TP9C100C20MP12C	21.0	CF/CM/CU60C	1450	46.5	31.8	14.00	11.75	48.0	31.6	8.75	-	3.50	2.56
YHE48B22S	TP9C100C20MP12C	21.0	CF48CBCA1	1275	45.5	30.2	14.00	11.75	47.5	31.4	9.00	-	3.46	2.58
YHE48B22S	TP9C100C20MP12C	21.0	CM48CBCA1	1275	45.5	30.2	14.00	11.75	47.5	31.4	9.00	-	3.46	2.58
YHE48B22S	TP9C100C20MP12C	21.0	CM48DBCA1	1300	45.5	30.6	14.25	11.75	47.5	31.4	9.00	-	3.50	2.60
YHE48B22S	TP9C100C20MP13C	21.0	CF/CM/CU48C	1275	45.5	30.2	14.00	11.75	47.5	31.4	9.00	-	3.46	2.58
YHE48B22S	TP9C100C20MP13C	21.0	CF/CM/CU48D	1300	45.5	30.6	14.25	11.75	47.5	31.4	9.00	-	3.50	2.60
YHE48B22S	TP9C100C20MP13C	21.0	CF/CM/CU60C	1450	46.5	31.8	14.00	11.75	48.0	31.6	8.75	-	3.50	2.56
YHE48B22S	TP9C100C20MP13C	21.0	CF48CBCA1	1275	45.5	30.2	14.00	11.75	47.5	31.4	9.00	-	3.46	2.58
YHE48B22S	TP9C100C20MP13C	21.0	CM48CBCA1	1275	45.5	30.2	14.00	11.75	47.5	31.4	9.00	-	3.46	2.58
YHE48B22S	TP9C100C20MP13C	21.0	CM48DBCA1	1300	45.5	30.6	14.25	11.75	47.5	31.4	9.00	-	3.50	2.60

SYSTEM CAPACITY - With High Efficiency Motor Furnaces¹

UNIT MODEL	FURNACE		COIL MODEL ²	COOLING					HEATING					
	MODEL	WIDTH		RATED CFM	NET MBH		SEER	EER	NET MBH		HSPF Region IV	HSPF Region V	COP	
					TOTAL	SENS.			47°F OD	17°F OD			47°F OD	17°F OD
YHE48B22S	TP9C120D20MP12C	24.5	CF/CM/CU60D	1425	46.5	32.2	14.25	12.00	47.5	31.4	9.00	-	3.56	2.60
YHE48B22S	TP9C120D20MP13C	24.5	CF/CM/CU60D	1425	46.5	32.2	14.25	12.00	47.5	31.4	9.00	-	3.56	2.60
YHE48B22S	TPLC080C16MP12C	21.0	CF/CM/CU48C	1325	45.5	30.8	14.00	11.75	47.5	31.4	9.00	-	3.50	2.60
YHE48B22S	TPLC080C16MP12C	21.0	CF/CM/CU48D	1300	45.5	30.6	14.25	11.75	47.5	31.4	9.00	-	3.50	2.60
YHE48B22S	TPLC080C16MP12C	21.0	CF/CM/CU60C	1325	46.5	31.2	14.50	12.00	47.5	31.2	9.00	-	3.50	2.58
YHE48B22S	TPLC080C16MP12C	21.0	CF48CBCA1	1325	45.5	30.8	14.00	11.75	47.5	31.4	9.00	-	3.50	2.60
YHE48B22S	TPLC080C16MP12C	21.0	CM48CBCA1	1325	45.5	30.8	14.00	11.75	47.5	31.4	9.00	-	3.50	2.60
YHE48B22S	TPLC080C16MP12C	21.0	CM48DBC A1	1300	45.5	30.6	14.25	11.75	47.5	31.4	9.00	-	3.50	2.60
YHE48B22S	TPLC080C16MP13C	21.0	CF/CM/CU48C	1325	45.5	30.8	14.00	11.75	47.5	31.4	9.00	-	3.50	2.60
YHE48B22S	TPLC080C16MP13C	21.0	CF/CM/CU48D	1300	45.5	30.6	14.25	11.75	47.5	31.4	9.00	-	3.50	2.60
YHE48B22S	TPLC080C16MP13C	21.0	CF/CM/CU60C	1325	46.5	31.2	14.50	12.00	47.5	31.2	9.00	-	3.50	2.58
YHE48B22S	TPLC080C16MP13C	21.0	CF48CBCA1	1325	45.5	30.8	14.00	11.75	47.5	31.4	9.00	-	3.50	2.60
YHE48B22S	TPLC080C16MP13C	21.0	CM48CBCA1	1325	45.5	30.8	14.00	11.75	47.5	31.4	9.00	-	3.50	2.60
YHE48B22S	TPLC080C16MP13C	21.0	CM48DBC A1	1300	45.5	30.6	14.25	11.75	47.5	31.4	9.00	-	3.50	2.60
YHE48B22S	TPLC100C16MP12C	21.0	CF/CM/CU48C	1325	45.5	30.8	14.00	11.75	47.5	31.4	9.00	-	3.50	2.60
YHE48B22S	TPLC100C16MP12C	21.0	CF/CM/CU48D	1300	45.5	30.6	14.25	11.75	47.5	31.4	9.00	-	3.50	2.60
YHE48B22S	TPLC100C16MP12C	21.0	CF/CM/CU60C	1325	46.5	31.2	14.50	12.00	47.5	31.2	9.00	-	3.50	2.58
YHE48B22S	TPLC100C16MP12C	21.0	CF48CBCA1	1325	45.5	30.8	14.00	11.75	47.5	31.4	9.00	-	3.50	2.60
YHE48B22S	TPLC100C16MP12C	21.0	CM48CBCA1	1325	45.5	30.8	14.00	11.75	47.5	31.4	9.00	-	3.50	2.60
YHE48B22S	TPLC100C16MP12C	21.0	CM48DBC A1	1300	45.5	30.6	14.25	11.75	47.5	31.4	9.00	-	3.50	2.60
YHE48B22S	TPLC100C16MP13C	21.0	CF/CM/CU48C	1325	45.5	30.8	14.00	11.75	47.5	31.4	9.00	-	3.50	2.60
YHE48B22S	TPLC100C16MP13C	21.0	CF/CM/CU48D	1300	45.5	30.6	14.25	11.75	47.5	31.4	9.00	-	3.50	2.60
YHE48B22S	TPLC100C16MP13C	21.0	CF/CM/CU60C	1325	46.5	31.2	14.50	12.00	47.5	31.2	9.00	-	3.50	2.58
YHE48B22S	TPLC100C16MP13C	21.0	CF48CBCA1	1325	45.5	30.8	14.00	11.75	47.5	31.4	9.00	-	3.50	2.60
YHE48B22S	TPLC100C16MP13C	21.0	CM48CBCA1	1325	45.5	30.8	14.00	11.75	47.5	31.4	9.00	-	3.50	2.60
YHE48B22S	TPLC100C16MP13C	21.0	CM48DBC A1	1300	45.5	30.6	14.25	11.75	47.5	31.4	9.00	-	3.50	2.60
YHE48B22S	TPLC100C20MP12C	21.0	CF/CM/CU48C	1300	45.5	30.6	14.00	11.75	47.5	31.4	9.00	-	3.50	2.60
YHE48B22S	TPLC100C20MP12C	21.0	CF/CM/CU60C	1400	46.5	32.0	14.25	12.00	48.0	31.4	9.00	-	3.54	2.60
YHE48B22S	TPLC100C20MP12C	21.0	CF/CM/CU60D	1350	46.5	32.0	14.25	12.00	47.5	31.4	9.00	-	3.56	2.60
YHE48B22S	TPLC100C20MP12C	21.0	CF48CBCA1	1300	45.5	30.6	14.00	11.75	47.5	31.4	9.00	-	3.50	2.60
YHE48B22S	TPLC100C20MP12C	21.0	CM48CBCA1	1300	45.5	30.6	14.00	11.75	47.5	31.4	9.00	-	3.50	2.60
YHE48B22S	TPLC100C20MP13C	21.0	CF/CM/CU48C	1300	45.5	30.6	14.00	11.75	47.5	31.4	9.00	-	3.50	2.60
YHE48B22S	TPLC100C20MP13C	21.0	CF/CM/CU60C	1400	46.5	32.0	14.25	12.00	48.0	31.4	9.00	-	3.54	2.60
YHE48B22S	TPLC100C20MP13C	21.0	CF/CM/CU60D	1350	46.5	32.0	14.25	12.00	47.5	31.4	9.00	-	3.56	2.60
YHE48B22S	TPLC100C20MP13C	21.0	CF48CBCA1	1300	45.5	30.6	14.00	11.75	47.5	31.4	9.00	-	3.50	2.60
YHE48B22S	TPLC100C20MP13C	21.0	CM48CBCA1	1300	45.5	30.6	14.00	11.75	47.5	31.4	9.00	-	3.50	2.60
YHE48B22S	TPLC120C20MP12C	21.0	CF/CM/CU48C	1300	45.5	30.6	14.00	11.75	47.5	31.4	9.00	-	3.50	2.60

SYSTEM CAPACITY - With High Efficiency Motor Furnaces¹

UNIT MODEL	FURNACE		COIL MODEL ²	COOLING					HEATING					
	MODEL	WIDTH		RATED CFM	NET MBH		SEER	EER	NET MBH		HSPF Region IV	HSPF Region V	COP	
					TOTAL	SENS.			47°F OD	17°F OD			47°F OD	17°F OD
YHE48B22S	TPLC120C20MP12C	21.0	CF/CM/CU60C	1400	46.5	32.0	14.25	12.00	48.0	31.4	9.00	-	3.54	2.60
YHE48B22S	TPLC120C20MP12C	21.0	CF/CM/CU60D	1350	46.5	32.0	14.25	12.00	47.5	31.4	9.00	-	3.56	2.60
YHE48B22S	TPLC120C20MP12C	21.0	CF48CBCA1	1300	45.5	30.6	14.00	11.75	47.5	31.4	9.00	-	3.50	2.60
YHE48B22S	TPLC120C20MP12C	21.0	CM48CBCA1	1300	45.5	30.6	14.00	11.75	47.5	31.4	9.00	-	3.50	2.60
YHE48B22S	TPLC120C20MP13C	21.0	CF/CM/CU48C	1300	45.5	30.6	14.00	11.75	47.5	31.4	9.00	-	3.50	2.60
YHE48B22S	TPLC120C20MP13C	21.0	CF/CM/CU60C	1400	46.5	32.0	14.25	12.00	48.0	31.4	9.00	-	3.54	2.60
YHE48B22S	TPLC120C20MP13C	21.0	CF/CM/CU60D	1350	46.5	32.0	14.25	12.00	47.5	31.4	9.00	-	3.56	2.60
YHE48B22S	TPLC120C20MP13C	21.0	CF48CBCA1	1300	45.5	30.6	14.00	11.75	47.5	31.4	9.00	-	3.50	2.60
YHE48B22S	TPLC120C20MP13C	21.0	CM48CBCA1	1300	45.5	30.6	14.00	11.75	47.5	31.4	9.00	-	3.50	2.60
YHE48B22S	YP9C080C16MP12C	21.0	CF/CM/CU48C	1425	46.0	31.6	14.00	11.75	48.0	31.8	9.00	-	3.52	2.60
YHE48B22S	YP9C080C16MP12C	21.0	CF/CM/CU48D	1425	46.0	31.8	14.25	12.00	47.5	31.4	9.00	-	3.58	2.64
YHE48B22S	YP9C080C16MP12C	21.0	CF/CM/CU60C	1450	46.5	32.0	14.00	11.75	48.0	31.6	8.75	-	3.50	2.56
YHE48B22S	YP9C080C16MP12C	21.0	CF48CBCA1	1425	46.0	31.6	14.00	11.75	48.0	31.8	9.00	-	3.52	2.60
YHE48B22S	YP9C100C16MP12C	21.0	CF/CM/CU48C	1425	46.0	31.6	14.00	11.75	48.0	31.8	9.00	-	3.52	2.60
YHE48B22S	YP9C100C16MP12C	21.0	CF/CM/CU48D	1425	46.0	31.8	14.25	12.00	47.5	31.4	9.00	-	3.58	2.64
YHE48B22S	YP9C100C16MP12C	21.0	CF/CM/CU60C	1450	46.5	32.0	14.00	11.75	48.0	31.6	8.75	-	3.50	2.56
YHE48B22S	YP9C100C16MP12C	21.0	CF48CBCA1	1425	46.0	31.6	14.00	11.75	48.0	31.8	9.00	-	3.52	2.60
YHE48B22S	YP9C100C16MP12C	21.0	CM48CBCA1	1425	46.0	31.6	14.00	11.75	48.0	31.8	9.00	-	3.52	2.60
YHE48B22S	YP9C100C16MP12C	21.0	CM48DBCA1	1425	46.0	31.8	14.25	12.00	47.5	31.4	9.00	-	3.58	2.64
YHE48B22S	YP9C100C16MP13C	21.0	CF/CM/CU48C	1425	46.0	31.6	14.00	11.75	48.0	31.8	9.00	-	3.52	2.60
YHE48B22S	YP9C100C16MP13C	21.0	CF/CM/CU48D	1425	46.0	31.8	14.25	12.00	47.5	31.4	9.00	-	3.58	2.64
YHE48B22S	YP9C100C16MP13C	21.0	CF/CM/CU60C	1450	46.5	32.0	14.00	11.75	48.0	31.6	8.75	-	3.50	2.56
YHE48B22S	YP9C100C16MP13C	21.0	CF48CBCA1	1425	46.0	31.6	14.00	11.75	48.0	31.8	9.00	-	3.52	2.60
YHE48B22S	YP9C100C16MP13C	21.0	CM48CBCA1	1425	46.0	31.6	14.00	11.75	48.0	31.8	9.00	-	3.52	2.60
YHE48B22S	YP9C100C16MP13C	21.0	CM48DBCA1	1425	46.0	31.8	14.25	12.00	47.5	31.4	9.00	-	3.58	2.64
YHE48B22S	YP9C100C20MP12C	21.0	CF/CM/CU48C	1275	45.5	30.2	14.00	11.75	47.5	31.4	9.00	-	3.46	2.58
YHE48B22S	YP9C100C20MP12C	21.0	CF/CM/CU48D	1300	45.5	30.6	14.25	11.75	47.5	31.4	9.00	-	3.50	2.60
YHE48B22S	YP9C100C20MP12C	21.0	CF/CM/CU60C	1450	46.5	31.8	14.00	11.75	48.0	31.6	8.75	-	3.50	2.56
YHE48B22S	YP9C100C20MP12C	21.0	CF48CBCA1	1275	45.5	30.2	14.00	11.75	47.5	31.4	9.00	-	3.46	2.58
YHE48B22S	YP9C100C20MP12C	21.0	CM48CBCA1	1275	45.5	30.2	14.00	11.75	47.5	31.4	9.00	-	3.46	2.58
YHE48B22S	YP9C100C20MP12C	21.0	CM48DBCA1	1300	45.5	30.6	14.25	11.75	47.5	31.4	9.00	-	3.50	2.60
YHE48B22S	YP9C100C20MP13C	21.0	CF/CM/CU48C	1275	45.5	30.2	14.00	11.75	47.5	31.4	9.00	-	3.46	2.58
YHE48B22S	YP9C100C20MP13C	21.0	CF/CM/CU48D	1300	45.5	30.6	14.25	11.75	47.5	31.4	9.00	-	3.50	2.60
YHE48B22S	YP9C100C20MP13C	21.0	CF/CM/CU60C	1450	46.5	31.8	14.00	11.75	48.0	31.6	8.75	-	3.50	2.56
YHE48B22S	YP9C100C20MP13C	21.0	CF48CBCA1	1275	45.5	30.2	14.00	11.75	47.5	31.4	9.00	-	3.46	2.58
YHE48B22S	YP9C100C20MP13C	21.0	CM48CBCA1	1275	45.5	30.2	14.00	11.75	47.5	31.4	9.00	-	3.46	2.58
YHE48B22S	YP9C100C20MP13C	21.0	CM48DBCA1	1300	45.5	30.6	14.25	11.75	47.5	31.4	9.00	-	3.50	2.60

SYSTEM CAPACITY - With High Efficiency Motor Furnaces¹

UNIT MODEL	FURNACE		COIL MODEL ²	COOLING					HEATING					
	MODEL	WIDTH		RATED CFM	NET MBH		SEER	EER	NET MBH		HSPF Region IV	HSPF Region V	COP	
					TOTAL	SENS.			47°F OD	17°F OD			47°F OD	17°F OD
YHE48B22S	YP9C120D20MP12C	24.5	CF/CM/CU60D	1425	46.5	32.2	14.25	12.00	47.5	31.4	9.00	-	3.56	2.60
YHE48B22S	YP9C120D20MP13C	24.5	CF/CM/CU60D	1425	46.5	32.2	14.25	12.00	47.5	31.4	9.00	-	3.56	2.60
YHE48B22S	YPLC080C16MP12C	21.0	CF/CM/CU48C	1325	45.5	30.8	14.00	11.75	47.5	31.4	9.00	-	3.50	2.60
YHE48B22S	YPLC080C16MP12C	21.0	CF/CM/CU48D	1300	45.5	30.6	14.25	11.75	47.5	31.4	9.00	-	3.50	2.60
YHE48B22S	YPLC080C16MP12C	21.0	CF/CM/CU60C	1325	46.5	31.2	14.50	12.00	47.5	31.2	9.00	-	3.50	2.58
YHE48B22S	YPLC080C16MP12C	21.0	CF48CBCA1	1325	45.5	30.8	14.00	11.75	47.5	31.4	9.00	-	3.50	2.60
YHE48B22S	YPLC080C16MP12C	21.0	CM48CBCA1	1325	45.5	30.8	14.00	11.75	47.5	31.4	9.00	-	3.50	2.60
YHE48B22S	YPLC080C16MP12C	21.0	CM48DBC A1	1300	45.5	30.6	14.25	11.75	47.5	31.4	9.00	-	3.50	2.60
YHE48B22S	YPLC080C16MP13C	21.0	CF/CM/CU48C	1325	45.5	30.8	14.00	11.75	47.5	31.4	9.00	-	3.50	2.60
YHE48B22S	YPLC080C16MP13C	21.0	CF/CM/CU48D	1300	45.5	30.6	14.25	11.75	47.5	31.4	9.00	-	3.50	2.60
YHE48B22S	YPLC080C16MP13C	21.0	CF/CM/CU60C	1325	46.5	31.2	14.50	12.00	47.5	31.2	9.00	-	3.50	2.58
YHE48B22S	YPLC080C16MP13C	21.0	CF48CBCA1	1325	45.5	30.8	14.00	11.75	47.5	31.4	9.00	-	3.50	2.60
YHE48B22S	YPLC080C16MP13C	21.0	CM48CBCA1	1325	45.5	30.8	14.00	11.75	47.5	31.4	9.00	-	3.50	2.60
YHE48B22S	YPLC080C16MP13C	21.0	CM48DBC A1	1300	45.5	30.6	14.25	11.75	47.5	31.4	9.00	-	3.50	2.60
YHE48B22S	YPLC100C16MP12C	21.0	CF/CM/CU48C	1325	45.5	30.8	14.00	11.75	47.5	31.4	9.00	-	3.50	2.60
YHE48B22S	YPLC100C16MP12C	21.0	CF/CM/CU48D	1300	45.5	30.6	14.25	11.75	47.5	31.4	9.00	-	3.50	2.60
YHE48B22S	YPLC100C16MP12C	21.0	CF/CM/CU60C	1325	46.5	31.2	14.50	12.00	47.5	31.2	9.00	-	3.50	2.58
YHE48B22S	YPLC100C16MP12C	21.0	CF48CBCA1	1325	45.5	30.8	14.00	11.75	47.5	31.4	9.00	-	3.50	2.60
YHE48B22S	YPLC100C16MP12C	21.0	CM48CBCA1	1325	45.5	30.8	14.00	11.75	47.5	31.4	9.00	-	3.50	2.60
YHE48B22S	YPLC100C16MP12C	21.0	CM48DBC A1	1300	45.5	30.6	14.25	11.75	47.5	31.4	9.00	-	3.50	2.60
YHE48B22S	YPLC100C16MP13C	21.0	CF/CM/CU48C	1325	45.5	30.8	14.00	11.75	47.5	31.4	9.00	-	3.50	2.60
YHE48B22S	YPLC100C16MP13C	21.0	CF/CM/CU48D	1300	45.5	30.6	14.25	11.75	47.5	31.4	9.00	-	3.50	2.60
YHE48B22S	YPLC100C16MP13C	21.0	CF/CM/CU60C	1325	46.5	31.2	14.50	12.00	47.5	31.2	9.00	-	3.50	2.58
YHE48B22S	YPLC100C16MP13C	21.0	CF48CBCA1	1325	45.5	30.8	14.00	11.75	47.5	31.4	9.00	-	3.50	2.60
YHE48B22S	YPLC100C16MP13C	21.0	CM48CBCA1	1325	45.5	30.8	14.00	11.75	47.5	31.4	9.00	-	3.50	2.60
YHE48B22S	YPLC100C16MP13C	21.0	CM48DBC A1	1300	45.5	30.6	14.25	11.75	47.5	31.4	9.00	-	3.50	2.60
YHE48B22S	YPLC100C20MP12C	21.0	CF/CM/CU48C	1300	45.5	30.6	14.00	11.75	47.5	31.4	9.00	-	3.50	2.60
YHE48B22S	YPLC100C20MP12C	21.0	CF/CM/CU60C	1400	46.5	32.0	14.25	12.00	48.0	31.4	9.00	-	3.54	2.60
YHE48B22S	YPLC100C20MP12C	21.0	CF/CM/CU60D	1350	46.5	32.0	14.25	12.00	47.5	31.4	9.00	-	3.56	2.60
YHE48B22S	YPLC100C20MP12C	21.0	CF48CBCA1	1300	45.5	30.6	14.00	11.75	47.5	31.4	9.00	-	3.50	2.60
YHE48B22S	YPLC100C20MP12C	21.0	CM48CBCA1	1300	45.5	30.6	14.00	11.75	47.5	31.4	9.00	-	3.50	2.60
YHE48B22S	YPLC100C20MP13C	21.0	CF/CM/CU48C	1300	45.5	30.6	14.00	11.75	47.5	31.4	9.00	-	3.50	2.60
YHE48B22S	YPLC100C20MP13C	21.0	CF/CM/CU60C	1400	46.5	32.0	14.25	12.00	48.0	31.4	9.00	-	3.54	2.60
YHE48B22S	YPLC100C20MP13C	21.0	CF/CM/CU60D	1350	46.5	32.0	14.25	12.00	47.5	31.4	9.00	-	3.56	2.60
YHE48B22S	YPLC100C20MP13C	21.0	CF48CBCA1	1300	45.5	30.6	14.00	11.75	47.5	31.4	9.00	-	3.50	2.60
YHE48B22S	YPLC100C20MP13C	21.0	CM48CBCA1	1300	45.5	30.6	14.00	11.75	47.5	31.4	9.00	-	3.50	2.60
YHE48B22S	YPLC120C20MP12C	21.0	CF/CM/CU48C	1300	45.5	30.6	14.00	11.75	47.5	31.4	9.00	-	3.50	2.60

SYSTEM CAPACITY - With High Efficiency Motor Furnaces¹

UNIT MODEL	FURNACE		COIL MODEL ²	COOLING					HEATING					
	MODEL	WIDTH		RATED CFM	NET MBH		SEER	EER	NET MBH		HSPF Region IV	HSPF Region V	COP	
					TOTAL	SENS.			47°F OD	17°F OD			47°F OD	17°F OD
YHE48B22S	YPLC120C20MP12C	21.0	CF/CM/CU60C	1400	46.5	32.0	14.25	12.00	48.0	31.4	9.00	-	3.54	2.60
YHE48B22S	YPLC120C20MP12C	21.0	CF/CM/CU60D	1350	46.5	32.0	14.25	12.00	47.5	31.4	9.00	-	3.56	2.60
YHE48B22S	YPLC120C20MP12C	21.0	CF48CBCA1	1300	45.5	30.6	14.00	11.75	47.5	31.4	9.00	-	3.50	2.60
YHE48B22S	YPLC120C20MP12C	21.0	CM48CBCA1	1300	45.5	30.6	14.00	11.75	47.5	31.4	9.00	-	3.50	2.60
YHE48B22S	YPLC120C20MP13C	21.0	CF/CM/CU48C	1300	45.5	30.6	14.00	11.75	47.5	31.4	9.00	-	3.50	2.60
YHE48B22S	YPLC120C20MP13C	21.0	CF/CM/CU60C	1400	46.5	32.0	14.25	12.00	48.0	31.4	9.00	-	3.54	2.60
YHE48B22S	YPLC120C20MP13C	21.0	CF/CM/CU60D	1350	46.5	32.0	14.25	12.00	47.5	31.4	9.00	-	3.56	2.60
YHE48B22S	YPLC120C20MP13C	21.0	CF48CBCA1	1300	45.5	30.6	14.00	11.75	47.5	31.4	9.00	-	3.50	2.60
YHE48B22S	YPLC120C20MP13C	21.0	CM48CBCA1	1300	45.5	30.6	14.00	11.75	47.5	31.4	9.00	-	3.50	2.60
YHE60B22S	TL8E100C20UH11	21.0	CF/CM64D	1600	55.0	38.6	14.00	12.00	57.5	37.4	9.00	7.80	3.76	2.72
YHE60B22S	TM8E080C20MP11	21.0	CF/CM64D	1575	55.0	38.4	14.00	12.00	57.0	37.2	9.00	7.80	3.74	2.72
YHE60B22S	TM8E100C20MP11	21.0	CF/CM64D	1525	55.0	38.1	14.00	12.00	57.0	37.0	9.00	7.75	3.72	2.70
YHE60B22S	TM8E120C20MP11	21.0	CF/CM64D	1525	55.0	38.1	14.00	12.00	57.0	37.0	9.00	7.80	3.72	2.72
YHE60B22S	TM8E130D20MP11	24.5	CF/CM64D	1625	55.0	38.8	14.00	12.00	57.5	37.6	9.00	7.75	3.76	2.72
YHE60B22S	TM8V100C20MP11C	21.0	CF/CM64D	1425	54.5	36.0	14.00	12.00	56.5	37.4	9.25	-	3.72	2.76
YHE60B22S	TM8V100C20MP12C	21.0	CF/CM64D	1425	54.5	36.0	14.00	12.00	56.5	37.4	9.25	-	3.72	2.76
YHE60B22S	TM8V120C20MP11C	21.0	CF/CM64D	1425	54.5	36.0	14.00	12.00	56.5	37.4	9.25	-	3.72	2.76
YHE60B22S	TM8V120C20MP12C	21.0	CF/CM64D	1425	54.5	36.0	14.00	12.00	56.5	37.4	9.25	-	3.72	2.76
YHE60B22S	TM8X080C16MP11	21.0	CF/CM64D	1400	54.0	35.8	14.00	12.00	56.5	37.4	9.25	-	3.70	2.74
YHE60B22S	TM8X100C16MP11	21.0	CF/CM64D	1400	54.0	35.8	14.00	12.00	56.5	37.4	9.25	-	3.70	2.74
YHE60B22S	TM8X100C20MP11	21.0	CF/CM64D	1450	54.5	36.4	14.25	12.00	56.5	37.4	9.25	-	3.78	2.78
YHE60B22S	TM8X120C20MP11	21.0	CF/CM64D	1450	54.5	36.4	14.25	12.00	56.5	37.4	9.25	-	3.78	2.78
YHE60B22S	TM8Y080C16MP11	21.0	CF/CM64D	1400	54.0	35.8	14.00	12.00	56.5	37.4	9.25	-	3.70	2.74
YHE60B22S	TM8Y100C16MP11	21.0	CF/CM64D	1400	54.0	35.8	14.00	12.00	56.5	37.4	9.25	-	3.70	2.74
YHE60B22S	TM8Y100C20MP11	21.0	CF/CM64D	1450	54.5	36.4	14.25	12.00	56.5	37.4	9.25	-	3.78	2.78
YHE60B22S	TM8Y120C20MP11	21.0	CF/CM64D	1450	54.5	36.4	14.25	12.00	56.5	37.4	9.25	-	3.78	2.78
YHE60B22S	TM9E080C20MP12	21.0	CF/CM64D	1500	55.0	37.9	14.00	12.00	57.0	37.0	9.00	7.80	3.70	2.70
YHE60B22S	TM9E100C20MP11	21.0	CF/CM64D	1400	54.0	35.8	14.00	12.00	56.5	37.4	9.00	-	3.72	2.76
YHE60B22S	TM9E100C20MP12	21.0	CF/CM64D	1525	55.0	38.1	14.00	12.00	57.0	37.0	9.00	7.80	3.72	2.72
YHE60B22S	TM9E120D20MP11	24.5	CF/CM64D	1400	54.5	35.8	14.25	12.00	56.5	37.2	9.25	-	3.74	2.76
YHE60B22S	TM9V120D20MP11C	24.5	CF/CM64D	1525	54.5	37.0	14.00	12.00	57.0	37.6	9.00	-	3.80	2.78
YHE60B22S	TM9V120D20MP12C	24.5	CF/CM64D	1525	54.5	37.0	14.00	12.00	57.0	37.6	9.00	-	3.80	2.78
YHE60B22S	TM9Y100C20MP11	21.0	CF/CM64D	1400	54.0	35.8	14.00	12.00	56.5	37.4	9.00	-	3.72	2.76
YHE60B22S	TM9Y120D20MP11	24.5	CF/CM64D	1400	54.5	35.8	14.25	12.00	56.5	37.2	9.25	-	3.74	2.76
YHE60B22S	TMLE080C20MP11	21.0	CF/CM64D	1575	55.0	38.4	14.00	12.00	57.0	37.2	9.00	7.80	3.74	2.72
YHE60B22S	TMLE100C20MP11	21.0	CF/CM64D	1525	55.0	38.1	14.00	12.00	57.0	37.0	9.00	7.75	3.72	2.70
YHE60B22S	TMLE120C20MP11	21.0	CF/CM64D	1525	55.0	38.1	14.00	12.00	57.0	37.0	9.00	7.80	3.72	2.72

SYSTEM CAPACITY - With High Efficiency Motor Furnaces¹

UNIT MODEL	FURNACE		COIL MODEL ²	COOLING					HEATING					
	MODEL	WIDTH		RATED CFM	NET MBH		SEER	EER	NET MBH		HSPF Region IV	HSPF Region V	COP	
					TOTAL	SENS.			47°F OD	17°F OD			47°F OD	17°F OD
YHE60B22S	TMLE130D20MP11	24.5	CF/CM64D	1625	55.0	38.8	14.00	12.00	57.5	37.6	9.00	7.75	3.76	2.72
YHE60B22S	TMLV100C20MP11C	21.0	CF/CM64D	1425	54.5	36.0	14.00	12.00	56.5	37.4	9.25	–	3.72	2.76
YHE60B22S	TMLV100C20MP12C	21.0	CF/CM64D	1425	54.5	36.0	14.00	12.00	56.5	37.4	9.25	–	3.72	2.76
YHE60B22S	TMLV120C20MP11C	21.0	CF/CM64D	1425	54.5	36.0	14.00	12.00	56.5	37.4	9.25	–	3.72	2.76
YHE60B22S	TMLV120C20MP12C	21.0	CF/CM64D	1425	54.5	36.0	14.00	12.00	56.5	37.4	9.25	–	3.72	2.76
YHE60B22S	TMLX080C16MP11	21.0	CF/CM64D	1400	54.0	35.8	14.00	12.00	56.5	37.4	9.25	–	3.70	2.74
YHE60B22S	TMLX100C16MP11	21.0	CF/CM64D	1400	54.0	35.8	14.00	12.00	56.5	37.4	9.25	–	3.70	2.74
YHE60B22S	TMLX100C20MP11	21.0	CF/CM64D	1450	54.5	36.4	14.25	12.00	56.5	37.4	9.25	–	3.78	2.78
YHE60B22S	TMLX120C20MP11	21.0	CF/CM64D	1450	54.5	36.4	14.25	12.00	56.5	37.4	9.25	–	3.78	2.78
YHE60B22S	TP9C120D20MP12C	24.5	CF/CM64D	1525	54.5	37.0	14.00	12.00	57.0	37.6	9.00	–	3.80	2.78
YHE60B22S	TP9C120D20MP13C	24.5	CF/CM64D	1525	54.5	37.0	14.00	12.00	57.0	37.6	9.00	–	3.80	2.78
YHE60B22S	TPLC100C20MP12C	21.0	CF/CM64D	1425	54.5	36.0	14.00	12.00	56.5	37.4	9.25	–	3.72	2.76
YHE60B22S	TPLC100C20MP13C	21.0	CF/CM64D	1425	54.5	36.0	14.00	12.00	56.5	37.4	9.25	–	3.72	2.76
YHE60B22S	TPLC120C20MP12C	21.0	CF/CM64D	1425	54.5	36.0	14.00	12.00	56.5	37.4	9.25	–	3.72	2.76
YHE60B22S	TPLC120C20MP13C	21.0	CF/CM64D	1425	54.5	36.0	14.00	12.00	56.5	37.4	9.25	–	3.72	2.76
YHE60B22S	YP9C120D20MP12C	24.5	CF/CM64D	1525	54.5	37.0	14.00	12.00	57.0	37.6	9.00	–	3.80	2.78
YHE60B22S	YP9C120D20MP13C	24.5	CF/CM64D	1525	54.5	37.0	14.00	12.00	57.0	37.6	9.00	–	3.80	2.78
YHE60B22S	YPLC100C20MP12C	21.0	CF/C	1425	54.5	36.0	14.00	12.00	56.5	37.4	9.25	–	3.72	2.76
YHE60B22S	YPLC100C20MP13C	21.0	CF/CM64D	1425	54.5	36.0	14.00	12.00	56.5	37.4	9.25	–	3.72	2.76
YHE60B22S	YPLC120C20MP12C	21.0	CF/CM64D	1425	54.5	36.0	14.00	12.00	56.5	37.4	9.25	–	3.72	2.76
YHE60B22S	YPLC120C20MP13C	21.0	CF/CM64D	1425	54.5	36.0	14.00	12.00	56.5	37.4	9.25	–	3.72	2.76

For rated condition information, see the footnotes below the System Capacity - Single Piece and Modular Air Handlers table.

1. High Efficiency Motor Furnaces have B.O.D. (Blower on Delay) standard.
2. CM coils available with a factory installed horizontal drain pan. See price pages for specific model number.
PSC furnaces, such as the TG8S, TGLS, and TG9S, use Coil Only Ratings.

APPLICATION & ACCESSORIES

Refer to Price Manual for specific model numbers.

Standard Application Limits*		
Maximum Lineset Equivalent Length	80 Ft	
Outdoor Ambient Temperature Limits		
Cooling Operation	Maximum DB	125°F
	Minimum DB	55°F
Heating Operation	Maximum DB	75°F
	Minimum DB	-20°F

* For applications such as Low Ambient, reduced linesets, and/or long linesets, see the accessories listed below.

Non-Standard Lineset Applications - For installations with reduced diameter or long linesets, refer to the current version of the Piping Application Guide P/N 247077, available in the Application Bulletins section on www.simplygettingthejobdone.com.

Standard Low Ambient Control Kit S1-2LA06700424: Allows the use of air conditioning at low outdoor ambient temperatures down to +20°F (-7°C). For use with all R-410A single stage AC & HP models.

Advanced Low Ambient Control Kit S1-2LA04701024: Contains the necessary components and controls to allow cooling operation down to -20°F (-29°C). For use with some R-410A single stage AC & HP models. This accessory can only be applied to models that contain a PSC outdoor fan motor.

High Ambient Outdoor Fan Motor S1-FHM**HT:** Class F 70°C motor to allow cooling operation up to 160°F air entering the outdoor coil. For use with all R-410A single stage AC & HP models containing R-410A refrigerant only.

Start Assist Kit S1-2SA067**:** Provides increased compressor starting torque for areas with low supply voltage. Required for units with recip compressors when applied with indoor TXV, and for all units when applied with long linesets or low ambient kits. May be factory installed on select AC & HP units (see Physical & Electrical Table). See Price Pages or Source1 SmartSearch for the correct kit for each application.

Support Feet S1-HPRKIT-:** Kit of 5 support feet to raise unit above snow or landscaping. Available in heights of 3", 6" or 12".

Compressor Crankcase Heater Kit (S1-025***):** A wrap-around electrical resistance heater that warms the compressor sump, reducing the chance of liquid slugging on startup. Required on all long lineset and low ambient applications. See Price Pages or Source1 SmartSearch for the correct part for each application.

Anchor Bracket Kit S1-1HK0401: Firmly anchors unit to pad or support structure. When properly installed, approved for ground-mounted or roof-mounted applications.

Indoor TXV Kit S1-1TVM*:** Thermal expansion valves precisely meter refrigerant for optimum performance over a wide range of conditions. See System Charge Table, Price Pages, or Source1 Smart Search for TXV part number for each AC & HP model.

Wall Mount Kit (S1-ACB-):** Includes two brackets to allow outdoor unit to be securely mounted to a vertical wall. Mounting hardware is field sourced according to the specific application.

Winter Cover Kit S1-CCVRE*:** Custom fit winter cover protects outdoor unit from debris during the off-season. Must be removed prior to unit operation. See Price Pages or Source1 SmartSearch for the correct cover for each application.

Cold Weather Charging Tent S1-CHGTENT01: Provides warm environment to accurately service AC & HP systems in ambient conditions 55°F (13°C) or colder.

Touch-up Paint S1-5130153**:** Color matched aerosol paint for touching up unit chassis and panels. See Price Pages or Source1 SmartSearch for the correct color for each application.

Compressor Sound Blanket S1-010-07xxx-000: A field installed dense foam cover that provides 2dBA sound level reduction. See Price Pages or Source1 SmartSearch for the correct blanket for each application.

Thermostat: Compatible thermostat controls are available through accessory sourcing. For optimum performance, these outdoor units are fully compatible with our York Hx™ Touch-screen Thermostats available through Source1. For more information, see the thermostat section of the Product Equipment Catalog.

SOUND POWER RATINGS - COOLING

Cooling Model Number	Octave Band Sound Power Level (db re. 1-pW)									
	63	125	250	500	1000	2000	4000	8000	dBA	SQI
YHE18B21S	69.3	72.8	66.8	69.1	66.7	63.6	59.3	59.7	72	19.1
YHE24B21S	70.0	70.1	67.6	70.0	67.3	63.5	60.7	56.8	72	19.1
YHE30B21S	68.0	70.6	68.3	70.0	68.9	65.5	64.7	61.1	74	19.0
YHE35B21S	67.9	72.6	68.3	70.5	68.0	63.6	59.7	56.5	72	19.2
YHE36B22SS	68.4	70.2	68.8	68.9	69.0	65.0	63.3	60.2	73	19.1
YHE42B23S	69.3	72.9	65.6	68.9	72.1	62.9	57.6	53.1	74	19.2
YHE48B22S	58.0	70.7	64.1	68.3	66.1	61.7	57.9	56.0	75	19.0
YHE60B22S	69.1	71.6	68.9	71.3	70.2	65.5	61.5	58.4	74	19.0

Rated in accordance with ARI Standard 270.

SOUND POWER RATINGS - HEATING

Heating Model Number	Octave Band Sound Power Level (db re. 1-pW)									dBA	SQI
	63	125	250	500	1000	2000	4000	8000			
YHE18B21S	69.9	73.1	68.0	69.3	66.1	63.6	59.2	58.0	72	19.0	
YHE24B21S	69.7	69.7	66.7	71.2	66.9	63.2	60.3	56.5	72	19.0	
YHE30B21S	70.3	74.6	70.5	71.9	68.9	66.0	60.4	58.7	74	19.2	
YHE35B21S	64.3	73.7	67.7	73.6	68.0	63.4	60.2	61.1	73	19.1	
YHE36B22SS	69.3	70.0	70.8	71.3	70.8	67.1	62.5	61.3	75	19.0	
YHE42B23S	69.2	68.4	65.9	70.8	69.3	64.6	62.1	57.9	73	19.1	
YHE48B22S	61.2	69.6	65.8	68.1	65.5	60.3	55.2	52.4	74	19.0	
YHE60B22S	72.6	73.4	70.8	71.9	69.0	67.2	65.4	65.5	75	19.1	

Rated in accordance with ARI Standard 270.

MECHANICAL SPECIFICATIONS

MANUFACTURE AND CERTIFICATIONS

- Units shall be manufactured in an ISO 9001 certified facility.
- Units shall be certified by CSA to UL 1995 / CSA 22.2 and performance certified to ANSI/AHRI Standard 210/240.
- Units shall be sound tested according to ANSI/AHRI Standard 270.
- Certified matched system ratings will be available for download from the AHRI online directory at www.ahridirectory.org.
- Unit packaging shall be marked, "Assembled in the USA"

UNIT APPLICATION

- Units shall be approved for cooling operation between 55°F and 125°F without modification.
- Units shall be approved for heating operation between -20°F and 75°F without modification.
- Units shall be approved for linesets up to 80 feet equivalent length without modification.
- Units shall be approved for installation within 6 inches of a flat vertical wall without modification, according to the instructions in the technical literature.
- Units shall be certified to the 5th Edition (2014) of the Florida Building Code for a combined allowable lateral and uplift wind force of 200 psf and 100 psf, respectively, for both ground-mounted and rooftop-mounted applications up to 200 feet above grade with approved mounting kit
- Units shall be designed to 76dBA or less to minimize sound pollution.

UNIT ACCESS

- Units shall have a removable fan guard that can be removed independently of the top for interior access through the top of the unit without damaging the coil.
- Units shall have two removable stamped steel coil guards for exterior coil access.
- Units shall have a separate compartment for electrical controls that can be accessed without disturbing the unit airflow.
- Units shall have a blockoff panel that can be removed to provide interior unit access through the side of the unit.
- Units shall have a removable blockoff panel and a swing away removable electrical panel that provides sufficient interior unit access for removing the compressor through the side of the unit.

UNIT CONSTRUCTION

- Units shall be shipped completely wired, piped and assembled. Wiring pigtailed shall be provided for field control wiring connections. Service valves shall be provided for field refrigerant line connections.

- Units shall be factory leak checked, run tested, and shipped with a holding charge of R-410A refrigerant.
- Unit cabinet components shall be G90 equivalent steel finished with powder-coat paint rated at a minimum of 500 hours under ASTM B117 testing.
- Unit base pan shall be stamped G90 equivalent steel finished with powder-coat paint rated at a minimum of 500 hours under ASTM B117 testing.
- Units shall have a single corner post opposite the electrical control box and two independently removable steel coil guard panels to optimize cabinet strength and serviceability.
- Units shall have L-shaped stamped sheet metal coil guards with punched and extruded slots for maximum panel durability and stiffness.
- Units shall have a factory installed filter-drier for faster installation and improved system reliability.
- Unit base valves shall be mounted diagonally on the unit base pan with service ports that provide sufficient clearance for low-loss hose fittings.
- Units shall be constructed with a high pressure switch for system protection.
- Units shall be constructed with all badging and labels applied at the factory.

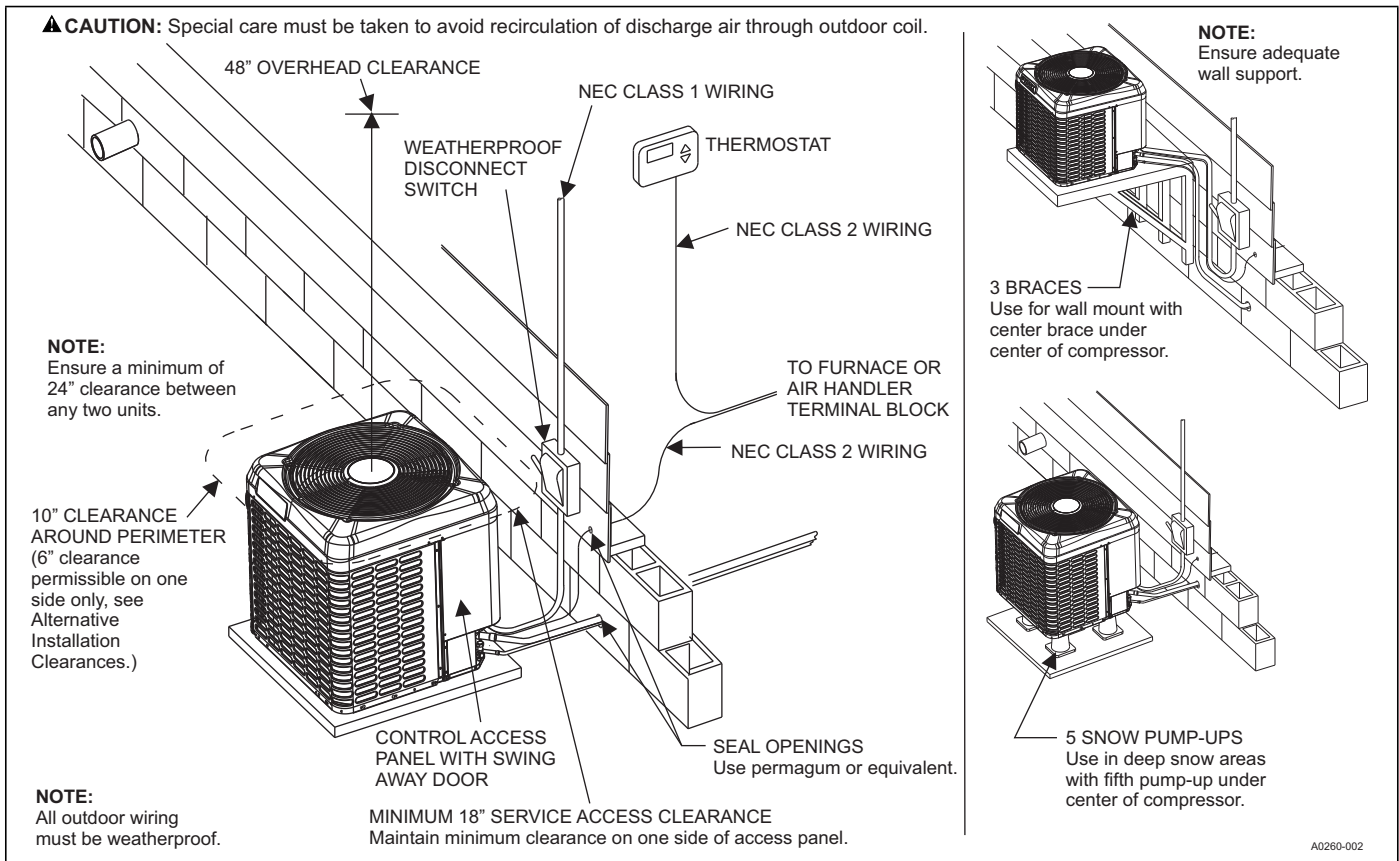
UNIT COMPONENTS

- Compressor shall be hermetic with internal electrical overload protection and internal overpressure protection.
- Compressor shall be mounted on rubber vibration isolators that do not require the removal of transportation clips or brackets.
- Units shall be constructed with internally sprung reciprocating compressors for low vibration. (Applies to select models).
- Outdoor fan shall be direct drive with vertical air discharge for low sound levels.
- Outdoor fan motor shall be totally enclosed with permanently lubricated ball bearings motors approved for vertical shaft applications.
- Outdoor coil shall be air cooled and constructed of enhanced aluminum fins mechanically bonded to internally enhanced Ø 7mm copper tubing.

UNIT WARRANTIES

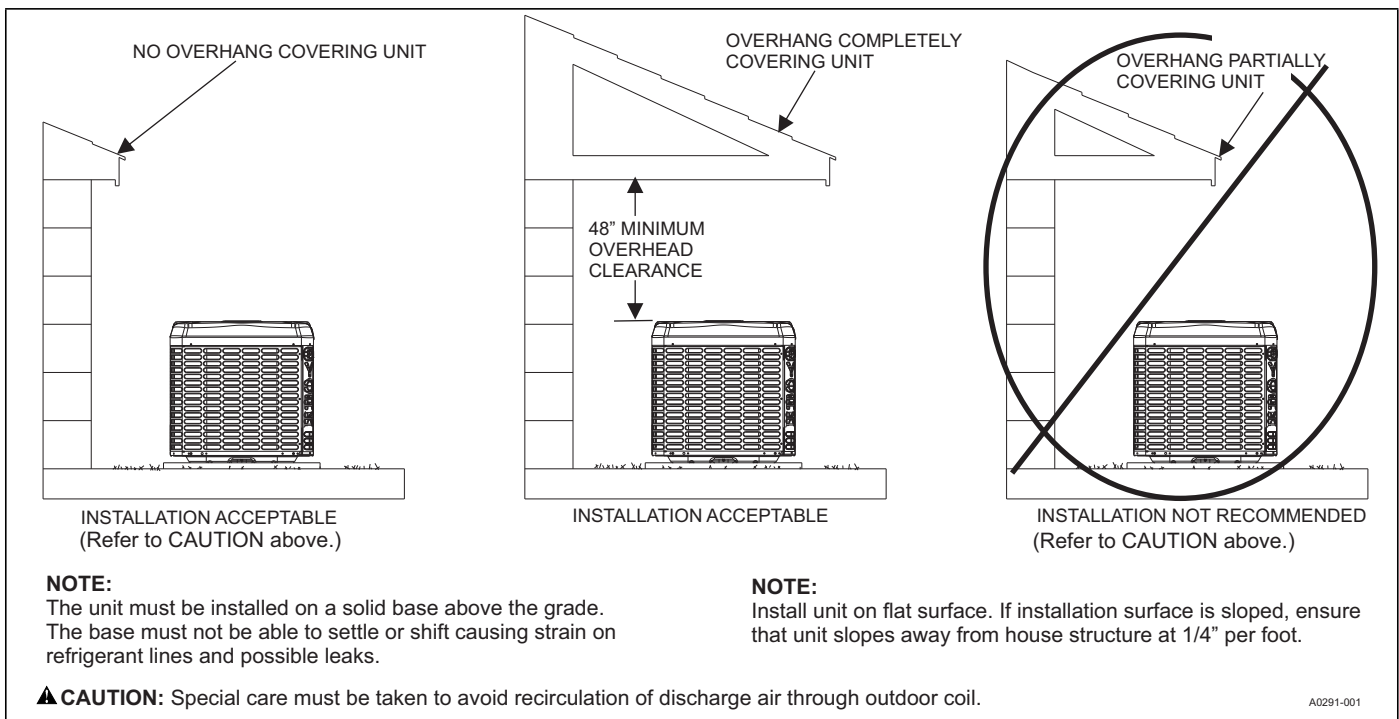
- Unit manufacturer shall provide a 10-Year compressor warranty without a requirement for unit registration.
- Unit manufacturer shall provide a 5-Year parts warranty without a requirement for unit registration.

TYPICAL INSTALLATION

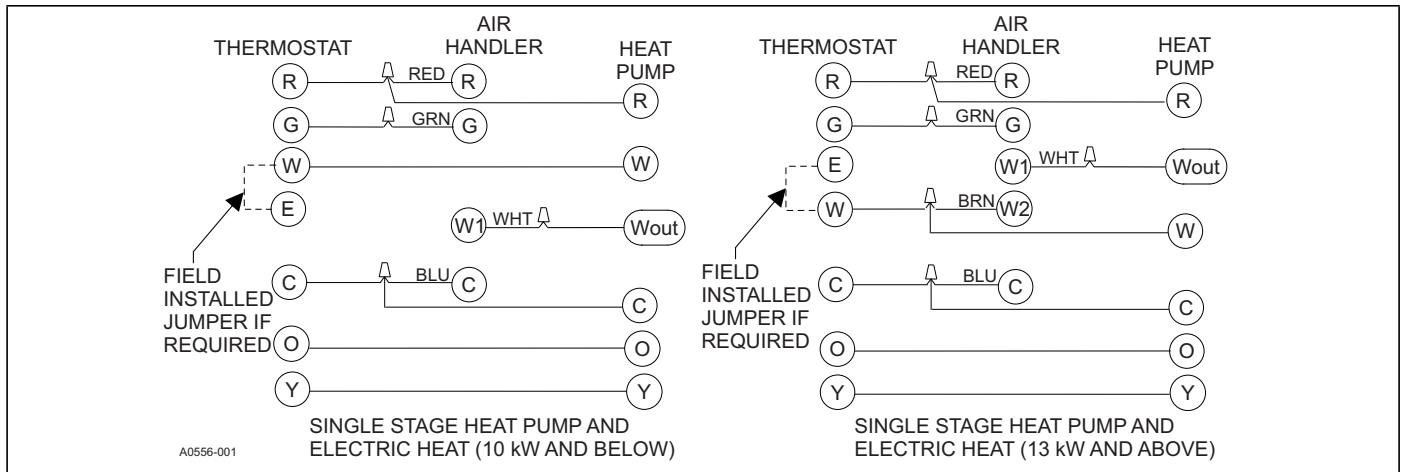


▲ CAUTION

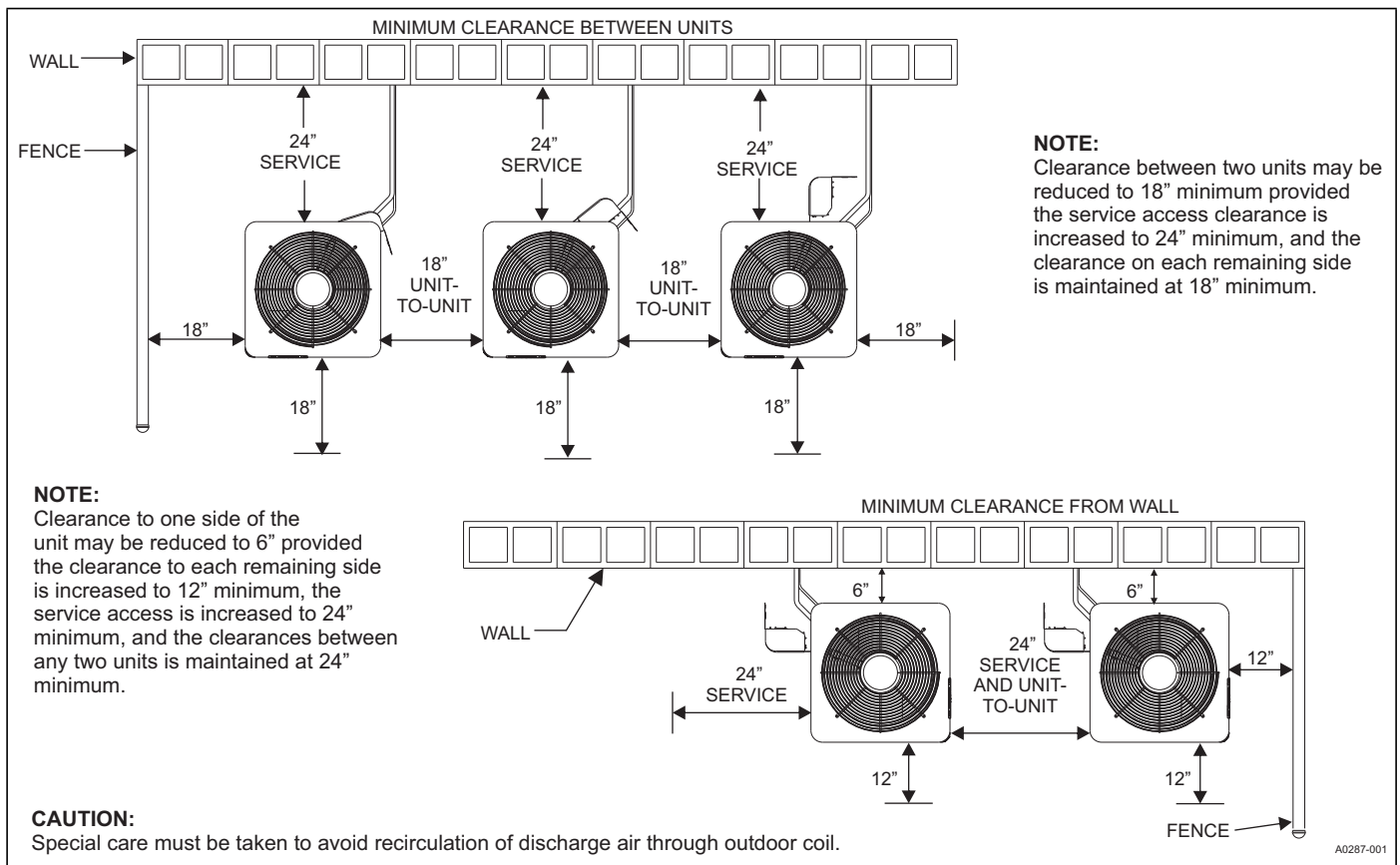
Care must be taken to prevent ice from damaging the unit. Damage may occur from ice falling onto unit from a sloped roof or from a vertical drip line due to a partial overhang.



TYPICAL FIELD WIRING



ALTERNATIVE INSTALLATION CLEARANCES



PERFORMANCE DATA - 1.5 TON

CONDENSER-ONLY DATA (OUTDOOR UNIT)																
MODEL	SATURATED SUCTION @ COMPRESSOR		Outdoor Ambient Temperature													
			65 °F		75 °F		85 °F		95 °F		105 °F		115 °F		125 °F	
	T (°F)	P (PSIG)	MBH	KW	MBH	KW	MBH	KW	MBH	KW	MBH	KW	MBH	KW	MBH	KW
YHE18B21S	35	107	16.2	0.94	15.4	1.06	14.5	1.20	13.6	1.35	12.6	1.53	11.6	1.73	10.6	1.96
	40	119	17.9	0.92	17.0	1.05	16.0	1.81	15.0	1.33	14.0	1.51	12.9	1.72	11.8	1.95
	45	130	19.7	0.90	18.7	1.03	17.7	1.17	16.6	1.32	15.5	1.49	14.3	1.70	13.1	1.93
	50	143	21.7	0.88	20.6	1.01	19.5	1.15	18.3	1.30	17.1	1.49	15.8	1.68	14.5	1.90
	55	156	23.8	0.86	22.6	0.99	21.3	1.13	20.1	1.28	18.8	1.46	17.4	1.66	16.0	1.88

Notes:

- For Outdoor Unit (Condenser) performance only. Data does not include the effects of air handler power or heat.
- Performance based on 15°F subcooling and 15°F superheat at the Outdoor Unit base valves.
 - Increase capacity by 1% for each 2°F increase in subcooling.
 - Decrease capacity by 1% for each 2°F decrease in subcooling.
- Maximum recommended condensing temperature is 140°F.

COOLING PERFORMANCE DATA																	
AIR CONDITIONER MODEL NO.		YHE18B21S															
AIR TEMP. ENTERING OUTDOOR UNIT (°F)	IDCFM	450					600					750					
		ID DB (°F)	80	80	75	80	80	80	80	75	80	80	80	80	75	80	80
		ID WB (°F)	57	62	62	67	72	57	62	62	67	72	57	62	62	67	72
65	T.C.	17.0	18.5	18.7	20.4	22.2	18.4	19.4	19.3	21.1	22.6	19.7	20.3	19.9	21.8	23.1	
	S.C.	16.7	14.7	12.7	12.5	10.2	18.1	16.6	14.3	14.1	11.1	19.6	18.6	15.9	15.8	12.0	
	KW	1.10	1.10	1.10	1.10	1.09	1.15	1.16	1.16	1.15	1.14	1.20	1.21	1.21	1.21	1.20	
75	T.C.	16.4	17.6	17.9	19.6	21.5	17.7	18.4	18.5	20.3	22.0	19.0	19.1	19.0	21.0	22.4	
	S.C.	16.1	14.4	12.3	12.2	9.9	17.5	16.7	13.9	13.9	10.8	18.8	19.0	15.5	15.6	11.7	
	KW	1.21	1.21	1.21	1.21	1.20	1.26	1.26	1.26	1.26	1.25	1.31	1.32	1.32	1.31	1.30	
85	T.C.	15.8	17.1	17.1	18.9	20.6	17.0	17.6	17.6	19.4	21.0	18.2	18.1	18.1	20.0	21.4	
	S.C.	15.5	13.9	12.0	12.0	9.6	16.8	16.0	13.6	13.6	10.5	18.1	18.1	15.2	15.2	11.5	
	KW	1.35	1.35	1.35	1.35	1.34	1.40	1.41	1.40	1.40	1.39	1.45	1.46	1.46	1.45	1.45	
95	T.C.	15.2	16.7	16.2	18.1	19.6	16.3	16.9	16.7	18.5	20.0	17.4	17.1	17.2	18.9	20.3	
	S.C.	14.9	13.3	11.7	11.7	9.2	16.1	15.2	13.3	13.3	10.2	17.3	17.1	14.9	14.8	11.2	
	KW	1.49	1.49	1.49	1.49	1.48	1.54	1.55	1.55	1.54	1.53	1.59	1.60	1.60	1.59	1.59	
105	T.C.	14.4	15.4	15.1	17.0	18.4	15.4	15.8	15.6	17.3	18.7	16.4	16.1	16.0	17.7	18.9	
	S.C.	14.2	12.9	11.2	11.2	8.8	15.2	14.5	12.8	12.8	9.7	16.3	16.1	14.3	14.3	10.7	
	KW	1.71	1.69	1.70	1.69	1.68	1.75	1.75	1.75	1.74	1.73	1.80	1.81	1.81	1.79	1.79	
115	T.C.	13.5	14.3	14.1	15.9	17.2	14.5	14.7	14.5	16.2	17.4	15.5	15.1	14.9	16.5	17.6	
	S.C.	13.4	12.6	10.7	10.8	8.4	14.4	13.8	12.2	12.3	9.3	15.4	15.1	13.8	13.9	10.2	
	KW	1.92	1.89	1.89	1.88	1.87	1.96	1.95	1.95	1.93	1.93	2.00	2.00	2.01	1.99	1.98	
125	T.C.	12.7	13.1	13.1	14.8	16.0	13.6	13.6	13.4	15.1	16.2	14.5	14.1	13.7	15.3	16.3	
	S.C.	12.7	12.2	10.2	10.3	8.0	13.6	13.2	11.7	11.9	8.9	14.4	14.1	13.2	13.4	9.7	
	KW	2.14	2.09	2.09	2.08	2.06	2.17	2.15	2.15	2.13	2.12	2.20	2.20	2.21	2.18	2.17	

NOTE: ALL CAPACITIES INCLUDE INDOOR FAN HEAT. KW VALUES ARE FOR THE SYSTEM (OUTDOOR + INDOOR).

Green shaded cells are ACCA (TVA) conditions.

Blue shaded cells are AHRI conditions.

Multipliers for determining the performance with other indoor sections.

NOTE: For dry bulb temperatures different than those listed (between 73-87 °F), sensible capacity increases by 1060 BTUH per 1000 CFM per degree above the listed temperature and decreases by 1060 BTUH per 1000 CFM per degree below the listed temperature.

COIL MULTIPLIERS- 1.5 TON

Air Handler	Coil	T.C.	S.C.	KW
-	CF/CM/CU18A	1.00	1.09	0.98
-	CF/CM/CU18B	1.00	1.09	0.98
-	CF/CM/CU24A	1.00	1.09	0.98
-	CF/CM/CU24B	1.00	1.09	0.98
-	CF/CM24C	0.99	0.98	0.99
-	CF/CM24C	0.99	0.98	0.99
-	CF18ABAA1	1.00	1.09	0.98
-	CF18BBAA1	1.00	1.09	0.98
-	CF24ABAA1	1.00	1.09	0.98
-	CF24BBAA1	1.00	1.09	0.98
-	CM18ABAA1	1.00	1.09	0.98
-	CM24ABAA1	1.00	1.09	0.98
-	CM24BBAA1	1.00	1.09	0.98
AE18BBA21	-	1.00	1.14	0.92
AE18BX21	-	1.00	1.06	0.94
AE24BBA21	-	1.00	1.14	0.92
AE24BX21	-	1.00	1.14	0.92
AP18BBA21	-	1.00	1.00	1.00
AP18BX21	-	1.00	1.00	1.00
AP24BBA21	-	1.00	1.06	1.00
AP24BX21	-	1.00	1.06	1.00
AVC18BX21	-	1.00	1.13	0.92
AVC24BX21	-	1.00	1.13	0.92
ME08BN21	CF/CM18B	1.00	1.06	0.92
ME08BN21	CF/CM24B	1.00	1.05	0.92
ME08BN21	CF18BBAA1	1.00	1.06	0.95
ME08BN21	CF24BBAA1	1.00	1.05	0.92
ME08BN21	CM24BBAA1	1.00	1.06	0.95
ME12BN21	CF/CM18B	1.00	1.14	0.92
ME12BN21	CF/CM24B	1.00	1.14	0.92
ME12BN21	CF18BBAA1	1.00	1.14	0.92
ME12BN21	CF24BBAA1	1.00	1.14	0.92
ME12BN21	CM24BBAA1	0.99	1.04	0.99
MVC08BN21	CF/CM18B	1.00	1.10	0.92
MVC08BN21	CF/CM24B	1.00	1.13	0.92
MVC08BN21	CF18BBAA1	0.99	1.02	0.93
MVC08BN21	CF24BBAA1	1.00	1.13	0.92
MVC08BN21	CM24BBAA1	1.00	1.06	0.95
MVC12CN21	CF/CM24C	1.00	1.13	0.92

FURNACE MULTIPLIERS- 1.5 TON

Furnaces	Coil	T.C.	S.C.	KW
TL8E060A12UH11	CF/CM/CU18B	1.00	1.11	0.92
TL8E060A12UH11	CF/CM/CU24B	1.00	1.16	0.92
TL8E060A12UH11	CF/CM24C	1.00	1.17	0.92
TL8E060A12UH11	CF18BBAA1	1.00	1.11	0.92
TL8E060A12UH11	CF24BBAA1	1.00	1.16	0.92
TL8E060A12UH11	CM24BBAA1	1.00	1.16	0.92
TL9E060B12UH11	CF/CM/CU18B	1.00	1.10	0.92
TL9E060B12UH11	CF/CM/CU24B	1.00	1.15	0.92
TL9E060B12UH11	CF/CM24C	1.00	1.15	0.92
TL9E060B12UH11	CF18BBAA1	1.00	1.10	0.92
TL9E060B12UH11	CF24BBAA1	1.00	1.15	0.92
TL9E060B12UH11	CM24BBAA1	1.00	1.15	0.92
TM8E040A12MP11	CF/CM/CU18A	1.00	1.11	0.92
TM8E040A12MP11	CF/CM/CU18B	1.00	1.13	0.92
TM8E040A12MP11	CF/CM/CU24A	1.00	1.15	0.92
TM8E040A12MP11	CF/CM/CU24B	1.00	1.20	0.92
TM8E040A12MP11	CF18ABAA1	1.00	1.11	0.92
TM8E040A12MP11	CF18BBAA1	1.00	1.13	0.92
TM8E040A12MP11	CF24ABAA1	1.00	1.15	0.92
TM8E040A12MP11	CF24BBAA1	1.00	1.20	0.92
TM8E040A12MP11	CM18ABAA1	1.00	1.11	0.92
TM8E040A12MP11	CM24ABAA1	1.00	1.15	0.92
TM8E040A12MP11	CM24BBAA1	1.00	1.20	0.92
TM8E060A12MP11	CF/CM/CU18A	1.00	1.16	0.92
TM8E060A12MP11	CF/CM/CU24A	1.00	1.20	0.92
TM8E060A12MP11	CF18ABAA1	1.00	1.16	0.92
TM8E060A12MP11	CF24ABAA1	1.00	1.20	0.92
TM8E060A12MP11	CM18ABAA1	1.00	1.16	0.92
TM8E060A12MP11	CM24ABAA1	1.00	1.20	0.92
TM8E080B12MP11	CF/CM/CU18B	1.00	1.16	0.92
TM8E080B12MP11	CF/CM/CU24B	1.00	1.20	0.92
TM8E080B12MP11	CF18BBAA1	1.00	1.16	0.92
TM8E080B12MP11	CF24BBAA1	1.00	1.20	0.92
TM8E080B12MP11	CM24BBAA1	1.00	1.20	0.92
TM8E100B12MP11	CF/CM/CU18B	1.00	1.15	0.92
TM8E100B12MP11	CF/CM/CU24B	1.00	1.20	0.92
TM8E100B12MP11	CF/CM24C	1.00	1.20	0.92
TM8E100B12MP11	CF18BBAA1	1.00	1.15	0.92
TM8E100B12MP11	CF24BBAA1	1.00	1.20	0.92
TM8E100B12MP11	CM24BBAA1	1.00	1.20	0.92
TM8V060A12MP11C	CF/CM/CU18A	1.00	1.10	0.92
TM8V060A12MP11C	CF/CM/CU18B	1.00	1.10	0.92
TM8V060A12MP11C	CF/CM/CU24A	1.00	1.10	0.92
TM8V060A12MP11C	CF/CM/CU24B	1.00	1.10	0.92
TM8V060A12MP11C	CF18ABAA1	1.00	1.10	0.92
TM8V060A12MP11C	CF18BBAA1	1.00	1.10	0.92
TM8V060A12MP11C	CF24ABAA1	1.00	1.10	0.92
TM8V060A12MP11C	CF24BBAA1	1.00	1.10	0.92
TM8V060A12MP11C	CM18ABAA1	0.98	0.98	0.96
TM8V060A12MP11C	CM24ABAA1	1.00	1.10	0.92
TM8V060A12MP11C	CM24BBAA1	1.00	1.10	0.92
TM8V060A12MP12C	CF/CM/CU18A	1.00	1.10	0.92
TM8V060A12MP12C	CF/CM/CU18B	1.00	1.10	0.92
TM8V060A12MP12C	CF/CM/CU24A	1.00	1.10	0.92
TM8V060A12MP12C	CF/CM/CU24B	1.00	1.10	0.92

FURNACE MULTIPLIERS- 1.5 TON (Continued)

Furnaces	Coil	T.C.	S.C.	KW
TM8V060A12MP12C	CF18ABAA1	1.00	1.10	0.92
TM8V060A12MP12C	CF18BBAA1	1.00	1.10	0.92
TM8V060A12MP12C	CF24ABAA1	1.00	1.10	0.92
TM8V060A12MP12C	CF24BBAA1	1.00	1.10	0.92
TM8V060A12MP12C	CM18ABAA1	1.00	1.10	0.92
TM8V060A12MP12C	CM24ABAA1	1.00	1.10	0.92
TM8V060A12MP12C	CM24BBAA1	1.00	1.10	0.92
TM8V080B12MP11C	CF/CM/CU18B	1.00	1.10	0.92
TM8V080B12MP11C	CF/CM/CU24B	1.00	1.10	0.92
TM8V080B12MP11C	CF/CM24C	1.00	1.10	0.92
TM8V080B12MP11C	CF18BBAA1	1.00	1.10	0.92
TM8V080B12MP11C	CF24BBAA1	1.00	1.13	0.98
TM8V080B12MP11C	CM24BBAA1	1.00	1.13	0.98
TM8V080B12MP12C	CF/CM/CU18B	1.00	1.10	0.92
TM8V080B12MP12C	CF/CM/CU24B	1.00	1.10	0.92
TM8V080B12MP12C	CF/CM/CU24C	1.00	1.10	0.92
TM8V080B12MP12C	CF/CM24C	1.00	1.10	0.92
TM8V080B12MP12C	CF18BBAA1	1.00	1.10	0.92
TM8V080B12MP12C	CF24BBAA1	1.00	1.10	0.92
TM8V080B12MP12C	CM24BBAA1	1.00	1.10	0.92
TM8X060A12MP11	CF/CM/CU18A	1.00	1.10	0.92
TM8X060A12MP11	CF/CM/CU18B	1.00	1.13	0.92
TM8X060A12MP11	CF/CM/CU24A	1.00	1.10	0.92
TM8X060A12MP11	CF/CM/CU24B	1.00	1.13	0.92
TM8X060A12MP11	CF18ABAA1	1.00	1.10	0.92
TM8X060A12MP11	CF18BBAA1	1.00	1.13	0.92
TM8X060A12MP11	CF24ABAA1	1.00	1.10	0.92
TM8X060A12MP11	CF24BBAA1	1.00	1.13	0.92
TM8X060A12MP11	CM18ABAA1	0.99	1.05	0.97
TM8X060A12MP11	CM24ABAA1	0.99	1.05	0.97
TM8X060A12MP11	CM24BBAA1	1.00	1.13	0.92
TM8X080B12MP11	CF/CM/CU18B	1.00	1.14	0.92
TM8X080B12MP11	CF/CM/CU24B	1.00	1.14	0.92
TM8X080B12MP11	CF/CM/CU24C	1.00	1.14	0.92
TM8X080B12MP11	CF/CM24C	1.00	1.14	0.92
TM8X080B12MP11	CF18BBAA1	1.00	1.14	0.92
TM8X080B12MP11	CF24BBAA1	1.00	1.14	0.92
TM8X080B12MP11	CM24BBAA1	1.00	1.05	0.98
TM8X080C16MP11	CF/CM24C	0.99	1.05	0.97
TM8X080C16MP11	CF/CM24C	0.99	1.05	0.97
TM8X100C16MP11	CF/CM24C	0.99	1.05	0.97
TM8X100C16MP11	CF/CM24C	0.99	1.05	0.97
TM8Y060A12MP11	CF/CM/CU18A	1.00	1.10	0.92
TM8Y060A12MP11	CF/CM/CU18B	1.00	1.13	0.92
TM8Y060A12MP11	CF/CM/CU24A	1.00	1.10	0.92
TM8Y060A12MP11	CF/CM/CU24B	1.00	1.13	0.92
TM8Y060A12MP11	CF18ABAA1	1.00	1.10	0.92
TM8Y060A12MP11	CF18BBAA1	1.00	1.13	0.92
TM8Y060A12MP11	CF24ABAA1	1.00	1.10	0.92
TM8Y060A12MP11	CF24BBAA1	1.00	1.13	0.92
TM8Y060A12MP11	CM18ABAA1	0.99	1.05	0.97
TM8Y060A12MP11	CM24ABAA1	0.99	1.05	0.97
TM8Y060A12MP11	CM24BBAA1	1.00	1.13	0.92
TM8Y080B12MP11	CF/CM/CU18B	1.00	1.14	0.92
TM8Y080B12MP11	CF/CM/CU24B	1.00	1.14	0.92
TM8Y080B12MP11	CF/CM24C	1.00	1.14	0.92
TM8Y080B12MP11	CF18BBAA1	1.00	1.16	0.92
TM8Y080B12MP11	CF24BBAA1	1.00	1.16	0.92
TM8Y080B12MP11	CF24BBAA1	1.00	1.16	0.92
TM8Y080B12MP11	CM24BBAA1	0.99	1.05	0.97
TM8Y080C16MP11	CF/CM24C	1.00	1.05	0.96
TM9E100C16MP11	CF/CM24C	1.00	1.05	0.96
TM9E100C16MP11	CF/CM24C	1.00	1.05	0.96

FURNACE MULTIPLIERS- 1.5 TON (Continued)

Furnaces	Coil	T.C.	S.C.	KW
TM8Y080B12MP11	CF/CM/CU24C	1.00	1.14	0.92
TM8Y080B12MP11	CF/CM24C	1.00	1.14	0.92
TM8Y080B12MP11	CF18BBAA1	1.00	1.14	0.92
TM8Y080B12MP11	CF24BBAA1	1.00	1.14	0.92
TM8Y080B12MP11	CM24BBAA1	1.00	1.05	0.98
TM8Y080C16MP11	CF/CM24C	0.99	1.05	0.97
TM8Y080C16MP11	CF/CM24C	0.99	1.05	0.97
TM8Y100C16MP11	CF/CM24C	0.99	1.05	0.97
TM8Y100C16MP11	CF/CM24C	0.99	1.05	0.97
TM9E040A10MP11	CF/CM/CU18A	1.00	1.01	0.94
TM9E040A10MP11	CF/CM/CU18B	1.00	1.06	0.94
TM9E040A10MP11	CF/CM/CU24A	1.00	1.00	0.98
TM9E040A10MP11	CF/CM/CU24B	1.00	1.02	0.96
TM9E040A10MP11	CF18ABAA1	1.00	1.01	0.94
TM9E040A10MP11	CF18BBAA1	1.00	1.06	0.94
TM9E040A10MP11	CF24ABAA1	1.00	1.00	0.98
TM9E040A10MP11	CF24BBAA1	1.00	1.02	0.96
TM9E040A10MP11	CM18ABAA1	0.99	1.05	0.95
TM9E040A10MP11	CM24ABAA1	1.00	1.05	0.96
TM9E040A10MP11	CM24BBAA1	1.00	1.02	0.96
TM9E040A10MP12	CF/CM/CU18A	1.00	1.05	0.94
TM9E040A10MP12	CF/CM/CU18B	1.00	1.08	0.94
TM9E040A10MP12	CF/CM/CU24A	1.00	1.10	0.92
TM9E040A10MP12	CF/CM/CU24B	1.00	1.13	0.92
TM9E040A10MP12	CF18ABAA1	1.00	1.05	0.94
TM9E040A10MP12	CF18BBAA1	1.00	1.08	0.94
TM9E040A10MP12	CF24ABAA1	1.00	1.10	0.92
TM9E040A10MP12	CF24BBAA1	1.00	1.13	0.92
TM9E040A10MP12	CM18ABAA1	1.00	1.05	0.94
TM9E040A10MP12	CM24ABAA1	1.00	1.10	0.92
TM9E040A10MP12	CM24BBAA1	1.00	1.13	0.92
TM9E060A10MP12	CF/CM/CU18A	1.00	1.12	0.94
TM9E060A10MP12	CF/CM/CU18B	1.00	1.14	0.94
TM9E060A10MP12	CF/CM/CU24A	1.00	1.16	0.92
TM9E060A10MP12	CF/CM/CU24B	1.00	1.19	0.92
TM9E060A10MP12	CF18ABAA1	1.00	1.12	0.94
TM9E060A10MP12	CF18BBAA1	1.00	1.14	0.94
TM9E060A10MP12	CF24ABAA1	1.00	1.16	0.92
TM9E060A10MP12	CF24BBAA1	1.00	1.19	0.92
TM9E060A10MP12	CM18ABAA1	1.00	1.12	0.94
TM9E060A10MP12	CM24ABAA1	1.00	1.16	0.92
TM9E060A10MP12	CM24BBAA1	1.00	1.19	0.92
TM9E060B12MP11	CF/CM/CU24B	0.99	1.05	0.97
TM9E060B12MP11	CF24BBAA1	0.99	1.05	0.97
TM9E060B12MP11	CM24BBAA1	0.99	1.05	0.97
TM9E080B12MP11	CF/CM/CU18B	1.00	1.16	0.92
TM9E080B12MP11	CF/CM/CU24B	1.00	1.16	0.92
TM9E080B12MP11	CF/CM24C	1.00	1.16	0.92
TM9E080B12MP11	CF18BBAA1	1.00	1.16	0.92
TM9E080B12MP11	CF24BBAA1	1.00	1.16	0.92
TM9E080B12MP11	CM24BBAA1	0.99	1.05	0.97
TM9E080C16MP11	CF/CM24C	1.00	1.05	0.96
TM9E100C16MP11	CF/CM24C	1.00	1.05	0.96
TM9E100C16MP11	CF/CM24C	1.00	1.05	0.96

FURNACE MULTIPLIERS- 1.5 TON (Continued)

Furnaces	Coil	T.C.	S.C.	KW
TM9V060B12MP11C	CF/CM/CU24B	1.00	1.05	0.95
TM9V060B12MP11C	CF24BBAA1	1.00	1.05	0.95
TM9V060B12MP11C	CM24BBAA1	1.00	1.05	0.95
TM9V060B12MP12C	CF/CM/CU18B	1.00	1.09	0.92
TM9V060B12MP12C	CF/CM/CU24B	1.00	1.09	0.92
TM9V060B12MP12C	CF/CM/CU24C	1.00	1.09	0.92
TM9V060B12MP12C	CF/CM24C	1.00	1.09	0.92
TM9V060B12MP12C	CF18BBAA1	1.00	1.09	0.92
TM9V060B12MP12C	CF24BBAA1	1.00	1.09	0.92
TM9V060B12MP12C	CM24BBAA1	1.00	1.09	0.92
TM9V080B12MP11C	CF/CM/CU18B	1.00	1.10	0.92
TM9V080B12MP11C	CF/CM/CU24B	1.00	1.10	0.92
TM9V080B12MP11C	CF/CM24C	1.00	1.10	0.92
TM9V080B12MP11C	CF18BBAA1	1.00	1.10	0.92
TM9V080B12MP11C	CF24BBAA1	1.00	1.05	0.95
TM9V080B12MP11C	CM24BBAA1	1.00	1.05	0.95
TM9V080B12MP12C	CF/CM/CU18B	1.00	1.10	0.92
TM9V080B12MP12C	CF/CM/CU24B	1.00	1.10	0.92
TM9V080B12MP12C	CF/CM/CU24C	1.00	1.10	0.92
TM9V080B12MP12C	CF/CM24C	1.00	1.10	0.92
TM9V080B12MP12C	CF18BBAA1	1.00	1.10	0.92
TM9V080B12MP12C	CF24BBAA1	1.00	1.10	0.92
TM9V080B12MP12C	CM24BBAA1	1.00	1.10	0.92
TM9Y040A10MP11	CF/CM/CU18A	1.00	1.01	0.94
TM9Y040A10MP11	CF/CM/CU18B	1.00	1.06	0.94
TM9Y040A10MP11	CF/CM/CU24A	1.00	1.00	0.98
TM9Y040A10MP11	CF/CM/CU24B	1.00	1.02	0.96
TM9Y040A10MP11	CF18ABAA1	1.00	1.01	0.94
TM9Y040A10MP11	CF18BBAA1	1.00	1.06	0.94
TM9Y040A10MP11	CF24ABAA1	1.00	1.00	0.98
TM9Y040A10MP11	CF24BBAA1	1.00	1.02	0.96
TM9Y040A10MP11	CM18ABAA1	0.99	1.05	0.95
TM9Y040A10MP11	CM24ABAA1	1.00	1.05	0.96
TM9Y040A10MP11	CM24BBAA1	1.00	1.02	0.96
TM9Y060B12MP11	CF/CM/CU24B	0.99	1.05	0.97
TM9Y060B12MP11	CF24BBAA1	0.99	1.05	0.97
TM9Y060B12MP11	CM24BBAA1	0.99	1.05	0.97
TM9Y080B12MP11	CF/CM/CU18B	1.00	1.16	0.92
TM9Y080B12MP11	CF/CM/CU24B	1.00	1.16	0.92
TM9Y080B12MP11	CF/CM/CU24C	1.00	1.16	0.92
TM9Y080B12MP11	CF/CM24C	1.00	1.16	0.92
TM9Y080B12MP11	CF18BBAA1	1.00	1.16	0.92
TM9Y080B12MP11	CF24BBAA1	1.00	1.16	0.92
TM9Y080B12MP11	CM24BBAA1	0.99	1.05	0.97
TM9Y080C16MP11	CF/CM24C	1.00	1.05	0.96
TM9Y100C16MP11	CF/CM24C	1.00	1.05	0.96
TM9Y100C16MP11	CF/CM24C	1.00	1.05	0.96
TMLE040A12MP11	CF/CM/CU18A	1.00	1.11	0.92
TMLE040A12MP11	CF/CM/CU18B	1.00	1.13	0.92
TMLE040A12MP11	CF/CM/CU24A	1.00	1.15	0.92
TMLE040A12MP11	CF/CM/CU24B	1.00	1.20	0.92
TMLE040A12MP11	CF18ABAA1	1.00	1.11	0.92
TMLE040A12MP11	CF18BBAA1	1.00	1.13	0.92
TMLE040A12MP11	CF24ABAA1	1.00	1.15	0.92
TMLE040A12MP11	CF24BBAA1	1.00	1.20	0.92

FURNACE MULTIPLIERS- 1.5 TON (Continued)

Furnaces	Coil	T.C.	S.C.	KW
TMLE040A12MP11	CM18ABAA1	1.00	1.11	0.92
TMLE040A12MP11	CM24ABAA1	1.00	1.15	0.92
TMLE040A12MP11	CM24BBAA1	1.00	1.20	0.92
TMLE060A12MP11	CF/CM/CU18A	1.00	1.16	0.92
TMLE060A12MP11	CF/CM/CU24A	1.00	1.20	0.92
TMLE060A12MP11	CF18ABAA1	1.00	1.16	0.92
TMLE060A12MP11	CF24ABAA1	1.00	1.20	0.92
TMLE060A12MP11	CM18ABAA1	1.00	1.16	0.92
TMLE060A12MP11	CM24ABAA1	1.00	1.20	0.92
TMLE080B12MP11	CF/CM/CU18B	1.00	1.16	0.92
TMLE080B12MP11	CF/CM/CU24B	1.00	1.20	0.92
TMLE080B12MP11	CF18BBAA1	1.00	1.16	0.92
TMLE080B12MP11	CF24BBAA1	1.00	1.20	0.92
TMLE080B12MP11	CM24BBAA1	1.00	1.20	0.92
TMLE100B12MP11	CF/CM/CU18B	1.00	1.15	0.92
TMLE100B12MP11	CF/CM/CU24B	1.00	1.20	0.92
TMLE100B12MP11	CF/CM24C	1.00	1.20	0.92
TMLE100B12MP11	CF18BBAA1	1.00	1.15	0.92
TMLE100B12MP11	CF24BBAA1	1.00	1.20	0.92
TMLE100B12MP11	CM24BBAA1	1.00	1.20	0.92
TMLV060A12MP11C	CF/CM/CU18A	1.00	1.10	0.92
TMLV060A12MP11C	CF/CM/CU18B	1.00	1.10	0.92
TMLV060A12MP11C	CF/CM/CU24A	1.00	1.10	0.92
TMLV060A12MP11C	CF/CM/CU24B	1.00	1.10	0.92
TMLV060A12MP11C	CF18ABAA1	1.00	1.10	0.92
TMLV060A12MP11C	CF18BBAA1	1.00	1.10	0.92
TMLV060A12MP11C	CF24ABAA1	1.00	1.10	0.92
TMLV060A12MP11C	CF24BBAA1	1.00	1.10	0.92
TMLV060A12MP11C	CM18ABAA1	0.98	0.98	0.96
TMLV060A12MP11C	CM24ABAA1	1.00	1.10	0.92
TMLV060A12MP11C	CM24BBAA1	1.00	1.10	0.92
TMLV060A12MP12C	CF/CM/CU18A	1.00	1.10	0.92
TMLV060A12MP12C	CF/CM/CU18B	1.00	1.10	0.92
TMLV060A12MP12C	CF/CM/CU24A	1.00	1.10	0.92
TMLV060A12MP12C	CF/CM/CU24B	1.00	1.10	0.92
TMLV060A12MP12C	CF18ABAA1	1.00	1.10	0.92
TMLV060A12MP12C	CF18BBAA1	1.00	1.10	0.92
TMLV060A12MP12C	CF24ABAA1	1.00	1.10	0.92
TMLV060A12MP12C	CF24BBAA1	1.00	1.10	0.92
TMLV060A12MP12C	CM18ABAA1	1.00	1.10	0.92
TMLV060A12MP12C	CM24ABAA1	1.00	1.10	0.92
TMLV060A12MP12C	CM24BBAA1	1.00	1.10	0.92
TMLV080B12MP11C	CF/CM/CU18B	1.00	1.10	0.92
TMLV080B12MP11C	CF/CM/CU24B	1.00	1.10	0.92
TMLV080B12MP11C	CF/CM24C	1.00	1.10	0.92
TMLV080B12MP11C	CF18BBAA1	1.00	1.10	0.92
TMLV080B12MP11C	CF24BBAA1	1.00	1.13	0.98
TMLV080B12MP11C	CM24BBAA1	1.00	1.13	0.98
TMLV080B12MP12C	CF/CM/CU18B	1.00	1.10	0.92
TMLV080B12MP12C	CF/CM/CU24B	1.00	1.10	0.92
TMLV080B12MP12C	CF/CM/CU24C	1.00	1.10	0.92
TMLV080B12MP12C	CF/CM24C	1.00	1.10	0.92
TMLV080B12MP12C	CF18BBAA1	1.00	1.10	0.92
TMLV080B12MP12C	CF24BBAA1	1.00	1.10	0.92
TMLV080B12MP12C	CM24BBAA1	1.00	1.10	0.92

FURNACE MULTIPLIERS- 1.5 TON (Continued)

Furnaces	Coil	T.C.	S.C.	KW
TMLX060A12MP11	CF/CM/CU18A	1.00	1.10	0.92
TMLX060A12MP11	CF/CM/CU18B	1.00	1.13	0.92
TMLX060A12MP11	CF/CM/CU24A	1.00	1.10	0.92
TMLX060A12MP11	CF/CM/CU24B	1.00	1.13	0.92
TMLX060A12MP11	CF18ABAA1	1.00	1.10	0.92
TMLX060A12MP11	CF18BBAA1	1.00	1.13	0.92
TMLX060A12MP11	CF24ABAA1	1.00	1.10	0.92
TMLX060A12MP11	CF24BBAA1	1.00	1.13	0.92
TMLX060A12MP11	CM18ABAA1	0.99	1.05	0.97
TMLX060A12MP11	CM24ABAA1	0.99	1.05	0.97
TMLX060A12MP11	CM24BBAA1	1.00	1.13	0.92
TMLX080B12MP11	CF/CM/CU18B	1.00	1.14	0.92
TMLX080B12MP11	CF/CM/CU24B	1.00	1.14	0.92
TMLX080B12MP11	CF/CM/CU24C	1.00	1.14	0.92
TMLX080B12MP11	CF/CM24C	1.00	1.14	0.92
TMLX080B12MP11	CF18BBAA1	1.00	1.14	0.92
TMLX080B12MP11	CF24BBAA1	1.00	1.14	0.92
TMLX080B12MP11	CM24BBAA1	1.00	1.05	0.98
TMLX080C16MP11	CF/CM24C	0.99	1.05	0.97
TMLX080C16MP11	CF/CM24C	0.99	1.05	0.97
TMLX100C16MP11	CF/CM24C	0.99	1.05	0.97
TMLX100C16MP11	CF/CM24C	0.99	1.05	0.97
TP9C060B12MP12C	CF/CM/CU24B	1.00	1.05	0.95
TP9C060B12MP12C	CF24BBAA1	1.00	1.05	0.95
TP9C060B12MP12C	CM24BBAA1	1.00	1.05	0.95
TP9C060B12MP13C	CF/CM/CU18B	1.00	1.09	0.92
TP9C060B12MP13C	CF/CM/CU24B	1.00	1.09	0.92
TP9C060B12MP13C	CF/CM/CU24C	1.00	1.09	0.92
TP9C060B12MP13C	CF/CM24C	1.00	1.09	0.92
TP9C060B12MP13C	CF18BBAA1	1.00	1.09	0.92
TP9C060B12MP13C	CF24BBAA1	1.00	1.09	0.92
TP9C060B12MP13C	CM24BBAA1	1.00	1.09	0.92
TP9C080B12MP12C	CF/CM/CU18B	1.00	1.10	0.92
TP9C080B12MP12C	CF/CM/CU24B	1.00	1.10	0.92
TP9C080B12MP12C	CF/CM24C	1.00	1.10	0.92
TP9C080B12MP12C	CF18BBAA1	1.00	1.10	0.92
TP9C080B12MP12C	CF24BBAA1	1.00	1.05	0.95
TP9C080B12MP12C	CM24BBAA1	1.00	1.05	0.95
TP9C080B12MP13C	CF/CM/CU18B	1.00	1.10	0.92
TP9C080B12MP13C	CF/CM/CU24B	1.00	1.10	0.92
TP9C080B12MP13C	CF/CM/CU24C	1.00	1.10	0.92
TP9C080B12MP13C	CF/CM24C	1.00	1.10	0.92
TP9C080B12MP13C	CF18BBAA1	1.00	1.10	0.92
TP9C080B12MP13C	CF24BBAA1	1.00	1.10	0.92
TP9C080B12MP13C	CM24BBAA1	1.00	1.10	0.92
TPLC060A12MP12C	CF/CM/CU18A	1.00	1.10	0.92
TPLC060A12MP12C	CF/CM/CU18B	1.00	1.10	0.92
TPLC060A12MP12C	CF/CM/CU24A	1.00	1.10	0.92
TPLC060A12MP12C	CF/CM/CU24B	1.00	1.10	0.92
TPLC060A12MP12C	CF18ABAA1	1.00	1.10	0.92
TPLC060A12MP12C	CF18BBAA1	1.00	1.10	0.92
TPLC060A12MP12C	CF24ABAA1	1.00	1.10	0.92
TPLC060A12MP12C	CF24BBAA1	1.00	1.10	0.92
TPLC060A12MP12C	CM18ABAA1	0.98	0.98	0.96
TPLC060A12MP12C	CM24ABAA1	1.00	1.10	0.92
TPLC060A12MP12C	CM24BBAA1	1.00	1.10	0.92

FURNACE MULTIPLIERS- 1.5 TON (Continued)

Furnaces	Coil	T.C.	S.C.	KW
TPLC060A12MP13C	CF/CM/CU18A	1.00	1.10	0.92
TPLC060A12MP13C	CF/CM/CU18B	1.00	1.10	0.92
TPLC060A12MP13C	CF/CM/CU24A	1.00	1.10	0.92
TPLC060A12MP13C	CF/CM/CU24B	1.00	1.10	0.92
TPLC060A12MP13C	CF18ABAA1	1.00	1.10	0.92
TPLC060A12MP13C	CF18BBAA1	1.00	1.10	0.92
TPLC060A12MP13C	CF24ABAA1	1.00	1.10	0.92
TPLC060A12MP13C	CF24BBAA1	1.00	1.10	0.92
TPLC060A12MP13C	CM18ABAA1	1.00	1.10	0.92
TPLC060A12MP13C	CM24ABAA1	1.00	1.10	0.92
TPLC060A12MP13C	CM24BBAA1	1.00	1.10	0.92
TPLC080B12MP12C	CF/CM/CU18B	1.00	1.10	0.92
TPLC080B12MP12C	CF/CM/CU24B	1.00	1.10	0.92
TPLC080B12MP12C	CF/CM24C	1.00	1.10	0.92
TPLC080B12MP12C	CF18BBAA1	1.00	1.10	0.92
TPLC080B12MP12C	CF24BBAA1	1.00	1.13	0.98
TPLC080B12MP12C	CM24BBAA1	1.00	1.13	0.98
TPLC080B12MP13C	CF/CM/CU18B	1.00	1.10	0.92
TPLC080B12MP13C	CF/CM/CU24B	1.00	1.10	0.92
TPLC080B12MP13C	CF/CM/CU24C	1.00	1.10	0.92
TPLC080B12MP13C	CF/CM24C	1.00	1.10	0.92
TPLC080B12MP13C	CF18BBAA1	1.00	1.10	0.92
TPLC080B12MP13C	CF24BBAA1	1.00	1.10	0.92
TPLC080B12MP13C	CM24BBAA1	1.00	1.10	0.92
YP9C060B12MP12C	CF/CM/CU24B	1.00	1.05	0.95
YP9C060B12MP12C	CF24BBAA1	1.00	1.05	0.95
YP9C060B12MP12C	CM24BBAA1	1.00	1.05	0.95
YP9C060B12MP13C	CF/CM/CU18B	1.00	1.09	0.92
YP9C060B12MP13C	CF/CM/CU24B	1.00	1.09	0.92
YP9C060B12MP13C	CF/CM/CU24C	1.00	1.09	0.92
YP9C060B12MP13C	CF/CM24C	1.00	1.09	0.92
YP9C060B12MP13C	CF18BBAA1	1.00	1.09	0.92
YP9C060B12MP13C	CF24BBAA1	1.00	1.09	0.92
YP9C060B12MP13C	CM24BBAA1	1.00	1.09	0.92
YP9C080B12MP12C	CF/CM/CU18B	1.00	1.10	0.92
YP9C080B12MP12C	CF/CM/CU24B	1.00	1.10	0.92
YP9C080B12MP12C	CF/CM24C	1.00	1.10	0.92
YP9C080B12MP12C	CF18BBAA1	1.00	1.09	0.92
YP9C080B12MP13C	CF24BBAA1	1.00	1.09	0.92
YP9C080B12MP13C	CM24BBAA1	1.00	1.09	0.92
YP9C080B12MP12C	CF/CM/CU18B	1.00	1.10	0.92
YP9C080B12MP12C	CF/CM/CU24B	1.00	1.10	0.92
YP9C080B12MP12C	CF/CM24C	1.00	1.10	0.92
YP9C080B12MP12C	CF18BBAA1	1.00	1.10	0.92
YP9C080B12MP12C	CF24BBAA1	1.00	1.05	0.95
YP9C080B12MP12C	CM24BBAA1	1.00	1.05	0.95
YP9C080B12MP13C	CF/CM/CU18B	1.00	1.10	0.92
YP9C080B12MP13C	CF/CM/CU24B	1.00	1.10	0.92
YP9C080B12MP13C	CF/CM/CU24C	1.00	1.10	0.92
YP9C080B12MP13C	CF/CM24C	1.00	1.10	0.92
YP9C080B12MP13C	CF18BBAA1	1.00	1.10	0.92
YP9C080B12MP13C	CF24BBAA1	1.00	1.10	0.92
YP9C080B12MP13C	CM24BBAA1	1.00	1.10	0.92
YPLC060A12MP12C	CF/CM/CU18A	1.00	1.10	0.92
YPLC060A12MP12C	CF/CM/CU18B	1.00	1.10	0.92
YPLC060A12MP12C	CF/CM/CU24A	1.00	1.10	0.92
YPLC060A12MP12C	CF/CM/CU24B	1.00	1.10	0.92
YPLC060A12MP12C	CF18ABAA1	1.00	1.10	0.92
YPLC060A12MP12C	CF18BBAA1	1.00	1.10	0.92
YPLC060A12MP12C	CF24ABAA1	1.00	1.10	0.92
YPLC060A12MP12C	CF24BBAA1	1.00	1.10	0.92
YPLC060A12MP12C	CM18ABAA1	0.98	0.98	0.96
YPLC060A12MP12C	CM24ABAA1	1.00	1.10	0.92
YPLC060A12MP12C	CM18ABAA1	0.98	0.98	0.96

FURNACE MULTIPLIERS- 1.5 TON (Continued)

Furnaces	Coil	T.C.	S.C.	KW
YPLC060A12MP12C	CM24ABAA1	1.00	1.10	0.92
YPLC060A12MP12C	CM24BBAA1	1.00	1.10	0.92
YPLC060A12MP13C	CF/CM/CU18A	1.00	1.10	0.92
YPLC060A12MP13C	CF/CM/CU18B	1.00	1.10	0.92
YPLC060A12MP13C	CF/CM/CU24A	1.00	1.10	0.92
YPLC060A12MP13C	CF/CM/CU24B	1.00	1.10	0.92
YPLC060A12MP13C	CF18ABAA1	1.00	1.10	0.92
YPLC060A12MP13C	CF18BBAA1	1.00	1.10	0.92
YPLC060A12MP13C	CF24ABAA1	1.00	1.10	0.92
YPLC060A12MP13C	CF24BBAA1	1.00	1.10	0.92
YPLC060A12MP13C	CM18ABAA1	1.00	1.10	0.92
YPLC060A12MP13C	CM24ABAA1	1.00	1.10	0.92
YPLC060A12MP13C	CM24BBAA1	1.00	1.10	0.92
YPLC080B12MP12C	CF/CM/CU18B	1.00	1.10	0.92

FURNACE MULTIPLIERS- 1.5 TON (Continued)

Furnaces	Coil	T.C.	S.C.	KW
YPLC080B12MP12C	CF/CM/CU24B	1.00	1.10	0.92
YPLC080B12MP12C	CF/CM24C	1.00	1.10	0.92
YPLC080B12MP12C	CF18BBAA1	1.00	1.10	0.92
YPLC080B12MP12C	CF24BBAA1	1.00	1.13	0.98
YPLC080B12MP12C	CM24BBAA1	1.00	1.13	0.98
YPLC080B12MP13C	CF/CM/CU18B	1.00	1.10	0.92
YPLC080B12MP13C	CF/CM/CU24B	1.00	1.10	0.92
YPLC080B12MP13C	CF/CM/CU24C	1.00	1.10	0.92
YPLC080B12MP13C	CF/CM24C	1.00	1.10	0.92
YPLC080B12MP13C	CF18BBAA1	1.00	1.10	0.92
YPLC080B12MP13C	CF24BBAA1	1.00	1.10	0.92
YPLC080B12MP13C	CM24BBAA1	1.00	1.10	0.92

HEATING PERFORMANCE DATA										
CONDENSING UNIT MODEL NO		YHE18B21S								
AIR TEMP. ENTERING OUTDOOR UNIT (°F)	AIR TEMP. ENTERING INDOOR COIL (°F)	ID CFM								
		450			600			750		
		MBH	COP	KW	MBH	COP	KW	MBH	COP	KW
60	60	21.9	4.08	1.57	22.7	4.41	1.51	23.6	4.76	1.45
	70	21.3	3.63	1.72	22.1	3.93	1.65	22.9	4.25	1.58
	80	20.7	3.25	1.87	21.5	3.50	1.80	22.3	3.80	1.72
47	60	18.9	3.70	1.50	19.3	3.91	1.45	19.7	4.10	1.41
	70	18.3	3.27	1.64	18.8	3.46	1.59	19.3	3.67	1.54
	80	17.6	2.90	1.78	18.2	3.09	1.73	18.8	3.28	1.68
40	60	17.3	3.47	1.46	17.9	3.66	1.43	18.4	3.86	1.40
	70	16.9	3.05	1.62	17.5	3.24	1.58	18.0	3.45	1.53
	80	16.4	2.70	1.78	17.0	2.88	1.73	17.6	3.09	1.67
30	60	15.0	3.10	1.42	15.5	3.22	1.41	16.0	3.37	1.39
	70	14.7	2.74	1.57	15.1	2.86	1.55	15.6	3.01	1.52
	80	14.3	2.44	1.72	14.8	2.56	1.69	15.2	2.70	1.65
17	60	10.8	2.40	1.32	11.8	2.61	1.33	12.9	2.79	1.35
	70	11.2	2.23	1.47	11.9	2.37	1.47	12.6	2.51	1.47
	80	11.6	2.08	1.63	11.9	2.17	1.61	12.3	2.25	1.60
10	60	10.5	2.33	1.32	10.9	2.39	1.33	11.20	2.47	1.33
	70	10.3	2.06	1.46	10.6	2.13	1.46	11.0	2.21	1.45
	80	10.0	1.83	1.60	10.4	1.91	1.59	10.7	2.00	1.57
0	60	8.0	1.83	1.29	8.3	1.87	1.30	8.6	1.93	1.30
	70	7.8	1.61	1.42	8.1	1.67	1.42	8.4	1.73	1.41
	80	7.6	1.44	1.56	7.9	1.49	1.55	8.2	1.57	1.53
-10	60	5.7	1.33	1.26	5.9	1.36	1.27	6.1	1.41	1.27
	70	5.6	1.17	1.39	5.8	1.21	1.39	5.9	1.26	1.38
	80	5.4	1.04	1.53	5.6	1.09	1.52	5.8	1.14	1.50
-20	60	3.4	0.81	1.22	3.5	0.83	1.23	3.6	0.86	1.23
	70	3.3	0.72	1.35	3.4	0.74	1.35	3.5	0.77	1.34
	80	3.2	0.64	1.48	3.3	0.66	1.47	3.5	0.70	1.45

NOTE: ALL CAPACITIES INCLUDE INDOOR FAN HEAT. KW VALUES ARE FOR THE SYSTEM (OUTDOOR + INDOOR).
 Yellow shaded cells are AHRI High Heating conditions.
 Orange shaded cells are AHRI Low Heating conditions.

Multipliers for determining the performance with other indoor sections.

COIL MULTIPLIERS- 1.5 TON

Air Handler	Coil	MBH	COP	KW
-	CF/CM/CU18A	0.99	1.00	0.99
-	CF/CM/CU18B	0.99	1.00	0.99
-	CF/CM/CU24A	0.99	1.00	0.99
-	CF/CM/CU24B	0.99	1.00	0.99
-	CF/CM24C	0.96	0.99	1.05
-	CF/CM24C	0.96	0.99	1.05
-	CF18ABAA1	0.99	1.00	0.99
-	CF18BBAA1	0.99	1.00	0.99
-	CF24ABAA1	0.99	1.00	0.99
-	CF24BBAA1	0.99	1.00	0.99
-	CM18ABAA1	0.99	1.00	0.99
-	CM24ABAA1	0.99	1.00	0.99
-	CM24BBAA1	0.99	1.00	0.99
AE18BBA21	-	0.99	1.10	0.90
AE18BX21	-	0.97	1.07	0.90
AE24BBA21	-	0.99	1.11	0.89
AE24BX21	-	0.99	1.11	0.89
AP18BBA21	-	1.00	1.00	1.00
AP18BX21	-	1.00	1.00	1.00
AP24BBA21	-	0.99	1.01	0.98
AP24BX21	-	0.99	1.01	0.98
AVC18BX21	-	0.99	1.09	0.91
AVC24BX21	-	0.99	1.10	0.90
ME08BN21	CF/CM18B	0.99	1.05	0.95
ME08BN21	CF/CM24B	0.99	1.07	0.93
ME08BN21	CF18BBAA1	0.95	1.08	0.88
ME08BN21	CF24BBAA1	0.99	1.07	0.93
ME08BN21	CM24BBAA1	0.96	1.09	0.88
ME12BN21	CF/CM18B	0.99	1.10	0.90
ME12BN21	CF/CM24B	0.99	1.11	0.89
ME12BN21	CF18BBAA1	0.99	1.10	0.90
ME12BN21	CF24BBAA1	0.99	1.11	0.89
ME12BN21	CM24BBAA1	0.96	1.02	0.94
MVC08BN21	CF/CM18B	0.99	1.10	0.90
MVC08BN21	CF/CM24B	0.99	1.10	0.90
MVC08BN21	CF18BBAA1	0.95	1.06	0.90
MVC08BN21	CF24BBAA1	0.99	1.10	0.90
MVC08BN21	CM24BBAA1	0.96	1.10	0.88
MVC12CN21	CF/CM24C	0.99	1.11	0.89

FURNACE MULTIPLIERS- 1.5 TON

Furnaces	Coil	MBH	COP	KW
TL8E060A12UH11	CF/CM/CU18B	0.99	1.10	0.90
TL8E060A12UH11	CF/CM/CU24B	0.97	1.03	0.94
TL8E060A12UH11	CF/CM24C	0.97	1.05	0.93
TL8E060A12UH11	CF18BBAA1	0.99	1.10	0.90
TL8E060A12UH11	CF24BBAA1	0.97	1.03	0.94
TL8E060A12UH11	CM24BBAA1	0.97	1.03	0.94
TL9E060B12UH11	CF/CM/CU18B	0.99	1.10	0.90
TL9E060B12UH11	CF/CM/CU24B	0.97	1.02	0.95
TL9E060B12UH11	CF/CM24C	0.97	1.02	0.95
TL9E060B12UH11	CF18BBAA1	0.99	1.10	0.90
TL9E060B12UH11	CF24BBAA1	0.97	1.02	0.95
TL9E060B12UH11	CM24BBAA1	0.97	1.02	0.95
TM8E040A12MP11	CF/CM/CU18A	0.99	1.10	0.90
TM8E040A12MP11	CF/CM/CU18B	0.99	1.11	0.89
TM8E040A12MP11	CF/CM/CU24A	0.97	1.03	0.94
TM8E040A12MP11	CF/CM/CU24B	0.98	1.06	0.93
TM8E040A12MP11	CF18ABAA1	0.99	1.10	0.90
TM8E040A12MP11	CF18BBAA1	0.99	1.11	0.89
TM8E040A12MP11	CF24ABAA1	0.97	1.03	0.94
TM8E040A12MP11	CF24BBAA1	0.98	1.06	0.93
TM8E040A12MP11	CM18ABAA1	0.99	1.10	0.90
TM8E040A12MP11	CM24ABAA1	0.97	1.03	0.94
TM8E040A12MP11	CM24BBAA1	0.98	1.06	0.93
TM8E060A12MP11	CF/CM/CU18A	0.99	1.14	0.87
TM8E060A12MP11	CF/CM/CU24A	0.98	1.06	0.93
TM8E060A12MP11	CF18ABAA1	0.99	1.14	0.87
TM8E060A12MP11	CF24ABAA1	0.98	1.06	0.93
TM8E060A12MP11	CM18ABAA1	0.99	1.14	0.87
TM8E060A12MP11	CM24ABAA1	0.98	1.06	0.93
TM8E080B12MP11	CF/CM/CU18B	0.99	1.14	0.87
TM8E080B12MP11	CF/CM/CU24B	0.98	1.07	0.92
TM8E080B12MP11	CF18BBAA1	0.99	1.14	0.87
TM8E080B12MP11	CF24BBAA1	0.98	1.07	0.92
TM8E080B12MP11	CM24BBAA1	0.98	1.07	0.92
TM8E100B12MP11	CF/CM/CU18B	0.99	1.13	0.87
TM8E100B12MP11	CF/CM/CU24B	0.98	1.07	0.92
TM8E100B12MP11	CF/CM24C	0.98	1.07	0.91
TM8E100B12MP11	CF18BBAA1	0.99	1.13	0.87
TM8E100B12MP11	CF24BBAA1	0.98	1.07	0.92
TM8E100B12MP11	CM24BBAA1	0.98	1.07	0.92
TM8V060A12MP11C	CF/CM/CU18A	0.99	1.08	0.92
TM8V060A12MP11C	CF/CM/CU18B	0.99	1.09	0.91
TM8V060A12MP11C	CF/CM/CU24A	0.99	1.06	0.93
TM8V060A12MP11C	CF/CM/CU24B	0.99	1.07	0.93
TM8V060A12MP11C	CF18ABAA1	0.99	1.08	0.92
TM8V060A12MP11C	CF18BBAA1	0.99	1.09	0.91
TM8V060A12MP11C	CF24ABAA1	0.99	1.06	0.93
TM8V060A12MP11C	CF24BBAA1	0.99	1.07	0.93
TM8V060A12MP11C	CM18ABAA1	0.95	1.01	0.94
TM8V060A12MP11C	CM24ABAA1	0.99	1.06	0.93
TM8V060A12MP11C	CM24BBAA1	0.99	1.07	0.93
TM8V060A12MP12C	CF/CM/CU18A	0.99	1.08	0.92
TM8V060A12MP12C	CF/CM/CU18B	0.99	1.09	0.91
TM8V060A12MP12C	CF/CM/CU24A	0.99	1.06	0.93
TM8V060A12MP12C	CF/CM/CU24B	0.99	1.07	0.93

FURNACE MULTIPLIERS- 1.5 TON (Continued)

Furnaces	Coil	MBH	COP	KW
TM8V060A12MP12C	CF18ABAA1	0.99	1.08	0.92
TM8V060A12MP12C	CF18BBAA1	0.99	1.09	0.91
TM8V060A12MP12C	CF24ABAA1	0.99	1.06	0.93
TM8V060A12MP12C	CF24BBAA1	0.99	1.07	0.93
TM8V060A12MP12C	CM18ABAA1	0.99	1.08	0.92
TM8V060A12MP12C	CM24ABAA1	0.99	1.06	0.93
TM8V060A12MP12C	CM24BBAA1	0.99	1.07	0.93
TM8V080B12MP11C	CF/CM/CU18B	0.99	1.07	0.92
TM8V080B12MP11C	CF/CM/CU24B	0.99	1.06	0.93
TM8V080B12MP11C	CF/CM24C	0.99	1.06	0.93
TM8V080B12MP11C	CF18BBAA1	0.99	1.07	0.92
TM8V080B12MP11C	CF24BBAA1	0.96	1.09	0.89
TM8V080B12MP11C	CM24BBAA1	0.96	1.09	0.89
TM8V080B12MP12C	CF/CM/CU18B	0.99	1.07	0.92
TM8V080B12MP12C	CF/CM/CU24B	0.99	1.06	0.93
TM8V080B12MP12C	CF/CM/CU24C	0.99	1.06	0.93
TM8V080B12MP12C	CF/CM24C	0.99	1.06	0.93
TM8V080B12MP12C	CF18BBAA1	0.99	1.07	0.92
TM8V080B12MP12C	CF24BBAA1	0.99	1.06	0.93
TM8V080B12MP12C	CM24BBAA1	0.99	1.06	0.93
TM8X060A12MP11	CF/CM/CU18A	0.99	1.07	0.92
TM8X060A12MP11	CF/CM/CU18B	0.99	1.07	0.92
TM8X060A12MP11	CF/CM/CU24A	0.99	1.06	0.93
TM8X060A12MP11	CF/CM/CU24B	0.99	1.09	0.91
TM8X060A12MP11	CF18ABAA1	0.99	1.07	0.92
TM8X060A12MP11	CF18BBAA1	0.99	1.07	0.92
TM8X060A12MP11	CF24ABAA1	0.99	1.06	0.93
TM8X060A12MP11	CF24BBAA1	0.99	1.09	0.91
TM8X060A12MP11	CM18ABAA1	0.96	1.03	0.93
TM8X060A12MP11	CM24ABAA1	0.96	1.05	0.91
TM8X060A12MP11	CM24BBAA1	0.99	1.09	0.91
TM8X080B12MP11	CF/CM/CU18B	0.99	1.09	0.91
TM8X080B12MP11	CF/CM/CU24B	0.99	1.10	0.90
TM8X080B12MP11	CF/CM/CU24C	0.99	1.10	0.90
TM8X080B12MP11	CF/CM24C	0.99	1.10	0.90
TM8X080B12MP11	CF18BBAA1	0.99	1.09	0.91
TM8X080B12MP11	CF24BBAA1	0.99	1.10	0.90
TM8X080B12MP11	CM24BBAA1	0.96	1.05	0.91
TM8X080C16MP11	CF/CM24C	0.96	1.05	0.92
TM8X080C16MP11	CF/CM24C	0.96	1.05	0.92
TM8X100C16MP11	CF/CM24C	0.96	1.05	0.92
TM8X100C16MP11	CF/CM24C	0.96	1.05	0.92
TM8Y060A12MP11	CF/CM/CU18A	0.99	1.07	0.92
TM8Y060A12MP11	CF/CM/CU18B	0.99	1.07	0.92
TM8Y060A12MP11	CF/CM/CU24A	0.99	1.06	0.93
TM8Y060A12MP11	CF/CM/CU24B	0.99	1.09	0.91
TM8Y060A12MP11	CF18ABAA1	0.99	1.07	0.92
TM8Y060A12MP11	CF18BBAA1	0.99	1.07	0.92
TM8Y060A12MP11	CF24ABAA1	0.99	1.06	0.93
TM8Y060A12MP11	CF24BBAA1	0.99	1.09	0.91
TM8Y060A12MP11	CM18ABAA1	0.96	1.03	0.93
TM8Y060A12MP11	CM24ABAA1	0.96	1.05	0.91
TM8Y060A12MP11	CM24BBAA1	0.99	1.09	0.91
TM8Y080B12MP11	CF/CM/CU18B	0.99	1.09	0.91
TM8Y080B12MP11	CF/CM/CU24B	0.99	1.10	0.90
TM8Y080B12MP11	CF/CM24C	0.99	1.10	0.90
TM8Y080B12MP11	CF18BBAA1	0.99	1.09	0.91
TM8Y080B12MP11	CF24BBAA1	0.99	1.10	0.90
TM8Y080B12MP11	CM24BBAA1	0.96	1.04	0.92
TM8Y080C16MP11	CF/CM24C	0.96	1.07	0.90
TM8Y100C16MP11	CF/CM24C	0.96	1.07	0.90
TM8Y100C16MP11	CF/CM24C	0.96	1.07	0.90

FURNACE MULTIPLIERS- 1.5 TON (Continued)

Furnaces	Coil	MBH	COP	KW
TM8Y080B12MP11	CF/CM/CU24C	0.99	1.10	0.90
TM8Y080B12MP11	CF/CM24C	0.99	1.10	0.90
TM8Y080B12MP11	CF18BBAA1	0.99	1.09	0.91
TM8Y080B12MP11	CF24BBAA1	0.99	1.10	0.90
TM8Y080B12MP11	CM24BBAA1	0.96	1.05	0.91
TM8Y080C16MP11	CF/CM24C	0.96	1.05	0.92
TM8Y080C16MP11	CF/CM24C	0.96	1.05	0.92
TM8Y100C16MP11	CF/CM24C	0.96	1.05	0.92
TM8Y100C16MP11	CF/CM24C	0.96	1.05	0.92
TM9E040A10MP11	CF/CM/CU18A	0.99	0.99	0.99
TM9E040A10MP11	CF/CM/CU18B	0.99	1.01	1.00
TM9E040A10MP11	CF/CM/CU24A	0.99	1.00	0.99
TM9E040A10MP11	CF/CM/CU24B	0.99	1.02	0.97
TM9E040A10MP11	CF18ABAA1	0.99	0.99	0.99
TM9E040A10MP11	CF18BBAA1	0.99	1.01	1.00
TM9E040A10MP11	CF24ABAA1	0.99	1.00	0.99
TM9E040A10MP11	CF24BBAA1	0.99	1.02	0.97
TM9E040A10MP11	CM18ABAA1	0.96	1.05	0.92
TM9E040A10MP11	CM24ABAA1	0.96	1.06	0.91
TM9E040A10MP11	CM24BBAA1	0.99	1.02	0.97
TM9E040A10MP12	CF/CM/CU18A	0.99	1.05	0.94
TM9E040A10MP12	CF/CM/CU18B	0.99	1.07	0.93
TM9E040A10MP12	CF/CM/CU24A	0.97	0.98	0.98
TM9E040A10MP12	CF/CM/CU24B	0.97	1.00	0.97
TM9E040A10MP12	CF18ABAA1	0.99	1.05	0.94
TM9E040A10MP12	CF18BBAA1	0.99	1.07	0.93
TM9E040A10MP12	CF24ABAA1	0.97	0.98	0.98
TM9E040A10MP12	CF24BBAA1	0.97	1.00	0.97
TM9E040A10MP12	CM18ABAA1	0.99	1.05	0.94
TM9E040A10MP12	CM24ABAA1	0.97	0.98	0.98
TM9E040A10MP12	CM24BBAA1	0.97	1.00	0.97
TM9E060A10MP12	CF/CM/CU18A	0.99	1.10	0.90
TM9E060A10MP12	CF/CM/CU18B	0.99	1.11	0.89
TM9E060A10MP12	CF/CM/CU24A	0.98	1.02	0.96
TM9E060A10MP12	CF/CM/CU24B	0.98	1.05	0.94
TM9E060A10MP12	CF18ABAA1	0.99	1.10	0.90
TM9E060A10MP12	CF18BBAA1	0.99	1.11	0.89
TM9E060A10MP12	CF24ABAA1	0.98	1.02	0.96
TM9E060A10MP12	CF24BBAA1	0.98	1.05	0.94
TM9E060A10MP12	CM18ABAA1	0.99	1.10	0.90
TM9E060A10MP12	CM24ABAA1	0.98	1.02	0.96
TM9E060A10MP12	CM24BBAA1	0.98	1.05	0.94
TM9E060B12MP11	CF/CM/CU24B	0.96	1.04	0.92
TM9E060B12MP11	CF24BBAA1	0.96	1.04	0.92
TM9E060B12MP11	CM24BBAA1	0.96	1.04	0.92
TM9E080B12MP11	CF/CM/CU18B	0.99	1.10	0.90
TM9E080B12MP11	CF/CM/CU24B	0.99	1.09	0.91
TM9E080B12MP11	CF/CM/CU24C	0.99	1.09	0.91
TM9E080B12MP11	CF/CM24C	0.99	1.09	0.91
TM9E080B12MP11	CF18BBAA1	0.99	1.10	0.90
TM9E080B12MP11	CF24BBAA1	0.99	1.09	0.91
TM9E080B12MP11	CM24BBAA1	0.96	1.04	0.92
TM9E080C16MP11	CF/CM24C	0.96	1.07	0.90
TM9E100C16MP11	CF/CM24C	0.96	1.07	0.90
TM9E100C16MP11	CF/CM24C	0.96	1.07	0.90

FURNACE MULTIPLIERS- 1.5 TON (Continued)

Furnaces	Coil	MBH	COP	KW
TM9V060B12MP11C	CF/CM/CU24B	0.96	1.08	0.89
TM9V060B12MP11C	CF24BBAA1	0.96	1.08	0.89
TM9V060B12MP11C	CM24BBAA1	0.96	1.08	0.89
TM9V060B12MP12C	CF/CM/CU18B	0.99	1.07	0.93
TM9V060B12MP12C	CF/CM/CU24B	0.99	1.06	0.93
TM9V060B12MP12C	CF/CM/CU24C	0.99	1.07	0.93
TM9V060B12MP12C	CF/CM24C	0.99	1.07	0.93
TM9V060B12MP12C	CF18BBAA1	0.99	1.07	0.93
TM9V060B12MP12C	CF24BBAA1	0.99	1.06	0.93
TM9V060B12MP12C	CM24BBAA1	0.99	1.06	0.93
TM9V080B12MP11C	CF/CM/CU18B	0.99	1.08	0.92
TM9V080B12MP11C	CF/CM/CU24B	0.99	1.07	0.93
TM9V080B12MP11C	CF/CM24C	0.99	1.07	0.92
TM9V080B12MP11C	CF18BBAA1	0.99	1.08	0.92
TM9V080B12MP11C	CF24BBAA1	0.96	1.08	0.89
TM9V080B12MP11C	CM24BBAA1	0.96	1.08	0.89
TM9V080B12MP12C	CF/CM/CU18B	0.99	1.08	0.92
TM9V080B12MP12C	CF/CM/CU24B	0.99	1.07	0.93
TM9V080B12MP12C	CF/CM/CU24C	0.99	1.07	0.92
TM9V080B12MP12C	CF/CM24C	0.99	1.07	0.92
TM9V080B12MP12C	CF18BBAA1	0.99	1.08	0.92
TM9V080B12MP12C	CF24BBAA1	0.99	1.07	0.93
TM9V080B12MP12C	CM24BBAA1	0.99	1.07	0.93
TM9Y040A10MP11	CF/CM/CU18A	0.99	0.99	0.99
TM9Y040A10MP11	CF/CM/CU18B	0.99	1.01	1.00
TM9Y040A10MP11	CF/CM/CU24A	0.99	1.00	0.99
TM9Y040A10MP11	CF/CM/CU24B	0.99	1.02	0.97
TM9Y040A10MP11	CF18ABAA1	0.99	0.99	0.99
TM9Y040A10MP11	CF18BBAA1	0.99	1.01	1.00
TM9Y040A10MP11	CF24ABAA1	0.99	1.00	0.99
TM9Y040A10MP11	CF24BBAA1	0.99	1.02	0.97
TM9Y040A10MP11	CM18ABAA1	0.96	1.05	0.92
TM9Y040A10MP11	CM24ABAA1	0.96	1.06	0.91
TM9Y040A10MP11	CM24BBAA1	0.99	1.02	0.97
TM9Y060B12MP11	CF/CM/CU24B	0.96	1.04	0.92
TM9Y060B12MP11	CF24BBAA1	0.96	1.04	0.92
TM9Y060B12MP11	CM24BBAA1	0.96	1.04	0.92
TM9Y080B12MP11	CF/CM/CU18B	0.99	1.10	0.90
TM9Y080B12MP11	CF/CM/CU24B	0.99	1.09	0.91
TM9Y080B12MP11	CF/CM/CU24C	0.99	1.09	0.91
TM9Y080B12MP11	CF/CM24C	0.99	1.09	0.91
TM9Y080B12MP11	CF18BBAA1	0.99	1.10	0.90
TM9Y080B12MP11	CF24BBAA1	0.99	1.09	0.91
TM9Y080B12MP11	CM24BBAA1	0.96	1.04	0.92
TM9Y080C16MP11	CF/CM24C	0.96	1.07	0.90
TM9Y100C16MP11	CF/CM24C	0.96	1.07	0.90
TM9Y100C16MP11	CF/CM24C	0.96	1.07	0.90
TMLE040A12MP11	CF/CM/CU18A	0.99	1.10	0.90
TMLE040A12MP11	CF/CM/CU18B	0.99	1.11	0.89
TMLE040A12MP11	CF/CM/CU24A	0.97	1.03	0.94
TMLE040A12MP11	CF/CM/CU24B	0.98	1.06	0.93
TMLE040A12MP11	CF18ABAA1	0.99	1.10	0.90
TMLE040A12MP11	CF18BBAA1	0.99	1.11	0.89
TMLE040A12MP11	CF24ABAA1	0.97	1.03	0.94
TMLE040A12MP11	CF24BBAA1	0.98	1.06	0.93

FURNACE MULTIPLIERS- 1.5 TON (Continued)

Furnaces	Coil	MBH	COP	KW
TMLE040A12MP11	CM18ABAA1	0.99	1.10	0.90
TMLE040A12MP11	CM24ABAA1	0.97	1.03	0.94
TMLE040A12MP11	CM24BBAA1	0.98	1.06	0.93
TMLE060A12MP11	CF/CM/CU18A	0.99	1.14	0.87
TMLE060A12MP11	CF/CM/CU24A	0.98	1.06	0.93
TMLE060A12MP11	CF18ABAA1	0.99	1.14	0.87
TMLE060A12MP11	CF24ABAA1	0.98	1.06	0.93
TMLE060A12MP11	CM18ABAA1	0.99	1.14	0.87
TMLE060A12MP11	CM24ABAA1	0.98	1.06	0.93
TMLE080B12MP11	CF/CM/CU18B	0.99	1.14	0.87
TMLE080B12MP11	CF/CM/CU24B	0.98	1.07	0.92
TMLE080B12MP11	CF18BBAA1	0.99	1.14	0.87
TMLE080B12MP11	CF24BBAA1	0.98	1.07	0.92
TMLE080B12MP11	CM24BBAA1	0.98	1.07	0.92
TMLE100B12MP11	CF/CM/CU18B	0.99	1.13	0.87
TMLE100B12MP11	CF/CM/CU24B	0.98	1.07	0.92
TMLE100B12MP11	CF/CM24C	0.98	1.07	0.91
TMLE100B12MP11	CF18BBAA1	0.99	1.13	0.87
TMLE100B12MP11	CF24BBAA1	0.98	1.07	0.92
TMLE100B12MP11	CM24BBAA1	0.98	1.07	0.92
TMLV060A12MP11C	CF/CM/CU18A	0.99	1.08	0.92
TMLV060A12MP11C	CF/CM/CU18B	0.99	1.09	0.91
TMLV060A12MP11C	CF/CM/CU24A	0.99	1.06	0.93
TMLV060A12MP11C	CF/CM/CU24B	0.99	1.07	0.93
TMLV060A12MP11C	CF18ABAA1	0.99	1.08	0.92
TMLV060A12MP11C	CF18BBAA1	0.99	1.09	0.91
TMLV060A12MP11C	CF24ABAA1	0.99	1.06	0.93
TMLV060A12MP11C	CF24BBAA1	0.99	1.07	0.93
TMLV060A12MP11C	CM18ABAA1	0.95	1.01	0.94
TMLV060A12MP11C	CM24ABAA1	0.99	1.06	0.93
TMLV060A12MP11C	CM24BBAA1	0.99	1.07	0.93
TMLV060A12MP12C	CF/CM/CU18A	0.99	1.08	0.92
TMLV060A12MP12C	CF/CM/CU18B	0.99	1.09	0.91
TMLV060A12MP12C	CF/CM/CU24A	0.99	1.06	0.93
TMLV060A12MP12C	CF/CM/CU24B	0.99	1.07	0.93
TMLV060A12MP12C	CF18ABAA1	0.99	1.08	0.92
TMLV060A12MP12C	CF18BBAA1	0.99	1.09	0.91
TMLV060A12MP12C	CF24ABAA1	0.99	1.06	0.93
TMLV060A12MP12C	CF24BBAA1	0.99	1.07	0.93
TMLV060A12MP12C	CM18ABAA1	0.99	1.08	0.92
TMLV060A12MP12C	CM24ABAA1	0.99	1.06	0.93
TMLV060A12MP12C	CM24BBAA1	0.99	1.07	0.93
TMLV080B12MP11C	CF/CM/CU18B	0.99	1.07	0.92
TMLV080B12MP11C	CF/CM/CU24B	0.99	1.06	0.93
TMLV080B12MP11C	CF/CM24C	0.99	1.06	0.93
TMLV080B12MP11C	CF18BBAA1	0.99	1.07	0.92
TMLV080B12MP11C	CF24BBAA1	0.96	1.09	0.89
TMLV080B12MP11C	CM24BBAA1	0.96	1.09	0.89
TMLV080B12MP12C	CF/CM/CU18B	0.99	1.07	0.92
TMLV080B12MP12C	CF/CM/CU24B	0.99	1.06	0.93
TMLV080B12MP12C	CF/CM/CU24C	0.99	1.06	0.93
TMLV080B12MP12C	CF/CM24C	0.99	1.06	0.93
TMLV080B12MP12C	CF18BBAA1	0.99	1.07	0.92
TMLV080B12MP12C	CF24BBAA1	0.99	1.06	0.93
TMLV080B12MP12C	CM24BBAA1	0.99	1.06	0.93

FURNACE MULTIPLIERS- 1.5 TON (Continued)

Furnaces	Coil	MBH	COP	KW
TMLX060A12MP11	CF/CM/CU18A	0.99	1.07	0.92
TMLX060A12MP11	CF/CM/CU18B	0.99	1.07	0.92
TMLX060A12MP11	CF/CM/CU24A	0.99	1.06	0.93
TMLX060A12MP11	CF/CM/CU24B	0.99	1.09	0.91
TMLX060A12MP11	CF18ABAA1	0.99	1.07	0.92
TMLX060A12MP11	CF18BBAA1	0.99	1.07	0.92
TMLX060A12MP11	CF24ABAA1	0.99	1.06	0.93
TMLX060A12MP11	CF24BBAA1	0.99	1.09	0.91
TMLX060A12MP11	CM18ABAA1	0.96	1.03	0.93
TMLX060A12MP11	CM24ABAA1	0.96	1.05	0.91
TMLX060A12MP11	CM24BBAA1	0.99	1.09	0.91
TMLX080B12MP11	CF/CM/CU18B	0.99	1.09	0.91
TMLX080B12MP11	CF/CM/CU24B	0.99	1.10	0.90
TMLX080B12MP11	CF/CM/CU24C	0.99	1.10	0.90
TMLX080B12MP11	CF/CM24C	0.99	1.10	0.90
TMLX080B12MP11	CF18BBAA1	0.99	1.09	0.91
TMLX080B12MP11	CF24BBAA1	0.99	1.10	0.90
TMLX080B12MP11	CM24BBAA1	0.96	1.05	0.91
TMLX080C16MP11	CF/CM24C	0.96	1.05	0.92
TMLX080C16MP11	CF/CM24C	0.96	1.05	0.92
TMLX100C16MP11	CF/CM24C	0.96	1.05	0.92
TMLX100C16MP11	CF/CM24C	0.96	1.05	0.92
TP9C060B12MP12C	CF/CM/CU24B	0.96	1.08	0.89
TP9C060B12MP12C	CF24BBAA1	0.96	1.08	0.89
TP9C060B12MP12C	CM24BBAA1	0.96	1.08	0.89
TP9C060B12MP13C	CF/CM/CU18B	0.99	1.07	0.93
TP9C060B12MP13C	CF/CM/CU24B	0.99	1.06	0.93
TP9C060B12MP13C	CF/CM/CU24C	0.99	1.07	0.93
TP9C060B12MP13C	CF/CM24C	0.99	1.07	0.93
TP9C060B12MP13C	CF18BBAA1	0.99	1.07	0.93
TP9C060B12MP13C	CF24BBAA1	0.99	1.06	0.93
TP9C060B12MP13C	CM24BBAA1	0.99	1.06	0.93
TP9C080B12MP12C	CF/CM/CU18B	0.99	1.08	0.92
TP9C080B12MP12C	CF/CM/CU24B	0.99	1.07	0.93
TP9C080B12MP12C	CF/CM24C	0.99	1.07	0.92
TP9C080B12MP12C	CF18BBAA1	0.99	1.08	0.92
TP9C080B12MP12C	CF24BBAA1	0.96	1.08	0.89
TP9C080B12MP12C	CM24BBAA1	0.96	1.08	0.89
TP9C080B12MP13C	CF/CM/CU18B	0.99	1.08	0.92
TP9C080B12MP13C	CF/CM/CU24B	0.99	1.07	0.93
TP9C080B12MP13C	CF/CM/CU24C	0.99	1.07	0.92
TP9C080B12MP13C	CF/CM24C	0.99	1.07	0.92
TP9C080B12MP13C	CF18BBAA1	0.99	1.08	0.92
TP9C080B12MP13C	CF24BBAA1	0.99	1.07	0.93
TP9C080B12MP13C	CM24BBAA1	0.99	1.07	0.93
TPLC060A12MP12C	CF/CM/CU18A	0.99	1.08	0.92
TPLC060A12MP12C	CF/CM/CU18B	0.99	1.09	0.91
TPLC060A12MP12C	CF/CM/CU24A	0.99	1.06	0.93
TPLC060A12MP12C	CF/CM/CU24B	0.99	1.07	0.93
TPLC060A12MP12C	CF18ABAA1	0.99	1.08	0.92
TPLC060A12MP12C	CF18BBAA1	0.99	1.09	0.91
TPLC060A12MP12C	CF24ABAA1	0.99	1.06	0.93
TPLC060A12MP12C	CF24BBAA1	0.99	1.07	0.93
TPLC060A12MP12C	CM18ABAA1	0.95	1.01	0.94
TPLC060A12MP12C	CM24ABAA1	0.99	1.06	0.93

FURNACE MULTIPLIERS- 1.5 TON (Continued)

Furnaces	Coil	MBH	COP	KW
TPLC060A12MP12C	CM24BBAA1	0.99	1.07	0.93
TPLC060A12MP13C	CF/CM/CU18A	0.99	1.08	0.92
TPLC060A12MP13C	CF/CM/CU18B	0.99	1.09	0.91
TPLC060A12MP13C	CF/CM/CU24A	0.99	1.06	0.93
TPLC060A12MP13C	CF/CM/CU24B	0.99	1.07	0.93
TPLC060A12MP13C	CF18ABAA1	0.99	1.08	0.92
TPLC060A12MP13C	CF18BBAA1	0.99	1.09	0.91
TPLC060A12MP13C	CF24ABAA1	0.99	1.06	0.93
TPLC060A12MP13C	CF24BBAA1	0.99	1.07	0.93
TPLC060A12MP13C	CM18ABAA1	0.99	1.08	0.92
TPLC060A12MP13C	CM24ABAA1	0.99	1.06	0.93
TPLC060A12MP13C	CM24BBAA1	0.99	1.07	0.93
TPLC080B12MP12C	CF/CM/CU18B	0.99	1.07	0.92
TPLC080B12MP12C	CF/CM/CU24B	0.99	1.06	0.93
TPLC080B12MP12C	CF/CM24C	0.99	1.06	0.93
TPLC080B12MP12C	CF18BBAA1	0.99	1.07	0.92
TPLC080B12MP12C	CF24BBAA1	0.96	1.09	0.89
TPLC080B12MP12C	CM24BBAA1	0.96	1.09	0.89
TPLC080B12MP13C	CF/CM/CU18B	0.99	1.07	0.92
TPLC080B12MP13C	CF/CM/CU24B	0.99	1.06	0.93
TPLC080B12MP13C	CF/CM/CU24C	0.99	1.06	0.93
TPLC080B12MP13C	CF/CM24C	0.99	1.06	0.93
TPLC080B12MP13C	CF18BBAA1	0.99	1.07	0.92
TPLC080B12MP13C	CF24BBAA1	0.99	1.06	0.93
TPLC080B12MP13C	CM24BBAA1	0.99	1.06	0.93
YP9C060B12MP12C	CF/CM/CU24B	0.96	1.08	0.89
YP9C060B12MP12C	CF24BBAA1	0.96	1.08	0.89
YP9C060B12MP12C	CM24BBAA1	0.96	1.08	0.89
YP9C060B12MP13C	CF/CM/CU18B	0.99	1.07	0.93
YP9C060B12MP13C	CF/CM/CU24B	0.99	1.06	0.93
YP9C060B12MP13C	CF/CM/CU24C	0.99	1.07	0.93
YP9C060B12MP13C	CF/CM24C	0.99	1.07	0.93
YP9C060B12MP13C	CF18BBAA1	0.99	1.07	0.93
YP9C060B12MP13C	CF24BBAA1	0.99	1.06	0.93
YP9C060B12MP13C	CM24BBAA1	0.99	1.06	0.93
YP9C080B12MP12C	CF/CM/CU18B	0.99	1.08	0.92
YP9C080B12MP12C	CF/CM/CU24B	0.99	1.07	0.93
YP9C080B12MP12C	CF/CM24C	0.99	1.07	0.92
YP9C080B12MP12C	CF18BBAA1	0.99	1.08	0.92
YP9C080B12MP12C	CF24BBAA1	0.96	1.08	0.89
YP9C080B12MP12C	CM24BBAA1	0.96	1.08	0.89
YP9C080B12MP13C	CF/CM/CU18B	0.99	1.08	0.92
YP9C080B12MP13C	CF/CM/CU24B	0.99	1.07	0.93
YP9C080B12MP13C	CF/CM/CU24C	0.99	1.07	0.92
YP9C080B12MP13C	CF/CM24C	0.99	1.07	0.92
YP9C080B12MP13C	CF18BBAA1	0.99	1.08	0.92
YP9C080B12MP13C	CF24BBAA1	0.99	1.07	0.93
YP9C080B12MP13C	CM24BBAA1	0.99	1.07	0.93
YPLC060A12MP12C	CF/CM/CU18A	0.99	1.08	0.92
YPLC060A12MP12C	CF/CM/CU18B	0.99	1.09	0.91
YPLC060A12MP12C	CF/CM/CU24A	0.99	1.06	0.93
YPLC060A12MP12C	CF/CM/CU24B	0.99	1.07	0.93
YPLC060A12MP12C	CF18ABAA1	0.99	1.08	0.92
YPLC060A12MP12C	CF18BBAA1	0.99	1.09	0.91
YPLC060A12MP12C	CF24ABAA1	0.99	1.06	0.93

FURNACE MULTIPLIERS- 1.5 TON (Continued)

Furnaces	Coil	MBH	COP	KW
YPLC060A12MP12C	CF24BBAA1	0.99	1.07	0.93
YPLC060A12MP12C	CM18ABAA1	0.95	1.01	0.94
YPLC060A12MP12C	CM24ABAA1	0.99	1.06	0.93
YPLC060A12MP12C	CM24BBAA1	0.99	1.07	0.93
YPLC060A12MP13C	CF/CM/CU18A	0.99	1.08	0.92
YPLC060A12MP13C	CF/CM/CU18B	0.99	1.09	0.91
YPLC060A12MP13C	CF/CM/CU24A	0.99	1.06	0.93
YPLC060A12MP13C	CF/CM/CU24B	0.99	1.07	0.93
YPLC060A12MP13C	CF18ABAA1	0.99	1.08	0.92
YPLC060A12MP13C	CF18BBAA1	0.99	1.09	0.91
YPLC060A12MP13C	CF24ABAA1	0.99	1.06	0.93
YPLC060A12MP13C	CF24BBAA1	0.99	1.07	0.93
YPLC060A12MP13C	CM18ABAA1	0.99	1.08	0.92
YPLC060A12MP13C	CM24ABAA1	0.99	1.06	0.93
YPLC060A12MP13C	CM24BBAA1	0.99	1.07	0.93

FURNACE MULTIPLIERS- 1.5 TON (Continued)

Furnaces	Coil	MBH	COP	KW
YPLC080B12MP12C	CF/CM/CU18B	0.99	1.07	0.92
YPLC080B12MP12C	CF/CM/CU24B	0.99	1.06	0.93
YPLC080B12MP12C	CF/CM24C	0.99	1.06	0.93
YPLC080B12MP12C	CF18BBAA1	0.99	1.07	0.92
YPLC080B12MP12C	CF24BBAA1	0.96	1.09	0.89
YPLC080B12MP12C	CM24BBAA1	0.96	1.09	0.89
YPLC080B12MP13C	CF/CM/CU18B	0.99	1.07	0.92
YPLC080B12MP13C	CF/CM/CU24B	0.99	1.06	0.93
YPLC080B12MP13C	CF/CM/CU24C	0.99	1.06	0.93
YPLC080B12MP13C	CF/CM24C	0.99	1.06	0.93
YPLC080B12MP13C	CF18BBAA1	0.99	1.07	0.92
YPLC080B12MP13C	CF24BBAA1	0.99	1.06	0.93
YPLC080B12MP13C	CM24BBAA1	0.99	1.06	0.93

PERFORMANCE DATA - 2 TON

CONDENSER-ONLY DATA (OUTDOOR UNIT)																
MODEL	SATURATED SUCTION @ COMPRESSOR		Outdoor Ambient Temperature													
			65 °F		75 °F		85 °F		95 °F		105 °F		115 °F		125 °F	
	T (°F)	P (PSIG)	MBH	KW	MBH	KW	MBH	KW	MBH	KW	MBH	KW	MBH	KW	MBH	KW
YHE24B21S	35	107	23.8	1.11	22.0	1.33	20.2	1.56	18.5	1.78	16.7	2.00	15.0	2.23	13.2	2.45
	40	119	25.9	1.11	24.2	1.33	22.4	1.55	20.6	1.77	18.9	1.98	17.1	2.20	15.3	2.42
	45	130	28.1	1.11	26.4	1.33	24.6	1.54	22.8	1.75	21.0	1.96	19.2	2.17	17.4	2.39
	50	143	30.3	1.11	28.5	1.32	26.7	1.53	24.9	1.73	23.1	1.94	21.3	2.15	19.5	2.35
	55	156	32.5	1.12	30.7	1.32	28.9	1.52	27.1	1.72	25.3	1.92	23.4	2.12	21.6	2.32

Notes:

1. For Outdoor Unit (Condenser) performance only. Data does not include the effects of air handler power or heat.
2. Performance based on 15°F subcooling and 15°F superheat at the Outdoor Unit base valves.
 - a. Increase capacity by 1% for each 2°F increase in subcooling.
 - b. Decrease capacity by 1% for each 2°F decrease in subcooling.
3. Maximum recommended condensing temperature is 140°F.

COOLING PERFORMANCE DATA																	
AIR CONDITIONER MODEL NO.		YHE24B21S															
AIR TEMP. ENTERING OUTDOOR UNIT (°F)	IDCFM	600					800					1000					
		ID DB (°F)	80	80	75	80	80	80	80	75	80	80	80	80	75	80	80
		ID WB (°F)	57	62	62	67	72	57	62	62	67	72	57	62	62	67	72
65	T.C.	21.3	23.8	24.0	26.5	28.9	23.3	24.8	25.0	27.5	29.5	25.3	25.9	26.0	28.5	30.1	
	S.C.	20.7	18.9	16.3	16.1	13.0	22.8	21.8	18.5	18.3	14.0	24.9	24.8	20.8	20.5	15.1	
	KW	1.46	1.46	1.45	1.46	1.45	1.53	1.53	1.53	1.53	1.52	1.60	1.60	1.60	1.60	1.60	
75	T.C.	20.6	22.7	23.0	25.4	28.2	22.5	23.8	24.0	26.5	29.3	24.4	24.9	24.9	27.5	30.3	
	S.C.	20.1	18.3	15.8	15.6	12.7	22.1	21.4	18.1	17.9	14.2	24.0	24.4	20.3	20.2	15.6	
	KW	1.60	1.60	1.59	1.60	1.59	1.67	1.67	1.67	1.67	1.66	1.74	1.74	1.74	1.74	1.73	
85	T.C.	19.8	21.7	21.9	24.3	27.0	21.6	22.7	22.8	25.2	28.0	23.4	23.7	23.7	26.1	28.9	
	S.C.	19.4	17.9	15.3	15.2	12.3	21.2	20.7	17.5	17.5	13.7	23.1	23.5	19.8	19.7	15.1	
	KW	1.79	1.79	1.78	1.79	1.78	1.86	1.86	1.85	1.86	1.85	1.93	1.93	1.93	1.93	1.92	
95	T.C.	19.0	20.6	20.8	23.1	25.8	20.7	21.6	21.7	23.9	26.7	22.3	22.5	22.5	24.7	27.5	
	S.C.	18.7	17.4	14.7	14.8	11.8	20.4	20.0	17.0	17.0	13.2	22.1	22.5	19.3	19.2	14.6	
	KW	1.97	1.97	1.97	1.98	1.97	2.04	2.05	2.04	2.05	2.04	2.12	2.12	2.12	2.12	2.11	
105	T.C.	17.8	19.2	19.4	21.6	24.2	19.4	20.2	20.2	22.4	25.0	21.0	21.1	21.0	23.1	25.7	
	S.C.	17.6	16.8	14.1	14.2	11.2	19.2	19.0	16.4	16.3	12.6	20.8	21.1	18.6	18.5	14.0	
	KW	2.26	2.26	2.26	2.27	2.25	2.33	2.33	2.33	2.33	2.32	2.40	2.40	2.40	2.40	2.39	
115	T.C.	16.7	17.9	18.1	20.2	22.6	18.2	18.9	18.8	20.9	23.3	19.7	19.8	19.5	21.5	24.0	
	S.C.	16.6	16.3	13.6	13.6	10.7	18.1	18.0	15.7	15.7	12.0	19.6	19.8	17.9	17.8	13.4	
	KW	2.55	2.54	2.54	2.54	2.52	2.61	2.61	2.61	2.61	2.59	2.68	2.67	2.68	2.68	2.67	
125	T.C.	15.5	16.6	16.8	18.8	21.0	17.0	17.6	17.4	19.4	21.7	18.4	18.5	18.0	19.9	22.3	
	S.C.	15.5	15.7	13.0	13.0	10.1	17.0	17.1	15.1	15.1	11.5	18.4	18.5	17.2	17.1	12.8	
	KW	2.83	2.81	2.81	2.81	2.80	2.89	2.88	2.88	2.88	2.87	2.95	2.95	2.95	2.95	2.94	

NOTE: ALL CAPACITIES INCLUDE INDOOR FAN HEAT. KW VALUES ARE FOR THE SYSTEM (OUTDOOR + INDOOR).

Green shaded cells are ACCA (TVA) conditions.

Blue shaded cells are AHRI conditions.

Multipliers for determining the performance with other indoor sections.

NOTE: For dry bulb temperatures different than those listed (between 73-87 °F), sensible capacity increases by 1060 BTUH per 1000 CFM per degree above the listed temperature and decreases by 1060 BTUH per 1000 CFM per degree below the listed temperature.

COIL MULTIPLIERS - 2 TON

Air Handler	Coil	T.C.	S.C.	KW
-	CF/CM/CU24A	0.99	1.01	0.98
-	CF/CM/CU24B	1.01	1.10	1.00
-	CF/CM/CU30A	1.01	1.06	0.98
-	CF/CM/CU30B	1.01	1.13	1.00
-	CF/CM/CU30D	1.01	1.08	0.99
-	CF/CM24C	0.99	1.01	1.01
-	CF/CM30C	1.01	1.08	0.99
-	CF24ABAA1	0.99	1.01	0.98
-	CF24BBAA1	1.01	1.10	1.00
-	CF30ABAA1	1.01	1.06	0.98
-	CF30BBAA1	1.01	1.13	1.00
-	CM24ABAA1	0.99	1.01	0.98
-	CM24BBAA1	1.01	1.10	1.00
-	CM30BBAA1	1.01	1.13	1.00
AE24BBA21	-	1.01	1.04	0.89
AE24BX21	-	1.01	1.04	0.89
AE30BX21	-	1.01	1.03	0.91
AP24BBA21	-	1.00	1.00	1.00
AP24BX21	-	1.00	1.00	1.00
AP30BX21	-	1.01	1.09	0.97
AVC24BX21	-	1.01	1.01	0.90
AVC30BX21	-	1.01	1.06	0.91
ME08BN21	CF/CM24B	1.01	1.14	0.91
ME08BN21	CF/CM30B	1.01	1.06	0.91
ME08BN21	CF24BBAA1	1.01	1.14	0.91
ME08BN21	CF30BBAA1	1.01	1.10	0.91
ME08BN21	CM24BBAA1	1.01	1.04	0.93
ME08BN21	CM30BBAA1	1.01	1.10	0.91
ME12BN21	CF/CM24B	1.01	1.04	0.89
ME12BN21	CF/CM30B	1.01	0.99	0.91
ME12BN21	CF24BBAA1	1.01	1.04	0.89
ME12BN21	CF30BBAA1	1.01	1.10	0.91
ME12BN21	CM24BBAA1	1.01	1.04	0.93
ME12BN21	CM30BBAA1	1.01	1.10	0.91
ME12CN21	CF/CM24C	1.00	0.98	0.89
ME14DN21	CF/CM30D	1.01	1.09	0.93
ME16CN21	CF/CM24C	1.01	1.07	0.99
ME16CN21	CF/CM30C	1.01	1.13	0.91
MVC08BN21	CF/CM24B	1.01	1.01	0.89
MVC08BN21	CF/CM30B	1.01	0.98	0.91
MVC08BN21	CF24BBAA1	1.01	1.01	0.89
MVC08BN21	CF30BBAA1	1.01	0.98	0.91
MVC08BN21	CM24BBAA1	1.01	1.01	0.93
MVC08BN21	CM30BBAA1	1.01	0.98	0.91
MVC12BN21	CF/CM24B	1.01	1.08	0.91
MVC12BN21	CF/CM30B	1.01	1.04	0.91
MVC12BN21	CF24BBAA1	1.01	1.08	0.91
MVC12BN21	CF30BBAA1	1.01	1.04	0.91
MVC12BN21	CM24BBAA1	1.01	1.01	0.93
MVC12BN21	CM30BBAA1	1.01	1.04	0.91
MVC12CN21	CF/CM24C	1.01	1.04	0.91
MVC12CN21	CF/CM30C	1.01	0.98	0.91
MVC14DN21	CF/CM30D	1.01	1.11	0.91
MVC16CN21	CF/CM24C	1.01	1.11	0.91
MVC16CN21	CF/CM30C	1.01	1.13	0.91

FURNACE MULTIPLIERS - 2 TON

Furnaces	Coil	T.C.	S.C.	KW
TL8E060A12UH11	CF/CM/CU24B	1.01	1.09	0.95
TL8E060A12UH11	CF/CM/CU30B	1.01	1.19	0.91
TL8E060A12UH11	CF/CM30C	1.01	1.22	0.91
TL8E060A12UH11	CF24BBAA1	1.01	1.09	0.95
TL8E060A12UH11	CF30BBAA1	1.01	1.19	0.91
TL8E060A12UH11	CM24BBAA1	1.01	1.09	0.95
TL8E060A12UH11	CM30BBAA1	1.01	1.19	0.91
TL8E080C16UH11	CF/CM24C	1.01	1.15	0.91
TL8E080C16UH11	CF/CM30C	1.01	1.25	0.91
TL9E060B12UH11	CF/CM/CU24B	1.01	0.98	0.95
TL9E060B12UH11	CF/CM/CU30B	1.01	1.19	0.91
TL9E060B12UH11	CF/CM24C	1.01	0.99	0.91
TL9E060B12UH11	CF/CM30C	1.01	1.19	0.91
TL9E060B12UH11	CF24BBAA1	1.01	0.98	0.95
TL9E060B12UH11	CF30BBAA1	1.01	1.19	0.91
TL9E060B12UH11	CM24BBAA1	1.01	0.98	0.95
TL9E060B12UH11	CM30BBAA1	1.01	1.19	0.91
TL9E080C16UH11	CF/CM24C	1.01	1.11	0.91
TL9E080C16UH11	CF/CM30C	1.01	1.24	0.91
TM8E040A12MP11	CF/CM/CU24A	1.01	0.99	0.91
TM8E040A12MP11	CF/CM/CU24B	1.01	0.99	0.91
TM8E040A12MP11	CF/CM/CU30A	1.01	1.16	0.91
TM8E040A12MP11	CF/CM/CU30B	1.01	1.19	0.91
TM8E040A12MP11	CF24ABAA1	1.01	0.99	0.91
TM8E040A12MP11	CF24BBAA1	1.01	0.99	0.91
TM8E040A12MP11	CF30ABAA1	1.01	1.16	0.91
TM8E040A12MP11	CF30BBAA1	1.01	1.19	0.91
TM8E040A12MP11	CM24ABAA1	1.01	0.99	0.91
TM8E040A12MP11	CM24BBAA1	1.01	0.99	0.91
TM8E040A12MP11	CM30BBAA1	1.01	1.19	0.91
TM8E060A12MP11	CF/CM/CU24A	1.01	1.03	0.95
TM8E060A12MP11	CF/CM/CU24B	1.01	1.02	0.91
TM8E060A12MP11	CF/CM/CU30A	1.01	1.16	0.91
TM8E060A12MP11	CF/CM/CU30B	1.01	1.16	0.91
TM8E060A12MP11	CF24ABAA1	1.01	1.03	0.95
TM8E060A12MP11	CF24BBAA1	1.01	1.02	0.91
TM8E060A12MP11	CF30ABAA1	1.01	1.16	0.91
TM8E060A12MP11	CF30BBAA1	1.01	1.16	0.91
TM8E060A12MP11	CM24ABAA1	1.01	1.03	0.95
TM8E060A12MP11	CM24BBAA1	1.01	1.02	0.91
TM8E060A12MP11	CM30BBAA1	1.01	1.16	0.91
TM8E080B12MP11	CF/CM/CU24B	1.01	1.01	0.91
TM8E080B12MP11	CF/CM/CU30B	1.01	1.22	0.91
TM8E080B12MP11	CF/CM24C	1.01	1.12	0.91
TM8E080B12MP11	CF/CM30C	1.01	1.23	0.91
TM8E080B12MP11	CF24BBAA1	1.01	1.01	0.91
TM8E080B12MP11	CF30BBAA1	1.01	1.22	0.91
TM8E080B12MP11	CM24BBAA1	1.01	1.01	0.91
TM8E080B12MP11	CM30BBAA1	1.01	1.22	0.91
TM8E080C16MP11	CF/CM24C	1.01	1.07	0.91
TM8E080C16MP11	CF/CM30C	1.01	1.17	0.91
TM8E100B12MP11	CF/CM/CU24B	1.01	1.01	0.91
TM8E100B12MP11	CF/CM/CU30B	1.01	1.23	0.91
TM8E100B12MP11	CF/CM24C	1.01	1.08	0.91
TM8E100B12MP11	CF/CM30C	1.01	1.23	0.91

FURNACE MULTIPLIERS - 2 TON (Continued)

Furnaces	Coil	T.C.	S.C.	KW
TM8E100B12MP11	CF24BBAA1	1.01	1.01	0.91
TM8E100B12MP11	CF30BBAA1	1.01	1.23	0.91
TM8E100B12MP11	CM24BBAA1	1.01	1.01	0.91
TM8E100B12MP11	CM30BBAA1	1.01	1.23	0.91
TM8E100C16MP11	CF/CM24C	1.01	1.05	0.91
TM8E100C16MP11	CF/CM30C	1.01	1.25	0.91
TM8E120C16MP11	CF/CM24C	1.01	1.05	0.91
TM8E120C16MP11	CF/CM30C	1.01	1.15	0.91
TM8V060A12MP11C	CF/CM/CU24A	1.00	0.99	0.90
TM8V060A12MP11C	CF/CM/CU24B	1.00	0.99	0.90
TM8V060A12MP11C	CF/CM/CU30A	1.01	0.97	0.91
TM8V060A12MP11C	CF/CM/CU30B	1.01	0.97	0.91
TM8V060A12MP11C	CF24ABAA1	1.00	0.99	0.90
TM8V060A12MP11C	CF24BBAA1	1.00	0.99	0.90
TM8V060A12MP11C	CF30ABAA1	1.01	0.97	0.91
TM8V060A12MP11C	CF30BBAA1	1.01	0.97	0.91
TM8V060A12MP11C	CM24ABAA1	1.00	0.99	0.90
TM8V060A12MP11C	CM24BBAA1	1.00	0.99	0.90
TM8V060A12MP11C	CM30BBAA1	1.01	0.97	0.91
TM8V060A12MP12C	CF/CM/CU24A	1.00	0.99	0.90
TM8V060A12MP12C	CF/CM/CU24B	1.00	0.99	0.90
TM8V060A12MP12C	CF/CM/CU30A	1.01	0.97	0.91
TM8V060A12MP12C	CF/CM/CU30B	1.01	0.97	0.91
TM8V060A12MP12C	CF24ABAA1	1.00	0.99	0.90
TM8V060A12MP12C	CF24BBAA1	1.00	0.99	0.90
TM8V060A12MP12C	CF30ABAA1	1.01	0.97	0.91
TM8V060A12MP12C	CF30BBAA1	1.01	0.97	0.91
TM8V060A12MP12C	CM24ABAA1	1.00	0.99	0.90
TM8V060A12MP12C	CM24BBAA1	1.00	0.99	0.90
TM8V060A12MP12C	CM30BBAA1	1.01	0.97	0.91
TM8V080B12MP11C	CF/CM/CU24B	1.00	0.99	0.91
TM8V080B12MP11C	CF/CM/CU30B	1.01	0.96	0.91
TM8V080B12MP11C	CF24BBAA1	1.00	0.99	0.91
TM8V080B12MP11C	CF30BBAA1	1.01	0.96	0.91
TM8V080B12MP11C	CM24BBAA1	1.00	0.99	0.91
TM8V080B12MP11C	CM30BBAA1	1.01	0.96	0.91
TM8V080B12MP12C	CF/CM/CU24B	1.00	0.99	0.91
TM8V080B12MP12C	CF/CM/CU24C	1.01	1.03	0.91
TM8V080B12MP12C	CF/CM/CU30B	1.01	0.96	0.91
TM8V080B12MP12C	CF/CM/CU30C	1.01	0.97	0.91
TM8V080B12MP12C	CF24BBAA1	1.00	0.99	0.91
TM8V080B12MP12C	CF30BBAA1	1.01	0.96	0.91
TM8V080B12MP12C	CM24BBAA1	1.00	0.99	0.91
TM8V080B12MP12C	CM30BBAA1	1.01	0.96	0.91
TM8V080C16MP12C	CF/CM/CU24C	1.01	1.19	0.92
TM8V080C16MP12C	CF/CM/CU30C	1.01	1.10	0.91
TM8V080C16MP12C	CF/CM/CU30D	1.01	1.10	0.91
TM8V100C16MP12C	CF/CM/CU24C	1.01	1.19	0.92
TM8V100C16MP12C	CF/CM/CU30C	1.01	1.10	0.91
TM8V100C16MP12C	CF/CM/CU30D	1.01	1.10	0.91
TM8X060A12MP11	CF/CM/CU24A	1.00	0.99	0.90
TM8X060A12MP11	CF/CM/CU24B	1.01	1.02	0.90
TM8X060A12MP11	CF/CM/CU30A	1.01	0.96	0.91
TM8X060A12MP11	CF/CM/CU30B	1.01	0.98	0.91
TM8X060A12MP11	CF24ABAA1	1.00	0.99	0.90

FURNACE MULTIPLIERS - 2 TON (Continued)

Furnaces	Coil	T.C.	S.C.	KW
TM8X060A12MP11	CF24BBAA1	1.01	1.02	0.90
TM8X060A12MP11	CF30ABAA1	1.01	0.96	0.91
TM8X060A12MP11	CF30BBAA1	1.01	0.98	0.91
TM8X060A12MP11	CM24ABAA1	1.01	1.03	0.93
TM8X060A12MP11	CM24BBAA1	1.01	1.02	0.90
TM8X060A12MP11	CM30BBAA1	1.01	0.98	0.91
TM8X080B12MP11	CF/CM/CU24B	1.01	1.04	0.90
TM8X080B12MP11	CF/CM/CU24C	1.01	1.04	0.90
TM8X080B12MP11	CF/CM/CU30B	1.01	0.99	0.91
TM8X080B12MP11	CF/CM/CU30C	1.01	0.99	0.91
TM8X080B12MP11	CF24BBAA1	1.01	1.04	0.90
TM8X080B12MP11	CF30BBAA1	1.01	1.05	0.91
TM8X080B12MP11	CM24BBAA1	0.99	0.99	0.91
TM8X080B12MP11	CM30BBAA1	1.01	1.05	0.91
TM8X080C16MP11	CF/CM/CU30D	1.01	1.11	0.91
TM8X080C16MP11	CF/CM24C	1.01	1.04	0.91
TM8X080C16MP11	CF/CM30C	1.01	1.11	0.91
TM8X100C16MP11	CF/CM/CU30D	1.01	1.11	0.91
TM8X100C16MP11	CF/CM24C	1.01	1.04	0.91
TM8X100C16MP11	CF/CM30C	1.01	1.11	0.91
TM8X100C20MP11	CF/CM/CU30D	1.01	1.08	0.95
TM8X100C20MP11	CF/CM30C	1.01	1.08	0.95
TM8X120C20MP11	CF/CM/CU30D	1.01	1.08	0.95
TM8X120C20MP11	CF/CM30C	1.01	1.08	0.95
TM8Y060A12MP11	CF/CM/CU24A	1.00	0.99	0.90
TM8Y060A12MP11	CF/CM/CU24B	1.01	1.02	0.90
TM8Y060A12MP11	CF/CM/CU30A	1.01	0.96	0.91
TM8Y060A12MP11	CF/CM/CU30B	1.01	0.98	0.91
TM8Y060A12MP11	CF24ABAA1	1.00	0.99	0.90
TM8Y060A12MP11	CF24BBAA1	1.01	1.02	0.90
TM8Y060A12MP11	CF30ABAA1	1.01	0.96	0.91
TM8Y060A12MP11	CF30BBAA1	1.01	0.98	0.91
TM8Y060A12MP11	CM24ABAA1	1.01	1.03	0.93
TM8Y060A12MP11	CM24BBAA1	1.01	1.02	0.90
TM8Y060A12MP11	CM30BBAA1	1.01	0.98	0.91
TM8Y080B12MP11	CF/CM/CU24B	1.01	1.04	0.90
TM8Y080B12MP11	CF/CM/CU24C	1.01	1.04	0.90
TM8Y080B12MP11	CF/CM/CU30B	1.01	0.99	0.91
TM8Y080B12MP11	CF/CM/CU30C	1.01	0.99	0.91
TM8Y080B12MP11	CF24BBAA1	1.01	1.04	0.90
TM8Y080B12MP11	CF30BBAA1	1.01	1.05	0.91
TM8Y080B12MP11	CM24BBAA1	0.99	0.99	0.91
TM8Y080B12MP11	CM30BBAA1	1.01	1.05	0.91
TM8Y080C16MP11	CF/CM/CU30D	1.01	1.11	0.91
TM8Y080C16MP11	CF/CM24C	1.01	1.04	0.91
TM8Y080C16MP11	CF/CM30C	1.01	1.11	0.91
TM8Y100C16MP11	CF/CM/CU30D	1.01	1.11	0.91
TM8Y100C16MP11	CF/CM24C	1.01	1.04	0.91
TM8Y100C16MP11	CF/CM30C	1.01	1.11	0.91
TM8Y100C20MP11	CF/CM/CU30D	1.01	1.08	0.95
TM8Y100C20MP11	CF/CM30C	1.01	1.08	0.95
TM8Y120C20MP11	CF/CM/CU30D	1.01	1.08	0.95
TM8Y120C20MP11	CF/CM30C	1.01	1.08	0.95
TM9E040A10MP11	CF/CM/CU24A	1.00	1.02	0.94
TM9E040A10MP11	CF/CM/CU24B	1.01	1.04	0.94

FURNACE MULTIPLIERS - 2 TON (Continued)

Furnaces	Coil	T.C.	S.C.	KW
TM9E040A10MP11	CF/CM/CU30A	1.01	1.06	0.95
TM9E040A10MP11	CF/CM/CU30B	1.01	1.01	0.91
TM9E040A10MP11	CF24ABAA1	1.00	1.02	0.94
TM9E040A10MP11	CF24BBAA1	1.01	1.04	0.94
TM9E040A10MP11	CF30ABAA1	1.01	1.06	0.95
TM9E040A10MP11	CF30BBAA1	1.01	1.01	0.91
TM9E040A10MP11	CM24ABAA1	1.00	0.99	0.98
TM9E040A10MP11	CM24BBAA1	1.01	1.04	0.94
TM9E040A10MP11	CM30BBAA1	1.01	1.01	0.91
TM9E040A10MP12	CF/CM/CU24A	1.00	0.95	0.96
TM9E040A10MP12	CF/CM/CU24B	1.01	1.05	0.97
TM9E040A10MP12	CF/CM/CU30A	1.01	1.11	0.91
TM9E040A10MP12	CF/CM/CU30B	1.01	1.18	0.91
TM9E040A10MP12	CF24ABAA1	1.00	0.95	0.96
TM9E040A10MP12	CF24BBAA1	1.01	1.05	0.97
TM9E040A10MP12	CF30ABAA1	1.01	1.11	0.91
TM9E040A10MP12	CF30BBAA1	1.01	1.18	0.91
TM9E040A10MP12	CM24ABAA1	1.00	0.95	0.96
TM9E040A10MP12	CM24BBAA1	1.01	1.05	0.97
TM9E040A10MP12	CM30BBAA1	1.01	1.18	0.91
TM9E060A10MP12	CF/CM/CU24A	1.01	1.04	0.97
TM9E060A10MP12	CF/CM/CU24B	1.01	0.99	0.95
TM9E060A10MP12	CF/CM/CU30A	1.01	1.15	0.91
TM9E060A10MP12	CF/CM/CU30B	1.01	1.17	0.91
TM9E060A10MP12	CF24ABAA1	1.01	1.04	0.97
TM9E060A10MP12	CF24BBAA1	1.01	0.99	0.95
TM9E060A10MP12	CF30ABAA1	1.01	1.15	0.91
TM9E060A10MP12	CF30BBAA1	1.01	1.17	0.91
TM9E060A10MP12	CM24ABAA1	1.01	1.04	0.97
TM9E060A10MP12	CM24BBAA1	1.01	0.99	0.95
TM9E060A10MP12	CM30BBAA1	1.01	1.17	0.91
TM9E060B12MP11	CF/CM/CU24B	1.01	1.01	0.93
TM9E060B12MP11	CF/CM/CU30B	1.01	1.07	0.91
TM9E060B12MP11	CF24BBAA1	1.01	1.01	0.93
TM9E060B12MP11	CF30BBAA1	1.01	1.07	0.91
TM9E060B12MP11	CM24BBAA1	1.01	1.01	0.93
TM9E060B12MP11	CM30BBAA1	1.01	1.07	0.91
TM9E060B12MP12	CF/CM/CU24B	1.01	1.02	0.95
TM9E060B12MP12	CF/CM/CU30B	1.01	1.11	0.91
TM9E060B12MP12	CF/CM24C	1.01	1.02	0.95
TM9E060B12MP12	CF/CM30C	1.01	1.11	0.91
TM9E060B12MP12	CF24BBAA1	1.01	1.02	0.95
TM9E060B12MP12	CF30BBAA1	1.01	1.11	0.91
TM9E060B12MP12	CM24BBAA1	1.01	1.02	0.95
TM9E060B12MP12	CM30BBAA1	1.01	1.11	0.91
TM9E080B12MP11	CF/CM/CU24B	1.01	1.05	0.91
TM9E080B12MP11	CF/CM/CU24C	1.01	1.05	0.90
TM9E080B12MP11	CF/CM/CU30B	1.01	1.01	0.91
TM9E080B12MP11	CF/CM/CU30C	1.01	1.01	0.91
TM9E080B12MP11	CF24BBAA1	1.01	1.05	0.91
TM9E080B12MP11	CF30BBAA1	1.01	1.07	0.91
TM9E080B12MP11	CM24BBAA1	1.01	1.01	0.93
TM9E080B12MP11	CM30BBAA1	1.01	1.07	0.91
TM9E080B12MP12	CF/CM/CU24B	1.01	1.05	0.91
TM9E080B12MP12	CF/CM/CU30B	1.01	1.24	0.91

FURNACE MULTIPLIERS - 2 TON (Continued)

Furnaces	Coil	T.C.	S.C.	KW
TM9E080B12MP12	CF/CM24C	1.01	1.05	0.91
TM9E080B12MP12	CF/CM30C	1.01	1.17	0.91
TM9E080B12MP12	CF24BBAA1	1.01	1.05	0.91
TM9E080B12MP12	CF30BBAA1	1.01	1.24	0.91
TM9E080B12MP12	CM24BBAA1	1.01	1.05	0.91
TM9E080B12MP12	CM30BBAA1	1.01	1.24	0.91
TM9E080C16MP11	CF/CM24C	1.01	1.01	0.93
TM9E080C16MP11	CF/CM30C	1.01	1.08	0.91
TM9E080C16MP12	CF/CM24C	1.01	1.12	0.91
TM9E080C16MP12	CF/CM30C	1.01	1.22	0.91
TM9E100C16MP11	CF/CM/CU30D	1.01	0.98	0.91
TM9E100C16MP11	CF/CM24C	1.01	1.01	0.93
TM9E100C16MP11	CF/CM30C	1.01	1.08	0.91
TM9E100C16MP12	CF/CM24C	1.01	1.15	0.91
TM9E100C16MP12	CF/CM30C	1.01	1.25	0.91
TM9E100C20MP11	CF/CM/CU30D	1.01	1.09	0.93
TM9E100C20MP11	CF/CM24C	1.01	1.02	0.97
TM9E100C20MP11	CF/CM30C	1.01	1.09	0.93
TM9E120D20MP11	CF/CM/CU30D	1.01	1.09	0.89
TM9V040A10MP11C	CF/CM/CU24A	0.97	0.94	0.97
TM9V040A10MP11C	CF/CM/CU30A	1.01	1.02	0.97
TM9V060B12MP11C	CF/CM/CU24B	0.99	0.97	0.90
TM9V060B12MP11C	CF/CM/CU30B	1.01	0.95	0.91
TM9V060B12MP11C	CF24BBAA1	0.99	0.97	0.90
TM9V060B12MP11C	CF30BBAA1	1.01	0.95	0.91
TM9V060B12MP11C	CM24BBAA1	0.99	0.97	0.90
TM9V060B12MP11C	CM30BBAA1	1.01	0.95	0.91
TM9V060B12MP12C	CF/CM/CU24B	0.99	0.97	0.90
TM9V060B12MP12C	CF/CM/CU24C	1.01	1.02	0.91
TM9V060B12MP12C	CF/CM/CU30B	1.01	0.95	0.91
TM9V060B12MP12C	CF/CM/CU30C	1.01	0.98	0.91
TM9V060B12MP12C	CF24BBAA1	0.99	0.97	0.90
TM9V060B12MP12C	CF30BBAA1	1.01	0.95	0.91
TM9V060B12MP12C	CM24BBAA1	0.99	0.97	0.90
TM9V060B12MP12C	CM30BBAA1	1.01	0.95	0.91
TM9V080B12MP11C	CF/CM/CU24B	1.00	0.99	0.90
TM9V080B12MP11C	CF/CM/CU30B	1.01	0.97	0.91
TM9V080B12MP11C	CF24BBAA1	1.00	0.99	0.90
TM9V080B12MP11C	CF30BBAA1	1.01	0.97	0.91
TM9V080B12MP11C	CM24BBAA1	1.00	0.99	0.90
TM9V080B12MP11C	CM30BBAA1	1.01	0.97	0.91
TM9V080B12MP12C	CF/CM/CU24B	1.00	0.99	0.90
TM9V080B12MP12C	CF/CM/CU24C	1.01	1.04	0.90
TM9V080B12MP12C	CF/CM/CU30B	1.01	0.97	0.91
TM9V080B12MP12C	CF/CM/CU30C	1.01	0.99	0.91
TM9V080B12MP12C	CF24BBAA1	1.00	0.99	0.90
TM9V080B12MP12C	CF30BBAA1	1.01	0.97	0.91
TM9V080B12MP12C	CM24BBAA1	1.00	0.99	0.90
TM9V080B12MP12C	CM30BBAA1	1.01	0.97	0.91
TM9V080C16MP12C	CF/CM/CU30C	1.01	1.15	0.91
TM9V080C16MP12C	CF/CM/CU30D	1.01	1.15	0.91
TM9V100C16MP12C	CF/CM/CU24C	1.01	1.12	0.92
TM9V100C16MP12C	CF/CM/CU30C	1.01	1.12	0.91
TM9V100C16MP12C	CF/CM/CU30D	1.01	1.12	0.91
TM9V040A10MP11	CF/CM/CU24A	1.00	1.02	0.94

FURNACE MULTIPLIERS - 2 TON (Continued)

Furnaces	Coil	T.C.	S.C.	KW
TM9Y040A10MP11	CF/CM/CU24B	1.01	1.04	0.94
TM9Y040A10MP11	CF/CM/CU30A	1.01	1.06	0.95
TM9Y040A10MP11	CF/CM/CU30B	1.01	1.01	0.91
TM9Y040A10MP11	CF24ABAA1	1.00	1.02	0.94
TM9Y040A10MP11	CF24BBAA1	1.01	1.04	0.94
TM9Y040A10MP11	CF30ABAA1	1.01	1.06	0.95
TM9Y060B12MP11	CF/CM/CU24B	1.01	1.01	0.93
TM9Y060B12MP11	CF/CM/CU30B	1.01	1.07	0.91
TM9Y060B12MP11	CF24BBAA1	1.01	1.01	0.93
TM9Y060B12MP11	CF30BBAA1	1.01	1.07	0.91
TM9Y060B12MP11	CM24BBAA1	1.01	1.01	0.93
TM9Y060B12MP11	CM30BBAA1	1.01	1.07	0.91
TM9Y080B12MP11	CF/CM/CU24B	1.01	1.05	0.91
TM9Y080B12MP11	CF/CM/CU24C	1.01	1.05	0.90
TM9Y080B12MP11	CF/CM/CU30B	1.01	1.07	0.91
TM9Y080B12MP11	CF/CM/CU30C	1.01	1.01	0.91
TM9Y080B12MP11	CF24BBAA1	1.01	1.05	0.91
TM9Y080C16MP11	CF/CM24C	1.01	1.01	0.93
TM9Y080C16MP11	CF/CM30C	1.01	1.08	0.91
TM9Y100C16MP11	CF/CM/CU30D	1.01	0.98	0.91
TM9Y100C16MP11	CF/CM24C	1.01	1.01	0.93
TM9Y100C16MP11	CF/CM30C	1.01	1.08	0.91
TM9Y100C20MP11	CF/CM/CU30D	1.01	1.09	0.93
TM9Y100C20MP11	CF/CM24C	1.01	1.02	0.97
TM9Y100C20MP11	CF/CM30C	1.01	1.09	0.93
TM9Y120D20MP11	CF/CM/CU30D	1.01	1.09	0.89
TMLE040A12MP11	CF/CM/CU24A	1.01	0.99	0.91
TMLE040A12MP11	CF/CM/CU24B	1.01	0.99	0.91
TMLE040A12MP11	CF/CM/CU30A	1.01	1.16	0.91
TMLE040A12MP11	CF/CM/CU30B	1.01	1.19	0.91
TMLE040A12MP11	CF24ABAA1	1.01	0.99	0.91
TMLE040A12MP11	CF24BBAA1	1.01	0.99	0.91
TMLE040A12MP11	CF30ABAA1	1.01	1.16	0.91
TMLE040A12MP11	CF30BBAA1	1.01	1.19	0.91
TMLE040A12MP11	CM24ABAA1	1.01	0.99	0.91
TMLE040A12MP11	CM24BBAA1	1.01	0.99	0.91
TMLE040A12MP11	CM30BBAA1	1.01	1.19	0.91
TMLE060A12MP11	CF/CM/CU24A	1.01	1.03	0.95
TMLE060A12MP11	CF/CM/CU24B	1.01	1.02	0.91
TMLE060A12MP11	CF/CM/CU30A	1.01	1.16	0.91
TMLE060A12MP11	CF/CM/CU30B	1.01	1.16	0.91
TMLE060A12MP11	CF24ABAA1	1.01	1.03	0.95
TMLE060A12MP11	CF24BBAA1	1.01	1.02	0.91
TMLE060A12MP11	CF30ABAA1	1.01	1.16	0.91
TMLE060A12MP11	CF30BBAA1	1.01	1.16	0.91
TMLE060A12MP11	CM24ABAA1	1.01	1.03	0.95
TMLE060A12MP11	CM24BBAA1	1.01	1.02	0.91
TMLE060A12MP11	CM30BBAA1	1.01	1.16	0.91
TMLE080B12MP11	CF/CM/CU24B	1.01	1.01	0.91
TMLE080B12MP11	CF/CM/CU30B	1.01	1.22	0.91
TMLE080B12MP11	CF/CM24C	1.01	1.12	0.91
TMLE080B12MP11	CF/CM30C	1.01	1.23	0.91
TMLE080B12MP11	CF24BBAA1	1.01	1.01	0.91
TMLE080B12MP11	CF30BBAA1	1.01	1.22	0.91
TMLE080B12MP11	CM24BBAA1	1.01	1.01	0.91

FURNACE MULTIPLIERS - 2 TON (Continued)

Furnaces	Coil	T.C.	S.C.	KW
TMLE080B12MP11	CM30BBAA1	1.01	1.22	0.91
TMLE080C16MP11	CF/CM24C	1.01	1.07	0.91
TMLE080C16MP11	CF/CM30C	1.01	1.17	0.91
TMLE100B12MP11	CF/CM/CU24B	1.01	1.01	0.91
TMLE100B12MP11	CF/CM/CU30B	1.01	1.23	0.91
TMLE100B12MP11	CF/CM24C	1.01	1.08	0.91
TMLE100B12MP11	CF/CM30C	1.01	1.23	0.91
TMLE100B12MP11	CF24BBAA1	1.01	1.01	0.91
TMLE100B12MP11	CF30BBAA1	1.01	1.23	0.91
TMLE100B12MP11	CM24BBAA1	1.01	1.01	0.91
TMLE100B12MP11	CM30BBAA1	1.01	1.23	0.91
TMLE100C16MP11	CF/CM24C	1.01	1.05	0.91
TMLE100C16MP11	CF/CM30C	1.01	1.25	0.91
TMLE120C16MP11	CF/CM24C	1.01	1.05	0.91
TMLE120C16MP11	CF/CM30C	1.01	1.15	0.91
TMLV060A12MP11C	CF/CM/CU24A	1.00	0.99	0.90
TMLV060A12MP11C	CF/CM/CU24B	1.00	0.99	0.90
TMLV060A12MP11C	CF/CM/CU30A	1.01	0.97	0.91
TMLV060A12MP11C	CF/CM/CU30B	1.01	0.97	0.91
TMLV060A12MP11C	CF24ABAA1	1.00	0.99	0.90
TMLV060A12MP11C	CF24BBAA1	1.00	0.99	0.90
TMLV060A12MP11C	CF30ABAA1	1.01	0.97	0.91
TMLV060A12MP11C	CF30BBAA1	1.01	0.97	0.91
TMLV060A12MP11C	CM24ABAA1	1.00	0.99	0.90
TMLV060A12MP11C	CM24BBAA1	1.00	0.99	0.90
TMLV060A12MP11C	CM30BBAA1	1.01	0.97	0.91
TMLV060A12MP12C	CF/CM/CU24A	1.00	0.99	0.90
TMLV060A12MP12C	CF/CM/CU24B	1.00	0.99	0.90
TMLV060A12MP12C	CF/CM/CU30A	1.01	0.97	0.91
TMLV060A12MP12C	CF/CM/CU30B	1.01	0.97	0.91
TMLV060A12MP12C	CF24ABAA1	1.00	0.99	0.90
TMLV060A12MP12C	CF24BBAA1	1.00	0.99	0.90
TMLV060A12MP12C	CF30ABAA1	1.01	0.97	0.91
TMLV060A12MP12C	CF30BBAA1	1.01	0.97	0.91
TMLV060A12MP12C	CM24ABAA1	1.00	0.99	0.90
TMLV060A12MP12C	CM24BBAA1	1.00	0.99	0.90
TMLV060A12MP12C	CM30BBAA1	1.01	0.97	0.91
TMLV080B12MP11C	CF/CM/CU24B	1.00	0.99	0.91
TMLV080B12MP11C	CF/CM/CU30B	1.01	0.96	0.91
TMLV080B12MP11C	CF24BBAA1	1.00	0.99	0.91
TMLV080B12MP11C	CF30BBAA1	1.01	0.96	0.91
TMLV080B12MP11C	CM24BBAA1	1.00	0.99	0.91
TMLV080B12MP11C	CM30BBAA1	1.01	0.96	0.91
TMLV080B12MP12C	CF/CM/CU24B	1.00	0.99	0.91
TMLV080B12MP12C	CF/CM/CU24C	1.01	1.03	0.91
TMLV080B12MP12C	CF/CM/CU30B	1.01	0.96	0.91
TMLV080B12MP12C	CF/CM/CU30C	1.01	0.97	0.91
TMLV080B12MP12C	CF24BBAA1	1.00	0.99	0.91
TMLV080B12MP12C	CF30BBAA1	1.01	0.96	0.91
TMLV080B12MP12C	CM24BBAA1	1.00	0.99	0.91
TMLV080B12MP12C	CM30BBAA1	1.01	0.96	0.91
TMLV080C16MP12C	CF/CM/CU24C	1.01	1.19	0.92
TMLV080C16MP12C	CF/CM/CU30C	1.01	1.10	0.91
TMLV080C16MP12C	CF/CM/CU30D	1.01	1.10	0.91
TMLV100C16MP12C	CF/CM/CU24C	1.01	1.19	0.92

FURNACE MULTIPLIERS - 2 TON (Continued)

Furnaces	Coil	T.C.	S.C.	KW
TMLV100C16MP12C	CF/CM/CU30C	1.01	1.10	0.91
TMLV100C16MP12C	CF/CM/CU30D	1.01	1.10	0.91
TMLX060A12MP11	CF/CM/CU24A	1.00	0.99	0.90
TMLX060A12MP11	CF/CM/CU24B	1.01	1.02	0.90
TMLX060A12MP11	CF/CM/CU30A	1.01	0.96	0.91
TMLX060A12MP11	CF/CM/CU30B	1.01	0.98	0.91
TMLX060A12MP11	CF24ABAA1	1.00	0.99	0.90
TMLX060A12MP11	CF24BBAA1	1.01	1.02	0.90
TMLX060A12MP11	CF30ABAA1	1.01	0.96	0.91
TMLX060A12MP11	CF30BBAA1	1.01	0.98	0.91
TMLX060A12MP11	CM24ABAA1	1.01	1.03	0.93
TMLX060A12MP11	CM24BBAA1	1.01	1.02	0.90
TMLX060A12MP11	CM30BBAA1	1.01	0.98	0.91
TMLX080B12MP11	CF/CM/CU24B	1.01	1.04	0.90
TMLX080B12MP11	CF/CM/CU24C	1.01	1.04	0.90
TMLX080B12MP11	CF/CM/CU30B	1.01	0.99	0.91
TMLX080B12MP11	CF/CM/CU30C	1.01	0.99	0.91
TMLX080B12MP11	CF24BBAA1	1.01	1.04	0.90
TMLX080B12MP11	CF30BBAA1	1.01	1.05	0.91
TMLX080B12MP11	CM24BBAA1	0.99	0.99	0.91
TMLX080B12MP11	CM30BBAA1	1.01	1.05	0.91
TMLX080C16MP11	CF/CM/CU30D	1.01	1.11	0.91
TMLX080C16MP11	CF/CM24C	1.01	1.04	0.91
TMLX080C16MP11	CF/CM30C	1.01	1.11	0.91
TMLX100C16MP11	CF/CM/CU30D	1.01	1.11	0.91
TMLX100C16MP11	CF/CM24C	1.01	1.04	0.91
TMLX100C16MP11	CF/CM30C	1.01	1.11	0.91
TMLX100C20MP11	CF/CM/CU30D	1.01	1.08	0.95
TMLX100C20MP11	CF/CM30C	1.01	1.08	0.95
TMLX120C20MP11	CF/CM/CU30D	1.01	1.08	0.95
TMLX120C20MP11	CF/CM30C	1.01	1.08	0.95
TP9C060B12MP12C	CF/CM/CU24B	1.01	1.04	0.91
TP9C060B12MP12C	CF/CM/CU30B	1.01	0.99	0.91
TP9C060B12MP13C	CF/CM/CU24B	0.99	0.97	0.90
TP9C060B12MP13C	CF/CM/CU24C	1.01	1.02	0.91
TP9C060B12MP13C	CF/CM/CU30B	1.01	0.95	0.91
TP9C060B12MP13C	CF/CM/CU30C	1.01	0.98	0.91
TP9C060B12MP13C	CF24BBAA1	0.99	0.97	0.90
TP9C060B12MP13C	CF30BBAA1	1.01	0.95	0.91
TP9C060B12MP13C	CM24BBAA1	0.99	0.97	0.90
TP9C060B12MP13C	CM30BBAA1	1.01	0.95	0.91
TP9C080B12MP12C	CF/CM/CU24B	1.00	0.99	0.90
TP9C080B12MP12C	CF/CM/CU30B	1.01	0.97	0.91
TP9C080B12MP12C	CF24BBAA1	1.00	0.99	0.90
TP9C080B12MP12C	CF30BBAA1	1.01	0.97	0.91
TP9C080B12MP12C	CM24BBAA1	1.00	0.99	0.90
TP9C080B12MP12C	CM30BBAA1	1.01	0.97	0.91
TP9C080B12MP13C	CF/CM/CU24B	1.00	0.99	0.90
TP9C080B12MP13C	CF/CM/CU24C	1.01	1.04	0.90
TP9C080B12MP13C	CF/CM/CU30B	1.01	0.97	0.91
TP9C080B12MP13C	CF/CM/CU30C	1.01	0.99	0.91
TP9C080B12MP13C	CF24BBAA1	1.00	0.99	0.90
TP9C080B12MP13C	CF30BBAA1	1.01	0.97	0.91
TP9C080B12MP13C	CM24BBAA1	1.00	0.99	0.90
TP9C080B12MP13C	CM30BBAA1	1.01	0.97	0.91

FURNACE MULTIPLIERS - 2 TON (Continued)

Furnaces	Coil	T.C.	S.C.	KW
TP9C080C16MP13C	CF/CM/CU30C	1.01	1.15	0.91
TP9C080C16MP13C	CF/CM/CU30D	1.01	1.15	0.91
TP9C100C16MP13C	CF/CM/CU24C	1.01	1.12	0.92
TP9C100C16MP13C	CF/CM/CU30C	1.01	1.12	0.91
TP9C100C16MP13C	CF/CM/CU30D	1.01	1.12	0.91
TPLC060A12MP12C	CF/CM/CU24A	1.00	0.99	0.90
TPLC060A12MP12C	CF/CM/CU24B	1.00	0.99	0.90
TPLC060A12MP12C	CF/CM/CU30A	1.01	0.97	0.91
TPLC060A12MP12C	CF/CM/CU30B	1.01	0.97	0.91
TPLC060A12MP12C	CF24ABAA1	1.00	0.99	0.90
TPLC060A12MP12C	CF24BBAA1	1.00	0.99	0.90
TPLC060A12MP12C	CF30ABAA1	1.01	0.97	0.91
TPLC060A12MP12C	CF30BBAA1	1.01	0.97	0.91
TPLC060A12MP12C	CM24ABAA1	1.00	0.99	0.90
TPLC060A12MP12C	CM24BBAA1	1.00	0.99	0.90
TPLC060A12MP12C	CM30BBAA1	1.01	0.97	0.91
TPLC060A12MP13C	CF/CM/CU24A	1.00	0.99	0.90
TPLC060A12MP13C	CF/CM/CU24B	1.00	0.99	0.90
TPLC060A12MP13C	CF/CM/CU30A	1.01	0.97	0.91
TPLC060A12MP13C	CF/CM/CU30B	1.01	0.97	0.91
TPLC060A12MP13C	CF24ABAA1	1.00	0.99	0.90
TPLC060A12MP13C	CF24BBAA1	1.00	0.99	0.90
TPLC060A12MP13C	CF30ABAA1	1.01	0.97	0.91
TPLC060A12MP13C	CF30BBAA1	1.01	0.97	0.91
TPLC060A12MP13C	CM24ABAA1	1.00	0.99	0.90
TPLC060A12MP13C	CM24BBAA1	1.00	0.99	0.90
TPLC060A12MP13C	CM30BBAA1	1.01	0.97	0.91
TPLC080B12MP12C	CF/CM/CU24B	1.00	0.99	0.91
TPLC080B12MP12C	CF/CM/CU30B	1.01	0.96	0.91
TPLC080B12MP12C	CF24BBAA1	1.00	0.99	0.91
TPLC080B12MP12C	CF30BBAA1	1.01	0.96	0.91
TPLC080B12MP12C	CM24BBAA1	1.00	0.99	0.91
TPLC080B12MP12C	CM30BBAA1	1.01	0.96	0.91
TPLC080B12MP13C	CF/CM/CU24B	1.00	0.99	0.91
TPLC080B12MP13C	CF/CM/CU24C	1.01	1.03	0.91
TPLC080B12MP13C	CF/CM/CU30B	1.01	0.96	0.91
TPLC080B12MP13C	CF/CM/CU30C	1.01	0.97	0.91
TPLC080B12MP13C	CF24BBAA1	1.00	0.99	0.91
TPLC080B12MP13C	CF30BBAA1	1.01	0.96	0.91
TPLC080B12MP13C	CM24BBAA1	1.00	0.99	0.91
TPLC080B12MP13C	CM30BBAA1	1.01	0.96	0.91
TPLC080C16MP13C	CF/CM/CU24C	1.01	1.19	0.92
TPLC080C16MP13C	CF/CM/CU30C	1.01	1.10	0.91
TPLC080C16MP13C	CF/CM/CU30D	1.01	1.10	0.91
TPLC100C16MP13C	CF/CM/CU24C	1.01	1.19	0.92
TPLC100C16MP13C	CF/CM/CU30C	1.01	1.10	0.91
TPLC100C16MP13C	CF/CM/CU30D	1.01	1.10	0.91
YP9C060B12MP12C	CF/CM/CU24B	1.01	1.04	0.91
YP9C060B12MP12C	CF/CM/CU30B	1.01	0.99	0.91
YP9C060B12MP13C	CF/CM/CU24B	0.99	0.97	0.90
YP9C060B12MP13C	CF/CM/CU24C	1.01	1.02	0.91
YP9C060B12MP13C	CF/CM/CU30B	1.01	0.95	0.91
YP9C060B12MP13C	CF/CM/CU30C	1.01	0.98	0.91
YP9C060B12MP13C	CF24BBAA1	0.99	0.97	0.90
YP9C060B12MP13C	CF30BBAA1	1.01	0.95	0.91

FURNACE MULTIPLIERS - 2 TON (Continued)

Furnaces	Coil	T.C.	S.C.	KW
YP9C060B12MP13C	CM24BBAA1	0.99	0.97	0.90
YP9C060B12MP13C	CM30BBAA1	1.01	0.95	0.91
YP9C080B12MP12C	CF/CM/CU24B	1.00	0.99	0.90
YP9C080B12MP12C	CF/CM/CU30B	1.01	0.97	0.91
YP9C080B12MP12C	CF24BBAA1	1.00	0.99	0.90
YP9C080B12MP12C	CF30BBAA1	1.01	0.97	0.91
YP9C080B12MP12C	CM24BBAA1	1.00	0.99	0.90
YP9C080B12MP12C	CM30BBAA1	1.01	0.97	0.91
YP9C080B12MP13C	CF/CM/CU24B	1.00	0.99	0.90
YP9C080B12MP13C	CF/CM/CU24C	1.01	1.04	0.90
YP9C080B12MP13C	CF/CM/CU30B	1.01	0.97	0.91
YP9C080B12MP13C	CF/CM/CU30C	1.01	0.99	0.91
YP9C080B12MP13C	CF24BBAA1	1.00	0.99	0.90
YP9C080B12MP13C	CF30BBAA1	1.01	0.97	0.91
YP9C080B12MP13C	CM24BBAA1	1.00	0.99	0.90
YP9C080B12MP13C	CM30BBAA1	1.01	0.97	0.91
YP9C080C16MP13C	CF/CM/CU30C	1.01	1.15	0.91
YP9C080C16MP13C	CF/CM/CU30D	1.01	1.15	0.91
YP9C100C16MP13C	CF/CM/CU24C	1.01	1.12	0.92
YP9C100C16MP13C	CF/CM/CU30C	1.01	1.12	0.91
YP9C100C16MP13C	CF/CM/CU30D	1.01	1.12	0.91
YPLC060A12MP12C	CF/CM/CU24A	1.00	0.99	0.90
YPLC060A12MP12C	CF/CM/CU24B	1.00	0.99	0.90
YPLC060A12MP12C	CF/CM/CU30A	1.01	0.97	0.91
YPLC060A12MP12C	CF/CM/CU30B	1.01	0.97	0.91
YPLC060A12MP12C	CF24ABAA1	1.00	0.99	0.90
YPLC060A12MP12C	CF24BBAA1	1.00	0.99	0.90
YPLC060A12MP12C	CF30ABAA1	1.01	0.97	0.91
YPLC060A12MP12C	CF30BBAA1	1.01	0.97	0.91
YPLC060A12MP12C	CM24ABAA1	1.00	0.99	0.90
YPLC060A12MP12C	CM24BBAA1	1.00	0.99	0.90
YPLC060A12MP12C	CM30BBAA1	1.01	0.97	0.91
YPLC060A12MP13C	CF/CM/CU24A	1.00	0.99	0.90

FURNACE MULTIPLIERS - 2 TON (Continued)

Furnaces	Coil	T.C.	S.C.	KW
YPLC060A12MP13C	CF/CM/CU24B	1.00	0.99	0.90
YPLC060A12MP13C	CF/CM/CU30A	1.01	0.97	0.91
YPLC060A12MP13C	CF/CM/CU30B	1.01	0.97	0.91
YPLC060A12MP13C	CF24ABAA1	1.00	0.99	0.90
YPLC060A12MP13C	CF24BBAA1	1.00	0.99	0.90
YPLC060A12MP13C	CF30ABAA1	1.01	0.97	0.91
YPLC060A12MP13C	CF30BBAA1	1.01	0.97	0.91
YPLC060A12MP13C	CM24ABAA1	1.00	0.99	0.90
YPLC060A12MP13C	CM24BBAA1	1.00	0.99	0.90
YPLC060A12MP13C	CM30BBAA1	1.01	0.97	0.91
YPLC080B12MP12C	CF/CM/CU24B	1.00	0.99	0.91
YPLC080B12MP12C	CF/CM/CU30B	1.01	0.96	0.91
YPLC080B12MP12C	CF24BBAA1	1.00	0.99	0.91
YPLC080B12MP12C	CF30BBAA1	1.01	0.96	0.91
YPLC080B12MP12C	CM24BBAA1	1.00	0.99	0.91
YPLC080B12MP12C	CM30BBAA1	1.01	0.96	0.91
YPLC080B12MP13C	CF/CM/CU24B	1.00	0.99	0.91
YPLC080B12MP13C	CF/CM/CU24C	1.01	1.03	0.91
YPLC080B12MP13C	CF/CM/CU30B	1.01	0.96	0.91
YPLC080B12MP13C	CF/CM/CU30C	1.01	0.97	0.91
YPLC080B12MP13C	CF24BBAA1	1.00	0.99	0.91
YPLC080B12MP13C	CF30BBAA1	1.01	0.96	0.91
YPLC080B12MP13C	CM24BBAA1	1.00	0.99	0.91
YPLC080B12MP13C	CM30BBAA1	1.01	0.96	0.91
YPLC080C16MP13C	CF/CM/CU24C	1.01	1.19	0.92
YPLC080C16MP13C	CF/CM/CU30C	1.01	1.10	0.91
YPLC080C16MP13C	CF/CM/CU30D	1.01	1.10	0.91
YPLC100C16MP13C	CF/CM/CU24C	1.01	1.19	0.92
YPLC100C16MP13C	CF/CM/CU30C	1.01	1.10	0.91
YPLC100C16MP13C	CF/CM/CU30D	1.01	1.10	0.91

HEATING PERFORMANCE DATA										
CONDENSING UNIT MODEL NO		YHE24B21S								
AIR TEMP. ENTERING OUTDOOR UNIT (°F)	AIR TEMP. ENTERING INDOOR COIL (°F)	ID CFM								
		600			800			1000		
		MBH	COP	KW	MBH	COP	KW	MBH	COP	KW
60	60	29.5	3.98	2.17	30.4	4.33	2.06	31.4	4.69	1.96
	70	28.6	3.51	2.39	29.7	3.82	2.28	30.8	4.17	2.16
	80	27.8	3.11	2.62	29.0	3.41	2.49	30.1	3.74	2.36
47	60	25.1	3.56	2.06	26.0	3.83	1.99	26.9	4.13	1.91
	70	24.3	3.13	2.28	25.2	3.36	2.20	26.1	3.60	2.12
	80	23.6	2.76	2.51	24.4	2.97	2.41	25.3	3.19	2.32
40	60	22.7	3.33	2.00	23.4	3.51	1.95	24.0	3.73	1.89
	70	22.1	2.91	2.22	22.8	3.11	2.15	23.5	3.29	2.09
	80	21.4	2.57	2.44	22.2	2.75	2.36	23.0	2.95	2.28
30	60	19.8	2.98	1.94	20.2	3.12	1.90	20.7	3.25	1.87
	70	19.2	2.62	2.15	19.7	2.74	2.10	20.1	2.87	2.05
	80	18.7	2.33	2.36	19.1	2.43	2.30	19.4	2.54	2.24
17	60	15.3	2.44	1.83	15.9	2.54	1.83	16.5	2.64	1.83
	70	14.7	2.12	2.03	15.2	2.21	2.01	15.7	2.30	1.99
	80	14.1	1.86	2.23	14.5	1.93	2.19	14.8	2.01	2.16
10	60	13.4	2.21	1.78	14.0	2.29	1.79	14.63	2.39	1.79
	70	13.0	1.94	1.97	13.5	2.01	1.97	14.0	2.09	1.96
	80	12.7	1.71	2.17	13.0	1.77	2.15	13.3	1.83	2.13
0	60	9.9	1.71	1.69	10.3	1.78	1.70	10.8	1.86	1.70
	70	9.6	1.50	1.87	10.0	1.56	1.87	10.3	1.62	1.86
	80	9.4	1.33	2.06	9.6	1.37	2.05	9.8	1.42	2.03
-10	60	6.7	1.20	1.65	7.0	1.24	1.66	7.3	1.30	1.66
	70	6.5	1.05	1.82	6.8	1.09	1.82	7.0	1.13	1.81
	80	6.4	0.93	2.01	6.5	0.96	1.99	6.7	0.99	1.97
-20	60	3.6	0.65	1.60	3.7	0.68	1.61	3.9	0.70	1.61
	70	3.5	0.57	1.77	3.6	0.59	1.77	3.7	0.61	1.76
	80	3.4	0.50	1.95	3.4	0.52	1.93	3.5	0.54	1.92

NOTE: ALL CAPACITIES INCLUDE INDOOR FAN HEAT. KW VALUES ARE FOR THE SYSTEM (OUTDOOR + INDOOR).

Yellow shaded cells are AHRI High Heating conditions.

Orange shaded cells are AHRI Low Heating conditions.

Multipliers for determining the performance with other indoor sections.

COIL MULTIPLIERS - 2 TON

Air Handler	Coil	MBH	COP	KW
-	CF/CM/CU24A	1.00	0.97	1.07
-	CF/CM/CU24B	1.00	1.00	1.04
-	CF/CM/CU30A	1.00	1.03	1.00
-	CF/CM/CU30B	1.00	1.06	1.00
-	CF/CM/CU30D	1.00	1.06	0.95
-	CF/CM24C	1.00	1.00	1.00
-	CF/CM30C	1.00	1.06	0.95
-	CF24ABAA1	1.00	0.97	1.07
-	CF24BBAA1	1.00	1.00	1.04
-	CF30ABAA1	1.00	1.03	1.00
-	CF30BBAA1	1.00	1.06	1.00
-	CM24ABAA1	1.00	0.97	1.07
-	CM24BBAA1	1.00	1.00	1.04
-	CM30BBAA1	1.00	1.06	1.00
AE24BBA21	-	1.00	1.03	0.98
AE24BX21	-	1.00	1.03	0.98
AE30BX21	-	1.00	1.14	0.87
AP24BBA21	-	1.00	1.00	1.00

COIL MULTIPLIERS - 2 TON

Air Handler	Coil	MBH	COP	KW
AP24BX21	-	1.00	1.00	1.00
AP30BX21	-	1.00	1.09	0.92
AVC24BX21	-	1.00	1.01	1.01
AVC30BX21	-	1.00	1.15	0.87
ME08BN21	CF/CM24B	1.00	1.07	0.95
ME08BN21	CF/CM30B	1.00	1.15	0.87
ME08BN21	CF24BBAA1	1.00	1.07	0.95
ME08BN21	CF30BBAA1	0.99	1.14	0.87
ME08BN21	CM24BBAA1	0.98	1.06	0.92
ME08BN21	CM30BBAA1	0.99	1.14	0.87
ME12BN21	CF/CM24B	1.00	1.03	0.98
ME12BN21	CF/CM30B	1.00	1.11	0.90
ME12BN21	CF24BBAA1	1.00	1.03	0.98
ME12BN21	CF30BBAA1	1.00	1.13	0.88
ME12BN21	CM24BBAA1	0.98	1.06	0.92
ME12BN21	CM30BBAA1	1.00	1.13	0.88
ME12CN21	CF/CM24C	1.00	0.99	1.03
ME14DN21	CF/CM30D	1.00	1.11	0.90

COIL MULTIPLIERS - 2 TON

Air Handler	Coil	MBH	COP	KW
ME16CN21	CF/CM24C	1.00	1.03	0.97
ME16CN21	CF/CM30C	1.00	1.19	0.84
MVC08BN21	CF/CM24B	1.00	1.01	1.00
MVC08BN21	CF/CM30B	1.00	1.10	0.91
MVC08BN21	CF24BBAA1	1.00	1.01	1.00
MVC08BN21	CF30BBAA1	0.98	1.10	0.80
MVC08BN21	CM24BBAA1	0.98	1.06	0.84
MVC08BN21	CM30BBAA1	0.98	1.10	0.80
MVC12BN21	CF/CM24B	1.00	1.06	0.94
MVC12BN21	CF/CM30B	1.00	1.15	0.87
MVC12BN21	CF24BBAA1	1.00	1.06	0.94
MVC12BN21	CF30BBAA1	1.00	1.15	0.87
MVC12BN21	CM24BBAA1	0.98	1.06	0.85
MVC12BN21	CM30BBAA1	1.00	1.15	0.87
MVC12CN21	CF/CM24C	1.00	1.05	0.96
MVC12CN21	CF/CM30C	1.00	1.10	0.91
MVC14DN21	CF/CM30D	0.99	1.15	0.86
MVC16CN21	CF/CM24C	1.00	1.06	0.95
MVC16CN21	CF/CM30C	1.00	1.19	0.84

FURNACE MULTIPLIERS - 2 TON

Furnaces	Coil	MBH	COP	KW
TL8E060A12UH11	CF/CM/CU24B	1.00	1.13	0.88
TL8E060A12UH11	CF/CM/CU30B	1.00	1.12	0.89
TL8E060A12UH11	CF/CM30C	1.00	1.14	0.88
TL8E060A12UH11	CF24BBAA1	1.00	1.13	0.88
TL8E060A12UH11	CF30BBAA1	1.00	1.12	0.89
TL8E060A12UH11	CM24BBAA1	1.00	1.13	0.88
TL8E060A12UH11	CM30BBAA1	1.00	1.12	0.89
TL8E080C16UH11	CF/CM24C	1.00	1.18	0.85
TL8E080C16UH11	CF/CM30C	1.00	1.17	0.85
TL9E060B12UH11	CF/CM/CU24B	1.00	1.03	0.97
TL9E060B12UH11	CF/CM/CU30B	1.00	1.11	0.90
TL9E060B12UH11	CF/CM24C	1.00	1.05	0.96
TL9E060B12UH11	CF/CM30C	1.00	1.11	0.90
TL9E060B12UH11	CF24BBAA1	1.00	1.03	0.97
TL9E060B12UH11	CF30BBAA1	1.00	1.11	0.90
TL9E060B12UH11	CM24BBAA1	1.00	1.03	0.97
TL9E060B12UH11	CM30BBAA1	1.00	1.11	0.90
TL9E080C16UH11	CF/CM24C	1.00	1.15	0.87
TL9E080C16UH11	CF/CM30C	1.00	1.16	0.86
TM8E040A12MP11	CF/CM/CU24A	1.00	1.06	0.95
TM8E040A12MP11	CF/CM/CU24B	1.00	1.05	0.95
TM8E040A12MP11	CF/CM/CU30A	1.00	1.09	0.92
TM8E040A12MP11	CF/CM/CU30B	1.00	1.12	0.89
TM8E040A12MP11	CF24ABAA1	1.00	1.06	0.95
TM8E040A12MP11	CF24BBAA1	1.00	1.05	0.95
TM8E040A12MP11	CF30ABAA1	1.00	1.09	0.92
TM8E040A12MP11	CF30BBAA1	1.00	1.12	0.89
TM8E040A12MP11	CM24ABAA1	1.00	1.06	0.95
TM8E040A12MP11	CM24BBAA1	1.00	1.05	0.95
TM8E040A12MP11	CM30BBAA1	1.00	1.12	0.89
TM8E060A12MP11	CF/CM/CU24A	1.00	1.08	0.93
TM8E060A12MP11	CF/CM/CU24B	1.00	1.07	0.93
TM8E060A12MP11	CF/CM/CU30A	1.00	1.09	0.92
TM8E060A12MP11	CF/CM/CU30B	1.00	1.12	0.89
TM8E060A12MP11	CF24ABAA1	1.00	1.06	0.95
TM8E060A12MP11	CF24BBAA1	1.00	1.05	0.95
TM8E060A12MP11	CF30ABAA1	1.00	1.07	0.93
TM8E060A12MP11	CF30BBAA1	1.00	1.08	0.93
TM8E060A12MP11	CM24ABAA1	1.00	1.06	0.95
TM8E060A12MP11	CM24BBAA1	1.00	1.05	0.95
TM8E060A12MP11	CM30BBAA1	1.00	1.08	0.93
TM8E080B12MP11C	CF/CM/CU24B	1.00	1.06	0.94
TM8E080B12MP11C	CF/CM/CU30B	1.00	1.08	0.93
TM8E080B12MP11C	CF/CM24C	1.00	1.16	0.86
TM8E080B12MP11C	CF/CM30C	1.00	1.10	0.91
TM8E080B12MP11C	CF24BBAA1	1.00	1.06	0.94
TM8E080B12MP11C	CF30BBAA1	1.00	1.08	0.93
TM8E080B12MP11C	CM24BBAA1	1.00	1.06	0.94
TM8E080B12MP11C	CM30BBAA1	1.00	1.08	0.93
TM8E080C16MP11	CF/CM24C	1.00	1.18	0.85
TM8E080C16MP11	CF/CM30C	1.00	1.11	0.90
TM8E100B12MP11	CF/CM/CU24B	1.00	1.12	0.89
TM8E100B12MP11	CF/CM/CU30B	1.00	1.10	0.91
TM8E100B12MP11	CF/CM24C	1.00	1.13	0.89
TM8E100B12MP11	CF/CM30C	1.00	1.10	0.91
TM8E100B12MP11	CF24BBAA1	1.00	1.12	0.89
TM8E100B12MP11	CF30BBAA1	1.00	1.10	0.91
TM8E100B12MP11	CM24BBAA1	1.00	1.12	0.89
TM8E100B12MP11	CM30BBAA1	1.00	1.10	0.91
TM8E100C16MP11	CF/CM24C	1.00	1.17	0.86
TM8E100C16MP11	CF/CM30C	1.00	1.17	0.85
TM8E120C16MP11	CF/CM24C	1.00	1.17	0.86
TM8E120C16MP11	CF/CM30C	1.00	1.10	0.91
TM8V060A12MP11C	CF/CM/CU24A	1.00	0.99	1.03
TM8V060A12MP11C	CF/CM/CU24B	1.00	0.99	1.02
TM8V060A12MP11C	CF/CM/CU30A	1.00	1.07	0.93
TM8V060A12MP11C	CF/CM/CU30B	1.00	1.08	0.93
TM8V060A12MP11C	CF24ABAA1	1.00	0.99	1.03
TM8V060A12MP11C	CF24BBAA1	1.00	0.99	1.02
TM8V060A12MP11C	CF30ABAA1	1.00	1.07	0.93
TM8V060A12MP11C	CF30BBAA1	1.00	1.08	0.93
TM8V060A12MP11C	CM24ABAA1	1.00	0.99	1.03
TM8V060A12MP11C	CM24BBAA1	1.00	0.99	1.02
TM8V060A12MP11C	CM30BBAA1	1.00	1.08	0.93
TM8V060A12MP12C	CF/CM/CU24A	1.00	0.99	1.03
TM8V060A12MP12C	CF/CM/CU24B	1.00	0.99	1.02
TM8V060A12MP12C	CF/CM/CU30A	1.00	1.07	0.93
TM8V060A12MP12C	CF/CM/CU30B	1.00	1.08	0.93
TM8V060A12MP12C	CF24ABAA1	1.00	0.99	1.03
TM8V060A12MP12C	CF24BBAA1	1.00	0.99	1.02
TM8V060A12MP12C	CF30ABAA1	1.00	1.07	0.93
TM8V060A12MP12C	CF30BBAA1	1.00	1.08	0.93
TM8V060A12MP12C	CM24ABAA1	1.00	0.99	1.03
TM8V060A12MP12C	CM24BBAA1	1.00	0.99	1.02
TM8V060A12MP12C	CM30BBAA1	1.00	1.08	0.93
TM8V080B12MP11C	CF/CM/CU24B	1.00	0.99	1.03
TM8V080B12MP11C	CF/CM/CU30B	1.00	1.07	0.93
TM8V080B12MP11C	CF24BBAA1	1.00	0.99	1.03

FURNACE MULTIPLIERS - 2 TON (Continued)

Furnaces	Coil	MBH	COP	KW
TM8E060A12MP11	CF/CM/CU30B	1.00	1.10	0.91
TM8E060A12MP11	CF24ABAA1	1.00	1.08	0.93
TM8E060A12MP11	CF24BBAA1	1.00	1.07	0.93
TM8E060A12MP11	CF30ABAA1	1.00	1.09	0.92
TM8E060A12MP11	CF30BBAA1	1.00	1.10	0.91
TM8E060A12MP11	CM24ABAA1	1.00	1.08	0.93
TM8E060A12MP11	CM24BBAA1	1.00	1.07	0.93
TM8E060A12MP11	CM30BBAA1	1.00	1.10	0.91
TM8E080B12MP11	CF/CM/CU24B	1.00	1.06	0.94
TM8E080B12MP11	CF/CM/CU30B	1.00	1.08	0.93
TM8E080B12MP11	CF/CM24C	1.00	1.16	0.86
TM8E080B12MP11	CF/CM30C	1.00	1.10	0.91
TM8E080B12MP11	CF24BBAA1	1.00	1.06	0.94
TM8E080B12MP11	CF30BBAA1	1.00	1.08	0.93
TM8E080B12MP11	CM24BBAA1	1.00	1.06	0.94
TM8E080B12MP11	CM30BBAA1	1.00	1.08	0.93
TM8E080C16MP11	CF/CM24C	1.00	1.18	0.85
TM8E080C16MP11	CF/CM30C	1.00	1.11	0.90
TM8E100B12MP11	CF/CM/CU24B	1.00	1.12	0.89
TM8E100B12MP11	CF/CM/CU30B	1.00	1.10	0.91
TM8E100B12MP11	CF/CM24C	1.00	1.13	0.89
TM8E100B12MP11	CF/CM30C	1.00	1.10	0.91
TM8E100B12MP11	CF24BBAA1	1.00	1.12	0.89
TM8E100B12MP11	CF30BBAA1	1.00	1.10	0.91
TM8E100B12MP11	CM24BBAA1	1.00	1.12	0.89
TM8E100B12MP11	CM30BBAA1	1.00	1.10	0.91
TM8E100C16MP11	CF/CM24C	1.00	1.17	0.86
TM8E100C16MP11	CF/CM30C	1.00	1.17	0.85
TM8E120C16MP11	CF/CM24C	1.00	1.17	0.86
TM8E120C16MP11	CF/CM30C	1.00	1.10	0.91
TM8V060A12MP11C	CF/CM/CU24A	1.00	0.99	1.03
TM8V060A12MP11C	CF/CM/CU24B	1.00	0.99	1.02
TM8V060A12MP11C	CF/CM/CU30A	1.00	1.07	0.93
TM8V060A12MP11C	CF/CM/CU30B	1.00	1.08	0.93
TM8V060A12MP11C	CF24ABAA1	1.00	0.99	1.03
TM8V060A12MP11C	CF24BBAA1	1.00	0.99	1.02
TM8V060A12MP11C	CF30ABAA1	1.00	1.07	0.93
TM8V060A12MP11C	CF30BBAA1	1.00	1.08	0.93
TM8V060A12MP11C	CM24ABAA1	1.00	0.99	1.03
TM8V060A12MP11C	CM24BBAA1	1.00	0.99	1.02
TM8V060A12MP11C	CM30BBAA1	1.00	1.08	0.93
TM8V060A12MP12C	CF/CM/CU24A	1.00	0.99	1.03
TM8V060A12MP12C	CF/CM/CU24B	1.00	0.99	1.02
TM8V060A12MP12C	CF/CM/CU30A	1.00	1.07	0.93
TM8V060A12MP12C	CF/CM/CU30B	1.00	1.08	0.93
TM8V060A12MP12C	CF24ABAA1	1.00	0.99	1.03
TM8V060A12MP12C	CF24BBAA1	1.00	0.99	1.02
TM8V060A12MP12C	CF30ABAA1	1.00	1.07	0.93
TM8V060A12MP12C	CF30BBAA1	1.00	1.08	0.93
TM8V060A12MP12C	CM24ABAA1	1.00	0.99	1.03
TM8V060A12MP12C	CM24BBAA1	1.00	0.99	1.02
TM8V060A12MP12C	CM30BBAA1	1.00	1.08	0.93
TM8V080B12MP11C	CF/CM/CU24B	1.00	0.99	1.03
TM8V080B12MP11C	CF/CM/CU30B	1.00	1.07	0.93
TM8V080B12MP11C	CF24BBAA1	1.00	0.99	1.03

FURNACE MULTIPLIERS - 2 TON (Continued)

Furnaces	Coil	MBH	COP	KW
TM8V080B12MP11C	CF30BBAA1	1.00	1.07	0.93
TM8V080B12MP11C	CM24BBAA1	1.00	0.99	1.03
TM8V080B12MP11C	CM30BBAA1	1.00	1.07	0.93
TM8V080B12MP12C	CF/CM/CU24B	1.00	0.99	1.03
TM8V080B12MP12C	CF/CM/CU24C	1.00	1.02	1.00
TM8V080B12MP12C	CF/CM/CU30B	1.00	1.07	0.93
TM8V080B12MP12C	CF/CM/CU30C	1.00	1.07	0.93
TM8V080B12MP12C	CF24BBAA1	1.00	0.99	1.03
TM8V080B12MP12C	CF30BBAA1	1.00	1.07	0.93
TM8V080B12MP12C	CM24BBAA1	1.00	0.99	1.03
TM8V080B12MP12C	CM30BBAA1	1.00	1.07	0.93
TM8V080C16MP12C	CF/CM/CU24C	1.00	1.09	0.94
TM8V080C16MP12C	CF/CM/CU30C	1.00	1.17	0.86
TM8V080C16MP12C	CF/CM/CU30D	1.00	1.17	0.86
TM8V100C16MP12C	CF/CM/CU24C	1.00	1.09	0.94
TM8V100C16MP12C	CF/CM/CU30C	1.00	1.17	0.86
TM8V100C16MP12C	CF/CM/CU30D	1.00	1.17	0.86
TM8X060A12MP11	CF/CM/CU24A	1.00	0.99	1.03
TM8X060A12MP11	CF/CM/CU24B	1.00	1.01	1.02
TM8X060A12MP11	CF/CM/CU30A	1.00	1.07	0.94
TM8X060A12MP11	CF/CM/CU30B	1.00	1.09	0.92
TM8X060A12MP11	CF24ABAA1	1.00	0.99	1.03
TM8X060A12MP11	CF24BBAA1	1.00	1.01	1.02
TM8X060A12MP11	CF30ABAA1	1.00	1.07	0.94
TM8X060A12MP11	CF30BBAA1	1.00	1.09	0.92
TM8X060A12MP11	CM24ABAA1	0.98	1.06	0.93
TM8X060A12MP11	CM24BBAA1	1.00	1.01	1.02
TM8X060A12MP11	CM30BBAA1	1.00	1.09	0.92
TM8X080B12MP11	CF/CM/CU24B	1.00	1.02	0.99
TM8X080B12MP11	CF/CM/CU24C	1.00	1.02	0.99
TM8X080B12MP11	CF/CM/CU30B	1.00	1.10	0.91
TM8X080B12MP11	CF/CM/CU30C	1.00	1.10	0.91
TM8X080B12MP11	CF24BBAA1	1.00	1.02	0.99
TM8X080B12MP11	CF30BBAA1	0.98	1.11	0.89
TM8X080B12MP11	CM24BBAA1	0.97	1.03	0.93
TM8X080B12MP11	CM30BBAA1	0.98	1.11	0.89
TM8X080C16MP11	CF/CM/CU30D	0.99	1.14	0.87
TM8X080C16MP11	CF/CM24C	0.98	1.07	0.91
TM8X080C16MP11	CF/CM30C	0.99	1.14	0.87
TM8X100C16MP11	CF/CM/CU30D	0.99	1.14	0.87
TM8X100C16MP11	CF/CM24C	0.98	1.07	0.91
TM8X100C16MP11	CF/CM30C	0.99	1.14	0.87
TM8X100C20MP11	CF/CM/CU30D	1.00	1.09	0.92
TM8X100C20MP11	CF/CM30C	1.00	1.09	0.92
TM8X120C20MP11	CF/CM/CU30D	1.00	1.09	0.92
TM8X120C20MP11	CF/CM30C	1.00	1.09	0.92
TM8Y060A12MP11	CF/CM/CU24A	1.00	0.99	1.03
TM8Y060A12MP11	CF/CM/CU24B	1.00	1.01	1.02
TM8Y060A12MP11	CF/CM/CU30A	1.00	1.07	0.94
TM8Y060A12MP11	CF/CM/CU30B	1.00	1.09	0.92
TM8Y060A12MP11	CF24ABAA1	1.00	0.99	1.03
TM8Y060A12MP11	CF24BBAA1	1.00	1.01	1.02
TM8Y060A12MP11	CF30ABAA1	1.00	1.07	0.94
TM8Y060A12MP11	CF30BBAA1	1.00	1.09	0.92
TM8Y060A12MP11	CM24ABAA1	0.98	1.06	0.93

FURNACE MULTIPLIERS - 2 TON (Continued)

Furnaces	Coil	MBH	COP	KW
TM8Y060A12MP11	CM24BBAA1	1.00	1.01	1.02
TM8Y060A12MP11	CM30BBAA1	1.00	1.09	0.92
TM8Y080B12MP11	CF/CM/CU24B	1.00	1.02	0.99
TM8Y080B12MP11	CF/CM/CU24C	1.00	1.02	0.99
TM8Y080B12MP11	CF/CM/CU30B	1.00	1.10	0.91
TM8Y080B12MP11	CF/CM/CU30C	1.00	1.10	0.91
TM8Y080B12MP11	CF24BBAA1	1.00	1.02	0.99
TM8Y080B12MP11	CF30BBAA1	0.98	1.11	0.89
TM8Y080B12MP11	CM24BBAA1	0.97	1.03	0.93
TM8Y080B12MP11	CM30BBAA1	0.98	1.11	0.89
TM8Y080C16MP11	CF/CM/CU30D	0.99	1.14	0.87
TM8Y080C16MP11	CF/CM24C	0.98	1.07	0.91
TM8Y080C16MP11	CF/CM30C	0.99	1.14	0.87
TM8Y100C16MP11	CF/CM/CU30D	0.99	1.14	0.87
TM8Y100C16MP11	CF/CM24C	0.98	1.07	0.91
TM8Y100C16MP11	CF/CM30C	0.99	1.14	0.87
TM8Y100C20MP11	CF/CM/CU30D	1.00	1.09	0.92
TM8Y100C20MP11	CF/CM30C	1.00	1.09	0.92
TM8Y120C20MP11	CF/CM/CU30D	1.00	1.09	0.92
TM8Y120C20MP11	CF/CM30C	1.00	1.09	0.92
TM9E040A10MP11	CF/CM/CU24A	1.00	0.99	1.04
TM9E040A10MP11	CF/CM/CU24B	1.00	1.01	1.02
TM9E040A10MP11	CF/CM/CU30A	1.00	1.06	0.96
TM9E040A10MP11	CF/CM/CU30B	1.00	1.08	0.93
TM9E040A10MP11	CF24ABAA1	1.00	0.99	1.04
TM9E040A10MP11	CF24BBAA1	1.00	1.01	1.02
TM9E040A10MP11	CF30ABAA1	1.00	1.06	0.96
TM9E040A10MP11	CF30BBAA1	1.00	1.08	0.93
TM9E040A10MP11	CM24ABAA1	0.98	1.01	0.97
TM9E040A10MP11	CM24BBAA1	1.00	1.01	1.02
TM9E040A10MP11	CM30BBAA1	1.00	1.08	0.93
TM9E040A10MP12	CF/CM/CU24A	1.00	1.06	0.95
TM9E040A10MP12	CF/CM/CU24B	1.00	1.08	0.93
TM9E040A10MP12	CF/CM/CU30A	1.00	0.99	1.01
TM9E040A10MP12	CF/CM/CU30B	1.00	1.09	0.92
TM9E040A10MP12	CF24ABAA1	1.00	1.06	0.95
TM9E040A10MP12	CF24BBAA1	1.00	1.08	0.93
TM9E040A10MP12	CF30ABAA1	1.00	0.99	1.01
TM9E040A10MP12	CF30BBAA1	1.00	1.09	0.92
TM9E040A10MP12	CM24ABAA1	1.00	1.06	0.95
TM9E040A10MP12	CM24BBAA1	1.00	1.08	0.93
TM9E040A10MP12	CM30BBAA1	1.00	1.09	0.92
TM9E060A10MP12	CF/CM/CU24A	1.00	1.13	0.89
TM9E060A10MP12	CF/CM/CU24B	1.00	1.10	0.91
TM9E060A10MP12	CF/CM/CU30A	1.00	1.02	0.98
TM9E060A10MP12	CF/CM/CU30B	1.00	1.10	0.91
TM9E060A10MP12	CF24ABAA1	1.00	1.13	0.89
TM9E060A10MP12	CF24BBAA1	1.00	1.10	0.91
TM9E060A10MP12	CF30ABAA1	1.00	1.02	0.98
TM9E060A10MP12	CF30BBAA1	1.00	1.10	0.91
TM9E060A10MP12	CM24ABAA1	1.00	1.13	0.89
TM9E060A10MP12	CM24BBAA1	1.00	1.10	0.91
TM9E060A10MP12	CM30BBAA1	1.00	1.10	0.91
TM9E060B12MP11	CF/CM/CU24B	0.98	1.05	0.93
TM9E060B12MP11	CF/CM/CU30B	0.99	1.11	0.89

FURNACE MULTIPLIERS - 2 TON (Continued)

Furnaces	Coil	MBH	COP	KW
TM9E060B12MP11	CF24BBAA1	0.98	1.05	0.93
TM9E060B12MP11	CF30BBAA1	0.99	1.11	0.89
TM9E060B12MP11	CM24BBAA1	0.98	1.05	0.93
TM9E060B12MP11	CM30BBAA1	0.99	1.11	0.89
TM9E060B12MP12	CF/CM/CU24B	1.00	1.12	0.89
TM9E060B12MP12	CF/CM/CU30B	0.99	1.06	0.94
TM9E060B12MP12	CF/CM24C	1.00	1.12	0.89
TM9E060B12MP12	CF/CM30C	0.99	1.06	0.94
TM9E060B12MP12	CF24BBAA1	1.00	1.12	0.89
TM9E060B12MP12	CF30BBAA1	0.99	1.06	0.94
TM9E060B12MP12	CM24BBAA1	1.00	1.12	0.89
TM9E060B12MP12	CM30BBAA1	0.99	1.06	0.94
TM9E080B12MP11	CF/CM/CU24B	1.00	1.03	0.99
TM9E080B12MP11	CF/CM/CU24C	1.00	1.03	0.99
TM9E080B12MP11	CF/CM/CU30B	1.00	1.11	0.90
TM9E080B12MP11	CF/CM/CU30C	1.00	1.11	0.90
TM9E080B12MP11	CF24BBAA1	1.00	1.03	0.99
TM9E080B12MP11	CF30BBAA1	0.99	1.11	0.89
TM9E080B12MP11	CM24BBAA1	0.98	1.05	0.93
TM9E080B12MP11	CM30BBAA1	0.99	1.11	0.89
TM9E080B12MP12	CF/CM/CU24B	1.00	1.10	0.91
TM9E080B12MP12	CF/CM/CU30B	1.00	1.10	0.91
TM9E080B12MP12	CF/CM24C	1.00	1.10	0.91
TM9E080B12MP12	CF/CM30C	1.00	1.05	0.95
TM9E080B12MP12	CF24BBAA1	1.00	1.10	0.91
TM9E080B12MP12	CF30BBAA1	1.00	1.10	0.91
TM9E080B12MP12	CM24BBAA1	1.00	1.10	0.91
TM9E080B12MP12	CM30BBAA1	1.00	1.10	0.91
TM9E080C16MP11	CF/CM24C	0.98	1.05	0.93
TM9E080C16MP11	CF/CM30C	0.99	1.13	0.88
TM9E080C16MP12	CF/CM24C	1.00	1.21	0.83
TM9E080C16MP12	CF/CM30C	1.00	1.14	0.87
TM9E100C16MP11	CF/CM/CU30D	1.00	1.09	0.92
TM9E100C16MP11	CF/CM24C	0.98	1.05	0.93
TM9E100C16MP11	CF/CM30C	0.99	1.13	0.88
TM9E100C16MP12	CF/CM24C	1.00	1.23	0.81
TM9E100C16MP12	CF/CM30C	1.00	1.17	0.85
TM9E100C20MP11	CF/CM/CU30D	1.00	1.10	0.91
TM9E100C20MP11	CF/CM24C	0.98	1.04	0.95
TM9E100C20MP11	CF/CM30C	1.00	1.10	0.91
TM9E120D20MP11	CF/CM/CU30D	1.00	1.11	0.90
TM9V040A10MP11C	CF/CM/CU24A	0.98	0.98	1.01
TM9V040A10MP11C	CF/CM/CU30A	1.00	1.05	0.95
TM9V060B12MP11C	CF/CM/CU24B	1.00	0.98	1.04
TM9V060B12MP11C	CF/CM/CU30B	1.00	1.06	0.94
TM9V060B12MP11C	CF24BBAA1	1.00	0.98	1.04
TM9V060B12MP11C	CF30BBAA1	1.00	1.06	0.94
TM9V060B12MP11C	CM24BBAA1	1.00	0.98	1.04
TM9V060B12MP11C	CM30BBAA1	1.00	1.06	0.94
TM9V060B12MP12C	CF/CM/CU24B	1.00	0.98	1.04
TM9V060B12MP12C	CF/CM/CU24C	1.00	1.00	1.02
TM9V060B12MP12C	CF/CM/CU30B	1.00	1.06	0.94
TM9V060B12MP12C	CF/CM/CU30C	1.00	1.09	0.92
TM9V060B12MP12C	CF24BBAA1	1.00	0.98	1.04
TM9V060B12MP12C	CF30BBAA1	1.00	1.06	0.94

FURNACE MULTIPLIERS - 2 TON (Continued)

Furnaces	Coil	MBH	COP	KW
TM9V060B12MP12C	CM24BBAA1	1.00	0.98	1.04
TM9V060B12MP12C	CM30BBAA1	1.00	1.06	0.94
TM9V080B12MP11C	CF/CM/CU24B	1.00	0.99	1.02
TM9V080B12MP11C	CF/CM/CU30B	1.00	1.07	0.93
TM9V080B12MP11C	CF24BBAA1	1.00	0.99	1.02
TM9V080B12MP11C	CF30BBAA1	1.00	1.07	0.93
TM9V080B12MP11C	CM24BBAA1	1.00	0.99	1.02
TM9V080B12MP11C	CM30BBAA1	1.00	1.07	0.93
TM9V080B12MP12C	CF/CM/CU24B	1.00	0.99	1.02
TM9V080B12MP12C	CF/CM/CU24C	1.00	1.02	0.99
TM9V080B12MP12C	CF/CM/CU30B	1.00	1.07	0.93
TM9V080B12MP12C	CF/CM/CU30C	1.00	1.10	0.91
TM9V080B12MP12C	CF24BBAA1	1.00	0.99	1.02
TM9V080B12MP12C	CF30BBAA1	1.00	1.07	0.93
TM9V080B12MP12C	CM24BBAA1	1.00	0.99	1.02
TM9V080B12MP12C	CM30BBAA1	1.00	1.07	0.93
TM9V080C16MP12C	CF/CM/CU30C	1.00	1.17	0.86
TM9V080C16MP12C	CF/CM/CU30D	1.00	1.17	0.85
TM9V100C16MP12C	CF/CM/CU24C	0.98	1.07	0.91
TM9V100C16MP12C	CF/CM/CU30C	1.00	1.17	0.85
TM9V100C16MP12C	CF/CM/CU30D	1.00	1.17	0.85
TM9Y040A10MP11	CF/CM/CU24A	1.00	0.99	1.04
TM9Y040A10MP11	CF/CM/CU24B	1.00	1.01	1.02
TM9Y040A10MP11	CF/CM/CU30A	1.00	1.06	0.96
TM9Y040A10MP11	CF/CM/CU30B	1.00	1.08	0.93
TM9Y040A10MP11	CF24ABAA1	1.00	0.99	1.04
TM9Y040A10MP11	CF24BBAA1	1.00	1.01	1.02
TM9Y040A10MP11	CF30ABAA1	1.00	1.06	0.96
TM9Y060B12MP11	CF/CM/CU24B	0.98	1.05	0.93
TM9Y060B12MP11	CF/CM/CU30B	0.99	1.11	0.89
TM9Y060B12MP11	CF24BBAA1	0.98	1.05	0.93
TM9Y060B12MP11	CF30BBAA1	0.99	1.11	0.89
TM9Y060B12MP11	CM24BBAA1	0.98	1.05	0.93
TM9Y060B12MP11	CM30BBAA1	0.99	1.11	0.89
TM9Y080B12MP11	CF/CM/CU24B	1.00	1.03	0.99
TM9Y080B12MP11	CF/CM/CU24C	1.00	1.03	0.99
TM9Y080B12MP11	CF/CM/CU30B	0.99	1.11	0.89
TM9Y080B12MP11	CF/CM/CU30C	1.00	1.11	0.90
TM9Y080B12MP11	CF24BBAA1	1.00	1.03	0.99
TM9Y080C16MP11	CF/CM24C	0.98	1.05	0.93
TM9Y080C16MP11	CF/CM30C	0.99	1.13	0.88
TM9Y100C16MP11	CF/CM/CU30D	1.00	1.09	0.92
TM9Y100C16MP11	CF/CM24C	0.98	1.05	0.93
TM9Y100C16MP11	CF/CM30C	0.99	1.13	0.88
TM9Y100C20MP11	CF/CM/CU30D	1.00	1.10	0.91
TM9Y100C20MP11	CF/CM24C	0.98	1.04	0.95
TM9Y100C20MP11	CF/CM30C	1.00	1.10	0.91
TM9Y120D20MP11	CF/CM/CU30D	1.00	1.11	0.90
TMLE040A12MP11	CF/CM/CU24A	1.00	1.06	0.95
TMLE040A12MP11	CF/CM/CU24B	1.00	1.05	0.95
TMLE040A12MP11	CF/CM/CU30A	1.00	1.09	0.92
TMLE040A12MP11	CF/CM/CU30B	1.00	1.12	0.89
TMLE040A12MP11	CF24ABAA1	1.00	1.06	0.95
TMLE040A12MP11	CF24BBAA1	1.00	1.05	0.95
TMLE040A12MP11	CF30ABAA1	1.00	1.09	0.92

FURNACE MULTIPLIERS - 2 TON (Continued)

Furnaces	Coil	MBH	COP	KW
TMLE040A12MP11	CF30BBAA1	1.00	1.12	0.89
TMLE040A12MP11	CM24ABAA1	1.00	1.06	0.95
TMLE040A12MP11	CM24BBAA1	1.00	1.05	0.95
TMLE040A12MP11	CM30BBAA1	1.00	1.12	0.89
TMLE060A12MP11	CF/CM/CU24A	1.00	1.08	0.93
TMLE060A12MP11	CF/CM/CU24B	1.00	1.07	0.93
TMLE060A12MP11	CF/CM/CU30A	1.00	1.09	0.92
TMLE060A12MP11	CF/CM/CU30B	1.00	1.10	0.91
TMLE060A12MP11	CF24ABAA1	1.00	1.08	0.93
TMLE060A12MP11	CF24BBAA1	1.00	1.07	0.93
TMLE060A12MP11	CF30ABAA1	1.00	1.09	0.92
TMLE060A12MP11	CF30BBAA1	1.00	1.10	0.91
TMLE060A12MP11	CM24ABAA1	1.00	1.08	0.93
TMLE060A12MP11	CM24BBAA1	1.00	1.07	0.93
TMLE060A12MP11	CM30BBAA1	1.00	1.10	0.91
TMLE080B12MP11	CF/CM/CU24B	1.00	1.06	0.94
TMLE080B12MP11	CF/CM/CU30B	1.00	1.08	0.93
TMLE080B12MP11	CF/CM24C	1.00	1.16	0.86
TMLE080B12MP11	CF/CM30C	1.00	1.10	0.91
TMLE080B12MP11	CF24BBAA1	1.00	1.06	0.94
TMLE080B12MP11	CF30BBAA1	1.00	1.08	0.93
TMLE080B12MP11	CM24BBAA1	1.00	1.06	0.94
TMLE080B12MP11	CM30BBAA1	1.00	1.08	0.93
TMLE080C16MP11	CF/CM24C	1.00	1.18	0.85
TMLE080C16MP11	CF/CM30C	1.00	1.11	0.90
TMLE100B12MP11	CF/CM/CU24B	1.00	1.12	0.89
TMLE100B12MP11	CF/CM/CU30B	1.00	1.10	0.91
TMLE100B12MP11	CF/CM24C	1.00	1.13	0.89
TMLE100B12MP11	CF/CM30C	1.00	1.10	0.91
TMLE100B12MP11	CF24BBAA1	1.00	1.12	0.89
TMLE100B12MP11	CF30BBAA1	1.00	1.10	0.91
TMLE100B12MP11	CM24BBAA1	1.00	1.12	0.89
TMLE100B12MP11	CM30BBAA1	1.00	1.10	0.91
TMLE100C16MP11	CF/CM24C	1.00	1.17	0.86
TMLE100C16MP11	CF/CM30C	1.00	1.17	0.85
TMLE120C16MP11	CF/CM24C	1.00	1.17	0.86
TMLE120C16MP11	CF/CM30C	1.00	1.10	0.91
TMLV060A12MP11C	CF/CM/CU24A	1.00	0.99	1.03
TMLV060A12MP11C	CF/CM/CU24B	1.00	0.99	1.02
TMLV060A12MP11C	CF/CM/CU30A	1.00	1.07	0.93
TMLV060A12MP11C	CF/CM/CU30B	1.00	1.08	0.93
TMLV060A12MP11C	CF24ABAA1	1.00	0.99	1.03
TMLV060A12MP11C	CF24BBAA1	1.00	0.99	1.02
TMLV060A12MP11C	CF30ABAA1	1.00	1.07	0.93
TMLV060A12MP11C	CF30BBAA1	1.00	1.08	0.93
TMLV060A12MP11C	CM24ABAA1	1.00	0.99	1.03
TMLV060A12MP11C	CM24BBAA1	1.00	0.99	1.02
TMLV060A12MP11C	CM30BBAA1	1.00	1.08	0.93
TMLV060A12MP12C	CF/CM/CU24A	1.00	0.99	1.03
TMLV060A12MP12C	CF/CM/CU24B	1.00	0.99	1.02
TMLV060A12MP12C	CF/CM/CU30A	1.00	1.07	0.93
TMLV060A12MP12C	CF/CM/CU30B	1.00	1.08	0.93
TMLV060A12MP12C	CF24ABAA1	1.00	0.99	1.03
TMLV060A12MP12C	CF24BBAA1	1.00	0.99	1.02
TMLV060A12MP12C	CF30ABAA1	1.00	1.07	0.93

FURNACE MULTIPLIERS - 2 TON (Continued)

Furnaces	Coil	MBH	COP	KW
TMLV060A12MP12C	CF30BBAA1	1.00	1.08	0.93
TMLV060A12MP12C	CM24ABAA1	1.00	0.99	1.03
TMLV060A12MP12C	CM24BBAA1	1.00	0.99	1.02
TMLV060A12MP12C	CM30BBAA1	1.00	1.08	0.93
TMLV080B12MP11C	CF/CM/CU24B	1.00	0.99	1.03
TMLV080B12MP11C	CF/CM/CU30B	1.00	1.07	0.93
TMLV080B12MP11C	CF24BBAA1	1.00	0.99	1.03
TMLV080B12MP11C	CF30BBAA1	1.00	1.07	0.93
TMLV080B12MP11C	CM24BBAA1	1.00	0.99	1.03
TMLV080B12MP11C	CM30BBAA1	1.00	1.07	0.93
TMLV080B12MP12C	CF/CM/CU24B	1.00	0.99	1.03
TMLV080B12MP12C	CF/CM/CU24C	1.00	1.02	1.00
TMLV080B12MP12C	CF/CM/CU30B	1.00	1.07	0.93
TMLV080B12MP12C	CF/CM/CU30C	1.00	1.07	0.93
TMLV080B12MP12C	CF24BBAA1	1.00	0.99	1.03
TMLV080B12MP12C	CF30BBAA1	1.00	1.07	0.93
TMLV080B12MP12C	CM24BBAA1	1.00	0.99	1.03
TMLV080B12MP12C	CM30BBAA1	1.00	1.07	0.93
TMLV080C16MP12C	CF/CM/CU24C	1.00	1.09	0.94
TMLV080C16MP12C	CF/CM/CU30C	1.00	1.17	0.86
TMLV080C16MP12C	CF/CM/CU30D	1.00	1.17	0.86
TMLV100C16MP12C	CF/CM/CU24C	1.00	1.09	0.94
TMLV100C16MP12C	CF/CM/CU30C	1.00	1.17	0.86
TMLV100C16MP12C	CF/CM/CU30D	1.00	1.17	0.86
TMLX060A12MP11	CF/CM/CU24A	1.00	0.99	1.03
TMLX060A12MP11	CF/CM/CU24B	1.00	1.01	1.02
TMLX060A12MP11	CF/CM/CU30A	1.00	1.07	0.94
TMLX060A12MP11	CF/CM/CU30B	1.00	1.09	0.92
TMLX060A12MP11	CF24ABAA1	1.00	0.99	1.03
TMLX060A12MP11	CF24BBAA1	1.00	1.01	1.02
TMLX060A12MP11	CF30ABAA1	1.00	1.07	0.94
TMLX060A12MP11	CF30BBAA1	1.00	1.09	0.92
TMLX060A12MP11	CM24ABAA1	0.98	1.06	0.93
TMLX060A12MP11	CM24BBAA1	1.00	1.01	1.02
TMLX060A12MP11	CM30BBAA1	1.00	1.09	0.92
TMLX080B12MP11	CF/CM/CU24B	1.00	1.02	0.99
TMLX080B12MP11	CF/CM/CU24C	1.00	1.02	0.99
TMLX080B12MP11	CF/CM/CU30B	1.00	1.10	0.91
TMLX080B12MP11	CF/CM/CU30C	1.00	1.10	0.91
TMLX080B12MP11	CF24BBAA1	1.00	1.02	0.99
TMLX080B12MP11	CF30BBAA1	0.98	1.11	0.89
TMLX080B12MP11	CM24BBAA1	0.97	1.03	0.93
TMLX080B12MP11	CM30BBAA1	0.98	1.11	0.89
TMLX080C16MP11	CF/CM/CU30D	0.99	1.14	0.87
TMLX080C16MP11	CF/CM24C	0.98	1.07	0.91
TMLX080C16MP11	CF/CM30C	0.99	1.14	0.87
TMLX100C16MP11	CF/CM/CU30D	0.99	1.14	0.87
TMLX100C16MP11	CF/CM24C	0.98	1.07	0.91
TMLX100C16MP11	CF/CM30C	0.99	1.14	0.87
TMLX100C20MP11	CF/CM/CU30D	1.00	1.09	0.92
TMLX100C20MP11	CF/CM30C	1.00	1.09	0.92
TMLX120C20MP11	CF/CM/CU30D	1.00	1.09	0.92
TMLX120C20MP11	CF/CM30C	1.00	1.09	0.92
TP9C060B12MP12C	CF/CM/CU24B	0.98	1.07	0.91
TP9C060B12MP12C	CF/CM/CU30B	0.98	1.06	0.93

FURNACE MULTIPLIERS - 2 TON (Continued)

Furnaces	Coil	MBH	COP	KW
TP9C060B12MP13C	CF/CM/CU24B	1.00	0.98	1.04
TP9C060B12MP13C	CF/CM/CU24C	1.00	1.00	1.02
TP9C060B12MP13C	CF/CM/CU30B	1.00	1.06	0.94
TP9C060B12MP13C	CF/CM/CU30C	1.00	1.09	0.92
TP9C060B12MP13C	CF24BBAA1	1.00	0.98	1.04
TP9C060B12MP13C	CF30BBAA1	1.00	1.06	0.94
TP9C060B12MP13C	CM24BBAA1	1.00	0.98	1.04
TP9C060B12MP13C	CM30BBAA1	1.00	1.06	0.94
TP9C080B12MP12C	CF/CM/CU24B	1.00	0.99	1.02
TP9C080B12MP12C	CF/CM/CU30B	1.00	1.07	0.93
TP9C080B12MP12C	CF24BBAA1	1.00	0.99	1.02
TP9C080B12MP12C	CF30BBAA1	1.00	1.07	0.93
TP9C080B12MP12C	CM24BBAA1	1.00	0.99	1.02
TP9C080B12MP12C	CM30BBAA1	1.00	1.07	0.93
TP9C080B12MP13C	CF/CM/CU24B	1.00	0.99	1.02
TP9C080B12MP13C	CF/CM/CU24C	1.00	1.02	0.99
TP9C080B12MP13C	CF/CM/CU30B	1.00	1.07	0.93
TP9C080B12MP13C	CF/CM/CU30C	1.00	1.10	0.91
TP9C080B12MP13C	CF24BBAA1	1.00	0.99	1.02
TP9C080B12MP13C	CF30BBAA1	1.00	1.07	0.93
TP9C080B12MP13C	CM24BBAA1	1.00	0.99	1.02
TP9C080B12MP13C	CM30BBAA1	1.00	1.07	0.93
TP9C080C16MP13C	CF/CM/CU30C	1.00	1.17	0.86
TP9C080C16MP13C	CF/CM/CU30D	1.00	1.17	0.85
TP9C100C16MP13C	CF/CM/CU24C	0.98	1.07	0.91
TP9C100C16MP13C	CF/CM/CU30C	1.00	1.17	0.85
TP9C100C16MP13C	CF/CM/CU30D	1.00	1.17	0.85
TPLC060A12MP12C	CF/CM/CU24A	1.00	0.99	1.03
TPLC060A12MP12C	CF/CM/CU24B	1.00	0.99	1.02
TPLC060A12MP12C	CF/CM/CU30A	1.00	1.07	0.93
TPLC060A12MP12C	CF/CM/CU30B	1.00	1.08	0.93
TPLC060A12MP12C	CF24ABAA1	1.00	0.99	1.03
TPLC060A12MP12C	CF24BBAA1	1.00	0.99	1.02
TPLC060A12MP12C	CF30ABAA1	1.00	1.07	0.93
TPLC060A12MP12C	CF30BBAA1	1.00	1.08	0.93
TPLC060A12MP12C	CM24ABAA1	1.00	0.99	1.03
TPLC060A12MP12C	CM24BBAA1	1.00	0.99	1.02
TPLC060A12MP12C	CM30BBAA1	1.00	1.08	0.93
TPLC060A12MP13C	CF/CM/CU24A	1.00	0.99	1.03
TPLC060A12MP13C	CF/CM/CU24B	1.00	0.99	1.02
TPLC060A12MP13C	CF/CM/CU30A	1.00	1.07	0.93
TPLC060A12MP13C	CF/CM/CU30B	1.00	1.08	0.93
TPLC060A12MP13C	CF24ABAA1	1.00	0.99	1.03
TPLC060A12MP13C	CF24BBAA1	1.00	0.99	1.02
TPLC060A12MP13C	CF30ABAA1	1.00	1.07	0.93
TPLC060A12MP13C	CF30BBAA1	1.00	1.08	0.93
TPLC060A12MP13C	CM24ABAA1	1.00	0.99	1.03
TPLC060A12MP13C	CM24BBAA1	1.00	0.99	1.02
TPLC060A12MP13C	CM30BBAA1	1.00	1.08	0.93
TPLC080B12MP12C	CF/CM/CU24B	1.00	0.99	1.03
TPLC080B12MP12C	CF/CM/CU30B	1.00	1.07	0.93
TPLC080B12MP12C	CF24BBAA1	1.00	0.99	1.03
TPLC080B12MP12C	CF30BBAA1	1.00	1.07	0.93
TPLC080B12MP12C	CM24BBAA1	1.00	0.99	1.03
TPLC080B12MP12C	CM30BBAA1	1.00	1.07	0.93

FURNACE MULTIPLIERS - 2 TON (Continued)

Furnaces	Coil	MBH	COP	KW
TPLC080B12MP13C	CF/CM/CU24B	1.00	0.99	1.03
TPLC080B12MP13C	CF/CM/CU24C	1.00	1.02	1.00
TPLC080B12MP13C	CF/CM/CU30B	1.00	1.07	0.93
TPLC080B12MP13C	CF/CM/CU30C	1.00	1.07	0.93
TPLC080B12MP13C	CF24BBAA1	1.00	0.99	1.03
TPLC080B12MP13C	CF30BBAA1	1.00	1.07	0.93
TPLC080B12MP13C	CM24BBAA1	1.00	0.99	1.03
TPLC080B12MP13C	CM30BBAA1	1.00	1.07	0.93
TPLC080C16MP13C	CF/CM/CU24C	1.00	1.09	0.94
TPLC080C16MP13C	CF/CM/CU30C	1.00	1.17	0.86
TPLC080C16MP13C	CF/CM/CU30D	1.00	1.17	0.86
TPLC100C16MP13C	CF/CM/CU24C	1.00	1.09	0.94
TPLC100C16MP13C	CF/CM/CU30C	1.00	1.17	0.86
TPLC100C16MP13C	CF/CM/CU30D	1.00	1.17	0.86
YP9C060B12MP12C	CF/CM/CU24B	0.98	1.07	0.91
YP9C060B12MP12C	CF/CM/CU30B	0.98	1.06	0.93
YP9C060B12MP13C	CF/CM/CU24B	1.00	0.98	1.04
YP9C060B12MP13C	CF/CM/CU24C	1.00	1.00	1.02
YP9C060B12MP13C	CF/CM/CU30B	1.00	1.06	0.94
YP9C060B12MP13C	CF/CM/CU30C	1.00	1.09	0.92
YP9C060B12MP13C	CF24BBAA1	1.00	0.98	1.04
YP9C060B12MP13C	CF30BBAA1	1.00	1.06	0.94
YP9C060B12MP13C	CM24BBAA1	1.00	0.98	1.04
YP9C060B12MP13C	CM30BBAA1	1.00	1.06	0.94
YP9C080B12MP12C	CF/CM/CU24B	1.00	0.99	1.02
YP9C080B12MP12C	CF/CM/CU30B	1.00	1.07	0.93
YP9C080B12MP12C	CF24BBAA1	1.00	0.99	1.02
YP9C080B12MP12C	CF30BBAA1	1.00	1.07	0.93
YP9C080B12MP12C	CM24BBAA1	1.00	0.99	1.02
YP9C080B12MP12C	CM30BBAA1	1.00	1.07	0.93
YP9C080B12MP13C	CF/CM/CU24B	1.00	0.99	1.02
YP9C080B12MP13C	CF/CM/CU24C	1.00	1.02	0.99
YP9C080B12MP13C	CF/CM/CU30B	1.00	1.07	0.93
YP9C080B12MP13C	CF/CM/CU30C	1.00	1.10	0.91
YP9C080B12MP13C	CF24BBAA1	1.00	0.99	1.02
YP9C080B12MP13C	CF30BBAA1	1.00	1.07	0.93
YP9C080B12MP13C	CM24BBAA1	1.00	0.99	1.02
YP9C080B12MP13C	CM30BBAA1	1.00	1.07	0.93
YP9C080C16MP13C	CF/CM/CU30C	1.00	1.17	0.86
YP9C080C16MP13C	CF/CM/CU30D	1.00	1.17	0.85
YP9C100C16MP13C	CF/CM/CU24C	0.98	1.07	0.91
YP9C100C16MP13C	CF/CM/CU30C	1.00	1.17	0.85
YP9C100C16MP13C	CF/CM/CU30D	1.00	1.17	0.85
YPLC060A12MP12C	CF/CM/CU24A	1.00	0.99	1.03
YPLC060A12MP12C	CF/CM/CU24B	1.00	0.99	1.02
YPLC060A12MP12C	CF/CM/CU30A	1.00	1.07	0.93
YPLC060A12MP12C	CF/CM/CU30B	1.00	1.08	0.93
YPLC060A12MP12C	CF24ABAA1	1.00	0.99	1.03
YPLC060A12MP12C	CF24BBAA1	1.00	0.99	1.02
YPLC060A12MP12C	CF30ABAA1	1.00	1.07	0.93
YPLC060A12MP12C	CF30BBAA1	1.00	1.08	0.93
YPLC060A12MP12C	CM24ABAA1	1.00	0.99	1.03
YPLC060A12MP12C	CM24BBAA1	1.00	0.99	1.02
YPLC060A12MP12C	CM30BBAA1	1.00	1.08	0.93
YPLC060A12MP13C	CF/CM/CU24A	1.00	0.99	1.03

FURNACE MULTIPLIERS - 2 TON (Continued)

Furnaces	Coil	MBH	COP	KW
YPLC060A12MP13C	CF/CM/CU24B	1.00	0.99	1.02
YPLC060A12MP13C	CF/CM/CU30A	1.00	1.07	0.93
YPLC060A12MP13C	CF/CM/CU30B	1.00	1.08	0.93
YPLC060A12MP13C	CF24ABAA1	1.00	0.99	1.03
YPLC060A12MP13C	CF24BBAA1	1.00	0.99	1.02
YPLC060A12MP13C	CF30ABAA1	1.00	1.07	0.93
YPLC060A12MP13C	CF30BBAA1	1.00	1.08	0.93
YPLC060A12MP13C	CM24ABAA1	1.00	0.99	1.03
YPLC060A12MP13C	CM24BBAA1	1.00	0.99	1.02
YPLC060A12MP13C	CM30BBAA1	1.00	1.08	0.93
YPLC080B12MP12C	CF/CM/CU24B	1.00	0.99	1.03
YPLC080B12MP12C	CF/CM/CU30B	1.00	1.07	0.93
YPLC080B12MP12C	CF24BBAA1	1.00	0.99	1.03
YPLC080B12MP12C	CF30BBAA1	1.00	1.07	0.93
YPLC080B12MP12C	CM24BBAA1	1.00	0.99	1.03
YPLC080B12MP12C	CM30BBAA1	1.00	1.07	0.93

FURNACE MULTIPLIERS - 2 TON (Continued)

Furnaces	Coil	MBH	COP	KW
YPLC080B12MP13C	CF/CM/CU24B	1.00	0.99	1.03
YPLC080B12MP13C	CF/CM/CU24C	1.00	1.02	1.00
YPLC080B12MP13C	CF/CM/CU30B	1.00	1.07	0.93
YPLC080B12MP13C	CF/CM/CU30C	1.00	1.07	0.93
YPLC080B12MP13C	CF24BBAA1	1.00	0.99	1.03
YPLC080B12MP13C	CF30BBAA1	1.00	1.07	0.93
YPLC080B12MP13C	CM24BBAA1	1.00	0.99	1.03
YPLC080B12MP13C	CM30BBAA1	1.00	1.07	0.93
YPLC080C16MP13C	CF/CM/CU24C	1.00	1.09	0.94
YPLC080C16MP13C	CF/CM/CU30C	1.00	1.17	0.86
YPLC080C16MP13C	CF/CM/CU30D	1.00	1.17	0.86
YPLC100C16MP13C	CF/CM/CU24C	1.00	1.09	0.94
YPLC100C16MP13C	CF/CM/CU30C	1.00	1.17	0.86
YPLC100C16MP13C	CF/CM/CU30D	1.00	1.17	0.86

PERFORMANCE DATA - 2.5 TON

CONDENSER-ONLY DATA (OUTDOOR UNIT)																
MODEL	SATURATED SUCTION @ COMPRESSOR		Outdoor Ambient Temperature													
			65 °F		75 °F		85 °F		95 °F		105 °F		115 °F		125 °F	
	T (°F)	P (PSIG)	MBH	KW	MBH	KW	MBH	KW	MBH	KW	MBH	KW	MBH	KW	MBH	KW
YHE30B21S	35	107	26.6	1.45	24.8	1.62	23.0	1.79	21.2	1.95	19.4	2.12	17.6	2.29	15.8	2.46
	40	119	30.0	1.43	28.0	1.61	26.0	1.80	23.9	1.98	21.9	2.16	19.9	2.35	17.9	2.53
	45	130	33.4	1.41	31.1	1.61	28.9	1.81	26.7	2.01	24.5	2.20	22.2	2.40	20.0	2.60
	50	143	36.7	1.39	34.3	1.60	31.9	1.82	29.4	2.03	27.0	2.25	24.5	2.46	22.1	2.67
	55	156	40.1	1.37	37.5	1.60	34.8	1.83	32.2	2.06	29.5	2.29	26.9	2.52	24.2	2.74

Notes:

1. For Outdoor Unit (Condenser) performance only. Data does not include the effects of air handler power or heat.
2. Performance based on 15°F subcooling and 15°F superheat at the Outdoor Unit base valves.
 - a. Increase capacity by 1% for each 2°F increase in subcooling.
 - b. Decrease capacity by 1% for each 2°F decrease in subcooling.
3. Maximum recommended condensing temperature is 140°F.

COOLING PERFORMANCE DATA																
AIR CONDITIONER MODEL NO.		YHE30B21S														
AIR TEMP. ENTERING OUTDOOR UNIT (°F)	IDCFM	800					1000					1200				
	ID DB (°F)	80	80	75	80	80	80	80	75	80	80	80	80	75	80	80
	ID WB (°F)	57	62	62	67	72	57	62	62	67	72	57	62	62	67	72
65	T.C.	27.2	29.1	29.5	31.1	32.4	28.4	29.5	29.7	31.3	32.2	29.7	29.9	29.9	31.4	32.1
	S.C.	27.0	24.3	21.0	19.8	15.4	28.2	26.0	22.4	21.0	15.9	29.5	27.8	23.7	22.2	16.5
	KW	1.75	1.76	1.77	1.77	1.77	1.83	1.84	1.84	1.84	1.85	1.90	1.91	1.91	1.92	1.92
75	T.C.	26.9	28.3	28.8	31.6	34.0	28.5	29.2	29.4	32.1	34.0	30.0	30.0	29.9	32.6	34.0
	S.C.	26.6	24.3	20.9	20.7	16.3	28.2	26.9	23.0	22.7	17.3	29.8	29.5	25.0	24.6	18.2
	KW	1.91	1.93	1.93	1.93	1.92	1.98	2.00	2.00	2.00	2.00	2.06	2.07	2.07	2.08	2.08
85	T.C.	25.7	27.0	27.2	30.1	32.9	27.2	27.8	27.8	30.6	33.1	28.7	28.6	28.4	31.0	33.4
	S.C.	25.5	23.5	20.0	20.1	15.9	27.0	25.9	22.1	22.1	17.1	28.6	28.4	24.2	24.1	18.2
	KW	2.12	2.14	2.13	2.13	2.12	2.19	2.21	2.21	2.21	2.20	2.26	2.27	2.28	2.28	2.27
95	T.C.	24.5	25.7	25.6	28.6	31.7	26.0	26.5	26.3	29.0	32.3	27.4	27.2	26.9	29.4	32.8
	S.C.	24.3	22.7	19.1	19.5	15.5	25.8	25.0	21.2	21.5	16.9	27.3	27.2	23.3	23.5	18.2
	KW	2.34	2.35	2.34	2.34	2.33	2.40	2.42	2.41	2.41	2.40	2.47	2.48	2.49	2.48	2.47
105	T.C.	23.2	24.1	24.0	26.8	29.7	24.5	24.9	24.5	27.2	30.1	25.8	25.7	25.1	27.5	30.6
	S.C.	23.0	21.9	18.2	18.8	14.8	24.4	23.8	20.3	20.8	16.1	25.7	25.7	22.3	22.8	17.4
	KW	2.65	2.66	2.65	2.65	2.63	2.71	2.72	2.72	2.72	2.70	2.77	2.78	2.79	2.79	2.77
115	T.C.	21.9	22.6	22.4	25.1	27.7	23.1	23.4	22.9	25.4	28.1	24.3	24.2	23.3	25.7	28.4
	S.C.	21.7	21.0	17.4	18.0	14.1	23.0	22.6	19.4	20.1	15.4	24.2	24.2	21.4	22.2	16.7
	KW	2.95	2.95	2.95	2.95	2.93	3.01	3.02	3.02	3.01	2.99	3.07	3.08	3.09	3.08	3.06
125	T.C.	20.6	21.1	20.8	23.4	25.8	21.7	21.9	21.2	23.7	26.1	22.8	22.7	21.6	23.9	26.3
	S.C.	20.4	20.2	16.5	17.3	13.4	21.6	21.5	18.5	19.4	14.7	22.7	22.7	20.5	21.5	15.9
	KW	3.24	3.25	3.25	3.24	3.22	3.31	3.31	3.32	3.31	3.29	3.37	3.37	3.38	3.38	3.35

NOTE: ALL CAPACITIES INCLUDE INDOOR FAN HEAT. KW VALUES ARE FOR THE SYSTEM (OUTDOOR + INDOOR).

Green shaded cells are ACCA (TVA) conditions.

Blue shaded cells are AHRI conditions.

Multipliers for determining the performance with other indoor sections.

NOTE: For dry bulb temperatures different than those listed (between 73-87 °F), sensible capacity increases by 1060 BTUH per 1000 CFM per degree above the listed temperature and decreases by 1060 BTUH per 1000 CFM per degree below the listed temperature.

COIL MULTIPLIERS - 2.5 TON

Air Handler	Coil	T.C.	S.C.	KW
–	CF/CM/CU30B	1.01	1.09	1.03
–	CF/CM/CU30C	1.01	1.09	1.03
–	CF/CM/CU30D	1.01	1.09	1.03
–	CF/CM/CU36B	1.03	1.10	1.03
–	CF/CM/CU36C	1.03	1.10	1.03
–	CF/CM/CU36D	1.03	1.10	1.03
–	CF/CM/CU42C	1.01	1.01	1.01
–	CF/CM30C	1.01	1.09	1.03
–	CF/CM36A	1.03	1.10	1.03
–	CF/CM36D	1.03	1.10	1.03
–	CF/CM42D	1.01	1.01	1.01
–	CF30BBBA1	1.01	1.09	1.03
–	CM30BBBA1	1.01	1.09	1.03
AE30BBB21	–	1.02	1.05	0.94
AE30BX21	–	1.02	1.05	0.94
AE36BBE21	–	1.02	1.02	0.92
AE36BX21	–	1.04	1.11	0.96
AE36CBE21	–	1.03	1.01	0.96
AE36CX21	–	1.02	1.03	0.94
AE42CX21	–	1.03	1.04	0.91
AP30BBB21	–	1.00	1.00	1.00
AP30BX21	–	1.00	1.00	1.00
AP36BX21	–	1.00	1.00	1.00
AVC30BX21	–	1.01	1.00	0.93
AVC36BX21	–	1.04	1.11	0.96
AVC36CX21	–	1.03	1.02	0.91
AVC42CX21	–	1.01	1.02	0.94
ME12BN21	CF/CM30B	1.01	1.02	0.94
ME12BN21	CF/CM36B	1.03	1.03	0.95
ME12BN21	CF30BBBA1	1.01	1.02	0.94
ME12BN21	CF42B	1.03	1.03	0.95
ME12BN21	CM30BBBA1	1.01	1.02	0.94
ME12CN21	CF/CM30C	1.01	1.00	0.93
ME14DN21	CF/CM30D	1.01	1.00	0.93
ME14DN21	CF/CM36D	1.03	1.01	0.96
ME14DN21	CF/CM42D	1.03	1.04	0.96
ME16CN21	CF/CM30C	1.02	1.05	0.94
ME16CN21	CF/CM36C	1.04	1.06	0.96
ME16CN21	CF/CM42C	1.02	1.02	0.98
MVC08BN21	CF42B	1.02	1.03	0.96
MVC12BN21	CF/CM30B	1.01	1.03	0.94
MVC12BN21	CF/CM36B	1.01	1.02	0.97
MVC12BN21	CF30BBBA1	1.01	1.03	0.94
MVC12BN21	CF42B	1.03	1.03	0.97
MVC12BN21	CM30BBBA1	1.01	1.03	0.94
MVC12CN21	CF/CM30C	1.01	1.03	0.94
MVC12CN21	CF/CM36C	1.04	1.05	0.96
MVC14DN21	CF/CM30D	1.02	1.04	0.94
MVC14DN21	CF/CM36D	1.02	1.01	0.94
MVC14DN21	CF/CM42D	1.03	1.04	0.96
MVC16CN21	CF/CM30C	1.03	1.07	0.95
MVC16CN21	CF/CM36C	1.02	1.04	0.94
MVC16CN21	CF/CM42C	1.03	1.00	0.96

FURNACE MULTIPLIERS - 2.5 TON

Furnaces	Coil	T.C.	S.C.	KW
TL8E060A12UH11	CF/CM/CU30B	1.02	0.98	0.94
TL8E060A12UH11	CF/CM/CU36B	1.02	0.98	0.94
TL8E060A12UH11	CF30BBBA1	1.02	0.98	0.94
TL8E060A12UH11	CF42B	1.02	0.98	0.94
TL8E060A12UH11	CM30BBBA1	1.02	0.98	0.94
TL8E080C16UH11	CF/CM/CU36C	1.03	1.02	0.95
TL8E080C16UH11	CF/CM/CU42C	1.03	1.03	0.96
TL8E080C16UH11	CF/CM30C	1.03	1.01	0.95
TL8E100C20UH11	CF/CM/CU36C	1.03	1.07	0.96
TL8E100C20UH11	CF/CM/CU42C	1.04	1.08	0.96
TL8E100C20UH11	CF/CM30C	1.03	1.07	0.96
TL9E060B12UH11	CF/CM/CU30B	1.01	0.97	0.94
TL9E060B12UH11	CF/CM/CU36B	1.01	0.97	0.94
TL9E060B12UH11	CF/CM/CU36C	1.02	0.99	0.94
TL9E060B12UH11	CF/CM/CU42C	1.02	0.99	0.94
TL9E060B12UH11	CF/CM30C	1.01	0.97	0.94
TL9E060B12UH11	CF30BBBA1	1.01	0.97	0.94
TL9E060B12UH11	CF42B	1.02	0.98	0.94
TL9E060B12UH11	CM30BBBA1	1.01	0.97	0.94
TL9E080C16UH11	CF/CM/CU36C	1.02	1.00	0.94
TL9E080C16UH11	CF/CM/CU42C	1.03	1.00	0.95
TL9E080C16UH11	CF/CM30C	1.02	1.00	0.94
TL9E100C20UH11	CF/CM/CU36C	1.03	1.10	0.96
TL9E100C20UH11	CF/CM/CU42C	1.04	1.11	0.96
TL9E100C20UH11	CF/CM30C	1.03	1.10	0.96
TM8E040A12MP11	CF/CM/CU30A	1.01	0.95	0.94
TM8E040A12MP11	CF/CM/CU30B	1.02	0.99	0.94
TM8E040A12MP11	CF/CM/CU36B	1.02	0.99	0.94
TM8E040A12MP11	CF/CM36A	1.01	0.96	0.94
TM8E040A12MP11	CF30BBBA1	1.02	0.99	0.94
TM8E040A12MP11	CF42B	1.03	0.99	0.95
TM8E040A12MP11	CM30ABBA1	1.01	0.95	0.94
TM8E040A12MP11	CM30BBBA1	1.02	0.99	0.94
TM8E060A12MP11	CF/CM/CU30A	1.01	0.96	0.94
TM8E060A12MP11	CF/CM/CU30B	1.02	0.99	0.94
TM8E060A12MP11	CF/CM/CU36B	1.02	0.99	0.94
TM8E060A12MP11	CF/CM36A	1.01	0.96	0.94
TM8E060A12MP11	CF30BBBA1	1.02	0.99	0.94
TM8E060A12MP11	CF42B	1.02	0.98	0.94
TM8E060A12MP11	CM30ABBA1	1.01	0.96	0.94
TM8E060A12MP11	CM30BBBA1	1.02	0.99	0.94
TM8E080B12MP11	CF/CM/CU30B	1.02	1.00	0.94
TM8E080B12MP11	CF/CM/CU36B	1.02	0.99	0.94
TM8E080B12MP11	CF/CM/CU36C	1.02	1.00	0.94
TM8E080B12MP11	CF/CM/CU42C	1.03	1.00	0.95
TM8E080B12MP11	CF/CM30C	1.02	1.00	0.94
TM8E080B12MP11	CF30BBBA1	1.02	1.00	0.94
TM8E080B12MP11	CF42B	1.03	1.00	0.95
TM8E080B12MP11	CM30BBBA1	1.02	1.00	0.94
TM8E080C16MP11	CF/CM/CU36C	1.03	1.02	0.95
TM8E080C16MP11	CF/CM/CU42C	1.03	1.03	0.96
TM8E080C16MP11	CF/CM30C	1.03	1.02	0.95
TM8E100B12MP11	CF/CM/CU30B	1.02	1.00	0.94
TM8E100B12MP11	CF/CM/CU36B	1.02	1.00	0.94
TM8E100B12MP11	CF/CM/CU36C	1.02	1.00	0.94

FURNACE MULTIPLIERS - 2.5 TON (Continued)

Furnaces	Coil	T.C.	S.C.	KW
TM8E100B12MP11	CF/CM/CU42C	1.03	1.01	0.95
TM8E100B12MP11	CF/CM30C	1.02	1.00	0.94
TM8E100B12MP11	CF30BBBA1	1.02	1.00	0.94
TM8E100B12MP11	CF42B	1.03	1.00	0.95
TM8E100B12MP11	CM30BBBA1	1.02	1.00	0.94
TM8E100C16MP11	CF/CM/CU36C	1.03	1.01	0.95
TM8E100C16MP11	CF/CM/CU42C	1.03	1.02	0.96
TM8E100C16MP11	CF/CM30C	1.03	1.01	0.95
TM8E120C16MP11	CF/CM/CU36C	1.03	1.02	0.95
TM8E120C16MP11	CF/CM/CU42C	1.03	1.03	0.96
TM8E120C16MP11	CF/CM30C	1.03	1.02	0.95
TM8V060A12MP11C	CF/CM/CU30A	0.99	0.98	0.92
TM8V060A12MP11C	CF/CM36A	1.01	0.99	0.94
TM8V060A12MP11C	CM30ABBA1	0.99	0.98	0.92
TM8V060A12MP12C	CF/CM/CU30A	0.99	0.98	0.92
TM8V060A12MP12C	CF/CM36A	1.01	0.99	0.94
TM8V060A12MP12C	CM30ABBA1	0.99	0.98	0.92
TM8V080B12MP11C	CF/CM/CU30B	1.00	1.00	0.93
TM8V080B12MP11C	CF/CM/CU36B	1.02	1.00	0.94
TM8V080B12MP11C	CF30BBBA1	1.00	1.00	0.93
TM8V080B12MP11C	CF42B	1.02	1.02	0.98
TM8V080B12MP11C	CM30BBBA1	1.00	1.00	0.93
TM8V080B12MP12C	CF/CM/CU30B	1.00	1.00	0.93
TM8V080B12MP12C	CF/CM/CU36B	1.02	1.00	0.94
TM8V080B12MP12C	CF30BBBA1	1.00	1.00	0.93
TM8V080B12MP12C	CM30BBBA1	1.00	1.00	0.93
TM8V080C16MP11C	CF/CM/CU36C	1.03	1.04	0.96
TM8V080C16MP11C	CF/CM/CU42C	1.03	1.01	0.96
TM8V080C16MP11C	CF/CM30C	1.01	1.03	0.94
TM8V080C16MP11C	CF/CM36D	1.03	1.04	0.96
TM8V080C16MP12C	CF/CM/CU30C	1.01	1.03	0.94
TM8V080C16MP12C	CF/CM/CU30D	1.01	1.03	0.94
TM8V080C16MP12C	CF/CM/CU36C	1.03	1.04	0.96
TM8V080C16MP12C	CF/CM/CU36D	1.03	1.04	0.96
TM8V080C16MP12C	CF/CM30C	1.01	1.03	0.94
TM8V080C16MP12C	CF/CM36D	1.03	1.04	0.96
TM8V100C16MP11C	CF/CM/CU36C	1.00	0.97	0.94
TM8V100C16MP11C	CF/CM/CU42C	1.03	1.01	0.96
TM8V100C16MP11C	CF/CM30C	1.01	1.03	0.94
TM8V100C16MP11C	CF/CM36D	1.03	1.04	0.96
TM8V100C16MP12C	CF/CM/CU30C	1.01	1.03	0.94
TM8V100C16MP12C	CF/CM/CU30D	1.01	1.03	0.94
TM8V100C16MP12C	CF/CM/CU36C	1.03	1.04	0.96
TM8V100C16MP12C	CF/CM/CU36D	1.03	1.04	0.96
TM8V100C16MP12C	CF/CM30C	1.01	1.03	0.94
TM8V100C16MP12C	CF/CM36D	1.03	1.04	0.96
TM8X060A12MP11	CF/CM/CU30A	1.00	1.01	0.96
TM8X060A12MP11	CF/CM36A	1.01	1.00	0.97
TM8X060A12MP11	CM30ABBA1	1.00	1.01	0.96
TM8X080B12MP11	CF/CM/CU30B	1.00	1.00	0.94
TM8X080B12MP11	CF/CM/CU36B	1.01	1.02	0.95
TM8X080B12MP11	CF30BBBA1	1.00	1.00	0.94
TM8X080B12MP11	CF42B	1.02	1.03	0.98
TM8X080B12MP11	CM30BBBA1	1.00	1.00	0.94
TM8X080C16MP11	CF/CM/CU30C	1.02	1.07	0.94

FURNACE MULTIPLIERS - 2.5 TON (Continued)

Furnaces	Coil	T.C.	S.C.	KW
TM8X080C16MP11	CF/CM/CU30D	1.03	1.09	0.95
TM8X080C16MP11	CF/CM/CU36C	1.04	1.09	0.96
TM8X080C16MP11	CF/CM/CU42C	1.03	1.03	0.95
TM8X080C16MP11	CF/CM30C	1.02	1.07	0.94
TM8X080C16MP11	CF/CM36D	1.01	1.02	0.95
TM8X080C16MP11	CF/CM36D	1.01	1.02	0.95
TM8X080C16MP11	CF/CM42D	1.03	1.03	0.97
TM8X100C16MP11	CF/CM/CU30C	1.02	1.07	0.94
TM8X100C16MP11	CF/CM/CU30D	1.03	1.09	0.95
TM8X100C16MP11	CF/CM/CU36C	1.01	1.02	0.95
TM8X100C16MP11	CF/CM/CU42C	1.03	1.03	0.95
TM8X100C16MP11	CF/CM30C	1.02	1.07	0.94
TM8X100C16MP11	CF/CM36D	1.01	1.02	0.95
TM8X100C16MP11	CF/CM36D	1.01	1.02	0.95
TM8X100C16MP11	CF/CM42D	1.03	1.03	0.97
TM8X100C20MP11	CF/CM/CU30C	1.03	1.11	0.95
TM8X100C20MP11	CF/CM/CU30D	1.03	1.11	0.95
TM8X100C20MP11	CF/CM/CU36C	1.04	1.11	0.96
TM8X100C20MP11	CF/CM/CU42C	1.03	1.03	0.95
TM8X100C20MP11	CF/CM30C	1.03	1.11	0.95
TM8X100C20MP11	CF/CM36D	1.01	1.02	0.95
TM8X100C20MP11	CF/CM36D	1.01	1.02	0.95
TM8X100C20MP11	CF/CM42D	1.03	1.03	0.97
TM8X120C20MP11	CF/CM/CU30C	1.03	1.11	0.95
TM8X120C20MP11	CF/CM/CU30D	1.03	1.11	0.95
TM8X120C20MP11	CF/CM/CU36C	1.01	1.02	0.95
TM8X120C20MP11	CF/CM/CU42C	1.03	1.03	0.95
TM8X120C20MP11	CF/CM30C	1.03	1.11	0.95
TM8X120C20MP11	CF/CM36D	1.01	1.02	0.95
TM8X120C20MP11	CF/CM36D	1.01	1.02	0.95
TM8X120C20MP11	CF/CM42D	1.03	1.03	0.97
TM8Y060A12MP11	CF/CM/CU30A	1.00	1.01	0.96
TM8Y060A12MP11	CF/CM36A	1.03	1.03	0.95
TM8Y060A12MP11	CM30ABBA1	1.00	1.01	0.96
TM8Y080B12MP11	CF/CM/CU30B	1.00	1.00	0.94
TM8Y080B12MP11	CF/CM/CU36B	1.03	1.01	0.95
TM8Y080B12MP11	CF30BBBA1	1.00	1.00	0.94
TM8Y080B12MP11	CF42B	1.02	1.03	0.98
TM8Y080B12MP11	CM30BBBA1	1.00	1.00	0.94
TM8Y080C16MP11	CF/CM/CU30C	1.02	1.07	0.94
TM8Y080C16MP11	CF/CM/CU30D	1.03	1.09	0.95
TM8Y080C16MP11	CF/CM/CU36C	1.04	1.09	0.96
TM8Y080C16MP11	CF/CM/CU42C	1.03	1.03	0.95
TM8Y080C16MP11	CF/CM30C	1.02	1.07	0.94
TM8Y080C16MP11	CF/CM36D	1.01	1.02	0.95
TM8Y080C16MP11	CF/CM36D	1.01	1.02	0.95
TM8Y080C16MP11	CF/CM42D	1.03	1.03	0.97
TM8Y100C16MP11	CF/CM/CU30C	1.02	1.07	0.94
TM8Y100C16MP11	CF/CM/CU30D	1.03	1.09	0.95
TM8Y100C16MP11	CF/CM/CU36C	1.01	1.02	0.95
TM8Y100C16MP11	CF/CM/CU42C	1.03	1.03	0.95
TM8Y100C16MP11	CF/CM30C	1.02	1.07	0.94
TM8Y100C16MP11	CF/CM36D	1.01	1.02	0.95
TM8Y100C16MP11	CF/CM36D	1.01	1.02	0.95
TM8Y100C16MP11	CF/CM42D	1.03	1.03	0.97

FURNACE MULTIPLIERS - 2.5 TON (Continued)

Furnaces	Coil	T.C.	S.C.	KW
TM8Y100C20MP11	CF/CM/CU30C	1.03	1.11	0.95
TM8Y100C20MP11	CF/CM/CU30D	1.03	1.11	0.95
TM8Y100C20MP11	CF/CM/CU36C	1.04	1.11	0.96
TM8Y100C20MP11	CF/CM/CU42C	1.03	1.03	0.95
TM8Y100C20MP11	CF/CM30C	1.03	1.11	0.95
TM8Y100C20MP11	CF/CM36D	1.01	1.02	0.95
TM8Y100C20MP11	CF/CM36D	1.01	1.02	0.95
TM8Y100C20MP11	CF/CM42D	1.03	1.03	0.97
TM8Y120C20MP11	CF/CM/CU30C	1.03	1.11	0.95
TM8Y120C20MP11	CF/CM/CU30D	1.03	1.11	0.95
TM8Y120C20MP11	CF/CM/CU36C	1.01	1.02	0.95
TM8Y120C20MP11	CF/CM/CU42C	1.03	1.03	0.95
TM8Y120C20MP11	CF/CM30C	1.03	1.11	0.95
TM8Y120C20MP11	CF/CM36D	1.01	1.02	0.95
TM8Y120C20MP11	CF/CM36D	1.01	1.02	0.95
TM8Y120C20MP11	CF/CM42D	1.03	1.03	0.97
TM9E040A10MP11	CF/CM36A	0.99	0.95	0.99
TM9E040A10MP12	CF/CM/CU30A	1.01	0.95	0.99
TM9E040A10MP12	CF/CM/CU30B	1.01	0.96	0.99
TM9E040A10MP12	CF/CM/CU36B	1.01	0.96	0.99
TM9E040A10MP12	CF/CM36A	1.01	0.95	0.99
TM9E040A10MP12	CF30BBBA1	1.01	0.96	0.99
TM9E040A10MP12	CF42B	1.01	0.97	0.99
TM9E040A10MP12	CM30ABBA1	1.01	0.95	0.99
TM9E040A10MP12	CM30BBBA1	1.01	0.96	0.99
TM9E060A10MP12	CF/CM/CU30A	1.01	0.95	0.97
TM9E060A10MP12	CF/CM/CU30B	1.01	0.98	0.94
TM9E060A10MP12	CF/CM/CU36B	1.01	0.98	0.94
TM9E060A10MP12	CF/CM36A	1.01	0.95	0.94
TM9E060A10MP12	CF30BBBA1	1.01	0.98	0.94
TM9E060A10MP12	CF42B	1.02	0.97	0.94
TM9E060A10MP12	CM30ABBA1	1.01	0.95	0.97
TM9E060A10MP12	CM30BBBA1	1.01	0.98	0.94
TM9E060B12MP11	CF/CM/CU36B	1.00	0.96	0.96
TM9E060B12MP11	CF42B	1.03	0.99	0.95
TM9E060B12MP12	CF/CM/CU30B	1.01	1.00	0.97
TM9E060B12MP12	CF/CM/CU36B	1.01	1.00	0.97
TM9E060B12MP12	CF/CM/CU36C	1.02	1.01	0.98
TM9E060B12MP12	CF/CM/CU42C	1.03	1.02	0.99
TM9E060B12MP12	CF/CM30C	1.02	1.01	0.98
TM9E060B12MP12	CF30BBBA1	1.01	1.00	0.97
TM9E060B12MP12	CF42B	1.02	1.00	0.98
TM9E060B12MP12	CM30BBBA1	1.01	1.00	0.97
TM9E080B12MP11	CF/CM/CU30B	1.01	1.02	0.95
TM9E080B12MP11	CF/CM/CU36B	1.03	1.04	0.96
TM9E080B12MP11	CF30BBBA1	1.01	1.02	0.95
TM9E080B12MP11	CF42B	1.03	0.99	0.95
TM9E080B12MP11	CM30BBBA1	1.01	1.02	0.95
TM9E080B12MP12	CF/CM/CU30B	1.02	1.00	0.94
TM9E080B12MP12	CF/CM/CU36B	1.02	1.00	0.94
TM9E080B12MP12	CF/CM/CU36C	1.02	1.01	0.94
TM9E080B12MP12	CF/CM/CU42C	1.03	1.02	0.95
TM9E080B12MP12	CF/CM30C	1.02	1.01	0.94
TM9E080B12MP12	CF30BBBA1	1.02	1.00	0.94
TM9E080B12MP12	CF42B	1.03	1.01	0.95

FURNACE MULTIPLIERS - 2.5 TON (Continued)

Furnaces	Coil	T.C.	S.C.	KW
TM9E080B12MP12	CM30BBBA1	1.02	1.00	0.94
TM9E080C16MP11	CF/CM/CU36C	1.01	1.01	0.97
TM9E080C16MP11	CF/CM/CU42C	1.02	1.03	0.98
TM9E080C16MP11	CF/CM36D	1.01	1.02	0.97
TM9E080C16MP11	CF/CM42D	1.02	1.03	0.96
TM9E080C16MP12	CF/CM/CU36C	1.03	1.07	0.95
TM9E080C16MP12	CF/CM/CU42C	1.03	1.00	0.95
TM9E080C16MP12	CF/CM30C	1.02	0.99	0.94
TM9E100C16MP11	CF/CM/CU30C	1.02	1.09	0.94
TM9E100C16MP11	CF/CM/CU30D	1.03	1.11	0.95
TM9E100C16MP11	CF/CM/CU36C	1.04	1.11	0.96
TM9E100C16MP11	CF/CM/CU42C	1.02	1.03	0.98
TM9E100C16MP11	CF/CM30C	1.02	1.09	0.94
TM9E100C16MP11	CF/CM36D	1.01	1.02	0.97
TM9E100C16MP11	CF/CM36D	1.01	1.02	0.97
TM9E100C16MP11	CF/CM36D	1.01	1.02	0.97
TM9E100C16MP11	CF/CM42D	1.02	1.03	0.96
TM9E100C16MP12	CF/CM/CU36C	1.03	1.01	0.95
TM9E100C16MP12	CF/CM/CU42C	1.03	1.01	0.95
TM9E100C16MP12	CF/CM30C	1.03	1.01	0.95
TM9E100C20MP11	CF/CM/CU36C	1.01	1.01	0.95
TM9E100C20MP11	CF/CM/CU42C	1.03	1.04	0.95
TM9E100C20MP11	CF/CM36D	1.01	1.01	0.94
TM9E100C20MP11	CF/CM42D	1.03	1.04	0.95
TM9E100C20MP12	CF/CM/CU36C	1.03	1.13	0.96
TM9E100C20MP12	CF/CM30C	1.03	1.13	0.96
TM9E120D20MP11	CF/CM/CU30D	1.03	1.08	0.95
TM9E120D20MP11	CF/CM36D	1.01	1.01	0.94
TM9E120D20MP11	CF/CM36D	1.01	1.01	0.94
TM9E120D20MP11	CF/CM42D	1.03	1.04	0.96
TM9V060B12MP11C	CF/CM/CU36B	1.01	1.00	0.97
TM9V060B12MP11C	CF42B	1.03	1.00	0.96
TM9V060B12MP12C	CF/CM/CU30B	1.01	1.02	0.97
TM9V060B12MP12C	CF/CM/CU36B	1.03	1.03	0.95
TM9V060B12MP12C	CF30BBBA1	1.01	1.02	0.97
TM9V060B12MP12C	CM30BBBA1	1.01	1.02	0.97
TM9V080B12MP11C	CF/CM/CU30B	0.99	0.98	0.93
TM9V080B12MP11C	CF/CM/CU36B	1.01	1.00	0.94
TM9V080B12MP11C	CF30BBBA1	0.99	0.98	0.93
TM9V080B12MP11C	CF42B	1.03	1.00	0.96
TM9V080B12MP11C	CM30BBBA1	0.99	0.98	0.93
TM9V080B12MP12C	CF/CM/CU30B	0.99	0.98	0.93
TM9V080B12MP12C	CF/CM/CU36B	1.02	1.02	0.94
TM9V080B12MP12C	CF30BBBA1	0.99	0.98	0.93
TM9V080B12MP12C	CM30BBBA1	0.99	0.98	0.93
TM9V080C16MP11C	CF/CM/CU36C	1.04	1.09	0.96
TM9V080C16MP11C	CF/CM/CU42C	1.03	1.03	0.95
TM9V080C16MP11C	CF/CM30C	1.02	1.07	0.96
TM9V080C16MP11C	CF/CM36D	1.04	1.09	0.96
TM9V080C16MP12C	CF/CM/CU30C	1.02	1.07	0.96
TM9V080C16MP12C	CF/CM/CU30D	1.02	1.07	0.94
TM9V080C16MP12C	CF/CM/CU36C	1.04	1.09	0.96
TM9V080C16MP12C	CF/CM/CU36D	1.04	1.09	0.96
TM9V080C16MP12C	CF/CM30C	1.02	1.07	0.96
TM9V080C16MP12C	CF/CM36D	1.04	1.09	0.96
TM9V100C16MP11C	CF/CM/CU36C	1.01	1.01	0.94

FURNACE MULTIPLIERS - 2.5 TON (Continued)

Furnaces	Coil	T.C.	S.C.	KW
TM9V100C16MP11C	CF/CM/CU42C	1.03	1.03	0.95
TM9V100C16MP11C	CF/CM30C	1.01	1.04	0.94
TM9V100C16MP11C	CF/CM36D	1.04	1.06	0.96
TM9V100C16MP12C	CF/CM/CU30C	1.01	1.04	0.94
TM9V100C16MP12C	CF/CM/CU30D	1.02	1.05	0.94
TM9V100C16MP12C	CF/CM/CU36C	1.04	1.06	0.96
TM9V100C16MP12C	CF/CM/CU36D	1.04	1.06	0.96
TM9V100C16MP12C	CF/CM30C	1.01	1.04	0.94
TM9V100C16MP12C	CF/CM36D	1.04	1.06	0.96
TM9V100C20MP11C	CF/CM/CU36C	1.04	1.16	0.96
TM9V100C20MP11C	CF/CM36D	1.04	1.16	0.96
TM9V100C20MP12C	CF/CM/CU30D	1.03	1.16	0.97
TM9V100C20MP12C	CF/CM/CU36C	1.04	1.16	0.96
TM9V100C20MP12C	CF/CM/CU36D	1.04	1.16	0.96
TM9V100C20MP12C	CF/CM36D	1.04	1.16	0.96
TM9V120D20MP11C	CF/CM36D	1.04	1.14	0.96
TM9V120D20MP12C	CF/CM/CU30D	1.03	1.14	0.96
TM9V120D20MP12C	CF/CM/CU36D	1.04	1.14	0.96
TM9V120D20MP12C	CF/CM36D	1.04	1.14	0.96
TM9Y040A10MP11	CF/CM36A	0.99	0.95	0.99
TM9Y060B12MP11	CF/CM/CU36B	1.00	0.96	0.96
TM9Y060B12MP11	CF42B	1.03	0.99	0.95
TM9Y080B12MP11	CF/CM/CU30B	1.01	1.02	0.95
TM9Y080B12MP11	CF/CM/CU36B	1.03	1.04	0.96
TM9Y080B12MP11	CF30BBBA1	1.01	1.02	0.95
TM9Y080B12MP11	CF42B	1.03	0.99	0.95
TM9Y080B12MP11	CM30BBBA1	1.01	1.02	0.95
TM9Y080C16MP11	CF/CM/CU36C	1.01	1.01	0.97
TM9Y080C16MP11	CF/CM/CU42C	1.02	1.03	0.98
TM9Y080C16MP11	CF/CM36D	1.01	1.02	0.97
TM9Y080C16MP11	CF/CM42D	1.02	1.03	0.96
TM9Y100C16MP11	CF/CM/CU30C	1.02	1.09	0.94
TM9Y100C16MP11	CF/CM/CU30D	1.03	1.11	0.95
TM9Y100C16MP11	CF/CM/CU36C	1.04	1.11	0.96
TM9Y100C16MP11	CF/CM/CU42C	1.02	1.03	0.98
TM9Y100C16MP11	CF/CM30C	1.02	1.09	0.94
TM9Y100C16MP11	CF/CM36D	1.01	1.02	0.97
TM9Y100C16MP11	CF/CM36D	1.01	1.02	0.97
TM9Y100C16MP11	CF/CM42D	1.02	1.03	0.96
TM9Y100C20MP11	CF/CM/CU36C	1.01	1.01	0.95
TM9Y100C20MP11	CF/CM/CU42C	1.03	1.04	0.95
TM9Y100C20MP11	CF/CM36D	1.01	1.01	0.94
TM9Y100C20MP11	CF/CM42D	1.03	1.04	0.95
TM9Y120D20MP11	CF/CM/CU30D	1.03	1.08	0.95
TM9Y120D20MP11	CF/CM36D	1.01	1.01	0.94
TM9Y120D20MP11	CF/CM36D	1.01	1.01	0.94
TM9Y120D20MP11	CF/CM42D	1.03	1.04	0.96
TMLE040A12MP11	CF/CM/CU30A	1.01	0.95	0.94
TMLE040A12MP11	CF/CM/CU30B	1.02	0.99	0.94
TMLE040A12MP11	CF/CM/CU36B	1.02	0.99	0.94
TMLE040A12MP11	CF/CM36A	1.01	0.96	0.94
TMLE040A12MP11	CF30BBBA1	1.02	0.99	0.94
TMLE040A12MP11	CF42B	1.03	0.99	0.95
TMLE040A12MP11	CM30ABBA1	1.01	0.95	0.94
TMLE040A12MP11	CM30BBBA1	1.02	0.99	0.94

FURNACE MULTIPLIERS - 2.5 TON (Continued)

Furnaces	Coil	T.C.	S.C.	KW
TMLE060A12MP11	CF/CM/CU30A	1.01	0.96	0.94
TMLE060A12MP11	CF/CM/CU30B	1.02	0.99	0.94
TMLE060A12MP11	CF/CM/CU36B	1.02	0.99	0.94
TMLE060A12MP11	CF/CM36A	1.01	0.96	0.94
TMLE060A12MP11	CF30BBBA1	1.02	0.99	0.94
TMLE060A12MP11	CF42B	1.02	0.98	0.94
TMLE060A12MP11	CM30ABBA1	1.01	0.96	0.94
TMLE060A12MP11	CM30BBBA1	1.02	0.99	0.94
TMLE080B12MP11	CF/CM/CU30B	1.02	1.00	0.94
TMLE080B12MP11	CF/CM/CU36B	1.02	0.99	0.94
TMLE080B12MP11	CF/CM/CU36C	1.02	1.00	0.94
TMLE080B12MP11	CF/CM/CU42C	1.03	1.00	0.95
TMLE080B12MP11	CF/CM30C	1.02	1.00	0.94
TMLE080B12MP11	CF30BBBA1	1.02	1.00	0.94
TMLE080B12MP11	CF42B	1.03	1.00	0.95
TMLE080B12MP11	CM30BBBA1	1.02	1.00	0.94
TMLE080C16MP11	CF/CM/CU36C	1.03	1.02	0.95
TMLE080C16MP11	CF/CM/CU42C	1.03	1.03	0.96
TMLE080C16MP11	CF/CM30C	1.03	1.02	0.95
TMLE100B12MP11	CF/CM/CU30B	1.02	1.00	0.94
TMLE100B12MP11	CF/CM/CU36B	1.02	1.00	0.94
TMLE100B12MP11	CF/CM/CU36C	1.02	1.00	0.94
TMLE100B12MP11	CF/CM/CU42C	1.03	1.01	0.95
TMLE100B12MP11	CF/CM30C	1.02	1.00	0.94
TMLE100B12MP11	CF30BBBA1	1.02	1.00	0.94
TMLE100B12MP11	CF42B	1.03	1.00	0.95
TMLE100B12MP11	CM30BBBA1	1.02	1.00	0.94
TMLE100C16MP11	CF/CM/CU36C	1.03	1.01	0.95
TMLE100C16MP11	CF/CM/CU42C	1.03	1.02	0.96
TMLE100C16MP11	CF/CM30C	1.03	1.01	0.95
TMLE120C16MP11	CF/CM/CU36C	1.03	1.02	0.95
TMLE120C16MP11	CF/CM/CU42C	1.03	1.03	0.96
TMLE120C16MP11	CF/CM30C	1.03	1.02	0.95
TMLV060A12MP11C	CF/CM/CU30A	0.99	0.98	0.92
TMLV060A12MP11C	CF/CM36A	1.01	0.99	0.94
TMLV060A12MP11C	CM30ABBA1	0.99	0.98	0.92
TMLV060A12MP12C	CF/CM/CU30A	0.99	0.98	0.92
TMLV060A12MP12C	CF/CM36A	1.01	0.99	0.94
TMLV060A12MP12C	CM30ABBA1	0.99	0.98	0.92
TMLV080B12MP11C	CF/CM/CU30B	1.00	1.00	0.93
TMLV080B12MP11C	CF/CM/CU36B	1.02	1.00	0.94
TMLV080B12MP11C	CF30BBBA1	1.00	1.00	0.93
TMLV080B12MP11C	CF42B	1.02	1.02	0.98
TMLV080B12MP11C	CM30BBBA1	1.00	1.00	0.93
TMLV080B12MP12C	CF/CM/CU30B	1.00	1.00	0.93
TMLV080B12MP12C	CF/CM/CU36B	1.02	1.00	0.94
TMLV080B12MP12C	CF30BBBA1	1.00	1.00	0.93
TMLV080B12MP12C	CM30BBBA1	1.00	1.00	0.93
TMLV080C16MP11C	CF/CM/CU36C	1.03	1.04	0.96
TMLV080C16MP11C	CF/CM/CU42C	1.03	1.01	0.96
TMLV080C16MP11C	CF/CM30C	1.01	1.03	0.94
TMLV080C16MP11C	CF/CM36D	1.03	1.04	0.96
TMLV080C16MP12C	CF/CM/CU30C	1.01	1.03	0.94
TMLV080C16MP12C	CF/CM/CU30D	1.01	1.03	0.94
TMLV080C16MP12C	CF/CM/CU36C	1.03	1.04	0.96

FURNACE MULTIPLIERS - 2.5 TON (Continued)

Furnaces	Coil	T.C.	S.C.	KW
TMLV080C16MP12C	CF/CM/CU36D	1.03	1.04	0.96
TMLV080C16MP12C	CF/CM30C	1.01	1.03	0.94
TMLV080C16MP12C	CF/CM36D	1.03	1.04	0.96
TMLV100C16MP11C	CF/CM/CU36C	1.00	0.97	0.94
TMLV100C16MP11C	CF/CM/CU42C	1.03	1.01	0.96
TMLV100C16MP11C	CF/CM30C	1.01	1.03	0.94
TMLV100C16MP11C	CF/CM36D	1.03	1.04	0.96
TMLV100C16MP12C	CF/CM/CU30C	1.01	1.03	0.94
TMLV100C16MP12C	CF/CM/CU30D	1.01	1.03	0.94
TMLV100C16MP12C	CF/CM/CU36C	1.03	1.04	0.96
TMLV100C16MP12C	CF/CM/CU36D	1.03	1.04	0.96
TMLV100C16MP12C	CF/CM30C	1.01	1.03	0.94
TMLV100C16MP12C	CF/CM36D	1.03	1.04	0.96
TMLX060A12MP11	CF/CM/CU30A	1.00	1.01	0.96
TMLX060A12MP11	CF/CM36A	1.01	1.00	0.97
TMLX060A12MP11	CM30ABBA1	1.00	1.01	0.96
TMLX080B12MP11	CF/CM/CU30B	1.00	1.00	0.94
TMLX080B12MP11	CF/CM/CU36B	1.03	1.01	0.95
TMLX080B12MP11	CF30BBBA1	1.00	1.00	0.94
TMLX080B12MP11	CF42B	1.02	1.03	0.98
TMLX080B12MP11	CM30BBBA1	1.00	1.00	0.94
TMLX080C16MP11	CF/CM/CU30C	1.02	1.07	0.94
TMLX080C16MP11	CF/CM/CU30D	1.03	1.09	0.95
TMLX080C16MP11	CF/CM/CU36C	1.04	1.09	0.96
TMLX080C16MP11	CF/CM/CU42C	1.03	1.03	0.95
TMLX080C16MP11	CF/CM30C	1.02	1.07	0.94
TMLX080C16MP11	CF/CM36D	1.01	1.02	0.95
TMLX080C16MP11	CF/CM36D	1.01	1.02	0.95
TMLX080C16MP11	CF/CM42D	1.03	1.03	0.97
TMLX100C16MP11	CF/CM/CU30C	1.02	1.07	0.94
TMLX100C16MP11	CF/CM/CU30D	1.03	1.09	0.95
TMLX100C16MP11	CF/CM/CU36C	1.01	1.02	0.95
TMLX100C16MP11	CF/CM/CU42C	1.03	1.03	0.95
TMLX100C16MP11	CF/CM30C	1.02	1.07	0.94
TMLX100C16MP11	CF/CM36D	1.01	1.02	0.95
TMLX100C16MP11	CF/CM36D	1.01	1.02	0.95
TMLX100C16MP11	CF/CM42D	1.03	1.03	0.97
TMLX100C20MP11	CF/CM/CU30C	1.03	1.11	0.95
TMLX100C20MP11	CF/CM/CU30D	1.03	1.11	0.95
TMLX100C20MP11	CF/CM/CU36C	1.04	1.11	0.96
TMLX100C20MP11	CF/CM/CU42C	1.03	1.03	0.95
TMLX100C20MP11	CF/CM30C	1.03	1.11	0.95
TMLX100C20MP11	CF/CM36D	1.01	1.02	0.95
TMLX100C20MP11	CF/CM36D	1.01	1.02	0.95
TMLX100C20MP11	CF/CM42D	1.03	1.03	0.97
TMLX120C20MP11	CF/CM/CU30C	1.03	1.11	0.95
TMLX120C20MP11	CF/CM/CU30D	1.03	1.11	0.95
TMLX120C20MP11	CF/CM/CU36C	1.01	1.02	0.95
TMLX120C20MP11	CF/CM/CU42C	1.03	1.03	0.95
TMLX120C20MP11	CF/CM30C	1.03	1.11	0.95
TMLX120C20MP11	CF/CM36D	1.01	1.02	0.95
TMLX120C20MP11	CF/CM36D	1.01	1.02	0.95
TMLX120C20MP11	CF/CM42D	1.03	1.03	0.97
TP9C060B12MP12C	CF/CM/CU36B	1.01	1.00	0.97
TP9C060B12MP12C	CF42B	1.03	1.00	0.96

FURNACE MULTIPLIERS - 2.5 TON (Continued)

Furnaces	Coil	T.C.	S.C.	KW
TP9C060B12MP13C	CF/CM/CU30B	1.01	1.02	0.97
TP9C060B12MP13C	CF/CM/CU36B	1.03	1.03	0.95
TP9C060B12MP13C	CF30BBBA1	1.01	1.02	0.97
TP9C060B12MP13C	CM30BBBA1	1.01	1.02	0.97
TP9C080B12MP12C	CF/CM/CU30B	0.99	0.98	0.93
TP9C080B12MP12C	CF/CM/CU36B	1.01	1.00	0.94
TP9C080B12MP12C	CF30BBBA1	0.99	0.98	0.93
TP9C080B12MP12C	CF42B	1.03	1.00	0.96
TP9C080B12MP12C	CM30BBBA1	0.99	0.98	0.93
TP9C080B12MP13C	CF/CM/CU30B	0.99	0.98	0.93
TP9C080B12MP13C	CF/CM/CU36B	1.01	1.00	0.94
TP9C080B12MP13C	CF30BBBA1	0.99	0.98	0.93
TP9C080B12MP13C	CM30BBBA1	0.99	0.98	0.93
TP9C080C16MP12C	CF/CM/CU36C	1.01	1.01	0.94
TP9C080C16MP12C	CF/CM/CU42C	1.03	1.03	0.95
TP9C080C16MP13C	CF/CM/CU30C	1.02	1.07	0.96
TP9C080C16MP13C	CF/CM/CU30D	1.02	1.07	0.94
TP9C080C16MP13C	CF/CM/CU36C	1.04	1.09	0.96
TP9C080C16MP13C	CF/CM/CU36D	1.04	1.09	0.96
TP9C080C16MP13C	CF/CM30C	1.02	1.07	0.96
TP9C080C16MP13C	CF/CM36D	1.04	1.09	0.96
TP9C100C16MP12C	CF/CM/CU36C	1.04	1.06	0.96
TP9C100C16MP12C	CF/CM/CU42C	1.03	1.03	0.95
TP9C100C16MP12C	CF/CM30C	1.01	1.04	0.94
TP9C100C16MP12C	CF/CM36D	1.04	1.06	0.96
TP9C100C16MP13C	CF/CM/CU30C	1.01	1.04	0.94
TP9C100C16MP13C	CF/CM/CU30D	1.02	1.05	0.94
TP9C100C16MP13C	CF/CM/CU36C	1.04	1.06	0.96
TP9C100C16MP13C	CF/CM/CU36D	1.04	1.06	0.96
TP9C100C16MP13C	CF/CM30C	1.01	1.04	0.94
TP9C100C16MP13C	CF/CM36D	1.04	1.06	0.96
TP9C100C20MP12C	CF/CM/CU36C	1.01	1.05	0.97
TP9C100C20MP12C	CF/CM36D	1.04	1.16	0.96
TP9C100C20MP13C	CF/CM/CU30D	1.03	1.16	0.97
TP9C100C20MP13C	CF/CM/CU36C	1.04	1.16	0.96
TP9C100C20MP13C	CF/CM/CU36D	1.04	1.16	0.96
TP9C100C20MP13C	CF/CM36D	1.04	1.16	0.96
TP9C100C20MP13C	CF/CM36D	1.04	1.16	0.96
TP9C120D20MP12C	CF/CM36D	1.03	1.10	0.96
TP9C120D20MP12C	CF/CM42D	1.03	1.12	0.96
TP9C120D20MP13C	CF/CM/CU30D	1.03	1.14	0.96
TP9C120D20MP13C	CF/CM/CU36D	1.04	1.14	0.96
TP9C120D20MP13C	CF/CM36D	1.04	1.14	0.96
TPLC060A12MP12C	CF/CM/CU30A	0.99	0.98	0.92
TPLC060A12MP12C	CF/CM36A	1.01	0.99	0.94
TPLC060A12MP12C	CM30ABBA1	0.99	0.98	0.92
TPLC060A12MP13C	CF/CM/CU30A	0.99	0.98	0.92
TPLC060A12MP13C	CF/CM36A	1.01	0.99	0.94
TPLC060A12MP13C	CM30ABBA1	0.99	0.98	0.92
TPLC080B12MP12C	CF/CM/CU30B	1.00	1.00	0.93
TPLC080B12MP12C	CF/CM/CU36B	1.02	1.00	0.94
TPLC080B12MP12C	CF30BBBA1	1.00	1.00	0.93
TPLC080B12MP12C	CF42B	1.02	1.02	0.98
TPLC080B12MP12C	CM30BBBA1	1.00	1.00	0.93
TPLC080B12MP13C	CF/CM/CU30B	1.00	1.00	0.93
TPLC080B12MP13C	CF/CM/CU36B	1.02	1.00	0.94

FURNACE MULTIPLIERS - 2.5 TON (Continued)

Furnaces	Coil	T.C.	S.C.	KW
TPLC080B12MP13C	CF30BBBA1	1.00	1.00	0.93
TPLC080B12MP13C	CM30BBBA1	1.00	1.00	0.93
TPLC080C16MP12C	CF/CM/CU36C	1.03	1.04	0.96
TPLC080C16MP12C	CF/CM/CU42C	1.03	1.01	0.96
TPLC080C16MP12C	CF/CM30C	1.01	1.03	0.94
TPLC080C16MP12C	CF/CM36D	1.03	1.04	0.96
TPLC080C16MP13C	CF/CM/CU30C	1.01	1.03	0.94
TPLC080C16MP13C	CF/CM/CU30D	1.01	1.03	0.94
TPLC080C16MP13C	CF/CM/CU36C	1.03	1.04	0.96
TPLC080C16MP13C	CF/CM/CU36D	1.03	1.04	0.96
TPLC080C16MP13C	CF/CM30C	1.01	1.03	0.94
TPLC080C16MP13C	CF/CM36D	1.03	1.04	0.96
TPLC080C16MP13C	CF/CM36D	1.03	1.04	0.96
TPLC100C16MP12C	CF/CM/CU36C	1.00	0.97	0.94
TPLC100C16MP12C	CF/CM/CU42C	1.03	1.01	0.96
TPLC100C16MP12C	CF/CM30C	1.01	1.03	0.94
TPLC100C16MP12C	CF/CM36D	1.03	1.04	0.96
TPLC100C16MP13C	CF/CM/CU30C	1.01	1.03	0.94
TPLC100C16MP13C	CF/CM/CU30D	1.01	1.03	0.94
TPLC100C16MP13C	CF/CM/CU36C	1.03	1.04	0.96
TPLC100C16MP13C	CF/CM/CU36D	1.03	1.04	0.96
TPLC100C16MP13C	CF/CM30C	1.01	1.03	0.94
TPLC100C16MP13C	CF/CM36D	1.03	1.04	0.96
YP9C060B12MP12C	CF/CM/CU36B	1.01	1.00	0.97
YP9C060B12MP12C	CF42B	1.03	1.00	0.96
YP9C060B12MP13C	CF/CM/CU30B	1.01	1.02	0.97
YP9C060B12MP13C	CF/CM/CU36B	1.03	1.03	0.95
YP9C060B12MP13C	CF30BBBA1	1.01	1.02	0.97
YP9C060B12MP13C	CM30BBBA1	1.01	1.02	0.97
YP9C080B12MP12C	CF/CM/CU30B	0.99	0.98	0.93
YP9C080B12MP12C	CF/CM/CU36B	1.02	1.02	0.94
YP9C080B12MP12C	CF30BBBA1	0.99	0.98	0.93
YP9C080B12MP12C	CF42B	1.03	1.00	0.96
YP9C080B12MP12C	CM30BBBA1	0.99	0.98	0.93
YP9C080B12MP13C	CF/CM/CU30B	0.99	0.98	0.93
YP9C080B12MP13C	CF/CM/CU36B	1.02	1.02	0.94
YP9C080B12MP13C	CF30BBBA1	0.99	0.98	0.93
YP9C080B12MP13C	CM30BBBA1	0.99	0.98	0.93
YP9C080C16MP12C	CF/CM/CU36C	1.01	1.01	0.94
YP9C080C16MP12C	CF/CM/CU42C	1.03	1.03	0.95
YP9C080C16MP13C	CF/CM/CU30C	1.02	1.07	0.96
YP9C080C16MP13C	CF/CM/CU30D	1.02	1.07	0.94
YP9C080C16MP13C	CF/CM/CU36C	1.04	1.09	0.96
YP9C080C16MP13C	CF/CM/CU36D	1.04	1.09	0.96
YP9C080C16MP13C	CF/CM30C	1.02	1.07	0.96
YP9C080C16MP13C	CF/CM36D	1.04	1.09	0.96
YP9C100C16MP12C	CF/CM/CU36C	1.04	1.06	0.96
YP9C100C16MP12C	CF/CM/CU42C	1.03	1.03	0.95
YP9C100C16MP12C	CF/CM30C	1.01	1.04	0.94
YP9C100C16MP12C	CF/CM36D	1.04	1.06	0.96
YP9C100C16MP13C	CF/CM/CU30C	1.01	1.04	0.94
YP9C100C16MP13C	CF/CM/CU30D	1.02	1.05	0.94
YP9C100C16MP13C	CF/CM/CU36C	1.04	1.06	0.96

FURNACE MULTIPLIERS - 2.5 TON (Continued)

Furnaces	Coil	T.C.	S.C.	KW
YP9C100C16MP13C	CF/CM/CU36D	1.04	1.06	0.96
YP9C100C16MP13C	CF/CM30C	1.01	1.04	0.94
YP9C100C16MP13C	CF/CM36D	1.04	1.06	0.96
YP9C100C20MP12C	CF/CM/CU36C	1.01	1.05	0.97
YP9C100C20MP12C	CF/CM36D	1.04	1.16	0.96
YP9C100C20MP13C	CF/CM/CU30D	1.03	1.16	0.97
YP9C100C20MP13C	CF/CM/CU36C	1.04	1.16	0.96
YP9C100C20MP13C	CF/CM/CU36D	1.04	1.16	0.96
YP9C100C20MP13C	CF/CM36D	1.04	1.16	0.96
YP9C100C20MP13C	CF/CM36D	1.04	1.16	0.96
YP9C120D20MP12C	CF/CM36D	1.03	1.10	0.96
YP9C120D20MP12C	CF/CM42D	1.03	1.12	0.96
YP9C120D20MP13C	CF/CM/CU30D	1.03	1.14	0.96
YP9C120D20MP13C	CF/CM/CU36D	1.04	1.14	0.96
YP9C120D20MP13C	CF/CM36D	1.04	1.14	0.96
YPLC060A12MP12C	CF/CM/CU30A	0.99	0.98	0.92
YPLC060A12MP12C	CF/CM36A	1.01	0.99	0.94
YPLC060A12MP12C	CM30ABBA1	0.99	0.98	0.92
YPLC060A12MP13C	CF/CM/CU30A	0.99	0.98	0.92
YPLC060A12MP13C	CF/CM36A	1.01	0.99	0.94
YPLC060A12MP13C	CM30ABBA1	0.99	0.98	0.92
YPLC080B12MP12C	CF/CM/CU30B	1.00	1.00	0.93
YPLC080B12MP12C	CF/CM/CU36B	1.02	1.00	0.94
YPLC080B12MP12C	CF30BBBA1	1.00	1.00	0.93
YPLC080B12MP12C	CF42B	1.02	1.02	0.98
YPLC080B12MP12C	CM30BBBA1	1.00	1.00	0.93
YPLC080B12MP13C	CF/CM/CU30B	1.00	1.00	0.93
YPLC080B12MP13C	CF/CM/CU36B	1.02	1.00	0.94
YPLC080B12MP13C	CF30BBBA1	1.00	1.00	0.93
YPLC080B12MP13C	CM30BBBA1	1.00	1.00	0.93
YPLC080C16MP12C	CF/CM/CU36C	1.03	1.04	0.96
YPLC080C16MP12C	CF/CM/CU42C	1.03	1.01	0.96
YPLC080C16MP12C	CF/CM30C	1.01	1.03	0.94
YPLC080C16MP12C	CF/CM36D	1.03	1.04	0.96
YPLC080C16MP13C	CF/CM/CU30C	1.01	1.03	0.94
YPLC080C16MP13C	CF/CM/CU30D	1.01	1.03	0.94
YPLC080C16MP13C	CF/CM/CU36C	1.03	1.04	0.96
YPLC080C16MP13C	CF/CM/CU36D	1.03	1.04	0.96
YPLC080C16MP13C	CF/CM30C	1.01	1.03	0.94
YPLC080C16MP13C	CF/CM36D	1.03	1.04	0.96
YPLC100C16MP12C	CF/CM/CU36C	1.00	0.97	0.94
YPLC100C16MP12C	CF/CM/CU42C	1.03	1.01	0.96
YPLC100C16MP12C	CF/CM30C	1.01	1.03	0.94
YPLC100C16MP12C	CF/CM36D	1.03	1.04	0.96
YPLC100C16MP13C	CF/CM/CU30C	1.01	1.03	0.94
YPLC100C16MP13C	CF/CM/CU30D	1.01	1.03	0.94
YPLC100C16MP13C	CF/CM/CU36C	1.03	1.04	0.96
YPLC100C16MP13C	CF/CM/CU36D	1.03	1.04	0.96
YPLC100C16MP13C	CF/CM30C	1.01	1.03	0.94
YPLC100C16MP13C	CF/CM36D	1.03	1.04	0.96

HEATING PERFORMANCE DATA										
CONDENSING UNIT MODEL NO		YHE30B21S								
AIR TEMP. ENTERING OUTDOOR UNIT (°F)	AIR TEMP. ENTERING INDOOR COIL (°F)	ID CFM								
		800			1000			1200		
		MBH	COP	KW	MBH	COP	KW	MBH	COP	KW
60	60	35.9	4.41	2.38	36.6	4.64	2.31	37.4	4.87	2.25
	70	35.1	3.93	2.61	35.8	4.13	2.54	36.5	4.33	2.47
	80	34.2	3.52	2.85	35.0	3.70	2.77	35.7	3.90	2.68
47	60	30.7	3.94	2.28	31.3	4.09	2.24	31.8	4.26	2.19
	70	30.2	3.53	2.50	30.7	3.67	2.45	31.2	3.81	2.40
	80	29.7	3.18	2.73	30.1	3.31	2.67	30.6	3.43	2.61
40	60	28.3	3.75	2.21	28.7	3.84	2.19	29.2	3.94	2.17
	70	27.8	3.32	2.45	28.2	3.43	2.41	28.7	3.53	2.38
	80	27.3	2.98	2.68	27.8	3.08	2.64	28.2	3.19	2.59
30	60	24.8	3.38	2.15	25.1	3.44	2.14	25.5	3.50	2.13
	70	24.4	3.02	2.37	24.8	3.09	2.35	25.1	3.14	2.34
	80	24.1	2.72	2.59	24.4	2.78	2.57	24.7	2.85	2.54
17	60	20.3	2.87	2.07	20.6	2.89	2.08	20.8	2.91	2.09
	70	19.8	2.55	2.28	20.1	2.58	2.28	20.3	2.61	2.28
	80	19.4	2.29	2.48	19.6	2.32	2.48	19.9	2.36	2.47
10	60	18.4	2.63	2.05	18.7	2.65	2.06	18.87	2.67	2.07
	70	18.2	2.36	2.26	18.4	2.39	2.26	18.7	2.42	2.26
	80	17.9	2.13	2.46	18.2	2.16	2.46	18.4	2.20	2.45
0	60	11.6	2.03	1.67	11.7	2.04	1.68	11.9	2.06	1.69
	70	11.4	1.82	1.84	11.6	1.84	1.84	11.7	1.86	1.84
	80	11.3	1.65	2.01	11.4	1.67	2.01	11.6	1.70	2.00
-10	60	8.1	1.47	1.61	8.2	1.48	1.62	8.3	1.49	1.63
	70	8.0	1.32	1.78	8.1	1.33	1.78	8.2	1.35	1.78
	80	7.9	1.19	1.94	8.0	1.21	1.94	8.1	1.23	1.93
-20	60	4.6	0.87	1.55	4.6	0.87	1.56	4.7	0.88	1.56
	70	4.5	0.78	1.71	4.6	0.79	1.71	4.6	0.80	1.71
	80	4.5	0.70	1.86	4.5	0.71	1.86	4.6	0.73	1.85

NOTE: ALL CAPACITIES INCLUDE INDOOR FAN HEAT. KW VALUES ARE FOR THE SYSTEM (OUTDOOR + INDOOR).

Yellow shaded cells are AHRI High Heating conditions.

Orange shaded cells are AHRI Low Heating conditions.

Multipliers for determining the performance with other indoor sections.

COIL MULTIPLIERS - 2.5 TON

Air Handler	Coil	MBH	COP	KW
-	CF/CM/CU30B	1.01	1.00	1.01
-	CF/CM/CU30C	1.01	1.00	1.01
-	CF/CM/CU30D	1.01	1.00	1.01
-	CF/CM/CU36B	1.01	1.11	0.91
-	CF/CM/CU36C	1.01	1.11	0.91
-	CF/CM/CU36D	1.01	1.11	0.91
-	CF/CM/CU42C	0.99	1.00	0.99
-	CF/CM30C	1.01	1.00	1.01
-	CF/CM36A	1.01	1.11	0.91
-	CF/CM36D	1.01	1.11	0.91
-	CF/CM42D	0.99	1.00	0.99
-	CF30BBBA1	1.01	1.00	1.01
-	CM30BBBA1	1.01	1.00	1.01
AE30BBB21	-	1.01	1.05	0.96
AE30BX21	-	1.01	1.05	0.96
AE36BBE21	-	0.98	1.06	0.93
AE36BX21	-	1.01	1.19	0.85
AE36CBE21	-	1.01	1.16	0.87

COIL MULTIPLIERS - 2.5 TON

Air Handler	Coil	MBH	COP	KW
AE36CX21	-	0.98	1.07	0.92
AE42CX21	-	0.97	1.09	0.89
AP30BBB21	-	1.00	1.00	1.00
AP30BX21	-	1.00	1.00	1.00
AP36BX21	-	1.00	1.01	0.99
AVC30BX21	-	1.01	1.03	0.99
AVC36BX21	-	1.01	1.18	0.86
AVC36CX21	-	0.97	1.08	0.90
AVC42CX21	-	0.97	1.08	0.89
ME12BN21	CF/CM30B	1.01	1.05	0.96
ME12BN21	CF/CM36B	1.01	1.16	0.87
ME12BN21	CF30BBBA1	1.01	1.05	0.96
ME12BN21	CF42B	0.97	1.06	0.91
ME12BN21	CM30BBBA1	1.01	1.05	0.96
ME12CN21	CF/CM30C	1.01	1.04	0.98
ME14DN21	CF/CM30D	1.01	1.04	0.98
ME14DN21	CF/CM36D	1.01	1.16	0.87
ME14DN21	CF/CM42D	0.96	1.08	0.89

COIL MULTIPLIERS - 2.5 TON

Air Handler	Coil	MBH	COP	KW
ME16CN21	CF/CM30C	1.01	1.06	0.95
ME16CN21	CF/CM36C	1.01	1.18	0.86
ME16CN21	CF/CM42C	0.97	1.04	0.94
MVC08BN21	CF42B	0.97	1.05	0.93
MVC12BN21	CF/CM30B	1.01	1.05	0.97
MVC12BN21	CF/CM36B	0.99	1.04	0.95
MVC12BN21	CF30BBBA1	1.01	1.05	0.97
MVC12BN21	CF42B	0.97	1.05	0.92
MVC12BN21	CM30BBBA1	1.01	1.05	0.97
MVC12CN21	CF/CM30C	1.01	1.06	0.95
MVC12CN21	CF/CM36C	1.01	1.18	0.86
MVC14DN21	CF/CM30D	1.01	1.06	0.95
MVC14DN21	CF/CM36D	0.97	1.07	0.91
MVC14DN21	CF/CM42D	0.96	1.08	0.89
MVC16CN21	CF/CM30C	1.01	1.07	0.94
MVC16CN21	CF/CM36C	0.98	1.08	0.91
MVC16CN21	CF/CM42C	0.95	1.06	0.90

FURNACE MULTIPLIERS - 2.5 TON

Furnaces	Coil	MBH	COP	KW
TL8E060A12UH11	CF/CM/CU30B	1.00	1.01	0.99
TL8E060A12UH11	CF/CM/CU36B	1.00	1.01	0.99
TL8E060A12UH11	CF30BBBA1	1.00	1.01	0.99
TL8E060A12UH11	CF42B	1.01	1.04	0.97
TL8E060A12UH11	CM30BBBA1	1.00	1.01	0.99
TL8E080C16UH11	CF/CM/CU36C	1.01	1.05	0.96
TL8E080C16UH11	CF/CM/CU42C	1.01	1.08	0.94
TL8E080C16UH11	CF/CM30C	1.01	1.04	0.97
TL8E100C20UH11	CF/CM/CU36C	1.01	1.08	0.94
TL8E100C20UH11	CF/CM/CU42C	1.01	1.12	0.91
TL8E100C20UH11	CF/CM30C	1.01	1.08	0.94
TL9E060B12UH11	CF/CM/CU30B	1.00	1.01	0.99
TL9E060B12UH11	CF/CM/CU36B	1.00	1.01	0.99
TL9E060B12UH11	CF/CM/CU36C	1.01	1.01	1.00
TL9E060B12UH11	CF/CM/CU42C	1.01	1.04	0.97
TL9E060B12UH11	CF/CM30C	1.00	1.01	0.99
TL9E060B12UH11	CF30BBBA1	1.00	1.01	0.99
TL9E060B12UH11	CF42B	1.01	1.03	0.98
TL9E060B12UH11	CM30BBBA1	1.00	1.01	0.99
TL9E080C16UH11	CF/CM/CU36C	1.00	1.03	0.97
TL9E080C16UH11	CF/CM/CU42C	1.01	1.06	0.95
TL9E080C16UH11	CF/CM30C	1.00	1.03	0.97
TL9E100C20UH11	CF/CM/CU36C	1.01	1.10	0.92
TL9E100C20UH11	CF/CM/CU42C	1.01	1.13	0.89
TL9E100C20UH11	CF/CM30C	1.01	1.10	0.92
TM8E040A12MP11	CF/CM/CU30A	0.99	0.99	1.00
TM8E040A12MP11	CF/CM/CU30B	1.00	1.02	0.98
TM8E040A12MP11	CF/CM/CU36B	1.00	1.02	0.98
TM8E040A12MP11	CF/CM36A	1.00	1.00	1.00
TM8E040A12MP11	CF30BBBA1	1.00	1.02	0.98
TM8E040A12MP11	CF42B	1.01	1.04	0.97
TM8E040A12MP11	CM30ABBA1	0.99	0.99	1.00
TM8E040A12MP11	CM30BBBA1	1.00	1.02	0.98
TM8E060A12MP11	CF/CM/CU30A	1.00	1.00	1.00
TM8E060A12MP11	CF/CM/CU30B	1.00	1.02	0.98
TM8E060A12MP11	CF/CM/CU36B	1.00	1.02	0.98

FURNACE MULTIPLIERS - 2.5 TON (Continued)

Furnaces	Coil	MBH	COP	KW
TM8E060A12MP11	CF/CM36A	1.00	1.00	1.00
TM8E060A12MP11	CF30BBBA1	1.00	1.02	0.98
TM8E060A12MP11	CF42B	1.01	1.04	0.97
TM8E060A12MP11	CM30ABBA1	1.00	1.00	1.00
TM8E060A12MP11	CM30BBBA1	1.00	1.02	0.98
TM8E080B12MP11	CF/CM/CU30B	1.01	1.03	0.98
TM8E080B12MP11	CF/CM/CU36B	1.00	1.02	0.98
TM8E080B12MP11	CF/CM/CU36C	1.01	1.03	0.98
TM8E080B12MP11	CF/CM/CU42C	1.01	1.06	0.96
TM8E080B12MP11	CF/CM30C	1.01	1.03	0.98
TM8E080B12MP11	CF30BBBA1	1.01	1.03	0.98
TM8E080B12MP11	CF42B	1.01	1.05	0.97
TM8E080B12MP11	CM30BBBA1	1.01	1.03	0.98
TM8E080C16MP11	CF/CM/CU36C	1.01	1.05	0.96
TM8E080C16MP11	CF/CM/CU42C	1.01	1.08	0.94
TM8E080C16MP11	CF/CM30C	1.01	1.05	0.96
TM8E100B12MP11	CF/CM/CU30B	1.01	1.03	0.98
TM8E100B12MP11	CF/CM/CU36B	1.01	1.03	0.98
TM8E100B12MP11	CF/CM/CU36C	1.01	1.04	0.97
TM8E100B12MP11	CF/CM/CU42C	1.01	1.07	0.95
TM8E100B12MP11	CF/CM30C	1.01	1.04	0.97
TM8E100B12MP11	CF30BBBA1	1.01	1.03	0.98
TM8E100B12MP11	CF42B	1.01	1.05	0.97
TM8E100B12MP11	CM30BBBA1	1.01	1.03	0.98
TM8E100C16MP11	CF/CM/CU36C	1.01	1.04	0.97
TM8E100C16MP11	CF/CM/CU42C	1.01	1.07	0.94
TM8E100C16MP11	CF/CM30C	1.01	1.04	0.97
TM8E120C16MP11	CF/CM/CU36C	1.01	1.05	0.96
TM8E120C16MP11	CF/CM/CU42C	1.01	1.09	0.93
TM8E120C16MP11	CF/CM30C	1.01	1.05	0.96
TM8V060A12MP11C	CF/CM/CU30A	1.01	1.01	1.01
TM8V060A12MP11C	CF/CM36A	1.01	1.12	0.91
TM8V060A12MP11C	CM30ABBA1	1.01	1.01	1.01
TM8V060A12MP12C	CF/CM/CU30A	1.01	1.01	1.01
TM8V060A12MP12C	CF/CM36A	1.01	1.12	0.91
TM8V060A12MP12C	CM30ABBA1	1.01	1.01	1.01
TM8V080B12MP11C	CF/CM/CU30B	1.01	1.01	1.01
TM8V080B12MP11C	CF/CM/CU36B	1.01	1.12	0.90
TM8V080B12MP11C	CF30BBBA1	1.01	1.01	1.01
TM8V080B12MP11C	CF42B	0.98	1.03	0.95
TM8V080B12MP11C	CM30BBBA1	1.01	1.01	1.01
TM8V080B12MP12C	CF/CM/CU30B	1.01	1.01	1.01
TM8V080B12MP12C	CF/CM/CU36B	1.01	1.12	0.90
TM8V080B12MP12C	CF30BBBA1	1.01	1.01	1.01
TM8V080B12MP12C	CM30BBBA1	1.01	1.01	1.01
TM8V080C16MP11C	CF/CM/CU36C	1.01	1.16	0.87
TM8V080C16MP11C	CF/CM/CU42C	0.96	1.05	0.92
TM8V080C16MP11C	CF/CM30C	1.01	1.05	0.97
TM8V080C16MP11C	CF/CM36D	1.01	1.16	0.87
TM8V080C16MP12C	CF/CM/CU30C	1.01	1.05	0.97
TM8V080C16MP12C	CF/CM/CU30D	1.01	1.05	0.97
TM8V080C16MP12C	CF/CM/CU36C	1.01	1.16	0.87
TM8V080C16MP12C	CF/CM/CU36D	1.01	1.16	0.87
TM8V080C16MP12C	CF/CM30C	1.01	1.05	0.97
TM8V080C16MP12C	CF/CM36D	1.01	1.16	0.87

FURNACE MULTIPLIERS - 2.5 TON (Continued)

Furnaces	Coil	MBH	COP	KW
TM8V100C16MP11C	CF/CM/CU36C	0.97	1.04	0.94
TM8V100C16MP11C	CF/CM/CU42C	0.96	1.05	0.92
TM8V100C16MP11C	CF/CM30C	1.01	1.05	0.97
TM8V100C16MP11C	CF/CM36D	1.01	1.16	0.87
TM8V100C16MP12C	CF/CM/CU30C	1.01	1.05	0.97
TM8V100C16MP12C	CF/CM/CU30D	1.01	1.05	0.97
TM8V100C16MP12C	CF/CM/CU36C	1.01	1.16	0.87
TM8V100C16MP12C	CF/CM/CU36D	1.01	1.16	0.87
TM8V100C16MP12C	CF/CM30C	1.01	1.05	0.97
TM8V100C16MP12C	CF/CM36D	1.01	1.16	0.87
TM8X060A12MP11	CF/CM/CU30A	1.01	1.02	1.00
TM8X060A12MP11	CF/CM36A	0.99	1.03	0.96
TM8X060A12MP11	CM30ABBA1	1.01	1.02	1.00
TM8X080B12MP11	CF/CM/CU30B	1.01	1.02	0.99
TM8X080B12MP11	CF/CM/CU36B	0.99	1.05	0.94
TM8X080B12MP11	CF30BBBA1	1.01	1.02	0.99
TM8X080B12MP11	CF42B	0.97	1.05	0.93
TM8X080B12MP11	CM30BBBA1	1.01	1.02	0.99
TM8X080C16MP11	CF/CM/CU30C	1.01	1.06	0.95
TM8X080C16MP11	CF/CM/CU30D	1.01	1.07	0.94
TM8X080C16MP11	CF/CM/CU36C	1.01	1.18	0.86
TM8X080C16MP11	CF/CM/CU42C	0.97	1.06	0.91
TM8X080C16MP11	CF/CM30C	1.01	1.06	0.95
TM8X080C16MP11	CF/CM36D	0.98	1.05	0.93
TM8X080C16MP11	CF/CM36D	0.98	1.05	0.93
TM8X080C16MP11	CF/CM42D	0.97	1.06	0.91
TM8X100C16MP11	CF/CM/CU30C	1.01	1.06	0.95
TM8X100C16MP11	CF/CM/CU30D	1.01	1.07	0.94
TM8X100C16MP11	CF/CM/CU36C	0.98	1.05	0.93
TM8X100C16MP11	CF/CM/CU42C	0.97	1.06	0.91
TM8X100C16MP11	CF/CM30C	1.01	1.06	0.95
TM8X100C16MP11	CF/CM36D	0.98	1.05	0.93
TM8X100C16MP11	CF/CM36D	0.98	1.05	0.93
TM8X100C16MP11	CF/CM42D	0.97	1.06	0.91
TM8X100C20MP11	CF/CM/CU30C	1.01	1.07	0.95
TM8X100C20MP11	CF/CM/CU30D	1.01	1.07	0.95
TM8X100C20MP11	CF/CM/CU36C	1.01	1.20	0.85
TM8X100C20MP11	CF/CM/CU42C	0.97	1.06	0.91
TM8X100C20MP11	CF/CM30C	1.01	1.07	0.95
TM8X100C20MP11	CF/CM36D	0.98	1.05	0.93
TM8X100C20MP11	CF/CM36D	0.98	1.05	0.93
TM8X100C20MP11	CF/CM42D	0.97	1.06	0.91
TM8X120C20MP11	CF/CM/CU30C	1.01	1.07	0.95
TM8X120C20MP11	CF/CM/CU30D	1.01	1.07	0.95
TM8X120C20MP11	CF/CM/CU36C	0.98	1.05	0.93
TM8X120C20MP11	CF/CM/CU42C	0.97	1.06	0.91
TM8X120C20MP11	CF/CM30C	1.01	1.07	0.95
TM8X120C20MP11	CF/CM36D	0.98	1.05	0.93
TM8X120C20MP11	CF/CM36D	0.98	1.05	0.93
TM8X120C20MP11	CF/CM42D	0.97	1.06	0.91
TM8Y060A12MP11	CF/CM/CU30A	1.01	1.02	1.00
TM8Y060A12MP11	CF/CM36A	1.01	1.13	0.90
TM8Y060A12MP11	CM30ABBA1	1.01	1.02	1.00
TM8Y080B12MP11	CF/CM/CU30B	1.01	1.02	0.99
TM8Y080B12MP11	CF/CM/CU36B	1.01	1.14	0.89

FURNACE MULTIPLIERS - 2.5 TON (Continued)

Furnaces	Coil	MBH	COP	KW
TM8Y080B12MP11	CF30BBBA1	1.01	1.02	0.99
TM8Y080B12MP11	CF42B	0.97	1.05	0.93
TM8Y080B12MP11	CM30BBBA1	1.01	1.02	0.99
TM8Y080C16MP11	CF/CM/CU30C	1.01	1.06	0.95
TM8Y080C16MP11	CF/CM/CU30D	1.01	1.07	0.94
TM8Y080C16MP11	CF/CM/CU36C	1.01	1.18	0.86
TM8Y080C16MP11	CF/CM/CU42C	0.97	1.06	0.91
TM8Y080C16MP11	CF/CM30C	1.01	1.06	0.95
TM8Y080C16MP11	CF/CM36D	0.98	1.05	0.93
TM8Y080C16MP11	CF/CM36D	0.98	1.05	0.93
TM8Y080C16MP11	CF/CM42D	0.97	1.06	0.91
TM8Y100C16MP11	CF/CM/CU30C	1.01	1.06	0.95
TM8Y100C16MP11	CF/CM/CU30D	1.01	1.07	0.94
TM8Y100C16MP11	CF/CM/CU36C	0.98	1.05	0.93
TM8Y100C16MP11	CF/CM/CU42C	0.97	1.06	0.91
TM8Y100C16MP11	CF/CM30C	1.01	1.06	0.95
TM8Y100C16MP11	CF/CM36D	0.98	1.05	0.93
TM8Y100C16MP11	CF/CM36D	0.98	1.05	0.93
TM8Y100C16MP11	CF/CM42D	0.97	1.06	0.91
TM8Y100C20MP11	CF/CM/CU30C	1.01	1.07	0.95
TM8Y100C20MP11	CF/CM/CU30D	1.01	1.07	0.95
TM8Y100C20MP11	CF/CM/CU36C	1.01	1.20	0.85
TM8Y100C20MP11	CF/CM/CU42C	0.97	1.06	0.91
TM8Y100C20MP11	CF/CM30C	1.01	1.07	0.95
TM8Y100C20MP11	CF/CM36D	0.98	1.05	0.93
TM8Y100C20MP11	CF/CM36D	0.98	1.05	0.93
TM8Y100C20MP11	CF/CM42D	0.97	1.06	0.91
TM8Y120C20MP11	CF/CM/CU30C	1.01	1.07	0.95
TM8Y120C20MP11	CF/CM/CU30D	1.01	1.07	0.95
TM8Y120C20MP11	CF/CM/CU36C	0.98	1.05	0.93
TM8Y120C20MP11	CF/CM/CU42C	0.97	1.06	0.91
TM8Y120C20MP11	CF/CM30C	1.01	1.07	0.95
TM8Y120C20MP11	CF/CM36D	0.98	1.05	0.93
TM8Y120C20MP11	CF/CM36D	0.98	1.05	0.93
TM8Y120C20MP11	CF/CM42D	0.97	1.06	0.91
TM9E040A10MP11	CF/CM36A	0.99	1.00	0.99
TM9E040A10MP12	CF/CM/CU30A	1.01	0.97	1.03
TM9E040A10MP12	CF/CM/CU30B	1.01	0.98	1.02
TM9E040A10MP12	CF/CM/CU36B	1.01	0.98	1.02
TM9E040A10MP12	CF/CM36A	1.01	0.97	1.03
TM9E040A10MP12	CF30BBBA1	1.01	0.98	1.02
TM9E040A10MP12	CF42B	1.01	1.02	1.00
TM9E040A10MP12	CM30ABBA1	1.01	0.97	1.03
TM9E040A10MP12	CM30BBBA1	1.01	0.98	1.02
TM9E060A10MP12	CF/CM/CU30A	1.01	0.98	1.02
TM9E060A10MP12	CF/CM/CU30B	1.01	1.01	1.00
TM9E060A10MP12	CF/CM/CU36B	1.01	1.01	1.00
TM9E060A10MP12	CF/CM36A	1.00	0.98	1.02
TM9E060A10MP12	CF30BBBA1	1.01	1.01	1.00
TM9E060A10MP12	CF42B	1.01	1.03	0.99
TM9E060A10MP12	CM30ABBA1	1.01	0.98	1.02
TM9E060A10MP12	CM30BBBA1	1.01	1.01	1.00
TM9E060B12MP11	CF/CM/CU36B	0.98	1.03	0.95
TM9E060B12MP11	CF42B	0.96	1.03	0.93
TM9E060B12MP12	CF/CM/CU30B	1.01	1.02	1.00

FURNACE MULTIPLIERS - 2.5 TON (Continued)

Furnaces	Coil	MBH	COP	KW
TM9E060B12MP12	CF/CM/CU36B	1.01	1.02	1.00
TM9E060B12MP12	CF/CM/CU36C	1.01	1.03	0.99
TM9E060B12MP12	CF/CM/CU42C	1.01	1.06	0.96
TM9E060B12MP12	CF/CM30C	1.01	1.03	0.99
TM9E060B12MP12	CF30BBBA1	1.01	1.02	1.00
TM9E060B12MP12	CF42B	1.01	1.05	0.97
TM9E060B12MP12	CM30BBBA1	1.01	1.02	1.00
TM9E080B12MP11	CF/CM/CU30B	1.01	1.03	0.98
TM9E080B12MP11	CF/CM/CU36B	1.01	1.14	0.89
TM9E080B12MP11	CF30BBBA1	1.01	1.03	0.98
TM9E080B12MP11	CF42B	0.96	1.03	0.93
TM9E080B12MP11	CM30BBBA1	1.01	1.03	0.98
TM9E080B12MP12	CF/CM/CU30B	1.01	1.03	0.98
TM9E080B12MP12	CF/CM/CU36B	1.01	1.03	0.98
TM9E080B12MP12	CF/CM/CU36C	1.01	1.04	0.98
TM9E080B12MP12	CF/CM/CU42C	1.01	1.07	0.95
TM9E080B12MP12	CF/CM30C	1.01	1.04	0.98
TM9E080B12MP12	CF30BBBA1	1.01	1.03	0.98
TM9E080B12MP12	CF42B	1.01	1.06	0.96
TM9E080B12MP12	CM30BBBA1	1.01	1.03	0.98
TM9E080C16MP11	CF/CM/CU36C	0.99	1.04	0.95
TM9E080C16MP11	CF/CM/CU42C	0.97	1.04	0.93
TM9E080C16MP11	CF/CM36D	0.99	1.04	0.95
TM9E080C16MP11	CF/CM42D	0.97	1.05	0.93
TM9E080C16MP12	CF/CM/CU36C	1.01	1.07	0.95
TM9E080C16MP12	CF/CM/CU42C	1.01	1.05	0.96
TM9E080C16MP12	CF/CM30C	1.00	1.02	0.98
TM9E100C16MP11	CF/CM/CU30C	1.01	1.06	0.96
TM9E100C16MP11	CF/CM/CU30D	1.01	1.06	0.96
TM9E100C16MP11	CF/CM/CU36C	1.01	1.18	0.86
TM9E100C16MP11	CF/CM/CU42C	0.97	1.04	0.93
TM9E100C16MP11	CF/CM30C	1.01	1.06	0.96
TM9E100C16MP11	CF/CM36D	0.99	1.04	0.95
TM9E100C16MP11	CF/CM36D	0.99	1.04	0.95
TM9E100C16MP11	CF/CM42D	0.97	1.05	0.93
TM9E100C16MP12	CF/CM/CU36C	1.01	1.04	0.97
TM9E100C16MP12	CF/CM/CU42C	1.01	1.07	0.95
TM9E100C16MP12	CF/CM30C	1.01	1.04	0.97
TM9E100C20MP11	CF/CM/CU36C	0.98	1.06	0.93
TM9E100C20MP11	CF/CM/CU42C	0.97	1.07	0.90
TM9E100C20MP11	CF/CM36D	0.98	1.06	0.92
TM9E100C20MP11	CF/CM42D	0.97	1.07	0.90
TM9E100C20MP12	CF/CM/CU36C	1.04	1.12	0.93
TM9E100C20MP12	CF/CM30C	1.04	1.11	0.94
TM9E120D20MP11	CF/CM/CU30D	1.01	1.07	0.94
TM9E120D20MP11	CF/CM36D	0.97	1.07	0.91
TM9E120D20MP11	CF/CM36D	0.97	1.07	0.91
TM9E120D20MP11	CF/CM42D	0.96	1.08	0.89
TM9V060B12MP11C	CF/CM/CU36B	0.98	1.04	0.94
TM9V060B12MP11C	CF42B	0.97	1.04	0.93
TM9V060B12MP12C	CF/CM/CU30B	1.01	1.03	0.99
TM9V060B12MP12C	CF/CM/CU36B	1.01	1.13	0.89
TM9V060B12MP12C	CF30BBBA1	1.01	1.03	0.99
TM9V060B12MP12C	CM30BBBA1	1.01	1.03	0.99
TM9V080B12MP11C	CF/CM/CU30B	1.01	1.02	1.00

FURNACE MULTIPLIERS - 2.5 TON (Continued)

Furnaces	Coil	MBH	COP	KW
TM9V080B12MP11C	CF/CM/CU36B	1.01	1.13	0.90
TM9V080B12MP11C	CF30BBBA1	1.01	1.02	1.00
TM9V080B12MP11C	CF42B	0.97	1.04	0.93
TM9V080B12MP11C	CM30BBBA1	1.01	1.02	1.00
TM9V080B12MP12C	CF/CM/CU30B	1.01	1.02	1.00
TM9V080B12MP12C	CF/CM/CU36B	1.01	1.14	0.89
TM9V080B12MP12C	CF30BBBA1	1.01	1.02	1.00
TM9V080B12MP12C	CM30BBBA1	1.01	1.02	1.00
TM9V080C16MP11C	CF/CM/CU36C	1.01	1.17	0.87
TM9V080C16MP11C	CF/CM/CU42C	0.97	1.06	0.91
TM9V080C16MP11C	CF/CM30C	1.01	1.05	0.96
TM9V080C16MP11C	CF/CM36D	1.01	1.18	0.86
TM9V080C16MP12C	CF/CM/CU30C	1.01	1.05	0.96
TM9V080C16MP12C	CF/CM/CU30D	1.01	1.06	0.96
TM9V080C16MP12C	CF/CM/CU36C	1.01	1.17	0.87
TM9V080C16MP12C	CF/CM/CU36D	1.01	1.18	0.86
TM9V080C16MP12C	CF/CM30C	1.01	1.05	0.96
TM9V080C16MP12C	CF/CM36D	1.01	1.18	0.86
TM9V100C16MP11C	CF/CM/CU36C	0.98	1.06	0.93
TM9V100C16MP11C	CF/CM/CU42C	0.97	1.06	0.91
TM9V100C16MP11C	CF/CM30C	1.01	1.05	0.97
TM9V100C16MP11C	CF/CM36D	1.01	1.17	0.87
TM9V100C16MP12C	CF/CM/CU30C	1.01	1.05	0.97
TM9V100C16MP12C	CF/CM/CU30D	1.01	1.05	0.96
TM9V100C16MP12C	CF/CM/CU36C	1.01	1.17	0.87
TM9V100C16MP12C	CF/CM/CU36D	1.01	1.17	0.87
TM9V100C16MP12C	CF/CM30C	1.01	1.05	0.97
TM9V100C16MP12C	CF/CM36D	1.01	1.17	0.87
TM9V100C20MP11C	CF/CM/CU36C	1.01	1.19	0.85
TM9V100C20MP11C	CF/CM36D	1.01	1.19	0.85
TM9V100C20MP12C	CF/CM/CU30D	1.01	1.09	0.93
TM9V100C20MP12C	CF/CM/CU36C	1.01	1.19	0.85
TM9V100C20MP12C	CF/CM/CU36D	1.01	1.19	0.85
TM9V100C20MP12C	CF/CM36D	1.01	1.19	0.85
TM9V100C20MP12C	CF/CM36D	1.01	1.19	0.85
TM9V120D20MP11C	CF/CM36D	1.01	1.21	0.84
TM9V120D20MP12C	CF/CM/CU30D	1.01	1.09	0.93
TM9V120D20MP12C	CF/CM/CU36D	1.01	1.21	0.84
TM9V120D20MP12C	CF/CM36D	1.01	1.21	0.84
TM9Y040A10MP11	CF/CM36A	0.99	1.00	0.99
TM9Y060B12MP11	CF/CM/CU36B	0.98	1.03	0.95
TM9Y060B12MP11	CF42B	0.96	1.03	0.93
TM9Y080B12MP11	CF/CM/CU30B	1.01	1.03	0.98
TM9Y080B12MP11	CF/CM/CU36B	1.01	1.14	0.89
TM9Y080B12MP11	CF30BBBA1	1.01	1.03	0.98
TM9Y080B12MP11	CF42B	0.96	1.03	0.93
TM9Y080B12MP11	CM30BBBA1	1.01	1.03	0.98
TM9Y080C16MP11	CF/CM/CU36C	0.99	1.04	0.95
TM9Y080C16MP11	CF/CM/CU42C	0.97	1.04	0.93
TM9Y080C16MP11	CF/CM36D	0.99	1.04	0.95
TM9Y080C16MP11	CF/CM42D	0.97	1.05	0.93
TM9Y100C16MP11	CF/CM/CU30C	1.01	1.06	0.96
TM9Y100C16MP11	CF/CM/CU30D	1.01	1.06	0.96
TM9Y100C16MP11	CF/CM/CU36C	1.01	1.18	0.86
TM9Y100C16MP11	CF/CM/CU42C	0.97	1.04	0.93
TM9Y100C16MP11	CF/CM30C	1.01	1.06	0.96

FURNACE MULTIPLIERS - 2.5 TON (Continued)

Furnaces	Coil	MBH	COP	KW
TM9Y100C16MP11	CF/CM36D	0.99	1.04	0.95
TM9Y100C16MP11	CF/CM36D	0.99	1.04	0.95
TM9Y100C16MP11	CF/CM42D	0.97	1.05	0.93
TM9Y100C20MP11	CF/CM/CU36C	0.98	1.06	0.93
TM9Y100C20MP11	CF/CM/CU42C	0.97	1.07	0.90
TM9Y100C20MP11	CF/CM36D	0.98	1.06	0.92
TM9Y100C20MP11	CF/CM42D	0.97	1.07	0.90
TM9Y120D20MP11	CF/CM/CU30D	1.01	1.07	0.94
TM9Y120D20MP11	CF/CM36D	0.97	1.07	0.91
TM9Y120D20MP11	CF/CM36D	0.97	1.07	0.91
TM9Y120D20MP11	CF/CM42D	0.96	1.08	0.89
TMLE040A12MP11	CF/CM/CU30A	0.99	0.99	1.00
TMLE040A12MP11	CF/CM/CU30B	1.00	1.02	0.98
TMLE040A12MP11	CF/CM/CU36B	1.00	1.02	0.98
TMLE040A12MP11	CF/CM36A	1.00	1.00	1.00
TMLE040A12MP11	CF30BBBA1	1.00	1.02	0.98
TMLE040A12MP11	CF42B	1.01	1.04	0.97
TMLE040A12MP11	CM30ABBA1	0.99	0.99	1.00
TMLE040A12MP11	CM30BBBA1	1.00	1.02	0.98
TMLE060A12MP11	CF/CM/CU30A	1.00	1.00	1.00
TMLE060A12MP11	CF/CM/CU30B	1.00	1.02	0.98
TMLE060A12MP11	CF/CM/CU36B	1.00	1.02	0.98
TMLE060A12MP11	CF/CM36A	1.00	1.00	1.00
TMLE060A12MP11	CF30BBBA1	1.00	1.02	0.98
TMLE060A12MP11	CF42B	1.01	1.04	0.97
TMLE060A12MP11	CM30ABBA1	1.00	1.00	1.00
TMLE060A12MP11	CM30BBBA1	1.00	1.02	0.98
TMLE080B12MP11	CF/CM/CU30B	1.01	1.03	0.98
TMLE080B12MP11	CF/CM/CU36B	1.00	1.02	0.98
TMLE080B12MP11	CF/CM/CU36C	1.01	1.03	0.98
TMLE080B12MP11	CF/CM/CU42C	1.01	1.06	0.96
TMLE080B12MP11	CF/CM30C	1.01	1.03	0.98
TMLE080B12MP11	CF30BBBA1	1.01	1.03	0.98
TMLE080B12MP11	CF42B	1.01	1.05	0.97
TMLE080B12MP11	CM30BBBA1	1.01	1.03	0.98
TMLE080C16MP11	CF/CM/CU36C	1.01	1.05	0.96
TMLE080C16MP11	CF/CM/CU42C	1.01	1.08	0.94
TMLE080C16MP11	CF/CM30C	1.01	1.05	0.96
TMLE100B12MP11	CF/CM/CU30B	1.01	1.03	0.98
TMLE100B12MP11	CF/CM/CU36B	1.01	1.03	0.98
TMLE100B12MP11	CF/CM/CU36C	1.01	1.04	0.97
TMLE100B12MP11	CF/CM/CU42C	1.01	1.07	0.95
TMLE100B12MP11	CF/CM30C	1.01	1.04	0.97
TMLE100B12MP11	CF30BBBA1	1.01	1.03	0.98
TMLE100B12MP11	CF42B	1.01	1.05	0.97
TMLE100B12MP11	CM30BBBA1	1.01	1.03	0.98
TMLE100C16MP11	CF/CM/CU36C	1.01	1.04	0.97
TMLE100C16MP11	CF/CM/CU42C	1.01	1.07	0.94
TMLE100C16MP11	CF/CM30C	1.01	1.04	0.97
TMLE120C16MP11	CF/CM/CU36C	1.01	1.05	0.96
TMLE120C16MP11	CF/CM/CU42C	1.01	1.09	0.93
TMLE120C16MP11	CF/CM30C	1.01	1.05	0.96
TMLV060A12MP11C	CF/CM/CU30A	1.01	1.01	1.01
TMLV060A12MP11C	CF/CM36A	1.01	1.12	0.91
TMLV060A12MP11C	CM30ABBA1	1.01	1.01	1.01

FURNACE MULTIPLIERS - 2.5 TON (Continued)

Furnaces	Coil	MBH	COP	KW
TMLV060A12MP12C	CF/CM/CU30A	1.01	1.01	1.01
TMLV060A12MP12C	CF/CM36A	1.01	1.12	0.91
TMLV060A12MP12C	CM30ABBA1	1.01	1.01	1.01
TMLV080B12MP11C	CF/CM/CU30B	1.01	1.01	1.01
TMLV080B12MP11C	CF/CM/CU36B	1.01	1.12	0.90
TMLV080B12MP11C	CF30BBBA1	1.01	1.01	1.01
TMLV080B12MP11C	CF42B	0.98	1.03	0.95
TMLV080B12MP11C	CM30BBBA1	1.01	1.01	1.01
TMLV080B12MP12C	CF/CM/CU30B	1.01	1.01	1.01
TMLV080B12MP12C	CF/CM/CU36B	1.01	1.12	0.90
TMLV080B12MP12C	CF30BBBA1	1.01	1.01	1.01
TMLV080B12MP12C	CM30BBBA1	1.01	1.01	1.01
TMLV080C16MP11C	CF/CM/CU36C	1.01	1.16	0.87
TMLV080C16MP11C	CF/CM/CU42C	0.96	1.05	0.92
TMLV080C16MP11C	CF/CM30C	1.01	1.05	0.97
TMLV080C16MP11C	CF/CM36D	1.01	1.16	0.87
TMLV080C16MP12C	CF/CM/CU30C	1.01	1.05	0.97
TMLV080C16MP12C	CF/CM/CU30D	1.01	1.05	0.97
TMLV080C16MP12C	CF/CM/CU36C	1.01	1.16	0.87
TMLV080C16MP12C	CF/CM/CU36D	1.01	1.16	0.87
TMLV080C16MP12C	CF/CM30C	1.01	1.05	0.97
TMLV080C16MP12C	CF/CM36D	1.01	1.16	0.87
TMLV100C16MP11C	CF/CM/CU36C	0.97	1.04	0.94
TMLV100C16MP11C	CF/CM/CU42C	0.96	1.05	0.92
TMLV100C16MP11C	CF/CM30C	1.01	1.05	0.97
TMLV100C16MP11C	CF/CM36D	1.01	1.16	0.87
TMLV100C16MP12C	CF/CM/CU30C	1.01	1.05	0.97
TMLV100C16MP12C	CF/CM/CU30D	1.01	1.05	0.97
TMLV100C16MP12C	CF/CM/CU36C	1.01	1.16	0.87
TMLV100C16MP12C	CF/CM/CU36D	1.01	1.16	0.87
TMLV100C16MP12C	CF/CM30C	1.01	1.05	0.97
TMLV100C16MP12C	CF/CM36D	1.01	1.16	0.87
TMLX060A12MP11	CF/CM/CU30A	1.01	1.02	1.00
TMLX060A12MP11	CF/CM36A	0.99	1.03	0.96
TMLX060A12MP11	CM30ABBA1	1.01	1.02	1.00
TMLX080B12MP11	CF/CM/CU30B	1.01	1.02	0.99
TMLX080B12MP11	CF/CM/CU36B	1.01	1.14	0.89
TMLX080B12MP11	CF30BBBA1	1.01	1.02	0.99
TMLX080B12MP11	CF42B	0.97	1.05	0.93
TMLX080B12MP11	CM30BBBA1	1.01	1.02	0.99
TMLX080C16MP11	CF/CM/CU30C	1.01	1.06	0.95
TMLX080C16MP11	CF/CM/CU30D	1.01	1.07	0.94
TMLX080C16MP11	CF/CM/CU36C	1.01	1.18	0.86
TMLX080C16MP11	CF/CM/CU42C	0.97	1.06	0.91
TMLX080C16MP11	CF/CM30C	1.01	1.06	0.95
TMLX080C16MP11	CF/CM36D	0.98	1.05	0.93
TMLX080C16MP11	CF/CM36D	0.98	1.05	0.93
TMLX080C16MP11	CF/CM42D	0.97	1.06	0.91
TMLX100C16MP11	CF/CM/CU30C	1.01	1.06	0.95
TMLX100C16MP11	CF/CM/CU30D	1.01	1.07	0.94
TMLX100C16MP11	CF/CM/CU36C	0.98	1.05	0.93
TMLX100C16MP11	CF/CM/CU42C	0.97	1.06	0.91
TMLX100C16MP11	CF/CM30C	1.01	1.06	0.95
TMLX100C16MP11	CF/CM36D	0.98	1.05	0.93
TMLX100C16MP11	CF/CM36D	0.98	1.05	0.93

FURNACE MULTIPLIERS - 2.5 TON (Continued)

Furnaces	Coil	MBH	COP	KW
TMLX100C16MP11	CF/CM42D	0.97	1.06	0.91
TMLX100C20MP11	CF/CM/CU30C	1.01	1.07	0.95
TMLX100C20MP11	CF/CM/CU30D	1.01	1.07	0.95
TMLX100C20MP11	CF/CM/CU36C	1.01	1.20	0.85
TMLX100C20MP11	CF/CM/CU42C	0.97	1.06	0.91
TMLX100C20MP11	CF/CM30C	1.01	1.07	0.95
TMLX100C20MP11	CF/CM36D	0.98	1.05	0.93
TMLX100C20MP11	CF/CM36D	0.98	1.05	0.93
TMLX100C20MP11	CF/CM42D	0.97	1.06	0.91
TMLX120C20MP11	CF/CM/CU30C	1.01	1.07	0.95
TMLX120C20MP11	CF/CM/CU30D	1.01	1.07	0.95
TMLX120C20MP11	CF/CM/CU36C	0.98	1.05	0.93
TMLX120C20MP11	CF/CM/CU42C	0.97	1.06	0.91
TMLX120C20MP11	CF/CM30C	1.01	1.07	0.95
TMLX120C20MP11	CF/CM36D	0.98	1.05	0.93
TMLX120C20MP11	CF/CM36D	0.98	1.05	0.93
TMLX120C20MP11	CF/CM42D	0.97	1.06	0.91
TP9C060B12MP12C	CF/CM/CU36B	0.98	1.04	0.94
TP9C060B12MP12C	CF42B	0.97	1.04	0.93
TP9C060B12MP13C	CF/CM/CU30B	1.01	1.03	0.99
TP9C060B12MP13C	CF/CM/CU36B	1.01	1.13	0.89
TP9C060B12MP13C	CF30BBBA1	1.01	1.03	0.99
TP9C060B12MP13C	CM30BBBA1	1.01	1.03	0.99
TP9C080B12MP12C	CF/CM/CU30B	1.01	1.02	1.00
TP9C080B12MP12C	CF/CM/CU36B	1.01	1.13	0.90
TP9C080B12MP12C	CF30BBBA1	1.01	1.02	1.00
TP9C080B12MP12C	CF42B	0.97	1.04	0.93
TP9C080B12MP12C	CM30BBBA1	1.01	1.02	1.00
TP9C080B12MP13C	CF/CM/CU30B	1.01	1.02	1.00
TP9C080B12MP13C	CF/CM/CU36B	1.01	1.13	0.90
TP9C080B12MP13C	CF30BBBA1	1.01	1.02	1.00
TP9C080B12MP13C	CM30BBBA1	1.01	1.02	1.00
TP9C080C16MP12C	CF/CM/CU36C	0.98	1.06	0.93
TP9C080C16MP12C	CF/CM/CU42C	0.97	1.06	0.91
TP9C080C16MP13C	CF/CM/CU30C	1.01	1.05	0.96
TP9C080C16MP13C	CF/CM/CU30D	1.01	1.06	0.96
TP9C080C16MP13C	CF/CM/CU36C	1.01	1.17	0.87
TP9C080C16MP13C	CF/CM/CU36D	1.01	1.18	0.86
TP9C080C16MP13C	CF/CM30C	1.01	1.05	0.96
TP9C080C16MP13C	CF/CM36D	1.01	1.18	0.86
TP9C100C16MP12C	CF/CM/CU36C	1.01	1.17	0.87
TP9C100C16MP12C	CF/CM/CU42C	0.97	1.06	0.91
TP9C100C16MP12C	CF/CM30C	1.01	1.05	0.97
TP9C100C16MP12C	CF/CM36D	1.01	1.17	0.87
TP9C100C16MP13C	CF/CM/CU30C	1.01	1.05	0.97
TP9C100C16MP13C	CF/CM/CU30D	1.01	1.05	0.96
TP9C100C16MP13C	CF/CM/CU36C	1.01	1.17	0.87
TP9C100C16MP13C	CF/CM/CU36D	1.01	1.17	0.87
TP9C100C16MP13C	CF/CM30C	1.01	1.05	0.97
TP9C100C16MP13C	CF/CM36D	1.01	1.17	0.87
TP9C100C20MP12C	CF/CM/CU36C	0.99	1.06	0.93
TP9C100C20MP12C	CF/CM36D	1.01	1.19	0.85
TP9C100C20MP13C	CF/CM/CU30D	1.01	1.09	0.93
TP9C100C20MP13C	CF/CM/CU36C	1.01	1.19	0.85
TP9C100C20MP13C	CF/CM/CU36D	1.01	1.19	0.85

FURNACE MULTIPLIERS - 2.5 TON (Continued)

Furnaces	Coil	MBH	COP	KW
TP9C100C20MP13C	CF/CM36D	1.01	1.19	0.85
TP9C120D20MP12C	CF/CM36D	0.98	1.10	0.89
TP9C120D20MP12C	CF/CM42D	0.98	1.08	0.91
TP9C120D20MP13C	CF/CM/CU30D	1.01	1.09	0.93
TP9C120D20MP13C	CF/CM/CU36D	1.01	1.21	0.84
TP9C120D20MP13C	CF/CM36D	1.01	1.21	0.84
TPLC060A12MP12C	CF/CM/CU30A	1.01	1.01	1.01
TPLC060A12MP12C	CF/CM36A	1.01	1.12	0.91
TPLC060A12MP12C	CM30ABBA1	1.01	1.01	1.01
TPLC060A12MP13C	CF/CM/CU30A	1.01	1.01	1.01
TPLC060A12MP13C	CF/CM36A	1.01	1.12	0.91
TPLC060A12MP13C	CM30ABBA1	1.01	1.01	1.01
TPLC080B12MP12C	CF/CM/CU30B	1.01	1.01	1.01
TPLC080B12MP12C	CF/CM/CU36B	1.01	1.12	0.90
TPLC080B12MP12C	CF30BBBA1	1.01	1.01	1.01
TPLC080B12MP12C	CF42B	0.98	1.03	0.95
TPLC080B12MP12C	CM30BBBA1	1.01	1.01	1.01
TPLC080B12MP13C	CF/CM/CU30B	1.01	1.01	1.01
TPLC080B12MP13C	CF/CM/CU36B	1.01	1.12	0.90
TPLC080B12MP13C	CF30BBBA1	1.01	1.01	1.01
TPLC080B12MP13C	CM30BBBA1	1.01	1.01	1.01
TPLC080C16MP12C	CF/CM/CU36C	1.01	1.16	0.87
TPLC080C16MP12C	CF/CM/CU42C	0.96	1.05	0.92
TPLC080C16MP12C	CF/CM30C	1.01	1.05	0.97
TPLC080C16MP12C	CF/CM36D	1.01	1.16	0.87
TPLC080C16MP13C	CF/CM/CU30C	1.01	1.05	0.97
TPLC080C16MP13C	CF/CM/CU30D	1.01	1.05	0.97
TPLC080C16MP13C	CF/CM/CU36C	1.01	1.16	0.87
TPLC080C16MP13C	CF/CM/CU36D	1.01	1.16	0.87
TPLC080C16MP13C	CF/CM30C	1.01	1.05	0.97
TPLC080C16MP13C	CF/CM36D	1.01	1.16	0.87
TPLC100C16MP12C	CF/CM/CU36C	0.97	1.04	0.94
TPLC100C16MP12C	CF/CM/CU42C	0.96	1.05	0.92
TPLC100C16MP12C	CF/CM30C	1.01	1.05	0.97
TPLC100C16MP12C	CF/CM36D	1.01	1.16	0.87
TPLC100C16MP13C	CF/CM/CU30C	1.01	1.05	0.97
TPLC100C16MP13C	CF/CM/CU30D	1.01	1.05	0.97
TPLC100C16MP13C	CF/CM/CU36C	1.01	1.16	0.87
TPLC100C16MP13C	CF/CM/CU36D	1.01	1.16	0.87
TPLC100C16MP13C	CF/CM30C	1.01	1.05	0.97
TPLC100C16MP13C	CF/CM36D	1.01	1.16	0.87
YP9C060B12MP12C	CF/CM/CU36B	0.98	1.04	0.94
YP9C060B12MP12C	CF42B	0.97	1.04	0.93
YP9C060B12MP13C	CF/CM/CU30B	1.01	1.03	0.99
YP9C060B12MP13C	CF/CM/CU36B	1.01	1.13	0.89
YP9C060B12MP13C	CF30BBBA1	1.01	1.03	0.99
YP9C060B12MP13C	CM30BBBA1	1.01	1.03	0.99
YP9C080B12MP12C	CF/CM/CU30B	1.01	1.02	1.00
YP9C080B12MP12C	CF/CM/CU36B	1.01	1.14	0.89
YP9C080B12MP12C	CF30BBBA1	1.01	1.02	1.00
YP9C080B12MP12C	CF42B	0.97	1.04	0.93
YP9C080B12MP12C	CM30BBBA1	1.01	1.02	1.00
YP9C080B12MP13C	CF/CM/CU30B	1.01	1.02	1.00
YP9C080B12MP13C	CF/CM/CU36B	1.01	1.14	0.89
YP9C080B12MP13C	CF30BBBA1	1.01	1.02	1.00

FURNACE MULTIPLIERS - 2.5 TON (Continued)

Furnaces	Coil	MBH	COP	KW
YP9C080B12MP13C	CM30BBBA1	1.01	1.02	1.00
YP9C080C16MP12C	CF/CM/CU36C	0.98	1.06	0.93
YP9C080C16MP12C	CF/CM/CU42C	0.97	1.06	0.91
YP9C080C16MP13C	CF/CM/CU30C	1.01	1.05	0.96
YP9C080C16MP13C	CF/CM/CU30D	1.01	1.06	0.96
YP9C080C16MP13C	CF/CM/CU36C	1.01	1.17	0.87
YP9C080C16MP13C	CF/CM/CU36D	1.01	1.18	0.86
YP9C080C16MP13C	CF/CM30C	1.01	1.05	0.96
YP9C080C16MP13C	CF/CM36D	1.01	1.18	0.86
YP9C100C16MP12C	CF/CM/CU36C	1.01	1.17	0.87
YP9C100C16MP12C	CF/CM/CU42C	0.97	1.06	0.91
YP9C100C16MP12C	CF/CM30C	1.01	1.05	0.97
YP9C100C16MP12C	CF/CM36D	1.01	1.17	0.87
YP9C100C16MP13C	CF/CM/CU30C	1.01	1.05	0.97
YP9C100C16MP13C	CF/CM/CU30D	1.01	1.05	0.96
YP9C100C16MP13C	CF/CM/CU36C	1.01	1.17	0.87
YP9C100C16MP13C	CF/CM/CU36D	1.01	1.17	0.87
YP9C100C16MP13C	CF/CM30C	1.01	1.05	0.97
YP9C100C16MP13C	CF/CM36D	1.01	1.17	0.87
YP9C100C20MP12C	CF/CM/CU36C	0.99	1.06	0.93
YP9C100C20MP12C	CF/CM36D	1.01	1.19	0.85
YP9C100C20MP13C	CF/CM/CU30D	1.01	1.09	0.93
YP9C100C20MP13C	CF/CM/CU36C	1.01	1.19	0.85
YP9C100C20MP13C	CF/CM/CU36D	1.01	1.19	0.85
YP9C100C20MP13C	CF/CM36D	1.01	1.19	0.85
YP9C120D20MP12C	CF/CM36D	0.98	1.10	0.89
YP9C120D20MP12C	CF/CM42D	0.98	1.08	0.91
YP9C120D20MP13C	CF/CM/CU30D	1.01	1.09	0.93
YP9C120D20MP13C	CF/CM/CU36D	1.01	1.21	0.84
YP9C120D20MP13C	CF/CM36D	1.01	1.21	0.84
YPLC060A12MP12C	CF/CM/CU30A	1.01	1.01	1.01
YPLC060A12MP12C	CF/CM36A	1.01	1.12	0.91
YPLC060A12MP12C	CM30ABBA1	1.01	1.01	1.01
YPLC060A12MP13C	CF/CM/CU30A	1.01	1.01	1.01

FURNACE MULTIPLIERS - 2.5 TON (Continued)

Furnaces	Coil	MBH	COP	KW
YPLC060A12MP13C	CF/CM36A	1.01	1.12	0.91
YPLC060A12MP13C	CM30ABBA1	1.01	1.01	1.01
YPLC080B12MP12C	CF/CM/CU30B	1.01	1.01	1.01
YPLC080B12MP12C	CF/CM/CU36B	1.01	1.12	0.90
YPLC080B12MP12C	CF30BBBA1	1.01	1.01	1.01
YPLC080B12MP12C	CF42B	0.98	1.03	0.95
YPLC080B12MP12C	CM30BBBA1	1.01	1.01	1.01
YPLC080B12MP13C	CF/CM/CU30B	1.01	1.01	1.01
YPLC080B12MP13C	CF/CM/CU36B	1.01	1.12	0.90
YPLC080B12MP13C	CF30BBBA1	1.01	1.01	1.01
YPLC080B12MP13C	CM30BBBA1	1.01	1.01	1.01
YPLC080C16MP12C	CF/CM/CU36C	1.01	1.16	0.87
YPLC080C16MP12C	CF/CM/CU42C	0.96	1.05	0.92
YPLC080C16MP12C	CF/CM30C	1.01	1.05	0.97
YPLC080C16MP12C	CF/CM36D	1.01	1.16	0.87
YPLC080C16MP13C	CF/CM/CU30C	1.01	1.05	0.97
YPLC080C16MP13C	CF/CM/CU30D	1.01	1.05	0.97
YPLC080C16MP13C	CF/CM/CU36C	1.01	1.16	0.87
YPLC080C16MP13C	CF/CM/CU36D	1.01	1.16	0.87
YPLC080C16MP13C	CF/CM30C	1.01	1.05	0.97
YPLC080C16MP13C	CF/CM36D	1.01	1.16	0.87
YPLC100C16MP12C	CF/CM/CU36C	0.97	1.04	0.94
YPLC100C16MP12C	CF/CM/CU42C	0.96	1.05	0.92
YPLC100C16MP12C	CF/CM30C	1.01	1.05	0.97
YPLC100C16MP12C	CF/CM36D	1.01	1.16	0.87
YPLC100C16MP13C	CF/CM/CU30C	1.01	1.05	0.97
YPLC100C16MP13C	CF/CM/CU30D	1.01	1.05	0.97
YPLC100C16MP13C	CF/CM/CU36C	1.01	1.16	0.87
YPLC100C16MP13C	CF/CM/CU36D	1.01	1.16	0.87
YPLC100C16MP13C	CF/CM30C	1.01	1.05	0.97
YPLC100C16MP13C	CF/CM36D	1.01	1.16	0.87

PERFORMANCE DATA - 3 TON

CONDENSER-ONLY DATA (OUTDOOR UNIT)																
MODEL	SATURATED SUCTION @ COMPRESSOR		Outdoor Ambient Temperature													
			65 °F		75 °F		85 °F		95 °F		105 °F		115 °F		125 °F	
	T (°F)	P (PSIG)	MBH	KW	MBH	KW	MBH	KW	MBH	KW	MBH	KW	MBH	KW	MBH	KW
YHE35B21S	35	107	39.5	1.68	35.2	1.97	31.0	2.26	26.7	2.56	22.5	2.85	18.2	3.14	14.0	3.43
	40	119	40.7	1.72	37.1	2.01	33.5	2.29	29.8	2.58	26.2	2.87	22.6	3.16	19.0	3.45
	45	130	41.9	1.76	38.9	2.04	35.9	2.33	32.9	2.61	29.9	2.89	26.9	3.18	23.9	3.46
	50	143	43.2	1.80	40.8	2.08	38.4	2.36	36.0	2.64	33.6	2.92	31.2	3.20	28.9	3.47
	55	156	44.4	1.85	42.7	2.12	40.9	2.39	39.1	2.67	37.4	2.94	35.6	3.21	33.8	3.49

Notes:

1. For Outdoor Unit (Condenser) performance only. Data does not include the effects of air handler power or heat.
2. Performance based on 15°F subcooling and 15°F superheat at the Outdoor Unit base valves.
 - a. Increase capacity by 1% for each 2°F increase in subcooling.
 - b. Decrease capacity by 1% for each 2°F decrease in subcooling.
3. Maximum recommended condensing temperature is 140°F.

COOLING PERFORMANCE DATA																
AIR CONDITIONER MODEL NO.		YHE35B21S														
AIR TEMP. ENTERING OUTDOOR UNIT (°F)	IDCFM	1000					1200					1400				
	ID DB (°F)	80	80	75	80	80	80	80	75	80	80	80	80	75	80	80
	ID WB (°F)	57	62	62	67	72	57	62	62	67	72	57	62	62	67	72
65	T.C.	32.5	34.9	35.1	37.0	39.7	33.8	35.5	35.6	37.2	39.8	35.5	36.6	36.6	38.0	40.5
	S.C.	31.9	28.9	24.7	23.3	18.5	33.9	31.6	27.0	25.2	19.5	35.0	33.3	28.6	26.3	20.0
	KW	2.25	2.27	2.27	2.32	2.29	2.33	2.35	2.34	2.39	2.37	2.41	2.42	2.42	2.47	2.45
75	T.C.	31.4	33.6	33.9	36.0	40.6	32.9	34.4	34.6	36.3	41.0	34.8	35.7	35.8	37.1	41.9
	S.C.	30.8	28.4	24.1	23.2	19.0	33.1	31.7	26.8	25.2	20.5	34.3	34.1	28.7	26.6	21.4
	KW	2.45	2.47	2.45	2.55	2.48	2.52	2.54	2.52	2.62	2.56	2.60	2.62	2.60	2.70	2.64
85	T.C.	30.0	31.9	32.3	35.0	39.1	31.4	32.7	33.8	35.4	39.5	33.3	34.0	35.8	36.3	40.5
	S.C.	29.5	27.5	23.5	23.0	18.5	31.6	30.6	26.5	25.3	20.1	32.8	32.8	28.7	26.9	21.0
	KW	2.72	2.74	2.72	2.78	2.74	2.79	2.81	2.66	2.85	2.81	2.86	2.88	2.60	2.92	2.89
95	T.C.	28.7	30.3	30.7	34.0	37.5	30.0	31.0	33.0	34.5	38.1	31.8	32.2	35.8	35.4	39.2
	S.C.	28.2	26.6	22.8	22.8	18.0	30.2	29.5	26.1	25.4	19.6	31.3	31.6	28.7	27.1	20.6
	KW	2.99	3.01	2.99	3.01	2.99	3.06	3.08	2.79	3.08	3.07	3.13	3.15	2.60	3.15	3.14
105	T.C.	27.4	28.5	28.7	31.8	35.2	28.6	29.3	30.4	32.3	35.7	30.1	30.5	32.5	33.2	36.7
	S.C.	26.9	25.7	21.9	22.0	17.2	28.8	28.3	24.9	24.4	18.8	29.8	30.1	27.1	26.2	19.9
	KW	3.38	3.40	3.39	3.40	3.40	3.45	3.47	3.28	3.47	3.47	3.52	3.54	3.17	3.54	3.54
115	T.C.	26.1	26.7	26.7	29.7	32.9	27.1	27.5	27.7	30.1	33.3	28.5	28.7	29.1	30.9	34.1
	S.C.	25.7	24.9	21.1	21.2	16.4	27.3	27.1	23.6	23.5	18.0	28.2	28.5	25.5	25.2	19.1
	KW	3.77	3.79	3.79	3.80	3.80	3.84	3.86	3.77	3.87	3.87	3.91	3.93	3.75	3.94	3.94
125	T.C.	24.8	24.9	24.8	27.5	30.6	25.6	25.8	25.1	27.9	30.9	26.8	27.0	25.7	28.7	31.6
	S.C.	24.4	24.1	20.2	20.4	15.6	25.9	25.9	22.4	22.6	17.2	26.7	27.0	23.9	24.3	18.3
	KW	4.17	4.18	4.18	4.20	4.20	4.24	4.25	4.25	4.27	4.27	4.31	4.32	4.32	4.34	4.34

NOTE: ALL CAPACITIES INCLUDE INDOOR FAN HEAT. KW VALUES ARE FOR THE SYSTEM (OUTDOOR + INDOOR).

Green shaded cells are ACCA (TVA) conditions.

Blue shaded cells are AHRI conditions.

Multipliers for determining the performance with other indoor sections.

NOTE: For dry bulb temperatures different than those listed (between 73-87 °F), sensible capacity increases by 1060 BTUH per 1000 CFM per degree above the listed temperature and decreases by 1060 BTUH per 1000 CFM per degree below the listed temperature.

COIL MULTIPLIERS - 3 TON

Air Handler	Coil	T.C.	S.C.	KW
AE36BBE21	–	0.98	0.97	0.94
AE36BX21	–	0.98	0.97	0.94
AE36CBE21	–	1.00	1.00	1.00
AE36CX21	–	1.00	1.00	1.00
AE42CX21	–	1.01	1.03	0.99
AVC36BX21	–	0.98	0.96	0.95
AVC36CX21	–	0.99	0.98	0.97
AVC42CX21	–	1.01	0.98	0.99
ME12BN21	CF/CM36B	0.98	0.99	0.97
ME12BN21	CF42B	0.99	1.00	0.98
ME12CN21	CF/CM36C	0.98	0.97	0.93
ME14DN21	CF/CM36D	0.95	0.88	0.92
ME14DN21	CF/CM42D	1.01	1.00	0.99
ME16CN21	CF/CM36C	0.99	1.02	0.97
ME16CN21	CF/CM42C	1.01	1.03	0.99
MVC12BN21	CF/CM36B	0.98	0.98	0.95
MVC12BN21	CF42B	0.99	0.99	0.98
MVC12CN21	CF/CM36C	0.99	0.98	0.95
MVC12CN21	CF/CM42C	0.99	0.98	0.97
MVC14DN21	CF/CM36D	0.97	0.91	0.92
MVC14DN21	CF/CM42D	1.01	1.00	0.99
MVC16CN21	CF/CM36C	0.99	0.98	0.95
MVC16CN21	CF/CM42C	1.00	0.99	0.98
MVC20DN21	CF/CM36D	1.01	0.98	0.99
MVC20DN21	CF/CM42D	1.00	1.00	1.00

FURNACE MULTIPLIERS - 3 TON

Furnaces	Coil	T.C.	S.C.	KW
TL8E060A12UH11	CF/CM/CU36B	1.00	0.95	1.00
TL8E060A12UH11	CF42B	1.02	1.03	1.02
TL8E080C16UH11	CF/CM/CU36C	1.01	0.94	0.99
TL8E080C16UH11	CF/CM/CU42C	1.02	1.02	0.98
TL8E080C16UH11	CF/CM/CU48C	1.02	1.01	0.98
TL8E080C16UH11	CF/CM/CU48D	1.02	1.01	0.98
TL8E080C16UH11	CF/CM36D	1.01	0.94	0.99
TL8E080C16UH11	CF/CM42D	1.02	1.02	0.98
TL8E100C20UH11	CF/CM/CU36C	1.01	0.98	0.99
TL8E100C20UH11	CF/CM/CU42C	1.02	1.07	0.98
TL8E100C20UH11	CF/CM/CU48C	1.02	1.06	0.98
TL8E100C20UH11	CF/CM/CU48D	1.02	1.08	0.98
TL8E100C20UH11	CF/CM36D	1.01	0.98	0.99
TL8E100C20UH11	CF/CM42D	1.02	1.08	0.98
TL9E060B12UH11	CF/CM/CU36B	1.00	0.95	1.04
TL9E060B12UH11	CF/CM/CU36C	1.00	0.96	1.00
TL9E060B12UH11	CF/CM/CU42C	1.02	0.97	1.00
TL9E060B12UH11	CF/CM/CU48C	1.02	0.97	1.01
TL9E060B12UH11	CF42B	1.02	0.97	1.02
TL9E080C16UH11	CF/CM/CU36C	1.02	1.04	1.02
TL9E080C16UH11	CF/CM/CU42C	1.02	1.00	1.00
TL9E080C16UH11	CF/CM/CU48C	1.02	0.99	1.00
TL9E080C16UH11	CF/CM/CU48D	1.02	1.00	1.00
TL9E080C16UH11	CF/CM36D	1.02	1.06	1.02
TL9E080C16UH11	CF/CM42D	1.02	1.00	1.00
TL9E100C20UH11	CF/CM/CU36C	1.02	1.00	1.00

FURNACE MULTIPLIERS - 3 TON (Continued)

Furnaces	Coil	T.C.	S.C.	KW
TL9E100C20UH11	CF/CM/CU42C	1.02	1.06	0.98
TL9E100C20UH11	CF/CM/CU48C	1.02	1.05	0.98
TL9E100C20UH11	CF/CM/CU48D	1.02	1.06	0.98
TL9E100C20UH11	CF/CM36D	1.02	1.02	1.00
TL9E100C20UH11	CF/CM42D	1.02	1.07	0.98
TM8E040A12MP11	CF/CM/CU36B	1.01	1.02	1.06
TM8E040A12MP11	CF/CM36A	1.00	0.94	1.00
TM8E040A12MP11	CF42B	1.02	1.03	1.02
TM8E060A12MP11	CF/CM/CU36B	1.01	0.96	0.99
TM8E060A12MP11	CF/CM36A	1.00	0.94	1.00
TM8E060A12MP11	CF42B	1.02	1.03	1.02
TM8E080B12MP11	CF/CM/CU36B	1.01	0.96	0.99
TM8E080B12MP11	CF/CM/CU36C	1.01	0.97	0.99
TM8E080B12MP11	CF/CM/CU42C	1.02	0.98	1.00
TM8E080B12MP11	CF/CM/CU48C	1.02	0.98	1.00
TM8E080B12MP11	CF42B	1.02	1.03	1.02
TM8E080C16MP11	CF/CM/CU36C	1.02	1.00	1.00
TM8E080C16MP11	CF/CM/CU42C	1.02	1.01	0.98
TM8E080C16MP11	CF/CM/CU48C	1.02	1.00	0.98
TM8E080C16MP11	CF/CM/CU48D	1.02	1.00	0.98
TM8E080C16MP11	CF/CM36D	1.02	1.00	1.00
TM8E080C16MP11	CF/CM42D	1.02	1.02	0.98
TM8E080C20MP11	CF/CM/CU36C	1.02	1.06	1.00
TM8E080C20MP11	CF/CM/CU42C	1.02	1.07	0.98
TM8E080C20MP11	CF/CM/CU48C	1.02	1.06	0.98
TM8E080C20MP11	CF/CM/CU48D	1.02	1.08	0.98
TM8E080C20MP11	CF/CM36D	1.02	1.06	1.00
TM8E080C20MP11	CF/CM42D	1.02	1.08	0.98
TM8E100B12MP11	CF/CM/CU36B	1.01	1.03	1.06
TM8E100B12MP11	CF/CM/CU36C	1.02	1.04	1.02
TM8E100B12MP11	CF/CM/CU42C	1.02	1.00	1.00
TM8E100B12MP11	CF/CM/CU48C	1.02	1.05	1.01
TM8E100B12MP11	CF42B	1.02	1.03	1.02
TM8E100C16MP11	CF/CM/CU36C	1.02	1.07	1.01
TM8E100C16MP11	CF/CM/CU42C	1.02	1.02	0.98
TM8E100C16MP11	CF/CM/CU48C	1.02	1.01	0.98
TM8E100C16MP11	CF/CM/CU48D	1.02	1.01	0.98
TM8E100C16MP11	CF/CM36D	1.02	1.00	1.00
TM8E100C16MP11	CF/CM42D	1.02	1.02	0.98
TM8E100C20MP11	CF/CM/CU36C	1.02	1.06	1.00
TM8E100C20MP11	CF/CM/CU42C	1.02	1.07	0.98
TM8E100C20MP11	CF/CM/CU48C	1.02	1.06	0.98
TM8E100C20MP11	CF/CM/CU48D	1.02	1.08	0.98
TM8E100C20MP11	CF/CM36D	1.02	1.06	1.00
TM8E100C20MP11	CF/CM42D	1.02	1.08	0.98
TM8E120C16MP11	CF/CM/CU36C	1.02	1.00	1.00
TM8E120C16MP11	CF/CM/CU42C	1.02	1.02	0.98
TM8E120C16MP11	CF/CM/CU48C	1.02	1.01	0.98
TM8E120C16MP11	CF/CM/CU48D	1.02	1.01	0.98
TM8E120C16MP11	CF/CM36D	1.02	1.00	1.00
TM8E120C16MP11	CF/CM42D	1.02	1.02	0.98
TM8E120C20MP11	CF/CM/CU36C	1.02	1.06	1.01
TM8E120C20MP11	CF/CM/CU42C	1.02	1.08	0.98
TM8E120C20MP11	CF/CM/CU48C	1.02	1.08	0.98
TM8E120C20MP11	CF/CM/CU48D	1.02	1.08	0.98

FURNACE MULTIPLIERS - 3 TON (Continued)

Furnaces	Coil	T.C.	S.C.	KW
TM8E120C20MP11	CF/CM36D	1.02	1.08	1.00
TM8E120C20MP11	CF/CM42D	1.02	1.09	0.98
TM8E130D20MP11	CF/CM/CU48D	1.02	1.08	0.98
TM8E130D20MP11	CF/CM36D	1.02	1.08	1.00
TM8E130D20MP11	CF/CM42D	1.02	1.09	0.98
TM8V080B12MP11C	CF42B	0.98	0.92	1.00
TM8V080C16MP11C	CF/CM/CU36C	0.98	0.99	0.97
TM8V080C16MP11C	CF/CM/CU42C	0.99	1.00	0.98
TM8V080C16MP11C	CF/CM36D	0.96	0.90	0.94
TM8V080C16MP11C	CF/CM42D	1.02	1.08	0.99
TM8V080C16MP12C	CF/CM/CU36C	0.98	0.99	0.97
TM8V080C16MP12C	CF/CM/CU36D	0.96	0.90	0.94
TM8V080C16MP12C	CF/CM/CU42C	0.99	1.00	0.98
TM8V080C16MP12C	CF/CM/CU42D	1.02	1.08	0.99
TM8V080C16MP12C	CF/CM36D	0.96	0.90	0.94
TM8V080C16MP12C	CF/CM42D	1.02	1.08	0.99
TM8V100C16MP11C	CF/CM/CU36C	0.98	0.99	0.97
TM8V100C16MP11C	CF/CM/CU42C	0.99	1.00	0.98
TM8V100C16MP11C	CF/CM36D	0.96	0.90	0.94
TM8V100C16MP11C	CF/CM42D	1.02	1.08	0.99
TM8V100C16MP12C	CF/CM/CU36C	0.98	0.99	0.97
TM8V100C16MP12C	CF/CM/CU36D	0.96	0.90	0.94
TM8V100C16MP12C	CF/CM/CU42C	0.99	1.00	0.98
TM8V100C16MP12C	CF/CM/CU42D	1.02	1.08	0.99
TM8V100C16MP12C	CF/CM36D	0.96	0.90	0.94
TM8V100C16MP12C	CF/CM42D	1.02	1.08	0.99
TM8V100C20MP11C	CF/CM/CU36C	0.99	1.04	0.98
TM8V100C20MP11C	CF/CM/CU42C	1.01	1.05	0.99
TM8V100C20MP11C	CF/CM42D	1.02	1.09	1.00
TM8V100C20MP12C	CF/CM/CU36C	0.99	1.04	0.98
TM8V100C20MP12C	CF/CM/CU42C	1.01	1.05	0.99
TM8V100C20MP12C	CF/CM/CU42D	1.02	1.09	1.00
TM8V100C20MP12C	CF/CM42D	1.02	1.09	1.00
TM8V120C20MP11C	CF/CM/CU36C	0.99	1.04	0.98
TM8V120C20MP11C	CF/CM/CU42C	1.01	1.05	0.99
TM8V120C20MP11C	CF/CM42D	1.02	1.09	1.00
TM8V120C20MP12C	CF/CM/CU36C	0.99	1.04	0.98
TM8V120C20MP12C	CF/CM/CU42C	1.01	1.05	0.99
TM8V120C20MP12C	CF/CM/CU42D	1.02	1.09	1.00
TM8V120C20MP12C	CF/CM42D	1.02	1.09	1.00
TM8X080B12MP11	CF/CM/CU36B	0.97	0.95	0.95
TM8X080B12MP11	CF42B	0.98	0.95	1.00
TM8X080C16MP11	CF/CM/CU36C	0.97	0.94	0.93
TM8X080C16MP11	CF/CM/CU42C	0.98	0.95	0.96
TM8X080C16MP11	CF/CM36D	0.99	0.95	0.99
TM8X080C16MP11	CF/CM36D	0.99	0.95	0.99
TM8X080C16MP11	CF/CM42D	1.00	0.97	0.98
TM8X080C16MP11	CF/CM42D	1.00	0.97	0.98
TM8X080C16MP11	CF/CM42D	1.00	0.97	0.98
TM8X100C16MP11	CF/CM/CU36C	0.97	0.94	0.93
TM8X100C16MP11	CF/CM/CU42C	0.98	0.95	0.96
TM8X100C16MP11	CF/CM36D	0.99	0.95	0.99
TM8X100C16MP11	CF/CM36D	0.99	0.95	0.99
TM8X100C16MP11	CF/CM42D	1.00	0.97	0.98
TM8X100C16MP11	CF/CM42D	1.00	0.97	0.98
TM8X100C20MP11	CF/CM/CU36C	0.98	0.97	0.93

FURNACE MULTIPLIERS - 3 TON (Continued)

Furnaces	Coil	T.C.	S.C.	KW
TM8X100C20MP11	CF/CM/CU42C	0.99	0.98	0.97
TM8X100C20MP11	CF/CM36D	0.99	0.95	0.97
TM8X100C20MP11	CF/CM36D	0.99	0.95	0.97
TM8X100C20MP11	CF/CM42D	1.01	1.00	0.97
TM8X100C20MP11	CF/CM42D	1.01	1.00	0.97
TM8X120C20MP11	CF/CM/CU36C	0.98	0.97	0.93
TM8X120C20MP11	CF/CM/CU42C	0.99	0.98	0.97
TM8X120C20MP11	CF/CM36D	0.99	0.95	0.97
TM8X120C20MP11	CF/CM36D	0.99	0.95	0.97
TM8X120C20MP11	CF/CM42D	1.01	1.00	0.97
TM8X120C20MP11	CF/CM42D	1.01	1.00	0.97
TM8Y080B12MP11	CF/CM/CU36B	0.97	0.95	0.95
TM8Y080B12MP11	CF42B	0.98	0.95	1.00
TM8Y080C16MP11	CF/CM/CU36C	0.97	0.94	0.93
TM8Y080C16MP11	CF/CM/CU42C	0.98	0.95	0.96
TM8Y080C16MP11	CF/CM36D	0.99	0.95	0.99
TM8Y080C16MP11	CF/CM36D	0.99	0.95	0.99
TM8Y080C16MP11	CF/CM42D	1.00	0.97	0.98
TM8Y080C16MP11	CF/CM42D	1.00	0.97	0.98
TM8Y100C16MP11	CF/CM/CU36C	0.97	0.94	0.93
TM8Y100C16MP11	CF/CM/CU42C	0.98	0.95	0.96
TM8Y100C16MP11	CF/CM36D	0.99	0.95	0.99
TM8Y100C16MP11	CF/CM36D	0.99	0.95	0.99
TM8Y100C16MP11	CF/CM42D	1.00	0.97	0.98
TM8Y100C16MP11	CF/CM42D	1.00	0.97	0.98
TM8Y100C20MP11	CF/CM/CU36C	0.98	0.97	0.93
TM8Y100C20MP11	CF/CM/CU42C	0.99	0.98	0.97
TM8Y100C20MP11	CF/CM36D	0.99	0.95	0.97
TM8Y100C20MP11	CF/CM36D	0.99	0.95	0.97
TM8Y100C20MP11	CF/CM42D	1.01	1.00	0.97
TM8Y100C20MP11	CF/CM42D	1.01	1.00	0.97
TM8Y120C20MP11	CF/CM/CU36C	0.98	0.97	0.93
TM8Y120C20MP11	CF/CM/CU42C	0.99	0.98	0.97
TM8Y120C20MP11	CF/CM36D	0.99	0.95	0.97
TM8Y120C20MP11	CF/CM36D	0.99	0.95	0.97
TM8Y120C20MP11	CF/CM42D	1.01	1.00	0.97
TM8Y120C20MP11	CF/CM42D	1.01	1.00	0.97
TM9E060A10MP12	CF/CM/CU36B	0.99	0.95	1.04
TM9E060A10MP12	CF42B	1.01	0.96	1.01
TM9E060B12MP12	CF/CM/CU36B	1.00	0.97	1.04
TM9E060B12MP12	CF/CM/CU36C	1.01	0.98	1.05
TM9E060B12MP12	CF/CM/CU42C	1.01	0.94	0.99
TM9E060B12MP12	CF/CM/CU48C	1.02	0.94	1.00
TM9E060B12MP12	CF42B	1.02	0.97	1.02
TM9E080B12MP11	CF/CM/CU36B	0.97	0.95	0.96
TM9E080B12MP11	CF42B	0.98	0.95	1.00
TM9E080B12MP12	CF/CM/CU36B	1.01	0.97	1.01
TM9E080B12MP12	CF/CM/CU36C	1.00	0.93	0.98
TM9E080B12MP12	CF/CM/CU42C	1.02	0.94	1.00
TM9E080B12MP12	CF/CM/CU48C	1.02	0.94	1.00
TM9E080B12MP12	CF42B	1.02	0.97	1.00
TM9E080C16MP11	CF/CM/CU36C	0.98	0.94	0.98
TM9E080C16MP11	CF/CM/CU42C	1.01	1.03	1.01
TM9E080C16MP11	CF/CM36D	0.98	0.94	0.98
TM9E080C16MP11	CF/CM42D	0.99	0.97	0.97

FURNACE MULTIPLIERS - 3 TON (Continued)

Furnaces	Coil	T.C.	S.C.	KW
TM9E080C16MP12	CF/CM/CU36C	1.02	1.06	1.02
TM9E080C16MP12	CF/CM/CU42C	1.02	1.00	1.00
TM9E080C16MP12	CF/CM/CU48C	1.02	1.00	1.00
TM9E080C16MP12	CF/CM/CU48D	1.02	1.00	1.00
TM9E080C16MP12	CF/CM36D	1.02	1.06	1.02
TM9E080C16MP12	CF/CM42D	1.02	1.00	1.00
TM9E080C20MP12	CF/CM/CU36C	1.04	1.12	1.02
TM9E080C20MP12	CF/CM/CU42C	1.02	1.05	0.98
TM9E080C20MP12	CF/CM/CU48C	1.02	1.05	0.98
TM9E080C20MP12	CF/CM/CU48D	1.02	1.06	0.98
TM9E080C20MP12	CF/CM36D	1.02	1.06	1.00
TM9E080C20MP12	CF/CM42D	1.02	1.07	0.98
TM9E100C16MP11	CF/CM/CU36C	0.98	0.96	0.94
TM9E100C16MP11	CF/CM/CU42C	0.99	0.96	0.97
TM9E100C16MP11	CF/CM36D	0.98	0.94	0.98
TM9E100C16MP11	CF/CM36D	0.98	0.94	0.98
TM9E100C16MP11	CF/CM42D	0.99	0.97	0.97
TM9E100C16MP11	CF/CM42D	0.99	0.97	0.97
TM9E100C16MP12	CF/CM/CU36C	1.01	0.98	0.99
TM9E100C16MP12	CF/CM/CU42C	1.02	1.00	0.98
TM9E100C16MP12	CF/CM/CU48C	1.02	0.99	0.98
TM9E100C16MP12	CF/CM/CU48D	1.02	0.99	0.98
TM9E100C16MP12	CF/CM36D	1.01	0.98	0.99
TM9E100C16MP12	CF/CM42D	1.02	1.00	0.98
TM9E100C20MP11	CF/CM/CU36C	0.99	1.05	1.02
TM9E100C20MP11	CF/CM/CU42C	1.01	1.06	0.99
TM9E100C20MP11	CF/CM36D	0.99	0.98	1.02
TM9E100C20MP11	CF/CM36D	0.99	0.98	1.02
TM9E100C20MP11	CF/CM42D	0.99	0.99	1.02
TM9E100C20MP11	CF/CM42D	0.99	0.99	1.02
TM9E100C20MP12	CF/CM/CU36C	1.04	1.12	1.02
TM9E100C20MP12	CF/CM/CU42C	1.02	1.06	0.98
TM9E100C20MP12	CF/CM/CU48C	1.02	1.05	0.98
TM9E100C20MP12	CF/CM/CU48D	1.02	1.05	0.98
TM9E100C20MP12	CF/CM36D	1.02	1.05	1.00
TM9E100C20MP12	CF/CM42D	1.02	1.06	0.98
TM9E120D20MP11	CF/CM36D	0.99	0.98	1.02
TM9E120D20MP11	CF/CM36D	0.99	0.98	1.02
TM9E120D20MP11	CF/CM42D	1.00	0.99	1.00
TM9E120D20MP11	CF/CM42D	1.00	0.99	1.00
TM9E120D20MP12	CF/CM/CU48D	1.02	1.06	0.98
TM9E120D20MP12	CF/CM36D	1.02	1.06	1.00
TM9E120D20MP12	CF/CM42D	1.02	1.07	0.98
TM9V060B12MP11C	CF42B	0.99	0.99	1.02
TM9V060B12MP12C	CF42B	0.98	0.96	1.02
TM9V080B12MP11C	CF42B	0.99	1.01	1.02
TM9V080B12MP12C	CF42B	0.99	1.01	1.02
TM9V080C16MP11C	CF/CM/CU36C	0.98	0.98	0.96
TM9V080C16MP11C	CF/CM/CU42C	0.99	0.98	0.97
TM9V080C16MP11C	CF/CM36D	0.97	0.94	0.94
TM9V080C16MP12C	CF/CM/CU36C	0.98	0.98	0.96
TM9V080C16MP12C	CF/CM/CU36D	0.97	0.94	0.94
TM9V080C16MP12C	CF/CM/CU42C	0.99	0.98	0.97
TM9V080C16MP12C	CF/CM36D	0.97	0.94	0.94
TM9V100C16MP11C	CF/CM/CU36C	0.98	0.97	0.94

FURNACE MULTIPLIERS - 3 TON (Continued)

Furnaces	Coil	T.C.	S.C.	KW
TM9V100C16MP11C	CF/CM/CU42C	0.99	0.98	0.97
TM9V100C16MP11C	CF/CM36D	0.97	0.92	0.94
TM9V100C16MP11C	CF/CM42D	1.01	1.06	0.99
TM9V100C16MP12C	CF/CM/CU36C	0.98	0.97	0.94
TM9V100C16MP12C	CF/CM/CU36D	0.97	0.92	0.94
TM9V100C16MP12C	CF/CM/CU42C	0.99	0.98	0.97
TM9V100C16MP12C	CF/CM/CU42D	1.01	1.06	0.99
TM9V100C16MP12C	CF/CM36D	0.97	0.92	0.94
TM9V100C16MP12C	CF/CM42D	1.01	1.06	0.99
TM9V100C20MP11C	CF/CM/CU36C	0.99	1.02	0.97
TM9V100C20MP11C	CF/CM/CU42C	1.01	1.03	0.99
TM9V100C20MP11C	CF/CM36D	0.99	1.02	0.97
TM9V100C20MP11C	CF/CM42D	1.02	1.08	1.00
TM9V100C20MP12C	CF/CM/CU36C	0.99	1.02	0.97
TM9V100C20MP12C	CF/CM/CU36D	0.99	1.02	0.97
TM9V100C20MP12C	CF/CM/CU42C	1.01	1.03	0.99
TM9V100C20MP12C	CF/CM/CU42D	1.02	1.08	1.00
TM9V100C20MP12C	CF/CM36D	0.99	1.02	0.97
TM9V100C20MP12C	CF/CM42D	1.02	1.08	1.00
TM9V100C20MP12C	CF/CM42D	1.02	1.08	1.00
TM9V100C20MP12C	CF/CM36D	0.99	1.01	0.97
TM9V100C20MP12C	CF/CM42D	1.02	1.08	1.00
TM9V100C20MP12C	CF/CM36D	0.99	1.01	0.97
TM9V100C20MP12C	CF/CM42D	1.02	1.08	1.00
TM9V080B12MP11	CF/CM/CU36B	0.97	0.95	0.96
TM9V080B12MP11	CF42B	0.98	0.95	1.00
TM9V080C16MP11	CF/CM/CU36C	0.98	0.94	0.98
TM9V080C16MP11	CF/CM/CU42C	1.01	1.03	1.01
TM9V080C16MP11	CF/CM36D	0.98	0.94	0.98
TM9V080C16MP11	CF/CM42D	0.99	0.97	0.97
TM9V080C16MP11	CF/CM42D	0.99	0.97	0.97
TM9Y100C16MP11	CF/CM/CU36C	0.98	0.96	0.94
TM9Y100C16MP11	CF/CM/CU42C	0.99	0.96	0.97
TM9Y100C16MP11	CF/CM36D	0.98	0.94	0.98
TM9Y100C16MP11	CF/CM36D	0.98	0.94	0.98
TM9Y100C16MP11	CF/CM42D	0.99	0.97	0.97
TM9Y100C16MP11	CF/CM42D	0.99	0.97	0.97
TM9Y100C20MP11	CF/CM/CU36C	0.99	1.05	1.02
TM9Y100C20MP11	CF/CM/CU42C	1.01	1.06	0.99
TM9Y100C20MP11	CF/CM36D	0.99	0.98	1.02
TM9Y100C20MP11	CF/CM36D	0.99	0.98	1.02
TM9Y100C20MP11	CF/CM42D	0.99	0.99	1.02
TM9Y100C20MP11	CF/CM42D	0.99	0.99	1.02
TM9Y120D20MP11	CF/CM36D	0.99	0.98	1.02
TM9Y120D20MP11	CF/CM36D	0.99	0.98	1.02
TM9Y120D20MP11	CF/CM42D	1.00	0.99	1.00
TM9Y120D20MP11	CF/CM42D	1.00	0.99	1.00
TMLE040A12MP11	CF/CM/CU36B	1.01	1.02	1.06
TMLE040A12MP11	CF/CM36A	1.00	0.94	1.00
TMLE040A12MP11	CF42B	1.02	1.03	1.02
TMLE060A12MP11	CF/CM/CU36B	1.01	0.96	0.99
TMLE060A12MP11	CF/CM36A	1.00	0.94	1.00
TMLE060A12MP11	CF42B	1.02	1.03	1.02
TMLE080B12MP11	CF/CM/CU36B	1.01	0.96	0.99
TMLE080B12MP11	CF/CM/CU36C	1.01	0.97	0.99

FURNACE MULTIPLIERS - 3 TON (Continued)

Furnaces	Coil	T.C.	S.C.	KW
TP9C080B12MP12C	CF42B	0.99	1.01	1.02
TP9C080B12MP13C	CF42B	0.99	1.01	1.02
TP9C080C16MP12C	CF/CM/CU42C	1.01	1.05	1.03
TP9C080C16MP13C	CF/CM/CU36C	0.98	0.98	0.96
TP9C080C16MP13C	CF/CM/CU36D	0.97	0.94	0.94
TP9C080C16MP13C	CF/CM/CU42C	0.99	0.98	0.97
TP9C080C16MP13C	CF/CM36D	0.97	0.94	0.94
TP9C100C16MP12C	CF/CM/CU36C	0.98	0.97	0.94
TP9C100C16MP12C	CF/CM/CU42C	0.99	0.98	0.97
TP9C100C16MP12C	CF/CM36D	0.97	0.92	0.94
TP9C100C16MP12C	CF/CM42D	1.01	1.06	0.99
TP9C100C16MP13C	CF/CM/CU36C	0.98	0.97	0.94
TP9C100C16MP13C	CF/CM/CU36D	0.97	0.92	0.94
TP9C100C16MP13C	CF/CM/CU42C	0.99	0.98	0.97
TP9C100C16MP13C	CF/CM/CU42D	1.01	1.06	0.99
TP9C100C16MP13C	CF/CM36D	0.97	0.92	0.94
TP9C100C16MP13C	CF/CM42D	1.01	1.06	0.99
TP9C100C20MP12C	CF/CM/CU36C	0.99	1.02	0.97
TP9C100C20MP12C	CF/CM/CU42C	1.01	1.03	0.99
TP9C100C20MP12C	CF/CM36D	0.99	1.02	0.97
TP9C100C20MP12C	CF/CM42D	1.02	1.08	1.00
TP9C100C20MP13C	CF/CM/CU36C	0.99	1.02	0.97
TP9C100C20MP13C	CF/CM/CU36D	0.99	1.02	0.97
TP9C100C20MP13C	CF/CM/CU42C	1.01	1.03	0.99
TP9C100C20MP13C	CF/CM/CU42D	1.02	1.08	1.00
TP9C100C20MP13C	CF/CM36D	0.99	1.02	0.97
TP9C100C20MP13C	CF/CM42D	1.02	1.08	1.00
TP9C120D20MP12C	CF/CM36D	0.99	1.01	0.97
TP9C120D20MP12C	CF/CM42D	1.00	1.00	1.00
TP9C120D20MP13C	CF/CM/CU36D	0.99	1.01	0.97
TP9C120D20MP13C	CF/CM/CU42D	1.02	1.08	1.00
TP9C120D20MP13C	CF/CM36D	0.99	1.01	0.97
TP9C120D20MP13C	CF/CM42D	1.02	1.08	1.00
TPLC080B12MP12C	CF42B	0.98	0.92	1.00
TPLC080C16MP12C	CF/CM/CU36C	0.98	0.99	0.97
TPLC080C16MP12C	CF/CM/CU42C	0.99	1.00	0.98
TPLC080C16MP12C	CF/CM36D	0.96	0.90	0.94
TPLC080C16MP12C	CF/CM42D	1.02	1.08	0.99
TPLC080C16MP13C	CF/CM/CU36C	0.98	0.99	0.97
TPLC080C16MP13C	CF/CM/CU36D	0.96	0.90	0.94
TPLC080C16MP13C	CF/CM/CU42C	0.99	1.00	0.98
TPLC080C16MP13C	CF/CM/CU42D	1.02	1.08	0.99
TPLC080C16MP13C	CF/CM36D	0.96	0.90	0.94
TPLC080C16MP13C	CF/CM42D	1.02	1.08	0.99
TPLC100C16MP12C	CF/CM/CU36C	0.98	0.99	0.97
TPLC100C16MP12C	CF/CM/CU42C	0.99	1.00	0.98
TPLC100C16MP12C	CF/CM36D	0.96	0.90	0.94
TPLC100C16MP12C	CF/CM42D	1.02	1.08	0.99
TPLC100C16MP13C	CF/CM/CU36C	0.98	0.99	0.97
TPLC100C16MP13C	CF/CM/CU36D	0.96	0.90	0.94
TPLC100C16MP13C	CF/CM/CU42C	0.99	1.00	0.98
TPLC100C16MP13C	CF/CM/CU42D	1.02	1.08	0.99
TPLC100C16MP13C	CF/CM36D	0.96	0.90	0.94
TPLC100C16MP13C	CF/CM42D	1.02	1.08	0.99
TPLC100C20MP12C	CF/CM/CU36C	0.99	1.04	0.98

FURNACE MULTIPLIERS - 3 TON (Continued)

Furnaces	Coil	T.C.	S.C.	KW
TPLC100C20MP12C	CF/CM/CU42C	1.01	1.05	0.99
TPLC100C20MP12C	CF/CM42D	1.02	1.09	1.00
TPLC100C20MP13C	CF/CM/CU36C	0.99	1.04	0.98
TPLC100C20MP13C	CF/CM/CU42C	1.01	1.05	0.99
TPLC100C20MP13C	CF/CM/CU42D	1.02	1.09	1.00
TPLC100C20MP13C	CF/CM42D	1.02	1.09	1.00
TPLC120C20MP12C	CF/CM/CU36C	0.99	1.04	0.98
TPLC120C20MP12C	CF/CM/CU42C	1.01	1.05	0.99
TPLC120C20MP12C	CF/CM42D	1.02	1.09	1.00
TPLC120C20MP13C	CF/CM/CU36C	0.99	1.04	0.98
TPLC120C20MP13C	CF/CM/CU42C	1.01	1.05	0.99
TPLC120C20MP13C	CF/CM/CU42D	1.02	1.09	1.00
TPLC120C20MP13C	CF/CM42D	1.02	1.09	1.00
YP9C060B12MP12C	CF42B	0.99	0.99	1.02
YP9C060B12MP13C	CF42B	0.98	0.96	1.02
YP9C080B12MP12C	CF42B	0.99	1.01	1.02
YP9C080B12MP13C	CF42B	0.99	1.01	1.02
YP9C080C16MP12C	CF/CM/CU42C	1.01	1.05	1.03
YP9C080C16MP13C	CF/CM/CU36C	0.98	0.98	0.96
YP9C080C16MP13C	CF/CM/CU36D	0.97	0.94	0.94
YP9C080C16MP13C	CF/CM/CU42C	0.99	0.98	0.97
YP9C080C16MP13C	CF/CM36D	0.97	0.94	0.94
YP9C100C16MP12C	CF/CM/CU36C	0.98	0.97	0.94
YP9C100C16MP12C	CF/CM/CU42C	0.99	0.98	0.97
YP9C100C16MP12C	CF/CM36D	0.97	0.92	0.94
YP9C100C16MP12C	CF/CM42D	1.01	1.06	0.99
YP9C100C16MP13C	CF/CM/CU36C	0.98	0.97	0.94
YP9C100C16MP13C	CF/CM/CU36D	0.97	0.92	0.94
YP9C100C16MP13C	CF/CM/CU42C	0.99	0.98	0.97
YP9C100C16MP13C	CF/CM/CU42D	1.01	1.06	0.99
YP9C100C16MP13C	CF/CM36D	0.97	0.92	0.94
YP9C100C16MP13C	CF/CM42D	1.01	1.06	0.99
YP9C100C20MP12C	CF/CM/CU36C	0.99	1.02	0.97
YP9C100C20MP12C	CF/CM/CU42C	1.01	1.03	0.99
YP9C100C20MP12C	CF/CM36D	0.99	1.02	0.97
YP9C100C20MP12C	CF/CM42D	1.02	1.08	1.00
YP9C100C20MP13C	CF/CM/CU36C	0.99	1.02	0.97
YP9C100C20MP13C	CF/CM/CU36D	0.99	1.02	0.97
YP9C100C20MP13C	CF/CM/CU42C	1.01	1.03	0.99
YP9C100C20MP13C	CF/CM/CU42D	1.02	1.08	1.00
YP9C100C20MP13C	CF/CM36D	0.99	1.02	0.97
YP9C100C20MP13C	CF/CM42D	1.02	1.08	1.00
YP9C120D20MP12C	CF/CM36D	0.99	1.01	0.97
YP9C120D20MP12C	CF/CM42D	1.00	1.00	1.00
YP9C120D20MP13C	CF/CM/CU36D	0.99	1.01	0.97
YP9C120D20MP13C	CF/CM/CU42D	1.02	1.08	1.00
YP9C120D20MP13C	CF/CM36D	0.99	1.01	0.97
YP9C120D20MP13C	CF/CM42D	1.02	1.08	1.00
YPLC080B12MP12C	CF42B	0.98	0.92	1.00
YPLC080C16MP12C	CF/CM/CU36C	0.98	0.99	0.97
YPLC080C16MP12C	CF/CM/CU42C	0.99	1.00	0.98
YPLC080C16MP12C	CF/CM36D	0.96	0.90	0.94
YPLC080C16MP12C	CF/CM42D	1.02	1.08	0.99
YPLC080C16MP13C	CF/CM/CU36C	0.98	0.99	0.97
YPLC080C16MP13C	CF/CM/CU36D	0.96	0.90	0.94

FURNACE MULTIPLIERS - 3 TON (Continued)

Furnaces	Coil	T.C.	S.C.	KW
YPLC080C16MP13C	CF/CM/CU42C	0.99	1.00	0.98
YPLC080C16MP13C	CF/CM/CU42D	1.02	1.08	0.99
YPLC080C16MP13C	CF/CM36D	0.96	0.90	0.94
YPLC080C16MP13C	CF/CM42D	1.02	1.08	0.99
YPLC100C16MP12C	CF/CM/CU36C	0.98	0.99	0.97
YPLC100C16MP12C	CF/CM/CU42C	0.99	1.00	0.98
YPLC100C16MP12C	CF/CM36D	0.96	0.90	0.94
YPLC100C16MP12C	CF/CM42D	1.02	1.08	0.99
YPLC100C16MP13C	CF/CM/CU36C	0.98	0.99	0.97
YPLC100C16MP13C	CF/CM/CU36D	0.96	0.90	0.94
YPLC100C16MP13C	CF/CM/CU42C	0.99	1.00	0.98
YPLC100C16MP13C	CF/CM/CU42D	1.02	1.08	0.99
YPLC100C16MP13C	CF/CM36D	0.96	0.90	0.94
YPLC100C16MP13C	CF/CM42D	1.02	1.08	0.99
YPLC100C20MP12C	CF/CM/CU36C	0.99	1.04	0.98

FURNACE MULTIPLIERS - 3 TON (Continued)

Furnaces	Coil	T.C.	S.C.	KW
YPLC100C20MP12C	CF/CM/CU42C	1.01	1.05	0.99
YPLC100C20MP12C	CF/CM42D	1.02	1.09	1.00
YPLC100C20MP13C	CF/CM/CU36C	0.99	1.04	0.98
YPLC100C20MP13C	CF/CM/CU42C	1.01	1.05	0.99
YPLC100C20MP13C	CF/CM/CU42D	1.02	1.09	1.00
YPLC100C20MP13C	CF/CM42D	1.02	1.09	1.00
YPLC120C20MP12C	CF/CM/CU36C	0.99	1.04	0.98
YPLC120C20MP12C	CF/CM/CU42C	1.01	1.05	0.99
YPLC120C20MP12C	CF/CM42D	1.02	1.09	1.00
YPLC120C20MP13C	CF/CM/CU36C	0.99	1.04	0.98
YPLC120C20MP13C	CF/CM/CU42C	1.01	1.05	0.99
YPLC120C20MP13C	CF/CM/CU42D	1.02	1.09	1.00
YPLC120C20MP13C	CF/CM42D	1.02	1.09	1.00

HEATING PERFORMANCE DATA										
CONDENSING UNIT MODEL NO		YHE35B21S								
AIR TEMP. ENTERING OUTDOOR UNIT (°F)	AIR TEMP. ENTERING INDOOR COIL (°F)	ID CFM								
		1000			1200			1400		
		MBH	COP	KW	MBH	COP	KW	MBH	COP	KW
60	60	41.0	3.64	2.93	41.6	3.67	2.87	42.2	3.70	2.81
	70	39.9	3.24	3.23	40.0	3.25	3.15	40.1	3.27	3.07
	80	38.8	2.90	3.54	38.4	2.89	3.44	38.0	2.88	3.33
47	60	35.2	3.22	2.82	35.8	3.25	2.78	36.4	3.27	2.74
	70	34.3	2.88	3.12	34.9	2.91	3.07	35.5	2.94	3.01
	80	33.5	2.59	3.41	34.0	2.63	3.35	34.6	2.66	3.28
40	60	32.1	2.99	2.77	32.6	3.00	2.74	33.1	3.00	2.71
	70	31.4	2.67	3.08	32.0	2.69	3.04	32.6	2.71	3.00
	80	30.7	2.39	3.38	31.4	2.43	3.33	32.0	2.46	3.28
30	60	27.4	2.60	2.71	28.1	2.62	2.69	28.7	2.64	2.66
	70	26.9	2.33	3.00	27.2	2.33	2.97	27.5	2.33	2.93
	80	26.5	2.11	3.30	26.3	2.09	3.25	26.2	2.06	3.20
17	60	23.2	2.30	2.59	23.2	2.22	2.60	23.1	2.15	2.62
	70	22.9	2.07	2.86	22.8	2.02	2.87	22.8	1.97	2.87
	80	22.5	1.87	3.14	22.5	1.84	3.13	22.6	1.82	3.12
10	60	20.9	1.95	2.77	20.7	1.89	2.75	20.43	1.84	2.73
	70	20.6	1.74	3.08	20.6	1.71	3.06	20.5	1.68	3.05
	80	20.3	1.58	3.40	20.5	1.56	3.38	20.6	1.55	3.36
0	60	14.9	2.00	2.23	14.8	1.94	2.21	14.6	1.89	2.19
	70	14.7	1.78	2.47	14.7	1.75	2.46	14.7	1.72	2.45
	80	14.5	1.62	2.73	14.6	1.60	2.72	14.7	1.59	2.70
-10	60	10.8	1.48	2.17	10.7	1.43	2.16	10.6	1.40	2.14
	70	10.7	1.32	2.41	10.6	1.30	2.40	10.6	1.27	2.39
	80	10.5	1.20	2.66	10.6	1.18	2.65	10.6	1.18	2.63
-20	60	6.7	0.96	2.08	6.6	0.93	2.07	6.5	0.90	2.05
	70	6.6	0.85	2.32	6.6	0.84	2.30	6.6	0.82	2.29
	80	6.5	0.77	2.56	6.6	0.76	2.54	6.6	0.76	2.53

NOTE: ALL CAPACITIES INCLUDE INDOOR FAN HEAT. KW VALUES ARE FOR THE SYSTEM (OUTDOOR + INDOOR).

Yellow shaded cells are AHRI High Heating conditions.

Orange shaded cells are AHRI Low Heating conditions.

Multipliers for determining the performance with other indoor sections.

COIL MULTIPLIERS - 3 TON

Air Handler	Coil	MBH	COP	KW
AE36BBE21	–	1.00	0.96	1.05
AE36BX21	–	1.00	0.96	1.05
AE36CBE21	–	1.00	1.00	1.00
AE36CX21	–	1.00	1.00	1.00
AE42CX21	–	0.99	1.03	0.97
AVC36BX21	–	1.00	0.95	1.05
AVC36CX21	–	0.99	0.97	1.03
AVC42CX21	–	0.99	1.02	0.97
ME12BN21	CF/CM36B	1.00	0.97	1.03
ME12BN21	CF42B	0.99	0.99	1.00
ME12CN21	CF/CM36C	0.99	0.96	1.04
ME14DN21	CF/CM36D	0.99	0.92	1.07
ME14DN21	CF/CM42D	0.99	1.02	0.97

COIL MULTIPLIERS - 3 TON

Air Handler	Coil	MBH	COP	KW
ME16CN21	CF/CM36C	0.99	0.98	1.01
ME16CN21	CF/CM42C	0.99	1.00	0.99
MVC12BN21	CF/CM36B	1.00	0.96	1.04
MVC12BN21	CF42B	0.99	0.98	1.01
MVC12CN21	CF/CM36C	0.99	0.97	1.03
MVC12CN21	CF/CM42C	0.98	0.99	0.99
MVC14DN21	CF/CM36D	0.99	0.95	1.05
MVC14DN21	CF/CM42D	0.99	1.02	0.97
MVC16CN21	CF/CM36C	0.99	0.97	1.02
MVC16CN21	CF/CM42C	0.98	0.99	0.99
MVC20DN21	CF/CM36D	0.99	1.00	0.99
MVC20DN21	CF/CM42D	0.99	1.01	0.98

FURNACE MULTIPLIERS - 3 TON

Furnaces	Coil	MBH	COP	KW
TL8E060A12UH11	CF/CM/CU36B	0.99	0.93	1.06
TL8E060A12UH11	CF42B	1.02	0.98	1.04
TL8E080C16UH11	CF/CM/CU36C	0.98	0.93	1.05
TL8E080C16UH11	CF/CM/CU42C	1.00	0.99	1.01
TL8E080C16UH11	CF/CM/CU48C	0.98	0.99	0.99
TL8E080C16UH11	CF/CM/CU48D	0.98	0.99	0.99
TL8E080C16UH11	CF/CM36D	0.98	0.93	1.05
TL8E080C16UH11	CF/CM42D	1.00	0.99	1.01
TL8E100C20UH11	CF/CM/CU36C	0.99	0.96	1.03
TL8E100C20UH11	CF/CM/CU42C	1.01	1.03	0.99
TL8E100C20UH11	CF/CM/CU48C	0.99	1.02	0.97
TL8E100C20UH11	CF/CM/CU48D	0.99	1.03	0.96
TL8E100C20UH11	CF/CM36D	0.99	0.96	1.03
TL8E100C20UH11	CF/CM42D	1.01	1.04	0.97
TL9E060B12UH11	CF/CM/CU36B	0.99	0.92	1.08
TL9E060B12UH11	CF/CM/CU36C	1.00	0.93	1.08
TL9E060B12UH11	CF/CM/CU42C	1.00	0.96	1.05
TL9E060B12UH11	CF/CM/CU48C	0.98	0.95	1.03
TL9E060B12UH11	CF42B	1.00	0.95	1.05
TL9E080C16UH11	CF/CM/CU36C	1.02	0.98	1.04
TL9E080C16UH11	CF/CM/CU42C	0.99	0.98	1.02
TL9E080C16UH11	CF/CM/CU48C	0.98	0.97	1.00
TL9E080C16UH11	CF/CM/CU48D	0.98	0.98	0.99
TL9E080C16UH11	CF/CM36D	1.02	0.99	1.03
TL9E080C16UH11	CF/CM42D	0.99	0.99	1.01
TL9E100C20UH11	CF/CM/CU36C	0.99	0.97	1.02
TL9E100C20UH11	CF/CM/CU42C	1.01	1.02	0.98
TL9E100C20UH11	CF/CM/CU48C	0.99	1.02	0.97
TL9E100C20UH11	CF/CM/CU48D	0.99	1.02	0.97
TL9E100C20UH11	CF/CM36D	1.00	0.98	1.02
TL9E100C20UH11	CF/CM42D	1.01	1.03	0.99
TM8E040A12MP11	CF/CM/CU36B	1.02	0.96	1.06
TM8E040A12MP11	CF/CM36A	0.99	0.92	1.07
TM8E040A12MP11	CF42B	1.01	0.98	1.03
TM8E060A12MP11	CF/CM/CU36B	0.99	0.94	1.05
TM8E060A12MP11	CF/CM36A	0.99	0.92	1.07
TM8E060A12MP11	CF42B	1.02	0.98	1.04
TM8E080B12MP11	CF/CM/CU36B	0.99	0.93	1.06
TM8E080B12MP11	CF/CM/CU36C	0.99	0.95	1.05
TM8E080B12MP11	CF/CM/CU42C	0.99	0.97	1.02
TM8E080B12MP11	CF/CM/CU48C	0.98	0.97	1.01
TM8E080B12MP11	CF42B	1.02	0.98	1.04
TM8E080C16MP11	CF/CM/CU36C	0.99	0.97	1.03
TM8E080C16MP11	CF/CM/CU42C	0.99	0.99	1.00
TM8E080C16MP11	CF/CM/CU48C	0.98	0.99	0.99
TM8E080C16MP11	CF/CM/CU48D	0.98	0.99	0.99
TM8E080C16MP11	CF/CM36D	0.99	0.97	1.02
TM8E080C16MP11	CF/CM42D	0.99	1.00	0.99
TM8E080C20MP11	CF/CM/CU36C	1.01	1.00	1.01
TM8E080C20MP11	CF/CM/CU42C	1.01	1.03	0.99
TM8E080C20MP11	CF/CM/CU48C	0.99	1.02	0.97
TM8E080C20MP11	CF/CM/CU48D	0.99	1.03	0.96
TM8E080C20MP11	CF/CM36D	1.01	1.01	1.01
TM8E080C20MP11	CF/CM42D	1.01	1.04	0.97
TM8E100B12MP11	CF/CM/CU36B	1.02	0.96	1.06

FURNACE MULTIPLIERS - 3 TON (Continued)

Furnaces	Coil	MBH	COP	KW
TM8E100B12MP11	CF/CM/CU36C	1.02	0.97	1.05
TM8E100B12MP11	CF/CM/CU42C	1.00	0.98	1.02
TM8E100B12MP11	CF/CM/CU48C	1.01	0.99	1.01
TM8E100B12MP11	CF42B	1.02	0.98	1.03
TM8E100C16MP11	CF/CM/CU36C	1.02	1.00	1.02
TM8E100C16MP11	CF/CM/CU42C	1.00	1.00	1.00
TM8E100C16MP11	CF/CM/CU48C	0.98	0.99	0.99
TM8E100C16MP11	CF/CM/CU48D	0.98	0.99	0.98
TM8E100C16MP11	CF/CM36D	0.99	0.97	1.02
TM8E100C16MP11	CF/CM42D	0.99	1.00	0.99
TM8E100C20MP11	CF/CM/CU36C	1.01	1.00	1.01
TM8E100C20MP11	CF/CM/CU42C	1.01	1.03	0.99
TM8E100C20MP11	CF/CM/CU48C	0.99	1.02	0.97
TM8E100C20MP11	CF/CM/CU48D	0.99	1.03	0.97
TM8E100C20MP11	CF/CM36D	1.01	1.01	1.01
TM8E100C20MP11	CF/CM42D	1.01	1.04	0.97
TM8E120C16MP11	CF/CM/CU36C	0.99	0.97	1.03
TM8E120C16MP11	CF/CM/CU42C	1.00	1.00	1.00
TM8E120C16MP11	CF/CM/CU48C	0.98	0.99	0.99
TM8E120C16MP11	CF/CM/CU48D	0.98	0.99	0.98
TM8E120C16MP11	CF/CM36D	0.99	0.97	1.02
TM8E120C16MP11	CF/CM42D	0.99	1.00	0.99
TM8E120C20MP11	CF/CM/CU36C	1.01	1.00	1.01
TM8E120C20MP11	CF/CM/CU42C	1.01	1.03	0.99
TM8E120C20MP11	CF/CM/CU48C	1.00	1.03	0.97
TM8E120C20MP11	CF/CM/CU48D	1.00	1.03	0.97
TM8E120C20MP11	CF/CM36D	1.02	1.01	1.01
TM8E120C20MP11	CF/CM42D	1.02	1.04	0.98
TM8E130D20MP11	CF/CM/CU48D	1.00	1.03	0.97
TM8E130D20MP11	CF/CM36D	1.02	1.01	1.01
TM8E130D20MP11	CF/CM42D	1.02	1.04	0.98
TM8V080B12MP11C	CF42B	0.99	0.96	1.03
TM8V080C16MP11C	CF/CM/CU36C	1.00	0.97	1.03
TM8V080C16MP11C	CF/CM/CU42C	0.99	0.98	1.01
TM8V080C16MP11C	CF/CM36D	0.99	0.93	1.06
TM8V080C16MP11C	CF/CM42D	0.99	1.00	0.99
TM8V080C16MP12C	CF/CM/CU36C	1.00	0.97	1.03
TM8V080C16MP12C	CF/CM/CU36D	0.99	0.93	1.06
TM8V080C16MP12C	CF/CM/CU42C	0.99	0.98	1.01
TM8V080C16MP12C	CF/CM/CU42D	0.99	1.00	0.99
TM8V080C16MP12C	CF/CM36D	0.99	0.93	1.06
TM8V080C16MP12C	CF/CM42D	0.99	1.00	0.99
TM8V100C16MP11C	CF/CM/CU36C	1.00	0.97	1.03
TM8V100C16MP11C	CF/CM/CU42C	0.99	0.98	1.01
TM8V100C16MP11C	CF/CM36D	0.99	0.93	1.06
TM8V100C16MP11C	CF/CM42D	0.99	1.00	0.99
TM8V100C16MP12C	CF/CM/CU36C	1.00	0.97	1.03
TM8V100C16MP12C	CF/CM/CU36D	0.99	0.93	1.06
TM8V100C16MP12C	CF/CM/CU42C	0.99	0.98	1.01
TM8V100C16MP12C	CF/CM/CU42D	0.99	1.00	0.99
TM8V100C16MP12C	CF/CM36D	0.99	0.93	1.06
TM8V100C16MP12C	CF/CM42D	0.99	1.00	0.99
TM8V100C20MP11C	CF/CM/CU36C	0.99	0.99	1.00
TM8V100C20MP11C	CF/CM/CU42C	0.99	1.01	0.98
TM8V100C20MP11C	CF/CM42D	0.99	1.02	0.97

FURNACE MULTIPLIERS - 3 TON (Continued)

Furnaces	Coil	MBH	COP	KW
TM8V100C20MP12C	CF/CM/CU36C	0.99	0.99	1.00
TM8V100C20MP12C	CF/CM/CU42C	0.99	1.01	0.98
TM8V100C20MP12C	CF/CM/CU42D	0.99	1.02	0.97
TM8V100C20MP12C	CF/CM42D	0.99	1.02	0.97
TM8V120C20MP11C	CF/CM/CU36C	0.99	0.99	1.00
TM8V120C20MP11C	CF/CM/CU42C	0.99	1.01	0.98
TM8V120C20MP11C	CF/CM42D	0.99	1.02	0.97
TM8V120C20MP12C	CF/CM/CU36C	0.99	0.99	1.00
TM8V120C20MP12C	CF/CM/CU42C	0.99	1.01	0.98
TM8V120C20MP12C	CF/CM/CU42D	0.99	1.02	0.97
TM8V120C20MP12C	CF/CM42D	0.99	1.02	0.97
TM8X080B12MP11	CF/CM/CU36B	1.01	0.93	1.07
TM8X080B12MP11	CF42B	0.99	0.96	1.04
TM8X080C16MP11	CF/CM/CU36C	0.99	0.95	1.05
TM8X080C16MP11	CF/CM/CU42C	0.99	0.97	1.02
TM8X080C16MP11	CF/CM36D	0.98	0.97	1.01
TM8X080C16MP11	CF/CM36D	0.98	0.97	1.01
TM8X080C16MP11	CF/CM42D	0.98	1.01	0.98
TM8X080C16MP11	CF/CM42D	0.98	1.01	0.98
TM8X100C16MP11	CF/CM/CU36C	0.99	0.95	1.05
TM8X100C16MP11	CF/CM/CU42C	0.99	0.97	1.02
TM8X100C16MP11	CF/CM36D	0.98	0.97	1.01
TM8X100C16MP11	CF/CM36D	0.98	0.97	1.01
TM8X100C16MP11	CF/CM42D	0.98	1.01	0.98
TM8X100C16MP11	CF/CM42D	0.98	1.01	0.98
TM8X100C20MP11	CF/CM/CU36C	1.00	0.96	1.04
TM8X100C20MP11	CF/CM/CU42C	0.99	0.98	1.01
TM8X100C20MP11	CF/CM36D	0.98	0.98	1.00
TM8X100C20MP11	CF/CM36D	0.98	0.98	1.00
TM8X100C20MP11	CF/CM42D	0.99	1.03	0.96
TM8X100C20MP11	CF/CM42D	0.99	1.03	0.96
TM8X120C20MP11	CF/CM/CU36C	1.00	0.96	1.04
TM8X120C20MP11	CF/CM/CU42C	0.99	0.98	1.01
TM8X120C20MP11	CF/CM36D	0.98	0.98	1.00
TM8X120C20MP11	CF/CM36D	0.98	0.98	1.00
TM8X120C20MP11	CF/CM42D	0.99	1.03	0.96
TM8X120C20MP11	CF/CM42D	0.99	1.03	0.96
TM8Y080B12MP11	CF/CM/CU36B	1.01	0.93	1.07
TM8Y080B12MP11	CF42B	0.99	0.96	1.04
TM8Y080C16MP11	CF/CM/CU36C	0.99	0.95	1.05
TM8Y080C16MP11	CF/CM/CU42C	0.99	0.97	1.02
TM8Y080C16MP11	CF/CM36D	0.98	0.97	1.01
TM8Y080C16MP11	CF/CM36D	0.98	0.97	1.01
TM8Y080C16MP11	CF/CM42D	0.98	1.01	0.98
TM8Y080C16MP11	CF/CM42D	0.98	1.01	0.98
TM8Y100C16MP11	CF/CM/CU36C	0.99	0.95	1.05
TM8Y100C16MP11	CF/CM/CU42C	0.99	0.97	1.02
TM8Y100C16MP11	CF/CM36D	0.98	0.97	1.01
TM8Y100C16MP11	CF/CM36D	0.98	0.97	1.01
TM8Y100C16MP11	CF/CM42D	0.98	1.01	0.98
TM8Y100C16MP11	CF/CM42D	0.98	1.01	0.98
TM8Y100C20MP11	CF/CM/CU36C	1.00	0.96	1.04
TM8Y100C20MP11	CF/CM/CU42C	0.99	0.98	1.01
TM8Y100C20MP11	CF/CM36D	0.98	0.98	1.00
TM8Y100C20MP11	CF/CM36D	0.98	0.98	1.00

FURNACE MULTIPLIERS - 3 TON (Continued)

Furnaces	Coil	MBH	COP	KW
TM8Y100C20MP11	CF/CM42D	0.99	1.03	0.96
TM8Y100C20MP11	CF/CM42D	0.99	1.03	0.96
TM8Y120C20MP11	CF/CM/CU36C	1.00	0.96	1.04
TM8Y120C20MP11	CF/CM/CU42C	0.99	0.98	1.01
TM8Y120C20MP11	CF/CM36D	0.98	0.98	1.00
TM8Y120C20MP11	CF/CM36D	0.98	0.98	1.00
TM8Y120C20MP11	CF/CM42D	0.99	1.03	0.96
TM8Y120C20MP11	CF/CM42D	0.99	1.03	0.96
TM9E060A10MP12	CF/CM/CU36B	1.00	0.92	1.09
TM9E060A10MP12	CF42B	1.00	0.95	1.06
TM9E060B12MP12	CF/CM/CU36B	1.01	0.93	1.08
TM9E060B12MP12	CF/CM/CU36C	1.01	0.94	1.07
TM9E060B12MP12	CF/CM/CU42C	0.98	0.95	1.04
TM9E060B12MP12	CF/CM/CU48C	0.96	0.94	1.03
TM9E060B12MP12	CF42B	1.00	0.95	1.05
TM9E080B12MP11	CF/CM/CU36B	1.01	0.93	1.08
TM9E080B12MP11	CF42B	0.99	0.96	1.04
TM9E080B12MP12	CF/CM/CU36B	0.99	0.94	1.06
TM9E080B12MP12	CF/CM/CU36C	0.98	0.92	1.06
TM9E080B12MP12	CF/CM/CU42C	0.98	0.95	1.03
TM9E080B12MP12	CF/CM/CU48C	0.96	0.95	1.02
TM9E080B12MP12	CF42B	0.99	0.96	1.04
TM9E080C16MP11	CF/CM/CU36C	0.99	0.96	1.03
TM9E080C16MP11	CF/CM/CU42C	1.00	1.01	0.99
TM9E080C16MP11	CF/CM36D	0.99	0.97	1.02
TM9E080C16MP11	CF/CM42D	0.99	1.00	0.99
TM9E080C16MP12	CF/CM/CU36C	1.02	0.98	1.04
TM9E080C16MP12	CF/CM/CU42C	0.99	0.98	1.02
TM9E080C16MP12	CF/CM/CU48C	0.98	0.98	0.99
TM9E080C16MP12	CF/CM/CU48D	0.98	0.98	0.99
TM9E080C16MP12	CF/CM36D	1.02	0.98	1.03
TM9E080C16MP12	CF/CM42D	0.99	0.99	1.01
TM9E080C20MP12	CF/CM/CU36C	1.04	1.03	1.01
TM9E080C20MP12	CF/CM/CU42C	1.01	1.02	0.98
TM9E080C20MP12	CF/CM/CU48C	0.99	1.02	0.97
TM9E080C20MP12	CF/CM/CU48D	0.99	1.02	0.97
TM9E080C20MP12	CF/CM36D	1.01	1.00	1.01
TM9E080C20MP12	CF/CM42D	1.01	1.03	0.99
TM9E100C16MP11	CF/CM/CU36C	1.00	0.94	1.06
TM9E100C16MP11	CF/CM/CU42C	0.99	0.97	1.02
TM9E100C16MP11	CF/CM36D	0.99	0.97	1.02
TM9E100C16MP11	CF/CM36D	0.99	0.97	1.02
TM9E100C16MP11	CF/CM42D	0.99	1.00	0.99
TM9E100C16MP11	CF/CM42D	0.99	1.00	0.99
TM9E100C16MP12	CF/CM/CU36C	0.99	0.96	1.04
TM9E100C16MP12	CF/CM/CU42C	0.99	0.98	1.01
TM9E100C16MP12	CF/CM/CU48C	0.98	0.98	1.00
TM9E100C16MP12	CF/CM/CU48D	0.98	0.98	1.00
TM9E100C16MP12	CF/CM36D	0.99	0.96	1.04
TM9E100C16MP12	CF/CM42D	0.99	0.98	1.01
TM9E100C20MP11	CF/CM/CU36C	1.00	0.98	1.02
TM9E100C20MP11	CF/CM/CU42C	0.99	1.00	0.99
TM9E100C20MP11	CF/CM36D	0.99	0.97	1.02
TM9E100C20MP11	CF/CM36D	0.99	0.97	1.02
TM9E100C20MP11	CF/CM42D	0.99	0.99	1.02

FURNACE MULTIPLIERS - 3 TON (Continued)

Furnaces	Coil	MBH	COP	KW
TM9E100C20MP11	CF/CM42D	0.99	0.99	1.00
TM9E100C20MP12	CF/CM/CU36C	1.04	1.03	1.01
TM9E100C20MP12	CF/CM/CU42C	1.01	1.02	0.98
TM9E100C20MP12	CF/CM/CU48C	0.99	1.02	0.97
TM9E100C20MP12	CF/CM/CU48D	0.99	1.02	0.97
TM9E100C20MP12	CF/CM36D	1.01	0.99	1.01
TM9E100C20MP12	CF/CM42D	1.01	1.02	0.98
TM9E120D20MP11	CF/CM36D	0.99	0.98	1.02
TM9E120D20MP11	CF/CM36D	0.99	0.98	1.02
TM9E120D20MP11	CF/CM42D	0.99	1.00	0.99
TM9E120D20MP11	CF/CM42D	0.99	1.00	0.99
TM9E120D20MP12	CF/CM/CU48D	0.99	1.02	0.97
TM9E120D20MP12	CF/CM36D	1.01	1.00	1.01
TM9E120D20MP12	CF/CM42D	1.01	1.03	0.99
TM9V060B12MP11C	CF42B	1.00	0.99	1.01
TM9V060B12MP12C	CF42B	1.00	0.95	1.05
TM9V080B12MP11C	CF42B	1.00	0.97	1.03
TM9V080B12MP12C	CF42B	1.00	0.97	1.03
TM9V080C16MP11C	CF/CM/CU36C	1.00	0.95	1.05
TM9V080C16MP11C	CF/CM/CU42C	0.99	0.97	1.02
TM9V080C16MP11C	CF/CM36D	0.99	0.95	1.05
TM9V080C16MP12C	CF/CM/CU36C	1.00	0.95	1.05
TM9V080C16MP12C	CF/CM/CU36D	0.99	0.95	1.05
TM9V080C16MP12C	CF/CM/CU42C	0.99	0.97	1.02
TM9V080C16MP12C	CF/CM36D	0.99	0.95	1.05
TM9V100C16MP11C	CF/CM/CU36C	1.00	0.96	1.05
TM9V100C16MP11C	CF/CM/CU42C	0.99	0.98	1.01
TM9V100C16MP11C	CF/CM36D	0.99	0.94	1.06
TM9V100C16MP11C	CF/CM42D	0.99	1.01	0.98
TM9V100C16MP12C	CF/CM/CU36C	1.00	0.96	1.05
TM9V100C16MP12C	CF/CM/CU36D	0.99	0.94	1.06
TM9V100C16MP12C	CF/CM/CU42C	0.99	0.98	1.01
TM9V100C16MP12C	CF/CM/CU42D	0.99	1.01	0.98
TM9V100C16MP12C	CF/CM36D	0.99	0.94	1.06
TM9V100C16MP12C	CF/CM42D	0.99	1.01	0.98
TM9V100C20MP11C	CF/CM/CU36C	1.00	0.97	1.03
TM9V100C20MP11C	CF/CM/CU42C	0.99	0.99	1.01
TM9V100C20MP11C	CF/CM36D	1.00	0.98	1.02
TM9V100C20MP11C	CF/CM42D	0.99	1.01	0.99
TM9V100C20MP12C	CF/CM/CU36C	1.00	0.97	1.03
TM9V100C20MP12C	CF/CM/CU36D	1.00	0.98	1.02
TM9V100C20MP12C	CF/CM/CU42C	0.99	0.99	1.01
TM9V100C20MP12C	CF/CM/CU42D	0.99	1.01	0.99
TM9V100C20MP12C	CF/CM36D	1.00	0.98	1.02
TM9V100C20MP12C	CF/CM42D	0.99	1.01	0.99
TM9V120D20MP11C	CF/CM36D	0.99	0.97	1.02
TM9V120D20MP11C	CF/CM42D	0.99	1.01	0.98
TM9V120D20MP12C	CF/CM/CU36D	0.99	0.97	1.02
TM9V120D20MP12C	CF/CM/CU42D	0.99	1.01	0.98
TM9V120D20MP12C	CF/CM36D	0.99	0.97	1.02
TM9V120D20MP12C	CF/CM42D	0.99	1.01	0.98
TM9Y080B12MP11	CF/CM/CU36B	1.01	0.93	1.08
TM9Y080B12MP11	CF42B	0.99	0.96	1.04
TM9Y080C16MP11	CF/CM/CU36C	0.99	0.96	1.03
TM9Y080C16MP11	CF/CM/CU42C	1.00	1.01	0.99

FURNACE MULTIPLIERS - 3 TON (Continued)

Furnaces	Coil	MBH	COP	KW
TM9Y080C16MP11	CF/CM36D	0.99	0.97	1.02
TM9Y080C16MP11	CF/CM42D	0.99	1.00	0.99
TM9Y100C16MP11	CF/CM/CU36C	1.00	0.94	1.06
TM9Y100C16MP11	CF/CM/CU42C	0.99	0.97	1.02
TM9Y100C16MP11	CF/CM36D	0.99	0.97	1.02
TM9Y100C16MP11	CF/CM36D	0.99	0.97	1.02
TM9Y100C16MP11	CF/CM42D	0.99	1.00	0.99
TM9Y100C16MP11	CF/CM42D	0.99	1.00	0.99
TM9Y100C20MP11	CF/CM/CU36C	1.00	0.98	1.02
TM9Y100C20MP11	CF/CM/CU42C	0.99	1.00	0.99
TM9Y100C20MP11	CF/CM36D	0.99	0.97	1.02
TM9Y100C20MP11	CF/CM36D	0.99	0.97	1.02
TM9Y100C20MP11	CF/CM42D	0.99	0.99	1.00
TM9Y100C20MP11	CF/CM42D	0.99	0.99	1.00
TM9Y100C20MP11	CF/CM42D	0.99	0.99	1.00
TM9Y120D20MP11	CF/CM36D	0.99	0.98	1.02
TM9Y120D20MP11	CF/CM36D	0.99	0.98	1.02
TM9Y120D20MP11	CF/CM42D	0.99	1.00	0.99
TM9Y120D20MP11	CF/CM42D	0.99	1.00	0.99
TMLE040A12MP11	CF/CM/CU36B	1.02	0.96	1.06
TMLE040A12MP11	CF/CM36A	0.99	0.92	1.07
TMLE040A12MP11	CF42B	1.01	0.98	1.03
TMLE060A12MP11	CF/CM/CU36B	0.99	0.94	1.05
TMLE060A12MP11	CF/CM36A	0.99	0.92	1.07
TMLE060A12MP11	CF42B	1.02	0.98	1.04
TMLE080B12MP11	CF/CM/CU36B	0.99	0.93	1.06
TMLE080B12MP11	CF/CM/CU36C	0.99	0.95	1.05
TMLE080B12MP11	CF/CM/CU42C	0.99	0.97	1.02
TMLE080B12MP11	CF/CM/CU48C	0.98	0.97	1.01
TMLE080B12MP11	CF42B	1.02	0.98	1.04
TMLE080C16MP11	CF/CM/CU36C	0.99	0.97	1.03
TMLE080C16MP11	CF/CM/CU42C	0.99	0.99	1.00
TMLE080C16MP11	CF/CM/CU48C	0.98	0.99	0.99
TMLE080C16MP11	CF/CM/CU48D	0.98	0.99	0.99
TMLE080C16MP11	CF/CM36D	0.99	0.97	1.02
TMLE080C16MP11	CF/CM42D	0.99	1.00	0.99
TMLE080C20MP11	CF/CM/CU36C	1.01	1.00	1.01
TMLE080C20MP11	CF/CM/CU42C	1.01	1.03	0.99
TMLE080C20MP11	CF/CM/CU48C	0.99	1.02	0.97
TMLE080C20MP11	CF/CM/CU48D	0.99	1.03	0.96
TMLE080C20MP11	CF/CM36D	1.01	1.01	1.01
TMLE080C20MP11	CF/CM42D	1.01	1.04	0.97
TMLE100B12MP11	CF/CM/CU36B	1.02	0.96	1.06
TMLE100B12MP11	CF/CM/CU36C	1.02	0.97	1.05
TMLE100B12MP11	CF/CM/CU42C	1.00	0.98	1.02
TMLE100B12MP11	CF/CM/CU48C	1.01	0.99	1.01
TMLE100B12MP11	CF42B	1.02	0.98	1.03
TMLE100C16MP11	CF/CM/CU36C	1.02	1.00	1.02
TMLE100C16MP11	CF/CM/CU42C	1.00	1.00	1.00
TMLE100C16MP11	CF/CM/CU48C	0.98	0.99	0.99
TMLE100C16MP11	CF/CM/CU48D	0.98	0.99	0.98
TMLE100C16MP11	CF/CM36D	0.99	0.97	1.02
TMLE100C16MP11	CF/CM42D	0.99	1.00	0.99
TMLE100C20MP11	CF/CM/CU36C	1.01	1.00	1.01
TMLE100C20MP11	CF/CM/CU42C	1.01	1.03	0.99
TMLE100C20MP11	CF/CM/CU48C	0.99	1.02	0.97
TMLE100C20MP11	CF/CM/CU48C	0.99	1.02	0.97

FURNACE MULTIPLIERS - 3 TON (Continued)

Furnaces	Coil	MBH	COP	KW
TMLE100C20MP11	CF/CM/CU48D	0.99	1.03	0.97
TMLE100C20MP11	CF/CM36D	1.01	1.01	1.01
TMLE100C20MP11	CF/CM42D	1.01	1.04	0.97
TMLE120C16MP11	CF/CM/CU36C	0.99	0.97	1.03
TMLE120C16MP11	CF/CM/CU42C	1.00	1.00	1.00
TMLE120C16MP11	CF/CM/CU48C	0.98	0.99	0.99
TMLE120C16MP11	CF/CM/CU48D	0.98	0.99	0.98
TMLE120C16MP11	CF/CM36D	0.99	0.97	1.02
TMLE120C16MP11	CF/CM42D	0.99	1.00	0.99
TMLE120C20MP11	CF/CM/CU36C	1.01	1.00	1.01
TMLE120C20MP11	CF/CM/CU42C	1.01	1.03	0.99
TMLE120C20MP11	CF/CM/CU48C	1.00	1.03	0.97
TMLE120C20MP11	CF/CM/CU48D	1.00	1.03	0.97
TMLE120C20MP11	CF/CM36D	1.02	1.01	1.01
TMLE120C20MP11	CF/CM42D	1.02	1.04	0.98
TMLE130D20MP11	CF/CM/CU48D	1.00	1.03	0.97
TMLE130D20MP11	CF/CM36D	1.02	1.01	1.01
TMLE130D20MP11	CF/CM42D	1.02	1.04	0.98
TMLV080B12MP11C	CF42B	0.99	0.96	1.03
TMLV080C16MP11C	CF/CM/CU36C	1.00	0.97	1.03
TMLV080C16MP11C	CF/CM/CU42C	0.99	0.98	1.01
TMLV080C16MP11C	CF/CM36D	0.99	0.93	1.06
TMLV080C16MP11C	CF/CM42D	0.99	1.00	0.99
TMLV080C16MP12C	CF/CM/CU36C	1.00	0.97	1.03
TMLV080C16MP12C	CF/CM/CU36D	0.99	0.93	1.06
TMLV080C16MP12C	CF/CM/CU42C	0.99	0.98	1.01
TMLV080C16MP12C	CF/CM/CU42D	0.99	1.00	0.99
TMLV080C16MP12C	CF/CM36D	0.99	0.93	1.06
TMLV080C16MP12C	CF/CM42D	0.99	1.00	0.99
TMLV100C16MP11C	CF/CM/CU36C	1.00	0.97	1.03
TMLV100C16MP11C	CF/CM/CU42C	0.99	0.98	1.01
TMLV100C16MP11C	CF/CM36D	0.99	0.93	1.06
TMLV100C16MP11C	CF/CM42D	0.99	1.00	0.99
TMLV100C16MP12C	CF/CM/CU36C	1.00	0.97	1.03
TMLV100C16MP12C	CF/CM/CU36D	0.99	0.93	1.06
TMLV100C16MP12C	CF/CM/CU42C	0.99	0.98	1.01
TMLV100C16MP12C	CF/CM/CU42D	0.99	1.00	0.99
TMLV100C16MP12C	CF/CM36D	0.99	0.93	1.06
TMLV100C16MP12C	CF/CM42D	0.99	1.00	0.99
TMLV100C20MP11C	CF/CM/CU36C	0.99	0.99	1.00
TMLV100C20MP11C	CF/CM/CU42C	0.99	1.01	0.98
TMLV100C20MP11C	CF/CM42D	0.99	1.02	0.97
TMLV100C20MP12C	CF/CM/CU36C	0.99	0.99	1.00
TMLV100C20MP12C	CF/CM/CU42C	0.99	1.01	0.98
TMLV100C20MP12C	CF/CM/CU42D	0.99	1.02	0.97
TMLV100C20MP12C	CF/CM42D	0.99	1.02	0.97
TMLV120C20MP11C	CF/CM/CU36C	0.99	0.99	1.00
TMLV120C20MP11C	CF/CM/CU42C	0.99	1.01	0.98
TMLV120C20MP11C	CF/CM42D	0.99	1.02	0.97
TMLV120C20MP12C	CF/CM/CU36C	0.99	0.99	1.00
TMLV120C20MP12C	CF/CM/CU42C	0.99	1.01	0.98
TMLV120C20MP12C	CF/CM/CU42D	0.99	1.02	0.97
TMLV120C20MP12C	CF/CM42D	0.99	1.02	0.97
TMLX080B12MP11	CF/CM/CU36B	1.01	0.93	1.07
TMLX080B12MP11	CF42B	0.99	0.96	1.04

FURNACE MULTIPLIERS - 3 TON (Continued)

Furnaces	Coil	MBH	COP	KW
TMLX080C16MP11	CF/CM/CU36C	0.99	0.95	1.05
TMLX080C16MP11	CF/CM/CU42C	0.99	0.97	1.02
TMLX080C16MP11	CF/CM36D	0.98	0.97	1.01
TMLX080C16MP11	CF/CM36D	0.98	0.97	1.01
TMLX080C16MP11	CF/CM42D	0.98	1.01	0.98
TMLX080C16MP11	CF/CM42D	0.98	1.01	0.98
TMLX100C16MP11	CF/CM/CU36C	0.99	0.95	1.05
TMLX100C16MP11	CF/CM/CU42C	0.99	0.97	1.02
TMLX100C16MP11	CF/CM36D	0.98	0.97	1.01
TMLX100C16MP11	CF/CM36D	0.98	0.97	1.01
TMLX100C16MP11	CF/CM42D	0.98	1.01	0.98
TMLX100C16MP11	CF/CM42D	0.98	1.01	0.98
TMLX100C20MP11	CF/CM/CU36C	1.00	0.96	1.04
TMLX100C20MP11	CF/CM/CU42C	0.99	0.98	1.01
TMLX100C20MP11	CF/CM36D	0.98	0.98	1.00
TMLX100C20MP11	CF/CM36D	0.98	0.98	1.00
TMLX100C20MP11	CF/CM42D	0.99	1.03	0.96
TMLX100C20MP11	CF/CM42D	0.99	1.03	0.96
TMLX120C20MP11	CF/CM/CU36C	1.00	0.96	1.04
TMLX120C20MP11	CF/CM/CU42C	0.99	0.98	1.01
TMLX120C20MP11	CF/CM36D	0.98	0.98	1.00
TMLX120C20MP11	CF/CM36D	0.98	0.98	1.00
TMLX120C20MP11	CF/CM42D	0.99	1.03	0.96
TMLX120C20MP11	CF/CM42D	0.99	1.03	0.96
TP9C060B12MP12C	CF42B	1.00	0.99	1.01
TP9C060B12MP13C	CF42B	1.00	0.95	1.05
TP9C080B12MP12C	CF42B	1.00	0.97	1.03
TP9C080B12MP13C	CF42B	1.00	0.97	1.03
TP9C080C16MP12C	CF/CM/CU42C	1.01	1.01	1.00
TP9C080C16MP13C	CF/CM/CU36C	1.00	0.95	1.05
TP9C080C16MP13C	CF/CM/CU36D	0.99	0.95	1.05
TP9C080C16MP13C	CF/CM/CU42C	0.99	0.97	1.02
TP9C080C16MP13C	CF/CM36D	0.99	0.95	1.05
TP9C100C16MP12C	CF/CM/CU36C	1.00	0.96	1.05
TP9C100C16MP12C	CF/CM/CU42C	0.99	0.98	1.01
TP9C100C16MP12C	CF/CM36D	0.99	0.94	1.06
TP9C100C16MP12C	CF/CM42D	0.99	1.01	0.98
TP9C100C16MP13C	CF/CM/CU36C	1.00	0.96	1.05
TP9C100C16MP13C	CF/CM/CU36D	0.99	0.94	1.06
TP9C100C16MP13C	CF/CM/CU42C	0.99	0.98	1.01
TP9C100C16MP13C	CF/CM/CU42D	0.99	1.01	0.98
TP9C100C16MP13C	CF/CM36D	0.99	0.94	1.06
TP9C100C16MP13C	CF/CM42D	0.99	1.01	0.98
TP9C100C20MP12C	CF/CM/CU36C	1.00	0.97	1.03
TP9C100C20MP12C	CF/CM/CU42C	0.99	0.99	1.01
TP9C100C20MP12C	CF/CM36D	1.00	0.98	1.02
TP9C100C20MP12C	CF/CM42D	0.99	1.01	0.99
TP9C100C20MP13C	CF/CM/CU36C	1.00	0.97	1.03
TP9C100C20MP13C	CF/CM/CU36D	1.00	0.98	1.02
TP9C100C20MP13C	CF/CM/CU42C	0.99	0.99	1.01
TP9C100C20MP13C	CF/CM/CU42D	0.99	1.01	0.99
TP9C100C20MP13C	CF/CM36D	1.00	0.98	1.02
TP9C100C20MP13C	CF/CM42D	0.99	1.01	0.99
TP9C120D20MP12C	CF/CM36D	0.99	0.97	1.02
TP9C120D20MP12C	CF/CM42D	0.99	1.01	0.98

FURNACE MULTIPLIERS - 3 TON (Continued)

Furnaces	Coil	MBH	COP	KW
TP9C120D20MP13C	CF/CM/CU36D	0.99	0.97	1.02
TP9C120D20MP13C	CF/CM/CU42D	0.99	1.01	0.98
TP9C120D20MP13C	CF/CM36D	0.99	0.97	1.02
TP9C120D20MP13C	CF/CM42D	0.99	1.01	0.98
TPLC080B12MP12C	CF42B	0.99	0.96	1.03
TPLC080C16MP12C	CF/CM/CU36C	1.00	0.97	1.03
TPLC080C16MP12C	CF/CM/CU42C	0.99	0.98	1.01
TPLC080C16MP12C	CF/CM36D	0.99	0.93	1.06
TPLC080C16MP12C	CF/CM42D	0.99	1.00	0.99
TPLC080C16MP13C	CF/CM/CU36C	1.00	0.97	1.03
TPLC080C16MP13C	CF/CM/CU36D	0.99	0.93	1.06
TPLC080C16MP13C	CF/CM/CU42C	0.99	0.98	1.01
TPLC080C16MP13C	CF/CM/CU42D	0.99	1.00	0.99
TPLC080C16MP13C	CF/CM36D	0.99	0.93	1.06
TPLC080C16MP13C	CF/CM42D	0.99	1.00	0.99
TPLC100C16MP12C	CF/CM/CU36C	1.00	0.97	1.03
TPLC100C16MP12C	CF/CM/CU42C	0.99	0.98	1.01
TPLC100C16MP12C	CF/CM36D	0.99	0.93	1.06
TPLC100C16MP12C	CF/CM42D	0.99	1.00	0.99
TPLC100C16MP13C	CF/CM/CU36C	1.00	0.97	1.03
TPLC100C16MP13C	CF/CM/CU36D	0.99	0.93	1.06
TPLC100C16MP13C	CF/CM/CU42C	0.99	0.98	1.01
TPLC100C16MP13C	CF/CM/CU42D	0.99	1.00	0.99
TPLC100C16MP13C	CF/CM36D	0.99	0.93	1.06
TPLC100C16MP13C	CF/CM42D	0.99	1.00	0.99
TPLC100C20MP12C	CF/CM/CU36C	0.99	0.99	1.00
TPLC100C20MP12C	CF/CM/CU42C	0.99	1.01	0.98
TPLC100C20MP12C	CF/CM42D	0.99	1.02	0.97
TPLC100C20MP13C	CF/CM/CU36C	0.99	0.99	1.00
TPLC100C20MP13C	CF/CM/CU42C	0.99	1.01	0.98
TPLC100C20MP13C	CF/CM/CU42D	0.99	1.02	0.97
TPLC100C20MP13C	CF/CM42D	0.99	1.02	0.97
TPLC120C20MP12C	CF/CM/CU36C	0.99	0.99	1.00
TPLC120C20MP12C	CF/CM/CU42C	0.99	1.01	0.98
TPLC120C20MP12C	CF/CM42D	0.99	1.02	0.97
TPLC120C20MP13C	CF/CM/CU36C	0.99	0.99	1.00
TPLC120C20MP13C	CF/CM/CU42C	0.99	1.01	0.98
TPLC120C20MP13C	CF/CM/CU42D	0.99	1.02	0.97
TPLC120C20MP13C	CF/CM42D	0.99	1.02	0.97
YP9C060B12MP12C	CF42B	1.00	0.99	1.01
YP9C060B12MP13C	CF42B	1.00	0.95	1.05
YP9C080B12MP12C	CF42B	1.00	0.97	1.03
YP9C080B12MP13C	CF42B	1.00	0.97	1.03
YP9C080C16MP12C	CF/CM/CU42C	1.01	1.01	1.00
YP9C080C16MP13C	CF/CM/CU36C	1.00	0.95	1.05
YP9C080C16MP13C	CF/CM/CU36D	0.99	0.95	1.05
YP9C080C16MP13C	CF/CM/CU42C	0.99	0.97	1.02
YP9C080C16MP13C	CF/CM36D	0.99	0.95	1.05
YP9C100C16MP12C	CF/CM/CU36C	1.00	0.96	1.05
YP9C100C16MP12C	CF/CM/CU42C	0.99	0.98	1.01
YP9C100C16MP12C	CF/CM36D	0.99	0.94	1.06
YP9C100C16MP12C	CF/CM42D	0.99	1.01	0.98
YP9C100C16MP13C	CF/CM/CU36C	1.00	0.96	1.05
YP9C100C16MP13C	CF/CM/CU36D	0.99	0.94	1.06
YP9C100C16MP13C	CF/CM/CU42C	0.99	0.98	1.01

FURNACE MULTIPLIERS - 3 TON (Continued)

Furnaces	Coil	MBH	COP	KW
YP9C100C16MP13C	CF/CM/CU42D	0.99	1.01	0.98
YP9C100C16MP13C	CF/CM36D	0.99	0.94	1.06
YP9C100C16MP13C	CF/CM42D	0.99	1.01	0.98
YP9C100C20MP12C	CF/CM/CU36C	1.00	0.97	1.03
YP9C100C20MP12C	CF/CM/CU42C	0.99	0.99	1.01
YP9C100C20MP12C	CF/CM36D	1.00	0.98	1.02
YP9C100C20MP12C	CF/CM42D	0.99	1.01	0.99
YP9C100C20MP13C	CF/CM/CU36C	1.00	0.97	1.03
YP9C100C20MP13C	CF/CM/CU36D	1.00	0.98	1.02
YP9C100C20MP13C	CF/CM/CU42C	0.99	0.99	1.01
YP9C100C20MP13C	CF/CM/CU42D	0.99	1.01	0.99
YP9C100C20MP13C	CF/CM36D	1.00	0.98	1.02
YP9C100C20MP13C	CF/CM42D	0.99	1.01	0.99
YP9C100C20MP13C	CF/CM42D	0.99	1.01	0.99
YP9C120D20MP12C	CF/CM36D	0.99	0.97	1.02
YP9C120D20MP12C	CF/CM42D	0.99	1.01	0.98
YP9C120D20MP13C	CF/CM/CU36D	0.99	0.97	1.02
YP9C120D20MP13C	CF/CM/CU42D	0.99	1.01	0.98
YP9C120D20MP13C	CF/CM36D	0.99	0.97	1.02
YP9C120D20MP13C	CF/CM42D	0.99	1.01	0.98
YPLC080B12MP12C	CF42B	0.99	0.96	1.03
YPLC080C16MP12C	CF/CM/CU36C	1.00	0.97	1.03
YPLC080C16MP12C	CF/CM/CU42C	0.99	0.98	1.01
YPLC080C16MP12C	CF/CM36D	0.99	0.93	1.06
YPLC080C16MP12C	CF/CM42D	0.99	1.00	0.99
YPLC080C16MP13C	CF/CM/CU36C	1.00	0.97	1.03
YPLC080C16MP13C	CF/CM/CU36D	0.99	0.93	1.06
YPLC080C16MP13C	CF/CM/CU42C	0.99	0.98	1.01
YPLC080C16MP13C	CF/CM/CU42D	0.99	1.00	0.99
YPLC080C16MP13C	CF/CM36D	0.99	0.93	1.06
YPLC080C16MP13C	CF/CM42D	0.99	1.00	0.99
YPLC100C16MP12C	CF/CM/CU36C	1.00	0.97	1.03
YPLC100C16MP12C	CF/CM/CU42C	0.99	0.98	1.01
YPLC100C16MP12C	CF/CM36D	0.99	0.93	1.06
YPLC100C16MP12C	CF/CM42D	0.99	1.00	0.99
YPLC100C16MP13C	CF/CM/CU36C	1.00	0.97	1.03
YPLC100C16MP13C	CF/CM/CU36D	0.99	0.93	1.06
YPLC100C16MP13C	CF/CM/CU42C	0.99	0.98	1.01
YPLC100C16MP13C	CF/CM/CU42D	0.99	1.00	0.99
YPLC100C16MP13C	CF/CM36D	0.99	0.93	1.06
YPLC100C16MP13C	CF/CM42D	0.99	1.00	0.99
YPLC100C20MP12C	CF/CM/CU36C	0.99	0.99	1.00
YPLC100C20MP12C	CF/CM/CU42C	0.99	1.01	0.98
YPLC100C20MP12C	CF/CM42D	0.99	1.02	0.97
YPLC100C20MP13C	CF/CM/CU36C	0.99	0.99	1.00
YPLC100C20MP13C	CF/CM/CU42C	0.99	1.01	0.98
YPLC100C20MP13C	CF/CM/CU42D	0.99	1.02	0.97
YPLC100C20MP13C	CF/CM42D	0.99	1.02	0.97
YPLC120C20MP12C	CF/CM/CU36C	0.99	0.99	1.00
YPLC120C20MP12C	CF/CM/CU42C	0.99	1.01	0.98
YPLC120C20MP12C	CF/CM42D	0.99	1.02	0.97
YPLC120C20MP13C	CF/CM/CU36C	0.99	0.99	1.00
YPLC120C20MP13C	CF/CM/CU42C	0.99	1.01	0.98
YPLC120C20MP13C	CF/CM/CU42D	0.99	1.02	0.97
YPLC120C20MP13C	CF/CM42D	0.99	1.02	0.97

PERFORMANCE DATA - 3 TON

CONDENSER-ONLY DATA (OUTDOOR UNIT)																
MODEL	SATURATED SUCTION @ COMPRESSOR		Outdoor Ambient Temperature													
			65 °F		75 °F		85 °F		95 °F		105 °F		115 °F		125 °F	
	T (°F)	P (PSIG)	MBH	KW	MBH	KW	MBH	KW	MBH	KW	MBH	KW	MBH	KW	MBH	KW
YHE36B22S	35	107	35.1	2.34	33.2	2.55	31.4	2.79	29.4	3.07	27.3	3.40	25.1	3.78	22.8	4.24
	40	119	38.7	2.34	36.7	2.56	34.6	2.80	32.5	3.07	30.3	3.40	27.9	3.78	25.4	4.22
	45	130	42.4	2.36	40.3	2.56	38.1	2.80	35.7	3.07	33.3	3.40	30.9	3.77	28.2	4.20
	50	143	46.4	2.37	44.0	2.58	41.7	2.81	39.2	3.08	36.5	3.41	33.9	3.78	31.2	4.19
	55	156	50.5	2.39	48.0	2.60	45.4	2.83	42.8	3.09	39.2	3.45	36.2	3.84	34.2	4.19

Notes:

- For Outdoor Unit (Condenser) performance only. Data does not include the effects of air handler power or heat.
- Performance based on 15°F subcooling and 15°F superheat at the Outdoor Unit base valves.
 - Increase capacity by 1% for each 2°F increase in subcooling.
 - Decrease capacity by 1% for each 2°F decrease in subcooling.
- Maximum recommended condensing temperature is 140°F.

COOLING PERFORMANCE DATA																	
AIR CONDITIONER MODEL NO.		YHE36B22S															
AIR TEMP. ENTERING OUTDOOR UNIT (°F)	IDCFM	1000					1200					1400					
		ID DB (°F)	80	80	75	80	80	80	80	75	80	80	80	80	75	80	80
		ID WB (°F)	57	62	62	67	72	57	62	62	67	72	57	62	62	67	72
65	T.C.	36.9	38.0	37.0	40.1	40.6	39.4	39.4	38.4	41.5	41.6	42.0	40.9	39.9	42.9	42.6	
	S.C.	32.6	30.8	25.8	25.4	19.1	34.3	33.2	27.8	27.0	20.3	36.0	35.6	29.9	28.7	21.5	
	KW	2.21	2.22	2.23	2.25	2.26	2.30	2.31	2.31	2.32	2.33	2.38	2.39	2.39	2.40	2.41	
75	T.C.	35.8	36.4	36.0	39.3	39.9	38.5	38.0	37.3	40.9	41.5	41.2	39.6	38.7	42.6	43.2	
	S.C.	31.6	30.3	25.5	25.2	19.1	33.4	32.8	27.7	27.3	20.7	35.2	35.4	29.9	29.4	22.2	
	KW	2.40	2.41	2.42	2.43	2.45	2.48	2.49	2.50	2.51	2.52	2.57	2.57	2.57	2.59	2.60	
85	T.C.	34.7	35.1	34.4	37.8	38.4	37.2	36.7	35.6	39.2	39.3	39.7	38.3	36.8	40.6	40.3	
	S.C.	30.5	29.7	24.8	24.6	18.7	32.1	32.2	27.0	26.8	19.9	33.7	34.6	29.1	28.9	21.1	
	KW	2.66	2.69	2.68	2.70	2.71	2.74	2.76	2.75	2.78	2.78	2.83	2.83	2.82	2.85	2.85	
95	T.C.	33.6	33.7	32.8	36.3	36.9	35.9	35.4	33.8	37.4	37.1	38.2	37.1	34.9	38.6	37.3	
	S.C.	29.3	29.1	24.2	24.1	18.2	30.8	31.5	26.2	26.2	19.2	32.3	33.9	28.2	28.4	20.1	
	KW	2.93	2.96	2.95	2.97	2.96	3.01	3.03	3.01	3.04	3.03	3.08	3.10	3.07	3.11	3.11	
105	T.C.	32.3	32.4	31.2	34.8	34.9	34.6	34.2	32.3	35.9	35.3	37.0	35.9	33.4	37.1	35.7	
	S.C.	28.2	28.1	23.4	23.5	17.5	29.6	30.3	25.5	25.6	18.6	31.0	32.6	27.6	27.8	19.7	
	KW	3.25	3.27	3.26	3.28	3.27	3.32	3.34	3.33	3.35	3.35	3.39	3.41	3.39	3.42	3.42	
115	T.C.	31.0	31.2	29.7	33.2	33.0	33.4	32.9	30.8	34.4	33.5	35.7	34.6	32.0	35.7	34.0	
	S.C.	27.0	27.2	22.7	22.9	16.8	28.4	29.2	24.8	25.0	18.1	29.8	31.2	26.9	27.2	19.3	
	KW	3.57	3.58	3.58	3.58	3.58	3.64	3.65	3.64	3.66	3.66	3.71	3.72	3.70	3.74	3.73	
125	T.C.	29.7	30.0	28.1	31.7	31.0	32.1	31.7	29.3	32.9	31.7	34.4	33.4	30.5	34.2	32.4	
	S.C.	25.8	26.2	21.9	22.3	16.2	27.2	28.0	24.1	24.4	17.5	28.5	29.9	26.2	26.6	18.9	
	KW	3.90	3.89	3.89	3.88	3.89	3.96	3.96	3.96	3.96	3.96	4.02	4.03	4.02	4.05	4.05	

NOTE: ALL CAPACITIES INCLUDE INDOOR FAN HEAT. KW VALUES ARE FOR THE SYSTEM (OUTDOOR + INDOOR).

Green shaded cells are ACCA (TVA) conditions.

Blue shaded cells are AHRI conditions.

Multipliers for determining the performance with other indoor sections.

NOTE: For dry bulb temperatures different than those listed (between 73-87 °F), sensible capacity increases by 1060 BTUH per 1000 CFM per degree above the listed temperature and decreases by 1060 BTUH per 1000 CFM per degree below the listed temperature.

COIL MULTIPLIERS - 3 TON

Air Handler	Coil	T.C.	S.C.	KW
-	CF/CM/CU48C	1.00	1.14	1.01
-	CF/CM/CU48D	1.00	1.14	1.01
AE42CBF21	-	1.00	1.02	0.92
AE42CX21	-	1.00	1.02	0.92
AE48CX21	-	1.00	1.08	0.94
AE48DX21	-	1.00	1.09	0.92
AP37CBA21	-	1.00	1.00	1.00
AP37CBF21	-	1.00	1.00	1.00
AP37CX21	-	1.00	1.00	1.00
AP48DX21	-	1.00	1.21	1.03
AVC42CX21	-	1.01	1.08	0.93
AVC48CX21	-	1.00	1.07	0.94
AVC48DX21	-	1.00	1.08	0.92
ME12CN21	CF/CM48C	1.00	1.06	0.94
ME14DN21	CF/CM48D	1.00	1.08	0.92
ME16CN21	CF/CM48C	1.00	1.11	0.94
ME20DN21	CF/CM48D	1.00	1.20	0.92
MVC12CN21	CF/CM48C	1.00	1.06	0.94
MVC14DN21	CF/CM48D	1.00	1.06	0.92
MVC16CN21	CF/CM48C	1.00	1.08	0.94
MVC20DN21	CF/CM48D	1.00	1.17	0.92

FURNACE MULTIPLIERS - 3 TON

Furnaces	Coil	T.C.	S.C.	KW
TL8E060A12UH11	CF/CM/CU48C	1.00	1.00	0.96
TL8E080C16UH11	CF/CM/CU48C	1.00	1.03	0.92
TL8E080C16UH11	CF/CM/CU48D	1.00	1.03	0.92
TL8E100C20UH11	CF/CM/CU48C	1.00	1.07	0.92
TL8E100C20UH11	CF/CM/CU48D	1.00	1.08	0.92
TL9E060B12UH11	CF/CM/CU48C	1.00	0.99	0.98
TL9E080C16UH11	CF/CM/CU48C	1.00	1.01	0.96
TL9E080C16UH11	CF/CM/CU48D	1.00	1.02	0.96
TL9E100C20UH11	CF/CM/CU48C	1.00	1.06	0.92
TL9E100C20UH11	CF/CM/CU48D	1.00	1.08	0.92
TM8E080B12MP11	CF/CM/CU48C	1.00	1.00	0.96
TM8E080C16MP11	CF/CM/CU48C	1.00	1.02	0.92
TM8E080C16MP11	CF/CM/CU48D	1.00	1.09	0.96
TM8E080C20MP11	CF/CM/CU48C	1.00	1.07	0.92
TM8E080C20MP11	CF/CM/CU48D	1.00	1.08	0.92
TM8E100B12MP11	CF/CM/CU48C	1.00	1.02	0.96
TM8E100C16MP11	CF/CM/CU48C	1.00	1.03	0.92
TM8E100C16MP11	CF/CM/CU48D	1.00	1.03	0.92
TM8E100C20MP11	CF/CM/CU48C	1.00	1.07	0.92
TM8E100C20MP11	CF/CM/CU48D	1.00	1.08	0.92
TM8E120C16MP11	CF/CM/CU48C	1.00	1.03	0.92
TM8E120C16MP11	CF/CM/CU48D	1.00	1.03	0.92
TM8E120C20MP11	CF/CM/CU48C	1.00	1.09	0.92
TM8E120C20MP11	CF/CM/CU48D	1.00	1.09	0.92
TM8E130D20MP11	CF/CM/CU48D	1.00	1.09	0.92
TM8V080B12MP11C	CF/CM/CU48C	1.00	1.05	0.96
TM8V080B12MP12C	CF/CM/CU48C	1.00	1.05	0.96
TM8V080C16MP11C	CF/CM/CU48C	1.00	1.08	0.93
TM8V080C16MP11C	CF/CM/CU48D	1.00	1.03	0.92
TM8V080C16MP12C	CF/CM/CU48C	1.00	1.08	0.93
TM8V080C16MP12C	CF/CM/CU48D	1.00	1.03	0.92

FURNACE MULTIPLIERS - 3 TON (Continued)

Furnaces	Coil	T.C.	S.C.	KW
TM8V100C16MP11C	CF/CM/CU48C	1.00	1.08	0.93
TM8V100C16MP11C	CF/CM/CU48D	1.00	1.03	0.92
TM8V100C16MP12C	CF/CM/CU48C	1.00	1.08	0.93
TM8V100C16MP12C	CF/CM/CU48D	1.00	1.08	0.92
TM8V100C20MP11C	CF/CM/CU48C	1.00	1.08	0.92
TM8V100C20MP11C	CF/CM/CU48D	1.00	1.08	0.92
TM8V100C20MP12C	CF/CM/CU48C	1.00	1.08	0.92
TM8V100C20MP12C	CF/CM/CU48D	1.00	1.08	0.92
TM8V120C20MP11C	CF/CM/CU48C	1.00	1.08	0.92
TM8V120C20MP11C	CF/CM/CU48D	1.00	1.08	0.92
TM8V120C20MP12C	CF/CM/CU48C	1.00	1.08	0.92
TM8V120C20MP12C	CF/CM/CU48D	1.00	1.08	0.92
TM8X080B12MP11	CF/CM/CU48C	1.00	1.06	0.92
TM8X080C16MP11	CF/CM/CU48C	1.00	1.13	0.92
TM8X080C16MP11	CF/CM/CU48D	1.00	1.01	0.92
TM8X100C16MP11	CF/CM/CU48C	1.00	1.13	0.92
TM8X100C16MP11	CF/CM/CU48D	1.00	1.13	0.92
TM8X100C20MP11	CF/CM/CU48C	1.00	1.02	0.92
TM8X100C20MP11	CF/CM/CU48D	1.00	1.02	0.92
TM8X120C20MP11	CF/CM/CU48C	1.00	1.02	0.92
TM8X120C20MP11	CF/CM/CU48D	1.00	1.02	0.92
TM8Y080B12MP11	CF/CM/CU48C	1.00	1.06	0.92
TM8Y080C16MP11	CF/CM/CU48C	1.00	1.03	0.92
TM8Y080C16MP11	CF/CM/CU48D	1.00	1.01	0.92
TM8Y100C16MP11	CF/CM/CU48C	1.00	1.13	0.92
TM8Y100C16MP11	CF/CM/CU48D	1.00	1.13	0.92
TM8Y100C20MP11	CF/CM/CU48C	1.00	1.02	0.92
TM8Y100C20MP11	CF/CM/CU48D	1.00	1.02	0.92
TM8Y120C20MP11	CF/CM/CU48C	1.00	1.02	0.92
TM8Y120C20MP11	CF/CM/CU48D	1.00	1.02	0.92
TM9E060B12MP11	CF/CM/CU48C	1.00	1.12	0.98
TM9E060B12MP12	CF/CM/CU48C	1.00	1.01	0.98
TM9E080B12MP11	CF/CM/CU48C	1.00	1.05	0.94
TM9E080B12MP12	CF/CM/CU48C	1.00	1.00	0.96
TM9E080C16MP11	CF/CM/CU48C	1.00	1.13	0.94
TM9E080C16MP11	CF/CM/CU48D	1.00	1.13	0.94
TM9E080C16MP12	CF/CM/CU48C	1.00	1.02	0.96
TM9E080C16MP12	CF/CM/CU48D	1.00	1.02	0.96
TM9E080C20MP12	CF/CM/CU48C	1.00	1.06	0.92
TM9E080C20MP12	CF/CM/CU48D	1.00	1.08	0.92
TM9E100C16MP11	CF/CM/CU48C	1.00	1.05	0.92
TM9E100C16MP11	CF/CM/CU48D	1.00	1.05	0.92
TM9E100C16MP12	CF/CM/CU48C	1.00	1.01	0.92
TM9E100C16MP12	CF/CM/CU48D	1.00	1.01	0.92
TM9E100C20MP11	CF/CM/CU48C	1.00	1.15	0.92
TM9E100C20MP11	CF/CM/CU48D	1.00	1.15	0.92
TM9E100C20MP12	CF/CM/CU48C	1.00	1.06	0.92
TM9E100C20MP12	CF/CM/CU48D	1.00	1.06	0.92
TM9E120D20MP11	CF/CM/CU48D	1.00	1.00	0.92
TM9E120D20MP12	CF/CM/CU48D	1.00	1.07	0.92
TM9V060B12MP11C	CF/CM/CU48C	1.00	1.05	0.96
TM9V060B12MP12C	CF/CM/CU48C	1.00	1.05	0.96
TM9V080B12MP11C	CF/CM/CU48C	1.00	1.08	0.94
TM9V080B12MP12C	CF/CM/CU48C	1.00	1.08	0.94
TM9V080C16MP11C	CF/CM/CU48C	1.00	1.06	0.94

FURNACE MULTIPLIERS - 3 TON (Continued)

Furnaces	Coil	T.C.	S.C.	KW
TM9V080C16MP11C	CF/CM/CU48D	1.00	1.03	0.92
TM9V080C16MP12C	CF/CM/CU48C	1.00	1.06	0.94
TM9V080C16MP12C	CF/CM/CU48D	1.00	1.03	0.92
TM9V100C16MP11C	CF/CM/CU48C	1.00	1.08	0.93
TM9V100C16MP11C	CF/CM/CU48D	1.00	1.04	0.92
TM9V100C16MP12C	CF/CM/CU48C	1.00	1.08	0.93
TM9V100C16MP12C	CF/CM/CU48D	1.00	1.08	0.92
TM9V100C20MP11C	CF/CM/CU48C	1.00	1.10	0.94
TM9V100C20MP11C	CF/CM/CU48D	1.00	1.10	0.94
TM9V100C20MP12C	CF/CM/CU48C	1.00	1.10	0.94
TM9V100C20MP12C	CF/CM/CU48D	1.00	1.10	0.94
TM9V120D20MP11C	CF/CM/CU48D	1.00	1.04	0.92
TM9V120D20MP12C	CF/CM/CU48D	1.00	1.04	0.92
TM9Y060B12MP11	CF/CM/CU48C	1.00	1.12	0.98
TM9Y080B12MP11	CF/CM/CU48C	1.00	1.05	0.94
TM9Y080C16MP11	CF/CM/CU48C	1.00	1.13	0.94
TM9Y080C16MP11	CF/CM/CU48D	1.00	1.13	0.94
TM9Y100C16MP11	CF/CM/CU48C	1.00	1.05	0.92
TM9Y100C16MP11	CF/CM/CU48D	1.00	1.05	0.92
TM9Y100C20MP11	CF/CM/CU48C	1.00	1.15	0.92
TM9Y100C20MP11	CF/CM/CU48D	1.00	1.15	0.92
TM9Y120D20MP11	CF/CM/CU48D	1.00	1.19	0.92
TMLE080B12MP11	CF/CM/CU48C	1.00	1.00	0.96
TMLE080C16MP11	CF/CM/CU48C	1.00	1.02	0.92
TMLE080C16MP11	CF/CM/CU48D	1.00	1.09	0.96
TMLE080C20MP11	CF/CM/CU48C	1.00	1.07	0.92
TMLE080C20MP11	CF/CM/CU48D	1.00	1.08	0.92
TMLE100B12MP11	CF/CM/CU48C	1.00	1.02	0.96
TMLE100C16MP11	CF/CM/CU48C	1.00	1.03	0.92
TMLE100C16MP11	CF/CM/CU48D	1.00	1.03	0.92
TMLE100C20MP11	CF/CM/CU48C	1.00	1.07	0.92
TMLE100C20MP11	CF/CM/CU48D	1.00	1.08	0.92
TMLE120C16MP11	CF/CM/CU48C	1.00	1.03	0.92
TMLE120C16MP11	CF/CM/CU48D	1.00	1.03	0.92
TMLE120C20MP11	CF/CM/CU48C	1.00	1.09	0.92
TMLE120C20MP11	CF/CM/CU48D	1.00	1.09	0.92
TMLE130D20MP11	CF/CM/CU48D	1.00	1.09	0.92
TMLV080B12MP11C	CF/CM/CU48C	1.00	1.05	0.96
TMLV080B12MP12C	CF/CM/CU48C	1.00	1.05	0.96
TMLV080C16MP11C	CF/CM/CU48C	1.00	1.08	0.93
TMLV080C16MP11C	CF/CM/CU48D	1.00	1.03	0.92
TMLV080C16MP12C	CF/CM/CU48C	1.00	1.08	0.93
TMLV080C16MP12C	CF/CM/CU48D	1.00	1.03	0.92
TMLV100C16MP11C	CF/CM/CU48C	1.00	1.08	0.93
TMLV100C16MP11C	CF/CM/CU48D	1.00	1.03	0.92
TMLV100C16MP12C	CF/CM/CU48C	1.00	1.08	0.93
TMLV100C16MP12C	CF/CM/CU48D	1.00	1.03	0.92
TMLV100C20MP11C	CF/CM/CU48C	1.00	1.08	0.92
TMLV100C20MP11C	CF/CM/CU48D	1.00	1.08	0.92
TMLV100C20MP12C	CF/CM/CU48C	1.00	1.08	0.92
TMLV100C20MP12C	CF/CM/CU48D	1.00	1.08	0.92
TMLV120C20MP11C	CF/CM/CU48C	1.00	1.08	0.92
TMLV120C20MP11C	CF/CM/CU48D	1.00	1.08	0.92
TMLV120C20MP12C	CF/CM/CU48C	1.00	1.08	0.92
TMLV120C20MP12C	CF/CM/CU48D	1.00	1.08	0.92

FURNACE MULTIPLIERS - 3 TON (Continued)

Furnaces	Coil	T.C.	S.C.	KW
TMLX080B12MP11	CF/CM/CU48C	1.00	1.06	0.92
TMLX080C16MP11	CF/CM/CU48C	1.00	1.13	0.92
TMLX080C16MP11	CF/CM/CU48D	1.00	1.13	0.92
TMLX100C16MP11	CF/CM/CU48C	1.00	1.03	0.92
TMLX100C16MP11	CF/CM/CU48D	1.00	1.01	0.92
TMLX100C20MP11	CF/CM/CU48C	1.00	1.02	0.92
TMLX100C20MP11	CF/CM/CU48D	1.00	1.02	0.92
TMLX120C20MP11	CF/CM/CU48C	1.00	1.02	0.92
TMLX120C20MP11	CF/CM/CU48D	1.00	1.02	0.92
TP9C060B12MP13C	CF/CM/CU48C	1.00	1.05	0.96
TP9C080B12MP12C	CF/CM/CU48C	1.00	1.08	0.94
TP9C080B12MP13C	CF/CM/CU48C	1.00	1.08	0.94
TP9C080C16MP13C	CF/CM/CU48C	1.00	1.06	0.94
TP9C080C16MP13C	CF/CM/CU48D	1.00	1.03	0.92
TP9C100C16MP12C	CF/CM/CU48C	1.00	1.08	0.93
TP9C100C16MP12C	CF/CM/CU48D	1.00	1.04	0.92
TP9C100C16MP13C	CF/CM/CU48C	1.00	1.08	0.93
TP9C100C16MP13C	CF/CM/CU48D	1.00	1.04	0.92
TP9C100C20MP12C	CF/CM/CU48C	1.00	1.10	0.94
TP9C100C20MP12C	CF/CM/CU48D	1.00	1.10	0.94
TP9C100C20MP13C	CF/CM/CU48C	1.00	1.10	0.94
TP9C100C20MP13C	CF/CM/CU48D	1.00	1.10	0.94
TP9C120D20MP12C	CF/CM/CU48D	1.00	1.04	0.92
TP9C120D20MP13C	CF/CM/CU48D	1.00	1.04	0.92
TPLC080B12MP12C	CF/CM/CU48C	1.00	1.05	0.96
TPLC080B12MP13C	CF/CM/CU48C	1.00	1.05	0.96
TPLC080C16MP12C	CF/CM/CU48C	1.00	1.08	0.93
TPLC080C16MP12C	CF/CM/CU48D	1.00	1.03	0.92
TPLC080C16MP13C	CF/CM/CU48C	1.00	1.08	0.93
TPLC080C16MP13C	CF/CM/CU48D	1.00	1.03	0.92
TPLC100C16MP12C	CF/CM/CU48C	1.00	1.08	0.93
TPLC100C16MP12C	CF/CM/CU48D	1.00	1.03	0.92
TPLC100C16MP13C	CF/CM/CU48C	1.00	1.08	0.93
TPLC100C16MP13C	CF/CM/CU48D	1.00	1.03	0.92
TPLC100C20MP12C	CF/CM/CU48C	1.00	1.08	0.92
TPLC100C20MP12C	CF/CM/CU48D	1.00	1.08	0.92
TPLC100C20MP13C	CF/CM/CU48C	1.00	1.08	0.92
TPLC100C20MP13C	CF/CM/CU48D	1.00	1.08	0.92
TPLC120C20MP12C	CF/CM/CU48C	1.00	1.08	0.92
TPLC120C20MP12C	CF/CM/CU48D	1.00	1.08	0.92
TPLC120C20MP13C	CF/CM/CU48C	1.00	1.08	0.92
TPLC120C20MP13C	CF/CM/CU48D	1.00	1.08	0.92
YP9C060B12MP13C	CF/CM/CU48C	1.00	1.05	0.96
YP9C080B12MP12C	CF/CM/CU48C	1.00	1.08	0.94
YP9C080B12MP13C	CF/CM/CU48C	1.00	1.08	0.94
YP9C080C16MP13C	CF/CM/CU48C	1.00	1.06	0.94
YP9C080C16MP13C	CF/CM/CU48D	1.00	1.03	0.92
YP9C100C16MP12C	CF/CM/CU48C	1.00	1.08	0.93
YP9C100C16MP12C	CF/CM/CU48D	1.00	1.04	0.92
YP9C100C16MP13C	CF/CM/CU48C	1.00	1.08	0.93
YP9C100C16MP13C	CF/CM/CU48D	1.00	1.08	0.92
YP9C100C20MP12C	CF/CM/CU48C	1.00	1.10	0.94
YP9C100C20MP12C	CF/CM/CU48D	1.00	1.10	0.94
YP9C100C20MP13C	CF/CM/CU48C	1.00	1.10	0.94
YP9C100C20MP13C	CF/CM/CU48D	1.00	1.10	0.94

FURNACE MULTIPLIERS - 3 TON (Continued)

Furnaces	Coil	T.C.	S.C.	KW
YP9C120D20MP12C	CF/CM/CU48D	1.00	1.04	0.92
YP9C120D20MP13C	CF/CM/CU48D	1.00	1.04	0.92
YPLC080B12MP12C	CF/CM/CU48C	1.00	1.05	0.96
YPLC080B12MP13C	CF/CM/CU48C	1.00	1.05	0.96
YPLC080C16MP12C	CF/CM/CU48C	1.00	1.08	0.93
YPLC080C16MP12C	CF/CM/CU48D	1.00	1.03	0.92
YPLC080C16MP13C	CF/CM/CU48C	1.00	1.08	0.93
YPLC080C16MP13C	CF/CM/CU48D	1.00	1.03	0.92
YPLC080C16MP13C	CF/CM/CU48D	1.00	1.03	0.92
YPLC100C16MP12C	CF/CM/CU48C	1.00	1.08	0.93
YPLC100C16MP12C	CF/CM/CU48D	1.00	1.03	0.92
YPLC100C16MP13C	CF/CM/CU48C	1.00	1.08	0.93

FURNACE MULTIPLIERS - 3 TON (Continued)

Furnaces	Coil	T.C.	S.C.	KW
YPLC100C16MP13C	CF/CM/CU48D	1.00	1.03	0.92
YPLC100C20MP12C	CF/CM/CU48C	1.00	1.08	0.92
YPLC100C20MP12C	CF/CM/CU48D	1.00	1.08	0.92
YPLC100C20MP13C	CF/CM/CU48C	1.00	1.08	0.92
YPLC100C20MP13C	CF/CM/CU48D	1.00	1.08	0.92
YPLC120C20MP12C	CF/CM/CU48C	1.00	1.08	0.92
YPLC120C20MP12C	CF/CM/CU48D	1.00	1.08	0.92
YPLC120C20MP13C	CF/CM/CU48C	1.00	1.08	0.92
YPLC120C20MP13C	CF/CM/CU48D	1.00	1.08	0.92

HEATING PERFORMANCE DATA										
CONDENSING UNIT MODEL NO		YHE36B22S								
AIR TEMP. ENTERING OUTDOOR UNIT (°F)	AIR TEMP. ENTERING INDOOR COIL (°F)	ID CFM								
		1000			1200			1400		
		MBH	COP	KW	MBH	COP	KW	MBH	COP	KW
60	60	40.6	4.12	2.88	41.2	4.26	2.83	41.8	4.40	2.78
	70	39.9	3.70	3.19	40.4	3.84	3.12	41.0	3.98	3.05
	80	39.1	3.27	3.50	39.7	3.42	3.41	40.2	3.56	3.31
47	60	35.3	3.73	2.77	35.9	3.86	2.73	36.5	3.99	2.68
	70	34.8	3.34	3.08	35.3	3.46	3.03	35.8	3.57	2.97
	80	34.3	2.96	3.40	34.7	3.06	3.33	35.0	3.15	3.25
40	60	33.2	3.55	2.74	33.5	3.64	2.70	33.8	3.72	2.66
	70	32.5	3.17	3.04	32.9	3.26	2.99	33.3	3.35	2.94
	80	31.9	2.79	3.34	32.3	2.89	3.28	32.8	2.99	3.22
30	60	28.2	3.11	2.66	28.9	3.20	2.64	29.5	3.30	2.62
	70	27.9	2.80	2.96	28.5	2.89	2.92	29.0	2.97	2.89
	80	27.6	2.49	3.25	28.1	2.57	3.20	28.5	2.65	3.15
17	60	23.1	2.66	2.55	23.2	2.69	2.53	23.4	2.72	2.51
	70	22.5	2.36	2.82	22.7	2.40	2.80	22.9	2.44	2.79
	80	21.8	2.06	3.10	22.1	2.11	3.08	22.4	2.15	3.06
10	60	19.5	2.25	2.54	19.8	2.28	2.55	20.2	2.31	2.55
	70	19.4	2.07	2.76	19.8	2.10	2.77	20.1	2.13	2.78
	80	19.4	1.90	2.99	19.7	1.92	3.00	20.0	1.95	3.01
0	60	16.0	1.92	2.43	16.3	1.94	2.44	16.6	1.97	2.45
	70	16.0	1.77	2.65	16.3	1.79	2.66	16.5	1.82	2.67
	80	16.0	1.62	2.87	16.2	1.64	2.87	16.4	1.66	2.88
-10	60	12.0	1.47	2.38	12.2	1.49	2.39	12.4	1.51	2.39
	70	12.0	1.35	2.59	12.2	1.37	2.60	12.4	1.39	2.61
	80	11.9	1.24	2.80	12.1	1.26	2.81	12.3	1.27	2.82
-20	60	7.9	0.99	2.32	8.1	1.01	2.33	8.2	1.02	2.33
	70	7.9	0.92	2.53	8.0	0.93	2.53	8.2	0.94	2.54
	80	7.9	0.84	2.73	8.0	0.85	2.74	8.1	0.86	2.75

NOTE: ALL CAPACITIES INCLUDE INDOOR FAN HEAT. KW VALUES ARE FOR THE SYSTEM (OUTDOOR + INDOOR).
 Yellow shaded cells are AHRI High Heating conditions.
 Orange shaded cells are AHRI Low Heating conditions.

Multipliers for determining the performance with other indoor sections.

COIL MULTIPLIERS - 3 TON

Air Handler	Coil	MBH	COP	KW
-	CF/CM/CU48C	1.00	1.00	1.00
-	CF/CM/CU48D	1.00	1.00	1.00
AE42CBF21	-	0.97	1.03	0.95
AE42CX21	-	0.97	1.03	0.95
AE48CX21	-	0.97	1.05	0.93
AE48DX21	-	0.97	1.06	0.91
AP37CBA21	-	1.00	1.00	1.00
AP37CBF21	-	1.00	1.00	1.00
AP37CX21	-	1.00	1.00	1.00
AP48DX21	-	1.01	1.01	1.00
AVC42CX21	-	0.98	1.05	0.94
AVC48CX21	-	0.97	1.03	0.95
AVC48DX21	-	0.97	1.03	0.94
ME12CN21	CF/CM48C	0.97	1.02	0.95
ME14DN21	CF/CM48D	0.97	1.03	0.94
ME16CN21	CF/CM48C	0.98	1.05	0.94
ME20DN21	CF/CM48D	0.97	1.08	0.90
MVC12CN21	CF/CM48C	0.97	1.03	0.95
MVC14DN21	CF/CM48D	0.97	1.03	0.94
MVC16CN21	CF/CM48C	0.97	1.03	0.94
MVC20DN21	CF/CM48D	0.97	1.07	0.91

FURNACE MULTIPLIERS - 3 TON

Furnaces	Coil	MBH	COP	KW
TL8E060A12UH11	CF/CM/CU48C	0.93	1.02	0.91
TL8E080C16UH11	CF/CM/CU48C	0.93	1.05	0.89
TL8E080C16UH11	CF/CM/CU48D	0.93	1.05	0.89
TL8E100C20UH11	CF/CM/CU48C	0.95	1.07	0.88
TL8E100C20UH11	CF/CM/CU48D	0.96	1.08	0.89
TL9E060B12UH11	CF/CM/CU48C	0.93	1.01	0.92
TL9E080C16UH11	CF/CM/CU48C	0.93	1.03	0.90
TL9E080C16UH11	CF/CM/CU48D	0.93	1.03	0.90
TL9E100C20UH11	CF/CM/CU48C	0.95	1.07	0.89
TL9E100C20UH11	CF/CM/CU48D	0.95	1.07	0.88
TM8E080B12MP11	CF/CM/CU48C	0.92	1.02	0.91
TM8E080C16MP11	CF/CM/CU48C	0.93	1.04	0.89
TM8E080C16MP11	CF/CM/CU48D	0.96	1.07	0.90
TM8E080C20MP11	CF/CM/CU48C	0.95	1.07	0.88
TM8E080C20MP11	CF/CM/CU48D	0.96	1.08	0.89
TM8E100B12MP11	CF/CM/CU48C	0.93	1.03	0.91
TM8E100C16MP11	CF/CM/CU48C	0.93	1.05	0.89
TM8E100C16MP11	CF/CM/CU48D	0.93	1.05	0.89
TM8E100C20MP11	CF/CM/CU48C	0.95	1.07	0.88
TM8E100C20MP11	CF/CM/CU48D	0.96	1.08	0.89
TM8E120C16MP11	CF/CM/CU48C	0.93	1.05	0.89
TM8E120C16MP11	CF/CM/CU48D	0.93	1.05	0.89
TM8E120C20MP11	CF/CM/CU48C	0.96	1.08	0.89
TM8E120C20MP11	CF/CM/CU48D	0.96	1.08	0.89
TM8E130D20MP11	CF/CM/CU48D	0.96	1.08	0.89
TM8V080B12MP11C	CF/CM/CU48C	0.98	0.99	0.99
TM8V080B12MP12C	CF/CM/CU48C	0.98	0.99	0.99
TM8V080C16MP11C	CF/CM/CU48C	0.98	1.03	0.96
TM8V080C16MP11C	CF/CM/CU48D	0.98	0.99	0.99
TM8V080C16MP12C	CF/CM/CU48C	0.98	1.03	0.96
TM8V080C16MP12C	CF/CM/CU48D	0.98	0.99	0.99
TM8V100C16MP11C	CF/CM/CU48C	0.98	1.03	0.96
TM8V100C16MP11C	CF/CM/CU48D	0.98	0.99	0.99
TM8V100C16MP12C	CF/CM/CU48C	0.98	1.03	0.96
TM8V100C16MP12C	CF/CM/CU48D	0.98	1.03	0.95
TM8V100C20MP11C	CF/CM/CU48C	0.98	1.05	0.94
TM8V100C20MP11C	CF/CM/CU48D	0.98	1.05	0.94
TM8V100C20MP12C	CF/CM/CU48C	0.98	1.05	0.94
TM8V100C20MP12C	CF/CM/CU48D	0.98	1.05	0.94
TM8V120C20MP11C	CF/CM/CU48C	0.98	1.05	0.94
TM8V120C20MP11C	CF/CM/CU48D	0.98	1.05	0.94
TM8V120C20MP12C	CF/CM/CU48C	0.98	1.05	0.94
TM8V120C20MP12C	CF/CM/CU48D	0.98	1.05	0.94
TM8X080B12MP11	CF/CM/CU48C	0.98	1.01	0.97
TM8X080C16MP11	CF/CM/CU48C	0.98	1.03	0.95
TM8X080C16MP11	CF/CM/CU48D	0.98	1.01	0.97
TM8X100C16MP11	CF/CM/CU48C	0.98	1.03	0.95
TM8X100C16MP11	CF/CM/CU48D	0.98	1.04	0.94
TM8X100C20MP11	CF/CM/CU48C	0.98	1.02	0.96
TM8X100C20MP11	CF/CM/CU48D	0.98	1.02	0.96
TM8X120C20MP11	CF/CM/CU48C	0.98	1.02	0.96
TM8X120C20MP11	CF/CM/CU48D	0.98	1.02	0.96
TM8Y080B12MP11	CF/CM/CU48C	0.98	1.01	0.97
TM8Y080C16MP11	CF/CM/CU48C	0.98	0.99	0.99
TM8Y080C16MP11	CF/CM/CU48D	0.98	1.01	0.97

FURNACE MULTIPLIERS - 3 TON (Continued)

Furnaces	Coil	MBH	COP	KW
TM8Y100C16MP11	CF/CM/CU48C	0.98	1.03	0.95
TM8Y100C16MP11	CF/CM/CU48D	0.98	1.04	0.94
TM8Y100C20MP11	CF/CM/CU48C	0.98	1.02	0.96
TM8Y100C20MP11	CF/CM/CU48D	0.98	1.02	0.96
TM8Y120C20MP11	CF/CM/CU48C	0.98	1.02	0.96
TM8Y120C20MP11	CF/CM/CU48D	0.98	1.02	0.96
TM9E060B12MP11	CF/CM/CU48C	0.99	1.01	0.98
TM9E060B12MP12	CF/CM/CU48C	0.94	1.01	0.93
TM9E080B12MP11	CF/CM/CU48C	0.98	1.01	0.98
TM9E080B12MP12	CF/CM/CU48C	0.93	1.02	0.91
TM9E080C16MP11	CF/CM/CU48C	0.98	1.03	0.96
TM9E080C16MP11	CF/CM/CU48D	0.98	1.03	0.96
TM9E080C16MP12	CF/CM/CU48C	0.93	1.03	0.90
TM9E080C16MP12	CF/CM/CU48D	0.93	1.03	0.90
TM9E080C20MP12	CF/CM/CU48C	0.95	1.07	0.89
TM9E080C20MP12	CF/CM/CU48D	0.95	1.07	0.88
TM9E100C16MP11	CF/CM/CU48C	0.98	1.02	0.96
TM9E100C16MP11	CF/CM/CU48D	0.98	1.02	0.96
TM9E100C16MP12	CF/CM/CU48C	0.92	1.03	0.90
TM9E100C16MP12	CF/CM/CU48D	0.92	1.03	0.89
TM9E100C20MP11	CF/CM/CU48C	0.98	1.04	0.95
TM9E100C20MP11	CF/CM/CU48D	0.98	1.05	0.94
TM9E100C20MP12	CF/CM/CU48C	0.95	1.07	0.89
TM9E100C20MP12	CF/CM/CU48D	0.95	1.07	0.89
TM9E120D20MP11	CF/CM/CU48D	0.98	1.00	0.98
TM9E120D20MP12	CF/CM/CU48D	0.96	1.07	0.89
TM9V060B12MP11C	CF/CM/CU48C	0.98	0.99	0.99
TM9V060B12MP12C	CF/CM/CU48C	0.98	0.99	0.99
TM9V080B12MP11C	CF/CM/CU48C	0.98	1.02	0.97
TM9V080B12MP12C	CF/CM/CU48C	0.98	1.02	0.97
TM9V080C16MP11C	CF/CM/CU48C	0.98	1.01	0.97
TM9V080C16MP11C	CF/CM/CU48D	0.98	0.99	0.99
TM9V080C16MP12C	CF/CM/CU48C	0.98	1.01	0.97
TM9V080C16MP12C	CF/CM/CU48D	0.98	0.99	0.99
TM9V100C16MP11C	CF/CM/CU48C	0.98	1.03	0.95
TM9V100C16MP11C	CF/CM/CU48D	0.98	1.01	0.97
TM9V100C16MP12C	CF/CM/CU48C	0.98	1.03	0.95
TM9V100C16MP12C	CF/CM/CU48D	0.98	1.03	0.95
TM9V100C20MP11C	CF/CM/CU48C	0.98	1.03	0.95
TM9V100C20MP11C	CF/CM/CU48D	0.98	1.03	0.95
TM9V100C20MP12C	CF/CM/CU48C	0.98	1.03	0.95
TM9V100C20MP12C	CF/CM/CU48D	0.98	1.03	0.95
TM9V120D20MP11C	CF/CM/CU48D	0.98	1.03	0.95
TM9V120D20MP12C	CF/CM/CU48D	0.98	1.03	0.95
TM9Y060B12MP11	CF/CM/CU48C	0.99	1.01	0.98
TM9Y080B12MP11	CF/CM/CU48C	0.98	1.01	0.98
TM9Y080C16MP11	CF/CM/CU48C	0.98	1.03	0.96
TM9Y080C16MP11	CF/CM/CU48D	0.98	1.03	0.96
TM9Y100C16MP11	CF/CM/CU48C	0.98	1.02	0.96
TM9Y100C16MP11	CF/CM/CU48D	0.98	1.02	0.96
TM9Y100C20MP11	CF/CM/CU48C	0.98	1.04	0.95
TM9Y100C20MP11	CF/CM/CU48D	0.98	1.05	0.94
TM9Y120D20MP11	CF/CM/CU48D	0.98	1.06	0.93
TMLE080B12MP11	CF/CM/CU48C	0.92	1.02	0.91
TMLE080C16MP11	CF/CM/CU48C	0.93	1.04	0.89

FURNACE MULTIPLIERS - 3 TON (Continued)

Furnaces	Coil	MBH	COP	KW
TMLE080C16MP11	CF/CM/CU48D	0.96	1.07	0.90
TMLE080C20MP11	CF/CM/CU48C	0.95	1.07	0.88
TMLE080C20MP11	CF/CM/CU48D	0.96	1.08	0.89
TMLE100B12MP11	CF/CM/CU48C	0.93	1.03	0.91
TMLE100C16MP11	CF/CM/CU48C	0.93	1.05	0.89
TMLE100C16MP11	CF/CM/CU48D	0.93	1.05	0.89
TMLE100C20MP11	CF/CM/CU48C	0.95	1.07	0.88
TMLE100C20MP11	CF/CM/CU48D	0.96	1.08	0.89
TMLE120C16MP11	CF/CM/CU48C	0.93	1.05	0.89
TMLE120C16MP11	CF/CM/CU48D	0.93	1.05	0.89
TMLE120C20MP11	CF/CM/CU48C	0.96	1.08	0.89
TMLE120C20MP11	CF/CM/CU48D	0.96	1.08	0.89
TMLE130D20MP11	CF/CM/CU48D	0.96	1.08	0.89
TMLV080B12MP11C	CF/CM/CU48C	0.98	0.99	0.99
TMLV080B12MP12C	CF/CM/CU48C	0.98	0.99	0.99
TMLV080C16MP11C	CF/CM/CU48C	0.98	1.03	0.96
TMLV080C16MP11C	CF/CM/CU48D	0.98	0.99	0.99
TMLV080C16MP12C	CF/CM/CU48C	0.98	1.03	0.96
TMLV080C16MP12C	CF/CM/CU48D	0.98	0.99	0.99
TMLV100C16MP11C	CF/CM/CU48C	0.98	1.03	0.96
TMLV100C16MP11C	CF/CM/CU48D	0.98	0.99	0.99
TMLV100C16MP12C	CF/CM/CU48C	0.98	1.03	0.96
TMLV100C16MP12C	CF/CM/CU48D	0.98	0.99	0.99
TMLV100C20MP11C	CF/CM/CU48C	0.98	1.05	0.94
TMLV100C20MP11C	CF/CM/CU48D	0.98	1.05	0.94
TMLV100C20MP12C	CF/CM/CU48C	0.98	1.05	0.94
TMLV100C20MP12C	CF/CM/CU48D	0.98	1.05	0.94
TMLV120C20MP11C	CF/CM/CU48C	0.98	1.05	0.94
TMLV120C20MP11C	CF/CM/CU48D	0.98	1.05	0.94
TMLV120C20MP12C	CF/CM/CU48C	0.98	1.05	0.94
TMLV120C20MP12C	CF/CM/CU48D	0.98	1.05	0.94
TMLX080B12MP11	CF/CM/CU48C	0.98	1.01	0.97
TMLX080C16MP11	CF/CM/CU48C	0.98	1.03	0.95
TMLX080C16MP11	CF/CM/CU48D	0.98	1.04	0.94
TMLX100C16MP11	CF/CM/CU48C	0.98	0.99	0.99
TMLX100C16MP11	CF/CM/CU48D	0.98	1.01	0.97
TMLX100C20MP11	CF/CM/CU48C	0.98	1.02	0.96
TMLX100C20MP11	CF/CM/CU48D	0.98	1.02	0.96
TMLX120C20MP11	CF/CM/CU48C	0.98	1.02	0.96
TMLX120C20MP11	CF/CM/CU48D	0.98	1.02	0.96
TP9C060B12MP13C	CF/CM/CU48C	0.98	0.99	0.99
TP9C080B12MP12C	CF/CM/CU48C	0.98	1.02	0.97
TP9C080B12MP13C	CF/CM/CU48C	0.98	1.02	0.97
TP9C080C16MP13C	CF/CM/CU48C	0.98	1.01	0.97
TP9C080C16MP13C	CF/CM/CU48D	0.98	0.99	0.99
TP9C100C16MP12C	CF/CM/CU48C	0.98	1.03	0.95
TP9C100C16MP12C	CF/CM/CU48D	0.98	1.01	0.97
TP9C100C16MP13C	CF/CM/CU48C	0.98	1.03	0.95
TP9C100C16MP13C	CF/CM/CU48D	0.98	1.01	0.97
TP9C100C20MP12C	CF/CM/CU48C	0.98	1.03	0.95
TP9C100C20MP12C	CF/CM/CU48D	0.98	1.03	0.95
TP9C100C20MP13C	CF/CM/CU48C	0.98	1.03	0.95
TP9C100C20MP13C	CF/CM/CU48D	0.98	1.03	0.95
TP9C120D20MP12C	CF/CM/CU48D	0.98	1.03	0.95
TP9C120D20MP13C	CF/CM/CU48D	0.98	1.03	0.95

FURNACE MULTIPLIERS - 3 TON (Continued)

Furnaces	Coil	MBH	COP	KW
TPLC080B12MP12C	CF/CM/CU48C	0.98	0.99	0.99
TPLC080B12MP13C	CF/CM/CU48C	0.98	0.99	0.99
TPLC080C16MP12C	CF/CM/CU48C	0.98	1.03	0.96
TPLC080C16MP12C	CF/CM/CU48D	0.98	0.99	0.99
TPLC080C16MP13C	CF/CM/CU48C	0.98	1.03	0.96
TPLC080C16MP13C	CF/CM/CU48D	0.98	0.99	0.99
TPLC100C16MP12C	CF/CM/CU48C	0.98	1.03	0.96
TPLC100C16MP12C	CF/CM/CU48D	0.98	0.99	0.99
TPLC100C16MP13C	CF/CM/CU48C	0.98	1.03	0.96
TPLC100C16MP13C	CF/CM/CU48D	0.98	0.99	0.99
TPLC100C20MP12C	CF/CM/CU48C	0.98	1.05	0.94
TPLC100C20MP12C	CF/CM/CU48D	0.98	1.05	0.94
TPLC100C20MP13C	CF/CM/CU48C	0.98	1.05	0.94
TPLC100C20MP13C	CF/CM/CU48D	0.98	1.05	0.94
TPLC120C20MP12C	CF/CM/CU48C	0.98	1.05	0.94
TPLC120C20MP12C	CF/CM/CU48D	0.98	1.05	0.94
TPLC120C20MP13C	CF/CM/CU48C	0.98	1.05	0.94
TPLC120C20MP13C	CF/CM/CU48D	0.98	1.05	0.94
YP9C060B12MP13C	CF/CM/CU48C	0.98	0.99	0.99
YP9C080B12MP12C	CF/CM/CU48C	0.98	1.02	0.97
YP9C080B12MP13C	CF/CM/CU48C	0.98	1.02	0.97
YP9C080C16MP13C	CF/CM/CU48C	0.98	1.01	0.97
YP9C080C16MP13C	CF/CM/CU48D	0.98	0.99	0.99
YP9C100C16MP12C	CF/CM/CU48C	0.98	1.03	0.95
YP9C100C16MP12C	CF/CM/CU48D	0.98	1.01	0.97
YP9C100C16MP13C	CF/CM/CU48C	0.98	1.03	0.95
YP9C100C16MP13C	CF/CM/CU48D	0.98	1.03	0.95

FURNACE MULTIPLIERS - 3 TON (Continued)

Furnaces	Coil	MBH	COP	KW
YP9C100C20MP12C	CF/CM/CU48C	0.98	1.03	0.95
YP9C100C20MP12C	CF/CM/CU48D	0.98	1.03	0.95
YP9C100C20MP13C	CF/CM/CU48C	0.98	1.03	0.95
YP9C100C20MP13C	CF/CM/CU48D	0.98	1.03	0.95
YP9C120D20MP12C	CF/CM/CU48D	0.98	1.03	0.95
YP9C120D20MP13C	CF/CM/CU48D	0.98	1.03	0.95
YPLC080B12MP12C	CF/CM/CU48C	0.98	0.99	0.99
YPLC080B12MP13C	CF/CM/CU48C	0.98	0.99	0.99
YPLC080C16MP12C	CF/CM/CU48C	0.98	1.03	0.96
YPLC080C16MP12C	CF/CM/CU48D	0.98	0.99	0.99
YPLC080C16MP13C	CF/CM/CU48C	0.98	1.03	0.96
YPLC080C16MP13C	CF/CM/CU48D	0.98	0.99	0.99
YPLC100C16MP12C	CF/CM/CU48C	0.98	1.03	0.96
YPLC100C16MP12C	CF/CM/CU48D	0.98	0.99	0.99
YPLC100C16MP13C	CF/CM/CU48C	0.98	1.03	0.96
YPLC100C16MP13C	CF/CM/CU48D	0.98	0.99	0.99
YPLC100C20MP12C	CF/CM/CU48C	0.98	1.05	0.94
YPLC100C20MP12C	CF/CM/CU48D	0.98	1.05	0.94
YPLC100C20MP13C	CF/CM/CU48C	0.98	1.05	0.94
YPLC100C20MP13C	CF/CM/CU48D	0.98	1.05	0.94
YPLC120C20MP12C	CF/CM/CU48C	0.98	1.05	0.94
YPLC120C20MP12C	CF/CM/CU48D	0.98	1.05	0.94
YPLC120C20MP13C	CF/CM/CU48C	0.98	1.05	0.94
YPLC120C20MP13C	CF/CM/CU48D	0.98	1.05	0.94

PERFORMANCE DATA - 3.5 TON

CONDENSER-ONLY DATA (OUTDOOR UNIT)																
MODEL	SATURATED SUCTION @ COMPRESSOR		Outdoor Ambient Temperature													
			65 °F		75 °F		85 °F		95 °F		105 °F		115 °F		125 °F	
	T (°F)	P (PSIG)	MBH	KW	MBH	KW	MBH	KW	MBH	KW	MBH	KW	MBH	KW	MBH	KW
YHE42B23S	35	107	42.6	0.91	37.8	1.80	33.1	2.69	28.3	3.57	23.6	4.46	18.8	5.35	14.1	6.24
	40	119	45.3	1.26	41.2	1.97	37.1	2.68	33.0	3.39	28.9	4.10	24.8	4.81	20.6	5.52
	45	130	48.1	1.61	44.6	2.14	41.2	2.67	37.7	3.20	34.2	3.74	30.7	4.27	27.2	4.80
	50	143	50.9	1.96	48.1	2.31	45.2	2.67	42.3	3.02	39.5	3.37	36.6	3.73	33.8	4.08
	55	156	53.7	2.31	51.5	2.49	49.2	2.66	47.0	2.84	44.8	3.01	42.5	3.18	40.3	3.36

Notes:

- For Outdoor Unit (Condenser) performance only. Data does not include the effects of air handler power or heat.
- Performance based on 15°F subcooling and 15°F superheat at the Outdoor Unit base valves.
 - Increase capacity by 1% for each 2°F increase in subcooling.
 - Decrease capacity by 1% for each 2°F decrease in subcooling.
- Maximum recommended condensing temperature is 140°F.

COOLING PERFORMANCE DATA																	
AIR CONDITIONER MODEL NO.		YHE42B23S															
AIR TEMP. ENTERING OUTDOOR UNIT (°F)	IDCFM	1150					1400					1650					
	ID DB (°F)	80	80	75	80	80	80	80	75	80	80	80	80	80	75	80	80
	ID WB (°F)	57	62	62	67	72	57	62	62	67	72	57	62	62	67	72	57
65	T.C.	37.5	40.7	41.2	45.6	50.7	39.9	42.1	42.8	47.2	52.2	42.3	43.5	44.4	48.7	53.6	
	S.C.	37.3	34.2	29.1	28.9	22.8	39.8	37.6	31.7	31.5	24.4	42.3	41.1	34.3	34.1	25.9	
	KW	2.48	2.48	2.48	2.49	2.50	2.57	2.57	2.58	2.58	2.59	2.66	2.65	2.67	2.67	2.68	
75	T.C.	36.4	38.4	39.0	44.2	49.7	38.6	40.0	41.0	45.7	51.2	40.8	41.6	42.9	47.3	52.8	
	S.C.	36.2	33.0	28.2	28.3	22.4	38.5	36.7	31.1	31.1	24.1	40.8	40.4	33.9	33.9	25.9	
	KW	2.72	2.72	2.72	2.73	2.74	2.81	2.80	2.82	2.82	2.83	2.90	2.88	2.91	2.91	2.92	
85	T.C.	35.0	36.8	37.3	41.9	47.0	37.1	38.2	38.9	43.3	48.5	39.2	39.6	40.5	44.6	49.9	
	S.C.	35.0	32.5	27.5	27.6	21.7	37.1	36.1	30.3	30.4	23.3	39.2	39.6	33.1	33.1	25.0	
	KW	3.05	3.05	3.06	3.06	3.06	3.14	3.14	3.14	3.14	3.15	3.23	3.22	3.23	3.23	3.24	
95	T.C.	33.7	35.2	35.6	39.6	44.4	35.6	36.4	36.9	40.8	45.7	37.5	37.6	38.1	42.0	47.1	
	S.C.	33.7	32.1	26.8	26.9	21.0	35.6	35.5	29.5	29.7	22.5	37.5	37.6	32.2	32.4	24.1	
	KW	3.38	3.38	3.39	3.38	3.38	3.47	3.47	3.47	3.47	3.46	3.56	3.56	3.56	3.56	3.55	
105	T.C.	32.0	33.5	33.7	37.6	42.4	33.7	34.7	34.9	38.7	43.6	35.5	35.9	36.1	39.9	44.9	
	S.C.	32.0	30.9	25.7	25.9	20.3	33.7	33.8	28.2	28.7	21.9	35.5	35.9	30.8	31.4	23.5	
	KW	3.76	3.76	3.76	3.76	3.75	3.85	3.84	3.85	3.84	3.84	3.94	3.93	3.94	3.93	3.93	
115	T.C.	30.3	31.7	31.9	35.5	40.5	31.9	32.9	33.0	36.6	41.6	33.4	34.1	34.1	37.8	42.7	
	S.C.	30.3	29.7	24.6	24.9	19.6	31.9	32.2	27.0	27.7	21.2	33.4	34.1	29.4	30.4	22.8	
	KW	4.13	4.13	4.14	4.14	4.13	4.22	4.22	4.23	4.22	4.22	4.31	4.30	4.31	4.30	4.31	
125	T.C.	28.7	30.0	30.1	33.4	38.5	30.0	31.2	31.1	34.6	39.5	31.3	32.4	32.0	35.7	40.5	
	S.C.	28.7	28.4	23.5	23.9	18.9	30.0	30.5	25.8	26.7	20.5	31.3	32.4	28.1	29.4	22.1	
	KW	4.51	4.50	4.52	4.52	4.50	4.59	4.59	4.60	4.60	4.59	4.68	4.68	4.69	4.68	4.68	

NOTE: ALL CAPACITIES INCLUDE INDOOR FAN HEAT. KW VALUES ARE FOR THE SYSTEM (OUTDOOR + INDOOR).

Green shaded cells are ACCA (TVA) conditions.

Blue shaded cells are AHRJ conditions.

Multipliers for determining the performance with other indoor sections.

NOTE: For dry bulb temperatures different than those listed (between 73-87 °F), sensible capacity increases by 1060 BTUH per 1000 CFM per degree above the listed temperature and decreases by 1060 BTUH per 1000 CFM per degree below the listed temperature.

COIL MULTIPLIERS - 3.5 TON

Air Handler	Coil	T.C.	S.C.	KW
-	CF/CM/CU48C	0.99	1.06	1.03
-	CF/CM/CU48D	0.99	1.06	1.03
-	CF48CBCA1	0.99	1.06	1.03
-	CM48CBCA1	0.99	1.06	1.03
-	CM48DBCA1	0.99	1.06	1.03
AE42CX21	-	0.98	0.96	0.94
AE48CBC21	-	0.99	0.99	0.95
AE48CX21	-	0.99	0.99	0.95
AE48DBC21	-	0.99	1.01	0.93
AE48DX21	-	0.99	1.01	0.93
AP48CBC21	-	1.00	1.00	1.00
AP48CX21	-	1.00	1.00	1.00
AP48DX21	-	1.00	1.10	1.04
AVC42CX21	-	0.98	0.96	0.94
AVC48CX21	-	0.99	1.00	0.95
AVC48DX21	-	0.99	0.98	0.95
ME14DN21	CF/CM48D	0.99	0.99	0.95
ME14DN21	CM48DBCA1	0.99	0.99	0.95
ME16CN21	CF/CM48C	0.99	1.04	0.95
ME16CN21	CF48CBCA1	0.99	1.04	0.95
ME16CN21	CM48CBCA1	0.99	1.04	0.95
ME20DN21	CF/CM48D	1.00	1.03	0.94
ME20DN21	CM48DBCA1	1.00	1.03	0.94
MVC14DN21	CF/CM48D	0.99	0.99	0.93
MVC14DN21	CM48DBCA1	0.99	0.99	0.93
MVC16CN21	CF/CM48C	0.99	0.98	0.95
MVC16CN21	CF48CBCA1	0.99	0.98	0.95
MVC16CN21	CM48CBCA1	0.99	0.98	0.95
MVC20DN21	CF/CM48D	0.99	0.99	0.93
MVC20DN21	CM48DBCA1	0.99	0.99	0.93

FURNACE MULTIPLIERS - 3.5 TON

Furnaces	Coil	T.C.	S.C.	KW
TL8E080C16UH11	CF/CM/CU48C	1.00	0.95	1.02
TL8E080C16UH11	CF/CM/CU48D	1.00	0.96	0.98
TL8E080C16UH11	CF48CBCA1	1.00	0.95	1.02
TL8E080C16UH11	CM48CBCA1	1.00	0.95	1.02
TL8E080C16UH11	CM48DBCA1	1.00	0.96	0.98
TL8E100C20UH11	CF/CM/CU48C	1.00	0.95	0.98
TL8E100C20UH11	CF/CM/CU48D	1.01	0.97	0.98
TL8E100C20UH11	CF48CBCA1	1.00	0.95	0.98
TL8E100C20UH11	CM48CBCA1	1.00	0.95	0.98
TL8E100C20UH11	CM48DBCA1	1.01	0.97	0.98
TL9E080C16UH11	CF/CM/CU48D	1.00	0.95	1.02
TL9E080C16UH11	CM48DBCA1	1.00	0.95	1.02
TL9E100C20UH11	CF/CM/CU48C	1.00	0.94	0.98
TL9E100C20UH11	CF/CM/CU48D	1.00	0.95	0.96
TL9E100C20UH11	CF48CBCA1	1.00	0.94	0.98
TL9E100C20UH11	CM48CBCA1	1.00	0.94	0.98
TL9E100C20UH11	CM48DBCA1	1.00	0.95	0.96
TM8E080C16MP11	CF/CM/CU48C	1.00	0.95	0.98
TM8E080C16MP11	CF/CM/CU48D	1.00	0.96	0.98
TM8E080C16MP11	CF48CBCA1	1.00	0.95	0.98
TM8E080C16MP11	CM48CBCA1	1.00	0.95	0.98
TM8E080C16MP11	CM48DBCA1	1.00	0.96	0.98

FURNACE MULTIPLIERS - 3.5 TON (Continued)

Furnaces	Coil	T.C.	S.C.	KW
TM8E080C20MP11	CF/CM/CU48C	1.00	0.95	0.98
TM8E080C20MP11	CF/CM/CU48D	1.01	0.97	0.98
TM8E080C20MP11	CF48CBCA1	1.00	0.95	0.98
TM8E080C20MP11	CM48CBCA1	1.00	0.95	0.98
TM8E080C20MP11	CM48DBCA1	1.01	0.97	0.98
TM8E100C16MP11	CF/CM/CU48C	1.00	0.96	1.02
TM8E100C16MP11	CF/CM/CU48D	1.00	0.96	0.98
TM8E100C16MP11	CF48CBCA1	1.00	0.96	1.02
TM8E100C16MP11	CM48CBCA1	1.00	0.96	1.02
TM8E100C16MP11	CM48DBCA1	1.00	0.96	0.98
TM8E100C20MP11	CF/CM/CU48C	1.00	0.95	0.98
TM8E100C20MP11	CF/CM/CU48D	1.01	0.97	0.98
TM8E100C20MP11	CF48CBCA1	1.00	0.95	0.98
TM8E100C20MP11	CM48CBCA1	1.00	0.95	0.98
TM8E100C20MP11	CM48DBCA1	1.01	0.97	0.98
TM8E120C16MP11	CF/CM/CU48C	1.00	0.96	0.98
TM8E120C16MP11	CF/CM/CU48D	1.00	0.96	0.98
TM8E120C16MP11	CF48CBCA1	1.00	0.96	0.98
TM8E120C16MP11	CM48CBCA1	1.00	0.96	0.98
TM8E120C16MP11	CM48DBCA1	1.00	0.96	0.98
TM8E120C20MP11	CF/CM/CU48C	1.01	0.98	0.99
TM8E120C20MP11	CF/CM/CU48D	1.01	0.98	0.99
TM8E120C20MP11	CF48CBCA1	1.01	0.98	0.99
TM8E120C20MP11	CM48CBCA1	1.01	0.98	0.99
TM8E120C20MP11	CM48DBCA1	1.01	0.98	0.99
TM8E130D20MP11	CF/CM/CU48D	1.01	0.98	0.99
TM8E130D20MP11	CM48DBCA1	1.01	0.98	0.99
TM8V080C16MP11C	CF/CM/CU48C	0.98	0.96	0.94
TM8V080C16MP11C	CF/CM/CU48D	0.98	0.96	0.94
TM8V080C16MP11C	CF48CBCA1	0.98	0.96	0.94
TM8V080C16MP11C	CM48CBCA1	0.98	0.96	0.94
TM8V080C16MP11C	CM48DBCA1	0.98	0.96	0.94
TM8V080C16MP12C	CF/CM/CU48C	0.98	0.96	0.94
TM8V080C16MP12C	CF/CM/CU48D	0.98	0.96	0.94
TM8V080C16MP12C	CF48CBCA1	0.98	0.96	0.94
TM8V080C16MP12C	CM48CBCA1	0.98	0.96	0.94
TM8V080C16MP12C	CM48DBCA1	0.98	0.96	0.94
TM8V100C16MP11C	CF/CM/CU48C	0.98	0.96	0.94
TM8V100C16MP11C	CF/CM/CU48D	0.98	0.96	0.94
TM8V100C16MP11C	CF48CBCA1	0.98	0.96	0.94
TM8V100C16MP11C	CM48CBCA1	0.98	0.96	0.94
TM8V100C16MP11C	CM48DBCA1	0.98	0.96	0.94
TM8V100C16MP12C	CF/CM/CU48C	0.98	0.96	0.94
TM8V100C16MP12C	CF/CM/CU48D	0.98	0.96	0.94
TM8V100C16MP12C	CF48CBCA1	0.98	0.96	0.94
TM8V100C16MP12C	CM48CBCA1	0.98	0.96	0.94
TM8V100C16MP12C	CM48DBCA1	0.98	0.96	0.94
TM8V100C20MP11C	CF/CM/CU48C	0.98	0.96	0.94
TM8V100C20MP11C	CF/CM/CU48D	0.99	0.98	0.95
TM8V100C20MP11C	CF48CBCA1	0.98	0.96	0.94
TM8V100C20MP11C	CM48CBCA1	0.98	0.96	0.94
TM8V100C20MP11C	CM48DBCA1	0.99	0.98	0.95
TM8V100C20MP12C	CF/CM/CU48C	0.98	0.96	0.94
TM8V100C20MP12C	CF/CM/CU48D	0.99	0.98	0.95
TM8V100C20MP12C	CF48CBCA1	0.98	0.96	0.94

FURNACE MULTIPLIERS - 3.5 TON (Continued)

Furnaces	Coil	T.C.	S.C.	KW
TM8V100C20MP12C	CM48CBCA1	0.98	0.96	0.94
TM8V100C20MP12C	CM48DBCA1	0.99	0.98	0.95
TM8V120C20MP11C	CF/CM/CU48C	0.98	0.96	0.94
TM8V120C20MP11C	CF/CM/CU48D	0.99	0.98	0.95
TM8V120C20MP11C	CF48CBCA1	0.98	0.96	0.94
TM8V120C20MP11C	CM48CBCA1	0.98	0.96	0.94
TM8V120C20MP11C	CM48DBCA1	0.99	0.98	0.95
TM8V120C20MP12C	CF/CM/CU48C	0.98	0.96	0.94
TM8V120C20MP12C	CF/CM/CU48D	0.99	0.98	0.95
TM8V120C20MP12C	CF48CBCA1	0.98	0.96	0.94
TM8V120C20MP12C	CM48CBCA1	0.98	0.96	0.94
TM8V120C20MP12C	CM48DBCA1	0.99	0.98	0.95
TM8X080C16MP11	CF/CM/CU48C	0.98	0.96	0.94
TM8X080C16MP11	CF/CM/CU48D	0.98	0.96	0.94
TM8X080C16MP11	CF48CBCA1	0.98	0.96	0.94
TM8X080C16MP11	CM48CBCA1	0.98	0.96	0.94
TM8X080C16MP11	CM48DBCA1	0.98	0.96	0.94
TM8X080C16MP11	CM48CBCA1	0.98	0.96	0.94
TM8X100C16MP11	CF/CM/CU48C	0.98	0.96	0.94
TM8X100C16MP11	CF/CM/CU48D	0.98	0.96	0.94
TM8X100C16MP11	CF48CBCA1	0.98	0.96	0.94
TM8X100C16MP11	CM48CBCA1	0.98	0.96	0.94
TM8X100C16MP11	CM48DBCA1	0.98	0.96	0.94
TM8X100C20MP11	CF/CM/CU48C	0.99	1.00	0.95
TM8X100C20MP11	CF/CM/CU48D	0.99	1.01	0.95
TM8X100C20MP11	CF48CBCA1	0.99	1.00	0.95
TM8X100C20MP11	CM48CBCA1	0.99	1.00	0.95
TM8X100C20MP11	CM48DBCA1	0.99	1.01	0.95
TM8X120C20MP11	CF/CM/CU48C	0.99	1.00	0.95
TM8X120C20MP11	CF/CM/CU48D	0.99	1.01	0.95
TM8X120C20MP11	CF48CBCA1	0.99	1.00	0.95
TM8X120C20MP11	CM48CBCA1	0.99	1.00	0.95
TM8X120C20MP11	CM48DBCA1	0.99	1.01	0.95
TM8Y080C16MP11	CF/CM/CU48C	0.98	0.96	0.94
TM8Y080C16MP11	CF/CM/CU48D	0.98	0.96	0.94
TM8Y080C16MP11	CF48CBCA1	0.98	0.96	0.94
TM8Y080C16MP11	CM48CBCA1	0.98	0.96	0.94
TM8Y080C16MP11	CM48DBCA1	0.98	0.96	0.94
TM8Y080C16MP11	CM48CBCA1	0.98	0.96	0.94
TM8Y100C16MP11	CF/CM/CU48C	0.98	0.96	0.94
TM8Y100C16MP11	CF/CM/CU48D	0.98	0.96	0.94
TM8Y100C16MP11	CF48CBCA1	0.98	0.96	0.94
TM8Y100C16MP11	CM48CBCA1	0.98	0.96	0.94
TM8Y100C16MP11	CM48DBCA1	0.98	0.96	0.94
TM8Y100C20MP11	CF/CM/CU48C	0.99	1.00	0.95
TM8Y100C20MP11	CF/CM/CU48D	0.99	1.01	0.95
TM8Y100C20MP11	CF48CBCA1	0.99	1.00	0.95
TM8Y100C20MP11	CM48CBCA1	0.99	1.00	0.95
TM8Y100C20MP11	CM48DBCA1	0.99	1.01	0.95
TM8Y120C20MP11	CF/CM/CU48C	0.99	1.00	0.95
TM8Y120C20MP11	CF/CM/CU48D	0.99	1.01	0.95
TM8Y120C20MP11	CF48CBCA1	0.99	1.00	0.95
TM8Y120C20MP11	CM48CBCA1	0.99	1.00	0.95
TM8Y120C20MP11	CM48DBCA1	0.99	1.01	0.95
TM9E080C16MP11	CF/CM/CU48C	0.98	0.97	0.94
TM9E080C16MP11	CF/CM/CU48D	0.98	0.97	0.94
TM9E080C16MP11	CF48CBCA1	0.98	0.97	0.94

FURNACE MULTIPLIERS - 3.5 TON (Continued)

Furnaces	Coil	T.C.	S.C.	KW
TM9E080C16MP11	CM48CBCA1	0.98	0.97	0.94
TM9E080C16MP11	CM48DBCA1	0.98	0.97	0.94
TM9E080C20MP12	CF/CM/CU48C	1.00	0.94	0.98
TM9E080C20MP12	CF/CM/CU48D	1.00	0.95	0.96
TM9E080C20MP12	CF48CBCA1	1.00	0.94	0.98
TM9E080C20MP12	CM48CBCA1	1.00	0.94	0.98
TM9E080C20MP12	CM48DBCA1	1.00	0.95	0.96
TM9E100C16MP11	CF/CM/CU48C	0.98	0.97	0.94
TM9E100C16MP11	CF/CM/CU48D	0.98	0.97	0.94
TM9E100C16MP11	CF48CBCA1	0.98	0.97	0.94
TM9E100C16MP11	CM48CBCA1	0.98	0.97	0.94
TM9E100C16MP11	CM48DBCA1	0.98	0.97	0.94
TM9E100C16MP12	CF/CM/CU48C	1.00	0.95	1.02
TM9E100C16MP12	CF/CM/CU48D	1.00	0.96	1.02
TM9E100C16MP12	CF48CBCA1	1.00	0.95	1.02
TM9E100C16MP12	CM48CBCA1	1.00	0.95	1.02
TM9E100C16MP12	CM48DBCA1	1.00	0.96	1.02
TM9E100C20MP11	CF/CM/CU48C	0.98	0.97	0.94
TM9E100C20MP11	CF/CM/CU48D	0.99	1.00	0.95
TM9E100C20MP11	CF48CBCA1	0.98	0.97	0.94
TM9E100C20MP11	CM48CBCA1	0.98	0.97	0.94
TM9E100C20MP11	CM48DBCA1	0.99	1.00	0.95
TM9E100C20MP12	CF/CM/CU48C	1.00	0.94	0.96
TM9E100C20MP12	CF/CM/CU48D	1.00	0.94	0.96
TM9E100C20MP12	CF48CBCA1	1.00	0.94	0.96
TM9E100C20MP12	CM48CBCA1	1.00	0.94	0.96
TM9E100C20MP12	CM48DBCA1	1.00	0.94	0.96
TM9E120D20MP11	CF/CM/CU48D	0.99	1.01	0.95
TM9E120D20MP11	CM48DBCA1	0.99	1.01	0.95
TM9E120D20MP12	CF/CM/CU48D	1.00	0.95	0.98
TM9E120D20MP12	CM48DBCA1	1.00	0.95	0.98
TM9V080C16MP11C	CF/CM/CU48C	0.99	1.00	0.99
TM9V080C16MP11C	CF/CM/CU48D	0.99	1.00	0.99
TM9V080C16MP11C	CF48CBCA1	0.99	1.00	0.99
TM9V080C16MP11C	CM48CBCA1	0.99	1.00	0.99
TM9V080C16MP11C	CM48DBCA1	0.99	1.00	0.99
TM9V080C16MP12C	CF/CM/CU48C	0.99	1.00	0.99
TM9V080C16MP12C	CF/CM/CU48D	0.99	1.00	0.99
TM9V080C16MP12C	CF48CBCA1	0.99	1.00	0.99
TM9V080C16MP12C	CM48CBCA1	0.99	1.00	0.99
TM9V080C16MP12C	CM48DBCA1	0.99	1.00	0.99
TM9V100C16MP11C	CF/CM/CU48C	0.98	0.97	0.94
TM9V100C16MP11C	CF/CM/CU48D	0.98	0.97	0.94
TM9V100C16MP11C	CF48CBCA1	0.98	0.97	0.94
TM9V100C16MP11C	CM48CBCA1	0.98	0.97	0.94
TM9V100C16MP11C	CM48DBCA1	0.98	0.97	0.94
TM9V100C16MP12C	CF/CM/CU48C	0.98	0.97	0.94
TM9V100C16MP12C	CF/CM/CU48D	0.98	0.97	0.94
TM9V100C16MP12C	CF48CBCA1	0.98	0.97	0.94
TM9V100C16MP12C	CM48CBCA1	0.98	0.97	0.94
TM9V100C16MP12C	CM48DBCA1	0.98	0.97	0.94
TM9V100C20MP11C	CF/CM/CU48C	0.99	1.00	0.95
TM9V100C20MP11C	CF/CM/CU48D	0.99	1.00	0.95
TM9V100C20MP11C	CF48CBCA1	0.99	1.00	0.95
TM9V100C20MP11C	CM48CBCA1	0.99	1.00	0.95

FURNACE MULTIPLIERS - 3.5 TON (Continued)

Furnaces	Coil	T.C.	S.C.	KW
TM9V100C20MP11C	CM48DBCA1	0.99	1.00	0.95
TM9V100C20MP12C	CF/CM/CU48C	0.99	1.00	0.95
TM9V100C20MP12C	CF/CM/CU48D	0.99	1.00	0.95
TM9V100C20MP12C	CF48CBCA1	0.99	1.00	0.95
TM9V100C20MP12C	CM48CBCA1	0.99	1.00	0.95
TM9V100C20MP12C	CM48DBCA1	0.99	1.00	0.95
TM9V120D20MP11C	CF/CM/CU48D	0.99	1.00	0.95
TM9V120D20MP11C	CM48DBCA1	0.99	1.00	0.95
TM9V120D20MP12C	CF/CM/CU48D	0.99	1.00	0.95
TM9V120D20MP12C	CM48DBCA1	0.99	1.00	0.95
TM9Y080C16MP11	CF/CM/CU48C	0.98	0.97	0.94
TM9Y080C16MP11	CF/CM/CU48D	0.98	0.97	0.94
TM9Y080C16MP11	CF48CBCA1	0.98	0.97	0.94
TM9Y080C16MP11	CM48CBCA1	0.98	0.97	0.94
TM9Y080C16MP11	CM48DBCA1	0.98	0.97	0.94
TM9Y100C16MP11	CF/CM/CU48C	0.98	0.97	0.94
TM9Y100C16MP11	CF/CM/CU48D	0.98	0.97	0.94
TM9Y100C16MP11	CF48CBCA1	0.98	0.97	0.94
TM9Y100C16MP11	CM48CBCA1	0.98	0.97	0.94
TM9Y100C16MP11	CM48DBCA1	0.98	0.97	0.94
TM9Y100C20MP11	CF/CM/CU48C	0.98	0.97	0.94
TM9Y100C20MP11	CF/CM/CU48D	0.99	1.00	0.95
TM9Y100C20MP11	CF48CBCA1	0.98	0.97	0.94
TM9Y100C20MP11	CM48CBCA1	0.98	0.97	0.94
TM9Y100C20MP11	CM48DBCA1	0.99	1.00	0.95
TM9Y120D20MP11	CF/CM/CU48D	0.99	1.01	0.95
TM9Y120D20MP11	CM48DBCA1	0.99	1.01	0.95
TMLE080C16MP11	CF/CM/CU48C	1.00	0.95	0.98
TMLE080C16MP11	CF/CM/CU48D	1.00	0.96	0.98
TMLE080C16MP11	CF48CBCA1	1.00	0.95	0.98
TMLE080C16MP11	CM48CBCA1	1.00	0.95	0.98
TMLE080C16MP11	CM48DBCA1	1.00	0.96	0.98
TMLE080C20MP11	CF/CM/CU48C	1.00	0.95	0.98
TMLE080C20MP11	CF/CM/CU48D	1.01	0.97	0.98
TMLE080C20MP11	CF48CBCA1	1.00	0.95	0.98
TMLE080C20MP11	CM48CBCA1	1.00	0.95	0.98
TMLE080C20MP11	CM48DBCA1	1.01	0.97	0.98
TMLE100C16MP11	CF/CM/CU48C	1.00	0.96	1.02
TMLE100C16MP11	CF/CM/CU48D	1.00	0.96	0.98
TMLE100C16MP11	CF48CBCA1	1.00	0.96	1.02
TMLE100C16MP11	CM48CBCA1	1.00	0.96	1.02
TMLE100C16MP11	CM48DBCA1	1.00	0.96	0.98
TMLE100C20MP11	CF/CM/CU48C	1.00	0.95	0.98
TMLE100C20MP11	CF/CM/CU48D	1.01	0.97	0.98
TMLE100C20MP11	CF48CBCA1	1.00	0.95	0.98
TMLE100C20MP11	CM48CBCA1	1.00	0.95	0.98
TMLE100C20MP11	CM48DBCA1	1.01	0.97	0.98
TMLE120C16MP11	CF/CM/CU48C	1.00	0.96	0.98
TMLE120C16MP11	CF/CM/CU48D	1.00	0.96	0.98
TMLE120C16MP11	CF48CBCA1	1.00	0.96	0.98
TMLE120C16MP11	CM48CBCA1	1.00	0.96	0.98
TMLE120C16MP11	CM48DBCA1	1.00	0.96	0.98
TMLE120C20MP11	CF/CM/CU48C	1.01	0.98	0.99
TMLE120C20MP11	CF/CM/CU48D	1.01	0.98	0.99
TMLE120C20MP11	CF48CBCA1	1.01	0.98	0.99

FURNACE MULTIPLIERS - 3.5 TON (Continued)

Furnaces	Coil	T.C.	S.C.	KW
TMLE120C20MP11	CM48CBCA1	1.01	0.98	0.99
TMLE120C20MP11	CM48DBCA1	1.01	0.98	0.99
TMLE130D20MP11	CF/CM/CU48D	1.01	0.98	0.99
TMLE130D20MP11	CM48DBCA1	1.01	0.98	0.99
TMLV080C16MP11C	CF/CM/CU48C	0.98	0.96	0.94
TMLV080C16MP11C	CF/CM/CU48D	0.98	0.96	0.94
TMLV080C16MP11C	CF48CBCA1	0.98	0.96	0.94
TMLV080C16MP11C	CM48CBCA1	0.98	0.96	0.94
TMLV080C16MP11C	CM48DBCA1	0.98	0.96	0.94
TMLV080C16MP12C	CF/CM/CU48C	0.98	0.96	0.94
TMLV080C16MP12C	CF/CM/CU48D	0.98	0.96	0.94
TMLV080C16MP12C	CF48CBCA1	0.98	0.96	0.94
TMLV080C16MP12C	CM48CBCA1	0.98	0.96	0.94
TMLV080C16MP12C	CM48DBCA1	0.98	0.96	0.94
TMLV100C16MP11C	CF/CM/CU48C	0.98	0.96	0.94
TMLV100C16MP11C	CF/CM/CU48D	0.98	0.96	0.94
TMLV100C16MP11C	CF48CBCA1	0.98	0.96	0.94
TMLV100C16MP11C	CM48CBCA1	0.98	0.96	0.94
TMLV100C16MP11C	CM48DBCA1	0.98	0.96	0.94
TMLV100C16MP12C	CF/CM/CU48C	0.98	0.96	0.94
TMLV100C16MP12C	CF/CM/CU48D	0.98	0.96	0.94
TMLV100C16MP12C	CF48CBCA1	0.98	0.96	0.94
TMLV100C16MP12C	CM48CBCA1	0.98	0.96	0.94
TMLV100C16MP12C	CM48DBCA1	0.98	0.96	0.94
TMLV100C20MP11C	CF/CM/CU48C	0.98	0.96	0.94
TMLV100C20MP11C	CF/CM/CU48D	0.99	0.98	0.95
TMLV100C20MP11C	CF48CBCA1	0.98	0.96	0.94
TMLV100C20MP11C	CM48CBCA1	0.98	0.96	0.94
TMLV100C20MP11C	CM48DBCA1	0.99	0.98	0.95
TMLV100C20MP12C	CF/CM/CU48C	0.98	0.96	0.94
TMLV100C20MP12C	CF/CM/CU48D	0.99	0.98	0.95
TMLV100C20MP12C	CF48CBCA1	0.98	0.96	0.94
TMLV100C20MP12C	CM48CBCA1	0.98	0.96	0.94
TMLV100C20MP12C	CM48DBCA1	0.99	0.98	0.95
TMLV120C20MP11C	CF/CM/CU48C	0.98	0.96	0.94
TMLV120C20MP11C	CF/CM/CU48D	0.99	0.98	0.95
TMLV120C20MP11C	CF48CBCA1	0.98	0.96	0.94
TMLV120C20MP11C	CM48CBCA1	0.98	0.96	0.94
TMLV120C20MP11C	CM48DBCA1	0.99	0.98	0.95
TMLV120C20MP12C	CF/CM/CU48C	0.98	0.96	0.94
TMLV120C20MP12C	CF/CM/CU48D	0.99	0.98	0.95
TMLV120C20MP12C	CF48CBCA1	0.98	0.96	0.94
TMLV120C20MP12C	CM48CBCA1	0.98	0.96	0.94
TMLV120C20MP12C	CM48DBCA1	0.99	0.98	0.95
TMLX080C16MP11	CF/CM/CU48C	0.98	0.96	0.94
TMLX080C16MP11	CF/CM/CU48D	0.98	0.96	0.94
TMLX080C16MP11	CF48CBCA1	0.98	0.96	0.94
TMLX080C16MP11	CM48CBCA1	0.98	0.96	0.94
TMLX080C16MP11	CM48DBCA1	0.98	0.96	0.94
TMLX100C16MP11	CF/CM/CU48C	0.98	0.96	0.94
TMLX100C16MP11	CF/CM/CU48D	0.98	0.96	0.94
TMLX100C16MP11	CF48CBCA1	0.98	0.96	0.94
TMLX100C16MP11	CM48CBCA1	0.98	0.96	0.94
TMLX100C16MP11	CM48DBCA1	0.98	0.96	0.94
TMLX100C20MP11	CF/CM/CU48C	0.99	1.00	0.95

FURNACE MULTIPLIERS - 3.5 TON (Continued)

Furnaces	Coil	T.C.	S.C.	KW
TMLX100C20MP11	CF/CM/CU48D	0.99	1.01	0.95
TMLX100C20MP11	CF48CBCA1	0.99	1.00	0.95
TMLX100C20MP11	CM48CBCA1	0.99	1.00	0.95
TMLX100C20MP11	CM48DBCA1	0.99	1.01	0.95
TMLX120C20MP11	CF/CM/CU48C	0.99	1.00	0.95
TMLX120C20MP11	CF/CM/CU48D	0.99	1.01	0.95
TMLX120C20MP11	CF48CBCA1	0.99	1.00	0.95
TMLX120C20MP11	CM48CBCA1	0.99	1.00	0.95
TMLX120C20MP11	CM48DBCA1	0.99	1.01	0.95
TP9C080C16MP13C	CF/CM/CU48C	0.99	1.00	0.99
TP9C080C16MP13C	CF/CM/CU48D	0.99	1.00	0.99
TP9C080C16MP13C	CF48CBCA1	0.99	1.00	0.99
TP9C080C16MP13C	CM48CBCA1	0.99	1.00	0.99
TP9C080C16MP13C	CM48DBCA1	0.99	1.00	0.99
TP9C100C16MP12C	CF/CM/CU48C	0.98	0.97	0.94
TP9C100C16MP12C	CF/CM/CU48D	0.98	0.97	0.94
TP9C100C16MP12C	CF48CBCA1	0.98	0.97	0.94
TP9C100C16MP12C	CM48CBCA1	0.98	0.97	0.94
TP9C100C16MP12C	CM48DBCA1	0.98	0.97	0.94
TP9C100C16MP13C	CF/CM/CU48C	0.98	0.97	0.94
TP9C100C16MP13C	CF/CM/CU48D	0.98	0.97	0.94
TP9C100C16MP13C	CF48CBCA1	0.98	0.97	0.94
TP9C100C16MP13C	CM48CBCA1	0.98	0.97	0.94
TP9C100C16MP13C	CM48DBCA1	0.98	0.97	0.94
TP9C100C20MP12C	CF/CM/CU48C	0.99	1.00	0.95
TP9C100C20MP12C	CF/CM/CU48D	0.99	1.00	0.95
TP9C100C20MP12C	CF48CBCA1	0.99	1.00	0.95
TP9C100C20MP12C	CM48CBCA1	0.99	1.00	0.95
TP9C100C20MP12C	CM48DBCA1	0.99	1.00	0.95
TP9C100C20MP13C	CF/CM/CU48C	0.99	1.00	0.95
TP9C100C20MP13C	CF/CM/CU48D	0.99	1.00	0.95
TP9C100C20MP13C	CF48CBCA1	0.99	1.00	0.95
TP9C100C20MP13C	CM48CBCA1	0.99	1.00	0.95
TP9C100C20MP13C	CM48DBCA1	0.99	1.00	0.95
TP9C120D20MP12C	CF/CM/CU48D	0.99	1.00	0.95
TP9C120D20MP12C	CM48DBCA1	0.99	1.00	0.95
TP9C120D20MP13C	CF/CM/CU48D	0.99	1.00	0.95
TP9C120D20MP13C	CM48DBCA1	0.99	1.00	0.95
TPLC080C16MP12C	CF/CM/CU48C	0.98	0.96	0.94
TPLC080C16MP12C	CF/CM/CU48D	0.98	0.96	0.94
TPLC080C16MP12C	CF48CBCA1	0.98	0.96	0.94
TPLC080C16MP12C	CM48CBCA1	0.98	0.96	0.94
TPLC080C16MP12C	CM48DBCA1	0.98	0.96	0.94
TPLC080C16MP13C	CF/CM/CU48C	0.98	0.96	0.94
TPLC080C16MP13C	CF/CM/CU48D	0.98	0.96	0.94
TPLC080C16MP13C	CF48CBCA1	0.98	0.96	0.94
TPLC080C16MP13C	CM48CBCA1	0.98	0.96	0.94
TPLC080C16MP13C	CM48DBCA1	0.98	0.96	0.94
TPLC100C16MP12C	CF/CM/CU48C	0.98	0.96	0.94
TPLC100C16MP12C	CF/CM/CU48D	0.98	0.96	0.94
TPLC100C16MP12C	CF48CBCA1	0.98	0.96	0.94
TPLC100C16MP12C	CM48CBCA1	0.98	0.96	0.94
TPLC100C16MP12C	CM48DBCA1	0.98	0.96	0.94
TPLC100C16MP13C	CF/CM/CU48C	0.98	0.96	0.94
TPLC100C16MP13C	CF/CM/CU48D	0.98	0.96	0.94
TPLC100C16MP13C	CF48CBCA1	0.98	0.96	0.94
TPLC100C16MP13C	CM48CBCA1	0.98	0.96	0.94
TPLC100C16MP13C	CM48DBCA1	0.98	0.96	0.94

FURNACE MULTIPLIERS - 3.5 TON (Continued)

Furnaces	Coil	T.C.	S.C.	KW
TPLC100C16MP13C	CF48CBCA1	0.98	0.96	0.94
TPLC100C16MP13C	CM48CBCA1	0.98	0.96	0.94
TPLC100C16MP13C	CM48DBCA1	0.98	0.96	0.94
TPLC100C20MP12C	CF/CM/CU48C	0.98	0.96	0.94
TPLC100C20MP12C	CF/CM/CU48D	0.99	0.98	0.95
TPLC100C20MP12C	CF48CBCA1	0.98	0.96	0.94
TPLC100C20MP12C	CM48CBCA1	0.98	0.96	0.94
TPLC100C20MP12C	CM48DBCA1	0.99	0.98	0.95
TPLC100C20MP13C	CF/CM/CU48C	0.98	0.96	0.94
TPLC100C20MP13C	CF/CM/CU48D	0.99	0.98	0.95
TPLC100C20MP13C	CF48CBCA1	0.98	0.96	0.94
TPLC100C20MP13C	CM48CBCA1	0.98	0.96	0.94
TPLC100C20MP13C	CM48DBCA1	0.99	0.98	0.95
TPLC120C20MP12C	CF/CM/CU48C	0.98	0.96	0.94
TPLC120C20MP12C	CF/CM/CU48D	0.99	0.98	0.95
TPLC120C20MP12C	CF48CBCA1	0.98	0.96	0.94
TPLC120C20MP12C	CM48CBCA1	0.98	0.96	0.94
TPLC120C20MP12C	CM48DBCA1	0.99	0.98	0.95
TPLC120C20MP13C	CF/CM/CU48C	0.98	0.96	0.94
TPLC120C20MP13C	CF/CM/CU48D	0.99	0.98	0.95
TPLC120C20MP13C	CF48CBCA1	0.98	0.96	0.94
TPLC120C20MP13C	CM48CBCA1	0.98	0.96	0.94
TPLC120C20MP13C	CM48DBCA1	0.99	0.98	0.95
YP9C080C16MP13C	CF/CM/CU48C	0.99	1.00	0.99
YP9C080C16MP13C	CF/CM/CU48D	0.99	1.00	0.99
YP9C080C16MP13C	CF48CBCA1	0.99	1.00	0.99
YP9C080C16MP13C	CM48CBCA1	0.99	1.00	0.99
YP9C080C16MP13C	CM48DBCA1	0.99	1.00	0.99
YP9C100C16MP12C	CF/CM/CU48C	0.98	0.97	0.94
YP9C100C16MP12C	CF/CM/CU48D	0.98	0.97	0.94
YP9C100C16MP12C	CF48CBCA1	0.98	0.97	0.94
YP9C100C16MP12C	CM48CBCA1	0.98	0.97	0.94
YP9C100C16MP12C	CM48DBCA1	0.98	0.97	0.94
YP9C100C16MP13C	CF/CM/CU48C	0.98	0.97	0.94
YP9C100C16MP13C	CF/CM/CU48D	0.98	0.97	0.94
YP9C100C16MP13C	CF48CBCA1	0.98	0.97	0.94
YP9C100C16MP13C	CM48CBCA1	0.98	0.97	0.94
YP9C100C16MP13C	CM48DBCA1	0.98	0.97	0.94
YP9C100C20MP12C	CF/CM/CU48C	0.99	1.00	0.95
YP9C100C20MP12C	CF/CM/CU48D	0.99	1.00	0.95
YP9C100C20MP12C	CF48CBCA1	0.99	1.00	0.95
YP9C100C20MP12C	CM48CBCA1	0.99	1.00	0.95
YP9C100C20MP12C	CM48DBCA1	0.99	1.00	0.95
YP9C100C20MP13C	CF/CM/CU48C	0.99	1.00	0.95
YP9C100C20MP13C	CF/CM/CU48D	0.99	1.00	0.95
YP9C100C20MP13C	CF48CBCA1	0.99	1.00	0.95
YP9C100C20MP13C	CM48CBCA1	0.99	1.00	0.95
YP9C100C20MP13C	CM48DBCA1	0.99	1.00	0.95
YP9C120D20MP12C	CF/CM/CU48D	0.99	1.00	0.95
YP9C120D20MP12C	CM48DBCA1	0.99	1.00	0.95
YP9C120D20MP13C	CF/CM/CU48D	0.99	1.00	0.95
YP9C120D20MP13C	CM48DBCA1	0.99	1.00	0.95
YPLC080C16MP12C	CF/CM/CU48C	0.98	0.96	0.94
YPLC080C16MP12C	CF/CM/CU48D	0.98	0.96	0.94
YPLC080C16MP12C	CF48CBCA1	0.98	0.96	0.94

FURNACE MULTIPLIERS - 3.5 TON (Continued)

Furnaces	Coil	T.C.	S.C.	KW
YPLC080C16MP12C	CM48CBCA1	0.98	0.96	0.94
YPLC080C16MP12C	CM48DBCA1	0.98	0.96	0.94
YPLC080C16MP13C	CF/CM/CU48C	0.98	0.96	0.94
YPLC080C16MP13C	CF/CM/CU48D	0.98	0.96	0.94
YPLC080C16MP13C	CF48CBCA1	0.98	0.96	0.94
YPLC080C16MP13C	CM48CBCA1	0.98	0.96	0.94
YPLC080C16MP13C	CM48DBCA1	0.98	0.96	0.94
YPLC100C16MP12C	CF/CM/CU48C	0.98	0.96	0.94
YPLC100C16MP12C	CF/CM/CU48D	0.98	0.96	0.94
YPLC100C16MP12C	CF48CBCA1	0.98	0.96	0.94
YPLC100C16MP12C	CM48CBCA1	0.98	0.96	0.94
YPLC100C16MP12C	CM48DBCA1	0.98	0.96	0.94
YPLC100C16MP13C	CF/CM/CU48C	0.98	0.96	0.94
YPLC100C16MP13C	CF/CM/CU48D	0.98	0.96	0.94
YPLC100C16MP13C	CF48CBCA1	0.98	0.96	0.94
YPLC100C16MP13C	CM48CBCA1	0.98	0.96	0.94
YPLC100C16MP13C	CM48DBCA1	0.98	0.96	0.94
YPLC100C20MP12C	CF/CM/CU48C	0.98	0.96	0.94
YPLC100C20MP12C	CF/CM/CU48D	0.99	0.98	0.95
YPLC100C20MP12C	CF48CBCA1	0.98	0.96	0.94

FURNACE MULTIPLIERS - 3.5 TON (Continued)

Furnaces	Coil	T.C.	S.C.	KW
YPLC100C20MP12C	CM48CBCA1	0.98	0.96	0.94
YPLC100C20MP12C	CM48DBCA1	0.99	0.98	0.95
YPLC100C20MP13C	CF/CM/CU48C	0.98	0.96	0.94
YPLC100C20MP13C	CF/CM/CU48D	0.99	0.98	0.95
YPLC100C20MP13C	CF48CBCA1	0.98	0.96	0.94
YPLC100C20MP13C	CM48CBCA1	0.98	0.96	0.94
YPLC100C20MP13C	CM48DBCA1	0.99	0.98	0.95
YPLC120C20MP12C	CF/CM/CU48C	0.98	0.96	0.94
YPLC120C20MP12C	CF/CM/CU48D	0.99	0.98	0.95
YPLC120C20MP12C	CF48CBCA1	0.98	0.96	0.94
YPLC120C20MP12C	CM48CBCA1	0.98	0.96	0.94
YPLC120C20MP12C	CM48DBCA1	0.99	0.98	0.95
YPLC120C20MP13C	CF/CM/CU48C	0.98	0.96	0.94
YPLC120C20MP13C	CF/CM/CU48D	0.99	0.98	0.95
YPLC120C20MP13C	CF48CBCA1	0.98	0.96	0.94
YPLC120C20MP13C	CM48CBCA1	0.98	0.96	0.94
YPLC120C20MP13C	CM48DBCA1	0.99	0.98	0.95

HEATING PERFORMANCE DATA										
CONDENSING UNIT MODEL NO		YHE42B23S								
AIR TEMP. ENTERING OUTDOOR UNIT (°F)	AIR TEMP. ENTERING INDOOR COIL (°F)	ID CFM								
		1150			1400			1650		
		MBH	COP	KW	MBH	COP	KW	MBH	COP	KW
60	60	46.0	3.77	3.57	45.0	3.79	3.48	44.0	3.80	3.39
	70	46.1	3.44	3.96	45.3	3.47	3.85	44.5	3.51	3.75
	80	46.2	3.11	4.35	45.6	3.16	4.23	45.0	3.21	4.10
47	60	41.0	3.65	3.30	40.5	3.65	3.25	40.0	3.65	3.21
	70	40.7	3.32	3.63	40.4	3.34	3.57	40.1	3.37	3.52
	80	40.4	2.99	3.95	40.4	3.04	3.90	40.3	3.08	3.84
40	60	36.9	3.47	3.12	37.1	3.50	3.10	37.2	3.53	3.09
	70	36.4	3.14	3.43	36.7	3.19	3.41	37.0	3.23	3.38
	80	35.9	2.81	3.75	36.3	2.87	3.71	36.7	2.93	3.67
30	60	33.2	3.29	2.96	33.2	3.27	2.98	33.2	3.25	2.99
	70	31.2	2.90	3.19	31.8	2.93	3.21	32.4	2.96	3.23
	80	29.3	2.51	3.42	30.5	2.59	3.44	31.7	2.68	3.47
17	60	25.8	2.79	2.70	26.5	2.84	2.74	27.3	2.88	2.77
	70	24.9	2.51	2.93	25.7	2.56	2.96	26.5	2.61	2.99
	80	24.1	2.23	3.16	24.9	2.29	3.18	25.7	2.35	3.21
10	60	23.0	2.59	2.60	23.3	2.59	2.64	23.66	2.58	2.69
	70	22.1	2.31	2.83	22.6	2.33	2.86	23.0	2.35	2.90
	80	21.2	2.03	3.06	21.8	2.07	3.09	22.4	2.11	3.11
0	60	18.3	2.23	2.38	18.5	2.23	2.42	18.8	2.23	2.46
	70	17.6	1.99	2.59	17.9	2.01	2.62	18.3	2.02	2.65
	80	16.9	1.75	2.80	17.3	1.78	2.82	17.8	1.82	2.85
-10	60	13.5	1.78	2.20	13.7	1.78	2.23	13.9	1.78	2.27
	70	13.0	1.59	2.39	13.2	1.60	2.42	13.5	1.61	2.45
	80	12.5	1.40	2.59	12.8	1.43	2.61	13.1	1.45	2.63
-20	60	8.7	1.22	2.07	8.9	1.22	2.10	9.0	1.22	2.14
	70	8.4	1.09	2.25	8.6	1.10	2.28	8.7	1.11	2.31
	80	8.1	0.96	2.44	8.3	0.98	2.46	8.5	1.00	2.48

NOTE: ALL CAPACITIES INCLUDE INDOOR FAN HEAT. KW VALUES ARE FOR THE SYSTEM (OUTDOOR + INDOOR).

Yellow shaded cells are AHRI High Heating conditions.

Orange shaded cells are AHRI Low Heating conditions.

Multipliers for determining the performance with other indoor sections.

COIL MULTIPLIERS - 3.5 TON

Air Handler	Coil	MBH	COP	KW
-	CF/CM/CU48C	1.00	0.99	1.01
-	CF/CM/CU48D	1.00	0.99	1.01
-	CF48CBCA1	1.00	0.99	1.01
-	CM48CBCA1	1.00	0.99	1.01
-	CM48DBCA1	1.00	0.99	1.01
AE42CX21	-	0.99	1.01	0.98
AE48CBC21	-	0.99	1.03	0.96
AE48CX21	-	0.99	1.03	0.96
AE48DBC21	-	0.98	1.05	0.93
AE48DX21	-	0.98	1.05	0.93
AP48CBC21	-	1.00	1.00	1.00
AP48CX21	-	1.00	1.00	1.00
AP48DX21	-	1.00	1.01	0.99
AVC42CX21	-	0.99	1.00	0.99
AVC48CX21	-	0.99	1.01	0.98

COIL MULTIPLIERS - 3.5 TON

Air Handler	Coil	MBH	COP	KW
AVC48DX21	-	0.99	1.01	0.98
ME14DN21	CF/CM48D	0.99	1.02	0.97
ME14DN21	CM48DBCA1	0.99	1.02	0.97
ME16CN21	CF/CM48C	0.99	1.02	0.96
ME16CN21	CF48CBCA1	0.99	1.02	0.96
ME16CN21	CM48CBCA1	0.99	1.02	0.96
ME20DN21	CF/CM48D	0.98	1.04	0.94
ME20DN21	CM48DBCA1	0.98	1.04	0.94
MVC14DN21	CF/CM48D	0.99	1.02	0.97
MVC14DN21	CM48DBCA1	0.99	1.02	0.97
MVC16CN21	CF/CM48C	0.99	1.01	0.98
MVC16CN21	CF48CBCA1	0.99	1.01	0.98
MVC16CN21	CM48CBCA1	0.99	1.01	0.98
MVC20DN21	CF/CM48D	0.99	1.02	0.97
MVC20DN21	CM48DBCA1	0.99	1.02	0.97

FURNACE MULTIPLIERS - 3.5 TON

Furnaces	Coil	MBH	COP	KW
TL8E080C16UH11	CF/CM/CU48C	1.01	1.08	0.94
TL8E080C16UH11	CF/CM/CU48D	1.01	1.08	0.93
TL8E080C16UH11	CF48CBCA1	1.01	1.08	0.94
TL8E080C16UH11	CM48CBCA1	1.01	1.08	0.94
TL8E080C16UH11	CM48DBCA1	1.01	1.08	0.93
TL8E100C20UH11	CF/CM/CU48C	1.01	1.09	0.93
TL8E100C20UH11	CF/CM/CU48D	1.01	1.10	0.92
TL8E100C20UH11	CF48CBCA1	1.01	1.09	0.93
TL8E100C20UH11	CM48CBCA1	1.01	1.09	0.93
TL8E100C20UH11	CM48DBCA1	1.01	1.10	0.92
TL9E080C16UH11	CF/CM/CU48D	1.01	1.08	0.94
TL9E080C16UH11	CM48DBCA1	1.01	1.08	0.94
TL9E100C20UH11	CF/CM/CU48C	1.01	1.09	0.93
TL9E100C20UH11	CF/CM/CU48D	1.01	1.10	0.92
TL9E100C20UH11	CF48CBCA1	1.01	1.09	0.93
TL9E100C20UH11	CM48CBCA1	1.01	1.09	0.93
TL9E100C20UH11	CM48DBCA1	1.01	1.10	0.92
TM8E080C16MP11	CF/CM/CU48C	1.01	1.08	0.93
TM8E080C16MP11	CF/CM/CU48D	1.01	1.08	0.93
TM8E080C16MP11	CF48CBCA1	1.01	1.08	0.93
TM8E080C16MP11	CM48CBCA1	1.01	1.08	0.93
TM8E080C16MP11	CM48DBCA1	1.01	1.08	0.93
TM8E080C20MP11	CF/CM/CU48C	1.01	1.09	0.93
TM8E080C20MP11	CF/CM/CU48D	1.01	1.10	0.92
TM8E080C20MP11	CF48CBCA1	1.01	1.09	0.93
TM8E080C20MP11	CM48CBCA1	1.01	1.09	0.93
TM8E080C20MP11	CM48DBCA1	1.01	1.10	0.92
TM8E100C16MP11	CF/CM/CU48C	1.01	1.08	0.93
TM8E100C16MP11	CF/CM/CU48D	1.01	1.08	0.93
TM8E100C16MP11	CF48CBCA1	1.01	1.08	0.93
TM8E100C16MP11	CM48CBCA1	1.01	1.08	0.93
TM8E100C16MP11	CM48DBCA1	1.01	1.08	0.93
TM8E100C20MP11	CF/CM/CU48C	1.01	1.09	0.93
TM8E100C20MP11	CF/CM/CU48D	1.01	1.10	0.92
TM8E100C20MP11	CF48CBCA1	1.01	1.09	0.93
TM8E100C20MP11	CM48CBCA1	1.01	1.09	0.93
TM8E100C20MP11	CM48DBCA1	1.01	1.10	0.92
TM8E120C16MP11	CF/CM/CU48C	1.01	1.08	0.93
TM8E120C16MP11	CF/CM/CU48D	1.01	1.09	0.93
TM8E120C16MP11	CF48CBCA1	1.01	1.08	0.93
TM8E120C16MP11	CM48CBCA1	1.01	1.08	0.93
TM8E120C16MP11	CM48DBCA1	1.01	1.09	0.93
TM8E120C20MP11	CF/CM/CU48C	1.01	1.10	0.92
TM8E120C20MP11	CF/CM/CU48D	1.01	1.10	0.92
TM8E120C20MP11	CF48CBCA1	1.01	1.10	0.92
TM8E120C20MP11	CM48CBCA1	1.01	1.10	0.92
TM8E120C20MP11	CM48DBCA1	1.01	1.10	0.92
TM8E130D20MP11	CF/CM/CU48D	1.00	1.10	0.91
TM8E130D20MP11	CM48DBCA1	1.00	1.10	0.91
TM8V080C16MP11C	CF/CM/CU48C	0.99	0.99	0.99
TM8V080C16MP11C	CF/CM/CU48D	0.99	0.99	0.99
TM8V080C16MP11C	CF48CBCA1	0.99	0.99	0.99
TM8V080C16MP11C	CM48CBCA1	0.99	0.99	0.99
TM8V080C16MP11C	CM48DBCA1	0.99	0.99	0.99
TM8V080C16MP12C	CF/CM/CU48C	0.99	0.99	0.99

FURNACE MULTIPLIERS - 3.5 TON (Continued)

Furnaces	Coil	MBH	COP	KW
TM8V080C16MP12C	CF/CM/CU48D	0.99	0.99	0.99
TM8V080C16MP12C	CF48CBCA1	0.99	0.99	0.99
TM8V080C16MP12C	CM48CBCA1	0.99	0.99	0.99
TM8V080C16MP12C	CM48DBCA1	0.99	0.99	0.99
TM8V100C16MP11C	CF/CM/CU48C	0.99	0.99	0.99
TM8V100C16MP11C	CF/CM/CU48D	0.99	0.99	0.99
TM8V100C16MP11C	CF48CBCA1	0.99	0.99	0.99
TM8V100C16MP11C	CM48CBCA1	0.99	0.99	0.99
TM8V100C16MP11C	CM48DBCA1	0.99	0.99	0.99
TM8V100C16MP12C	CF/CM/CU48C	0.99	0.99	0.99
TM8V100C16MP12C	CF/CM/CU48D	0.99	0.99	0.99
TM8V100C16MP12C	CF48CBCA1	0.99	0.99	0.99
TM8V100C16MP12C	CM48CBCA1	0.99	0.99	0.99
TM8V100C16MP12C	CM48DBCA1	0.99	0.99	0.99
TM8V100C20MP11C	CF/CM/CU48C	0.99	1.00	0.99
TM8V100C20MP11C	CF/CM/CU48D	0.99	1.00	0.99
TM8V100C20MP11C	CF48CBCA1	0.99	1.00	0.99
TM8V100C20MP11C	CM48CBCA1	0.99	1.00	0.99
TM8V100C20MP11C	CM48DBCA1	0.99	1.00	0.99
TM8V100C20MP12C	CF/CM/CU48C	0.99	1.00	0.99
TM8V100C20MP12C	CF/CM/CU48D	0.99	1.00	0.99
TM8V100C20MP12C	CF48CBCA1	0.99	1.00	0.99
TM8V100C20MP12C	CM48CBCA1	0.99	1.00	0.99
TM8V100C20MP12C	CM48DBCA1	0.99	1.00	0.99
TM8V120C20MP11C	CF/CM/CU48C	0.99	1.00	0.99
TM8V120C20MP11C	CF/CM/CU48D	0.99	1.00	0.99
TM8V120C20MP11C	CF48CBCA1	0.99	1.00	0.99
TM8V120C20MP11C	CM48CBCA1	0.99	1.00	0.99
TM8V120C20MP11C	CM48DBCA1	0.99	1.00	0.99
TM8V120C20MP12C	CF/CM/CU48C	0.99	1.00	0.99
TM8V120C20MP12C	CF/CM/CU48D	0.99	1.00	0.99
TM8V120C20MP12C	CF48CBCA1	0.99	1.00	0.99
TM8V120C20MP12C	CM48CBCA1	0.99	1.00	0.99
TM8V120C20MP12C	CM48DBCA1	0.99	1.00	0.99
TM8X080C16MP11	CF/CM/CU48C	0.99	0.99	0.99
TM8X080C16MP11	CF/CM/CU48D	0.99	0.99	0.99
TM8X080C16MP11	CF48CBCA1	0.99	0.99	0.99
TM8X080C16MP11	CM48CBCA1	0.99	0.99	0.99
TM8X080C16MP11	CM48DBCA1	0.99	0.99	0.99
TM8X100C16MP11	CF/CM/CU48C	0.99	0.99	0.99
TM8X100C16MP11	CF/CM/CU48D	0.99	0.99	0.99
TM8X100C16MP11	CF48CBCA1	0.99	0.99	0.99
TM8X100C16MP11	CM48CBCA1	0.99	0.99	0.99
TM8X100C16MP11	CM48DBCA1	0.99	0.99	0.99
TM8X100C20MP11	CF/CM/CU48C	0.99	1.01	0.98
TM8X100C20MP11	CF/CM/CU48D	0.99	1.02	0.97
TM8X100C20MP11	CF48CBCA1	0.99	1.01	0.98
TM8X100C20MP11	CM48CBCA1	0.99	1.01	0.98
TM8X100C20MP11	CM48DBCA1	0.99	1.02	0.97
TM8X120C20MP11	CF/CM/CU48C	0.99	1.01	0.98
TM8X120C20MP11	CF/CM/CU48D	0.99	1.02	0.97
TM8X120C20MP11	CF48CBCA1	0.99	1.01	0.98
TM8X120C20MP11	CM48CBCA1	0.99	1.01	0.98
TM8X120C20MP11	CM48DBCA1	0.99	1.02	0.97
TM8Y080C16MP11	CF/CM/CU48C	0.99	0.99	0.99
TM8Y080C16MP11	CF/CM/CU48D	0.99	0.99	0.99

FURNACE MULTIPLIERS - 3.5 TON (Continued)

Furnaces	Coil	MBH	COP	KW
TM8Y080C16MP11	CF48CBCA1	0.99	0.99	0.99
TM8Y080C16MP11	CM48CBCA1	0.99	0.99	0.99
TM8Y080C16MP11	CM48DBCA1	0.99	0.99	0.99
TM8Y100C16MP11	CF/CM/CU48C	0.99	0.99	0.99
TM8Y100C16MP11	CF/CM/CU48D	0.99	0.99	0.99
TM8Y100C16MP11	CF48CBCA1	0.99	0.99	0.99
TM8Y100C16MP11	CM48CBCA1	0.99	0.99	0.99
TM8Y100C16MP11	CM48DBCA1	0.99	0.99	0.99
TM8Y100C20MP11	CF/CM/CU48C	0.99	1.01	0.98
TM8Y100C20MP11	CF/CM/CU48D	0.99	1.02	0.97
TM8Y100C20MP11	CF48CBCA1	0.99	1.01	0.98
TM8Y100C20MP11	CM48CBCA1	0.99	1.01	0.98
TM8Y100C20MP11	CM48DBCA1	0.99	1.02	0.97
TM8Y120C20MP11	CF/CM/CU48C	0.99	1.01	0.98
TM8Y120C20MP11	CF/CM/CU48D	0.99	1.02	0.97
TM8Y120C20MP11	CF48CBCA1	0.99	1.01	0.98
TM8Y120C20MP11	CM48CBCA1	0.99	1.01	0.98
TM8Y120C20MP11	CM48DBCA1	0.99	1.02	0.97
TM9E080C16MP11	CF/CM/CU48C	0.99	0.99	1.00
TM9E080C16MP11	CF/CM/CU48D	0.99	0.99	1.00
TM9E080C16MP11	CF48CBCA1	0.99	0.99	1.00
TM9E080C16MP11	CM48CBCA1	0.99	0.99	1.00
TM9E080C16MP11	CM48DBCA1	0.99	0.99	1.00
TM9E080C20MP12	CF/CM/CU48C	1.01	1.09	0.93
TM9E080C20MP12	CF/CM/CU48D	1.01	1.10	0.92
TM9E080C20MP12	CF48CBCA1	1.01	1.09	0.93
TM9E080C20MP12	CM48CBCA1	1.01	1.09	0.93
TM9E080C20MP12	CM48DBCA1	1.01	1.10	0.92
TM9E100C16MP11	CF/CM/CU48C	0.99	0.99	1.00
TM9E100C16MP11	CF/CM/CU48D	0.99	0.99	0.99
TM9E100C16MP11	CF48CBCA1	0.99	0.99	1.00
TM9E100C16MP11	CM48CBCA1	0.99	0.99	1.00
TM9E100C16MP11	CM48DBCA1	0.99	0.99	0.99
TM9E100C16MP12	CF/CM/CU48C	1.01	1.08	0.94
TM9E100C16MP12	CF/CM/CU48D	1.01	1.08	0.94
TM9E100C16MP12	CF48CBCA1	1.01	1.08	0.94
TM9E100C16MP12	CM48CBCA1	1.01	1.08	0.94
TM9E100C16MP12	CM48DBCA1	1.01	1.08	0.94
TM9E100C20MP11	CF/CM/CU48C	0.99	0.99	0.99
TM9E100C20MP11	CF/CM/CU48D	0.99	1.01	0.98
TM9E100C20MP11	CF48CBCA1	0.99	0.99	0.99
TM9E100C20MP11	CM48CBCA1	0.99	0.99	0.99
TM9E100C20MP11	CM48DBCA1	0.99	1.01	0.98
TM9E100C20MP12	CF/CM/CU48C	1.01	1.09	0.93
TM9E100C20MP12	CF/CM/CU48D	1.01	1.09	0.93
TM9E100C20MP12	CF48CBCA1	1.01	1.09	0.93
TM9E100C20MP12	CM48CBCA1	1.01	1.09	0.93
TM9E100C20MP12	CM48DBCA1	1.01	1.09	0.93
TM9E120D20MP11	CF/CM/CU48D	0.99	1.02	0.97
TM9E120D20MP11	CM48DBCA1	0.99	1.02	0.97
TM9E120D20MP12	CF/CM/CU48D	1.01	1.09	0.93
TM9E120D20MP12	CM48DBCA1	1.01	1.09	0.93
TM9V080C16MP11C	CF/CM/CU48C	1.00	0.99	1.01
TM9V080C16MP11C	CF/CM/CU48D	0.99	1.00	0.99
TM9V080C16MP11C	CF48CBCA1	1.00	0.99	1.01
TM9V080C16MP11C	CM48CBCA1	1.00	0.99	1.01

FURNACE MULTIPLIERS - 3.5 TON (Continued)

Furnaces	Coil	MBH	COP	KW
TM9V080C16MP11C	CM48DBCA1	0.99	1.00	0.99
TM9V080C16MP12C	CF/CM/CU48C	1.00	0.99	1.01
TM9V080C16MP12C	CF/CM/CU48D	0.99	1.00	0.99
TM9V080C16MP12C	CF48CBCA1	1.00	0.99	1.01
TM9V080C16MP12C	CM48CBCA1	1.00	0.99	1.01
TM9V080C16MP12C	CM48DBCA1	0.99	1.00	0.99
TM9V100C16MP11C	CF/CM/CU48C	0.99	1.00	0.99
TM9V100C16MP11C	CF/CM/CU48D	0.99	1.00	0.99
TM9V100C16MP11C	CF48CBCA1	0.99	1.00	0.99
TM9V100C16MP11C	CM48CBCA1	0.99	1.00	0.99
TM9V100C16MP11C	CM48DBCA1	0.99	1.00	0.99
TM9V100C16MP12C	CF/CM/CU48C	0.99	1.00	0.99
TM9V100C16MP12C	CF/CM/CU48D	0.99	1.00	0.99
TM9V100C16MP12C	CF48CBCA1	0.99	1.00	0.99
TM9V100C16MP12C	CM48CBCA1	0.99	1.00	0.99
TM9V100C16MP12C	CM48DBCA1	0.99	1.00	0.99
TM9V100C20MP11C	CF/CM/CU48C	0.99	1.01	0.98
TM9V100C20MP11C	CF/CM/CU48D	0.99	1.01	0.98
TM9V100C20MP11C	CF48CBCA1	0.99	1.01	0.98
TM9V100C20MP11C	CM48CBCA1	0.99	1.01	0.98
TM9V100C20MP11C	CM48DBCA1	0.99	1.01	0.98
TM9V100C20MP12C	CF/CM/CU48C	0.99	1.01	0.98
TM9V100C20MP12C	CF/CM/CU48D	0.99	1.01	0.98
TM9V100C20MP12C	CF48CBCA1	0.99	1.01	0.98
TM9V100C20MP12C	CM48CBCA1	0.99	1.01	0.98
TM9V100C20MP12C	CM48DBCA1	0.99	1.01	0.98
TM9V120D20MP11C	CF/CM/CU48D	0.99	1.01	0.98
TM9V120D20MP11C	CM48DBCA1	0.99	1.01	0.98
TM9V120D20MP12C	CF/CM/CU48D	0.99	1.01	0.98
TM9V120D20MP12C	CM48DBCA1	0.99	1.01	0.98
TM9Y080C16MP11	CF/CM/CU48C	0.99	0.99	1.00
TM9Y080C16MP11	CF/CM/CU48D	0.99	0.99	1.00
TM9Y080C16MP11	CF48CBCA1	0.99	0.99	1.00
TM9Y080C16MP11	CM48CBCA1	0.99	0.99	1.00
TM9Y080C16MP11	CM48DBCA1	0.99	0.99	1.00
TM9Y100C16MP11	CF/CM/CU48C	0.99	0.99	1.00
TM9Y100C16MP11	CF/CM/CU48D	0.99	0.99	0.99
TM9Y100C16MP11	CF48CBCA1	0.99	0.99	1.00
TM9Y100C16MP11	CM48CBCA1	0.99	0.99	1.00
TM9Y100C16MP11	CM48DBCA1	0.99	0.99	0.99
TM9Y100C20MP11	CF/CM/CU48C	0.99	0.99	0.99
TM9Y100C20MP11	CF/CM/CU48D	0.99	1.01	0.98
TM9Y100C20MP11	CF48CBCA1	0.99	0.99	0.99
TM9Y100C20MP11	CM48CBCA1	0.99	0.99	0.99
TM9Y100C20MP11	CM48DBCA1	0.99	1.01	0.98
TM9Y100C20MP11	CF48CBCA1	0.99	0.99	0.99
TM9Y100C20MP11	CM48CBCA1	0.99	0.99	0.99
TM9Y120D20MP11	CF/CM/CU48D	0.99	1.02	0.97
TM9Y120D20MP11	CM48DBCA1	0.99	1.02	0.97
TMLE080C16MP11	CF/CM/CU48C	1.01	1.08	0.93
TMLE080C16MP11	CF/CM/CU48D	1.01	1.08	0.93
TMLE080C16MP11	CF48CBCA1	1.01	1.08	0.93
TMLE080C16MP11	CM48CBCA1	1.01	1.08	0.93
TMLE080C16MP11	CM48DBCA1	1.01	1.08	0.93
TMLE080C20MP11	CF/CM/CU48C	1.01	1.09	0.93
TMLE080C20MP11	CF/CM/CU48D	1.01	1.10	0.92
TMLE080C20MP11	CF48CBCA1	1.01	1.09	0.93
TMLE080C20MP11	CM48CBCA1	1.01	1.09	0.93

FURNACE MULTIPLIERS - 3.5 TON (Continued)

Furnaces	Coil	MBH	COP	KW
TMLE080C20MP11	CM48DBCA1	1.01	1.10	0.92
TMLE100C16MP11	CF/CM/CU48C	1.01	1.08	0.93
TMLE100C16MP11	CF/CM/CU48D	1.01	1.08	0.93
TMLE100C16MP11	CF48CBCA1	1.01	1.08	0.93
TMLE100C16MP11	CM48CBCA1	1.01	1.08	0.93
TMLE100C16MP11	CM48DBCA1	1.01	1.08	0.93
TMLE100C20MP11	CF/CM/CU48C	1.01	1.09	0.93
TMLE100C20MP11	CF/CM/CU48D	1.01	1.10	0.92
TMLE100C20MP11	CF48CBCA1	1.01	1.09	0.93
TMLE100C20MP11	CM48CBCA1	1.01	1.09	0.93
TMLE100C20MP11	CM48DBCA1	1.01	1.10	0.92
TMLE120C16MP11	CF/CM/CU48C	1.01	1.08	0.93
TMLE120C16MP11	CF/CM/CU48D	1.01	1.09	0.93
TMLE120C16MP11	CF48CBCA1	1.01	1.08	0.93
TMLE120C16MP11	CM48CBCA1	1.01	1.08	0.93
TMLE120C16MP11	CM48DBCA1	1.01	1.09	0.93
TMLE120C20MP11	CF/CM/CU48C	1.01	1.10	0.92
TMLE120C20MP11	CF/CM/CU48D	1.01	1.10	0.92
TMLE120C20MP11	CF48CBCA1	1.01	1.10	0.92
TMLE120C20MP11	CM48CBCA1	1.01	1.10	0.92
TMLE120C20MP11	CM48DBCA1	1.01	1.10	0.92
TMLE130D20MP11	CF/CM/CU48D	1.00	1.10	0.91
TMLE130D20MP11	CM48DBCA1	1.00	1.10	0.91
TMLV080C16MP11C	CF/CM/CU48C	0.99	0.99	0.99
TMLV080C16MP11C	CF/CM/CU48D	0.99	0.99	0.99
TMLV080C16MP11C	CF48CBCA1	0.99	0.99	0.99
TMLV080C16MP11C	CM48CBCA1	0.99	0.99	0.99
TMLV080C16MP11C	CM48DBCA1	0.99	0.99	0.99
TMLV080C16MP12C	CF/CM/CU48C	0.99	0.99	0.99
TMLV080C16MP12C	CF/CM/CU48D	0.99	0.99	0.99
TMLV080C16MP12C	CF48CBCA1	0.99	0.99	0.99
TMLV080C16MP12C	CM48CBCA1	0.99	0.99	0.99
TMLV080C16MP12C	CM48DBCA1	0.99	0.99	0.99
TMLV100C16MP11C	CF/CM/CU48C	0.99	0.99	0.99
TMLV100C16MP11C	CF/CM/CU48D	0.99	0.99	0.99
TMLV100C16MP11C	CF48CBCA1	0.99	0.99	0.99
TMLV100C16MP11C	CM48CBCA1	0.99	0.99	0.99
TMLV100C16MP11C	CM48DBCA1	0.99	0.99	0.99
TMLV100C16MP12C	CF/CM/CU48C	0.99	0.99	0.99
TMLV100C16MP12C	CF/CM/CU48D	0.99	0.99	0.99
TMLV100C16MP12C	CF48CBCA1	0.99	0.99	0.99
TMLV100C16MP12C	CM48CBCA1	0.99	0.99	0.99
TMLV100C16MP12C	CM48DBCA1	0.99	0.99	0.99
TMLV100C20MP11C	CF/CM/CU48C	0.99	1.00	0.99
TMLV100C20MP11C	CF/CM/CU48D	0.99	1.00	0.99
TMLV100C20MP11C	CF48CBCA1	0.99	1.00	0.99
TMLV100C20MP11C	CM48CBCA1	0.99	1.00	0.99
TMLV100C20MP11C	CM48DBCA1	0.99	1.00	0.99
TMLV100C20MP12C	CF/CM/CU48C	0.99	1.00	0.99
TMLV100C20MP12C	CF/CM/CU48D	0.99	1.00	0.99
TMLV100C20MP12C	CF48CBCA1	0.99	1.00	0.99
TMLV100C20MP12C	CM48CBCA1	0.99	1.00	0.99
TMLV100C20MP12C	CM48DBCA1	0.99	1.00	0.99
TMLV120C20MP11C	CF/CM/CU48C	0.99	1.00	0.99
TMLV120C20MP11C	CF/CM/CU48D	0.99	1.00	0.99
TMLV120C20MP11C	CF48CBCA1	0.99	1.00	0.99

FURNACE MULTIPLIERS - 3.5 TON (Continued)

Furnaces	Coil	MBH	COP	KW
TMLV120C20MP11C	CM48CBCA1	0.99	1.00	0.99
TMLV120C20MP11C	CM48DBCA1	0.99	1.00	0.99
TMLV120C20MP12C	CF/CM/CU48C	0.99	1.00	0.99
TMLV120C20MP12C	CF/CM/CU48D	0.99	1.00	0.99
TMLV120C20MP12C	CF48CBCA1	0.99	1.00	0.99
TMLV120C20MP12C	CM48CBCA1	0.99	1.00	0.99
TMLV120C20MP12C	CM48DBCA1	0.99	1.00	0.99
TMLX080C16MP11	CF/CM/CU48C	0.99	0.99	0.99
TMLX080C16MP11	CF/CM/CU48D	0.99	0.99	0.99
TMLX080C16MP11	CF48CBCA1	0.99	0.99	0.99
TMLX080C16MP11	CM48CBCA1	0.99	0.99	0.99
TMLX080C16MP11	CM48DBCA1	0.99	0.99	0.99
TMLX100C16MP11	CF/CM/CU48C	0.99	0.99	0.99
TMLX100C16MP11	CF/CM/CU48D	0.99	0.99	0.99
TMLX100C16MP11	CF48CBCA1	0.99	0.99	0.99
TMLX100C16MP11	CM48CBCA1	0.99	0.99	0.99
TMLX100C16MP11	CM48DBCA1	0.99	0.99	0.99
TMLX100C20MP11	CF/CM/CU48C	0.99	1.01	0.98
TMLX100C20MP11	CF/CM/CU48D	0.99	1.02	0.97
TMLX100C20MP11	CF48CBCA1	0.99	1.01	0.98
TMLX100C20MP11	CM48CBCA1	0.99	1.01	0.98
TMLX100C20MP11	CM48DBCA1	0.99	1.02	0.97
TMLX120C20MP11	CF/CM/CU48C	0.99	1.01	0.98
TMLX120C20MP11	CF/CM/CU48D	0.99	1.02	0.97
TMLX120C20MP11	CF48CBCA1	0.99	1.01	0.98
TMLX120C20MP11	CM48CBCA1	0.99	1.01	0.98
TMLX120C20MP11	CM48DBCA1	0.99	1.02	0.97
TP9C080C16MP13C	CF/CM/CU48C	1.00	0.99	1.01
TP9C080C16MP13C	CF/CM/CU48D	0.99	1.00	0.99
TP9C080C16MP13C	CF48CBCA1	1.00	0.99	1.01
TP9C080C16MP13C	CM48CBCA1	1.00	0.99	1.01
TP9C080C16MP13C	CM48DBCA1	0.99	1.00	0.99
TP9C100C16MP12C	CF/CM/CU48C	0.99	1.00	0.99
TP9C100C16MP12C	CF/CM/CU48D	0.99	1.00	0.99
TP9C100C16MP12C	CF48CBCA1	0.99	1.00	0.99
TP9C100C16MP12C	CM48CBCA1	0.99	1.00	0.99
TP9C100C16MP12C	CM48DBCA1	0.99	1.00	0.99
TP9C100C16MP13C	CF/CM/CU48C	0.99	1.00	0.99
TP9C100C16MP13C	CF/CM/CU48D	0.99	1.00	0.99
TP9C100C16MP13C	CF48CBCA1	0.99	1.00	0.99
TP9C100C16MP13C	CM48CBCA1	0.99	1.00	0.99
TP9C100C16MP13C	CM48DBCA1	0.99	1.00	0.99
TP9C100C20MP12C	CF/CM/CU48C	0.99	1.01	0.98
TP9C100C20MP12C	CF/CM/CU48D	0.99	1.01	0.98
TP9C100C20MP12C	CF48CBCA1	0.99	1.01	0.98
TP9C100C20MP12C	CM48CBCA1	0.99	1.01	0.98
TP9C100C20MP12C	CM48DBCA1	0.99	1.01	0.98
TP9C100C20MP13C	CF/CM/CU48C	0.99	1.01	0.98
TP9C100C20MP13C	CF/CM/CU48D	0.99	1.01	0.98
TP9C100C20MP13C	CF48CBCA1	0.99	1.01	0.98
TP9C100C20MP13C	CM48CBCA1	0.99	1.01	0.98
TP9C100C20MP13C	CM48DBCA1	0.99	1.01	0.98
TP9C120D20MP12C	CF/CM/CU48D	0.99	1.01	0.98
TP9C120D20MP12C	CM48DBCA1	0.99	1.01	0.98
TP9C120D20MP13C	CF/CM/CU48D	0.99	1.01	0.98
TP9C120D20MP13C	CM48DBCA1	0.99	1.01	0.98

FURNACE MULTIPLIERS - 3.5 TON (Continued)

Furnaces	Coil	MBH	COP	KW
TPLC080C16MP12C	CF/CM/CU48C	0.99	0.99	0.99
TPLC080C16MP12C	CF/CM/CU48D	0.99	0.99	0.99
TPLC080C16MP12C	CF48CBCA1	0.99	0.99	0.99
TPLC080C16MP12C	CM48CBCA1	0.99	0.99	0.99
TPLC080C16MP12C	CM48DBCA1	0.99	0.99	0.99
TPLC080C16MP13C	CF/CM/CU48C	0.99	0.99	0.99
TPLC080C16MP13C	CF/CM/CU48D	0.99	0.99	0.99
TPLC080C16MP13C	CF48CBCA1	0.99	0.99	0.99
TPLC080C16MP13C	CM48CBCA1	0.99	0.99	0.99
TPLC080C16MP13C	CM48DBCA1	0.99	0.99	0.99
TPLC100C16MP12C	CF/CM/CU48C	0.99	0.99	0.99
TPLC100C16MP12C	CF/CM/CU48D	0.99	0.99	0.99
TPLC100C16MP12C	CF48CBCA1	0.99	0.99	0.99
TPLC100C16MP12C	CM48CBCA1	0.99	0.99	0.99
TPLC100C16MP12C	CM48DBCA1	0.99	0.99	0.99
TPLC100C16MP13C	CF/CM/CU48C	0.99	0.99	0.99
TPLC100C16MP13C	CF/CM/CU48D	0.99	0.99	0.99
TPLC100C16MP13C	CF48CBCA1	0.99	0.99	0.99
TPLC100C16MP13C	CM48CBCA1	0.99	0.99	0.99
TPLC100C16MP13C	CM48DBCA1	0.99	0.99	0.99
TPLC100C20MP12C	CF/CM/CU48C	0.99	1.00	0.99
TPLC100C20MP12C	CF/CM/CU48D	0.99	1.00	0.99
TPLC100C20MP12C	CF48CBCA1	0.99	1.00	0.99
TPLC100C20MP12C	CM48CBCA1	0.99	1.00	0.99
TPLC100C20MP12C	CM48DBCA1	0.99	1.00	0.99
TPLC100C20MP13C	CF/CM/CU48C	0.99	1.00	0.99
TPLC100C20MP13C	CF/CM/CU48D	0.99	1.00	0.99
TPLC100C20MP13C	CF48CBCA1	0.99	1.00	0.99
TPLC100C20MP13C	CM48CBCA1	0.99	1.00	0.99
TPLC100C20MP13C	CM48DBCA1	0.99	1.00	0.99
TPLC120C20MP12C	CF/CM/CU48C	0.99	1.00	0.99
TPLC120C20MP12C	CF/CM/CU48D	0.99	1.00	0.99
TPLC120C20MP12C	CF48CBCA1	0.99	1.00	0.99
TPLC120C20MP12C	CM48CBCA1	0.99	1.00	0.99
TPLC120C20MP12C	CM48DBCA1	0.99	1.00	0.99
TPLC120C20MP13C	CF/CM/CU48C	0.99	1.00	0.99
TPLC120C20MP13C	CF/CM/CU48D	0.99	1.00	0.99
TPLC120C20MP13C	CF48CBCA1	0.99	1.00	0.99
TPLC120C20MP13C	CM48CBCA1	0.99	1.00	0.99
TPLC120C20MP13C	CM48DBCA1	0.99	1.00	0.99
YP9C080C16MP13C	CF/CM/CU48C	1.00	0.99	1.01
YP9C080C16MP13C	CF/CM/CU48D	0.99	1.00	0.99
YP9C080C16MP13C	CF48CBCA1	1.00	0.99	1.01
YP9C080C16MP13C	CM48CBCA1	1.00	0.99	1.01
YP9C080C16MP13C	CM48DBCA1	0.99	1.00	0.99
YP9C100C16MP12C	CF/CM/CU48C	0.99	1.00	0.99
YP9C100C16MP12C	CF/CM/CU48D	0.99	1.00	0.99
YP9C100C16MP12C	CF48CBCA1	0.99	1.00	0.99
YP9C100C16MP12C	CM48CBCA1	0.99	1.00	0.99
YP9C100C16MP12C	CM48DBCA1	0.99	1.00	0.99
YP9C100C16MP13C	CF/CM/CU48C	0.99	1.00	0.99
YP9C100C16MP13C	CF/CM/CU48D	0.99	1.00	0.99
YP9C100C16MP13C	CF48CBCA1	0.99	1.00	0.99
YP9C100C16MP13C	CM48CBCA1	0.99	1.00	0.99
YP9C100C16MP13C	CM48DBCA1	0.99	1.00	0.99
YP9C100C20MP12C	CF/CM/CU48C	0.99	1.01	0.98

FURNACE MULTIPLIERS - 3.5 TON (Continued)

Furnaces	Coil	MBH	COP	KW
YP9C100C20MP12C	CF/CM/CU48D	0.99	1.01	0.98
YP9C100C20MP12C	CF48CBCA1	0.99	1.01	0.98
YP9C100C20MP12C	CM48CBCA1	0.99	1.01	0.98
YP9C100C20MP12C	CM48DBCA1	0.99	1.01	0.98
YP9C100C20MP13C	CF/CM/CU48C	0.99	1.01	0.98
YP9C100C20MP13C	CF/CM/CU48D	0.99	1.01	0.98
YP9C100C20MP13C	CF48CBCA1	0.99	1.01	0.98
YP9C100C20MP13C	CM48CBCA1	0.99	1.01	0.98
YP9C100C20MP13C	CM48DBCA1	0.99	1.01	0.98
YP9C120D20MP12C	CF/CM/CU48D	0.99	1.01	0.98
YP9C120D20MP12C	CM48DBCA1	0.99	1.01	0.98
YP9C120D20MP13C	CF/CM/CU48D	0.99	1.01	0.98
YP9C120D20MP13C	CM48DBCA1	0.99	1.01	0.98
YPLC080C16MP12C	CF/CM/CU48C	0.99	0.99	0.99
YPLC080C16MP12C	CF/CM/CU48D	0.99	0.99	0.99
YPLC080C16MP12C	CF48CBCA1	0.99	0.99	0.99
YPLC080C16MP12C	CM48CBCA1	0.99	0.99	0.99
YPLC080C16MP12C	CM48DBCA1	0.99	0.99	0.99
YPLC080C16MP13C	CF/CM/CU48C	0.99	0.99	0.99
YPLC080C16MP13C	CF/CM/CU48D	0.99	0.99	0.99
YPLC080C16MP13C	CF48CBCA1	0.99	0.99	0.99
YPLC080C16MP13C	CM48CBCA1	0.99	0.99	0.99
YPLC080C16MP13C	CM48DBCA1	0.99	0.99	0.99
YPLC100C16MP12C	CF/CM/CU48C	0.99	0.99	0.99
YPLC100C16MP12C	CF/CM/CU48D	0.99	0.99	0.99
YPLC100C16MP12C	CF48CBCA1	0.99	0.99	0.99
YPLC100C16MP12C	CM48CBCA1	0.99	0.99	0.99
YPLC100C16MP12C	CM48DBCA1	0.99	0.99	0.99
YPLC100C16MP13C	CF/CM/CU48C	0.99	0.99	0.99
YPLC100C16MP13C	CF/CM/CU48D	0.99	0.99	0.99
YPLC100C16MP13C	CF48CBCA1	0.99	0.99	0.99
YPLC100C16MP13C	CM48CBCA1	0.99	0.99	0.99
YPLC100C16MP13C	CM48DBCA1	0.99	0.99	0.99
YPLC120C20MP12C	CF/CM/CU48C	0.99	1.00	0.99
YPLC120C20MP12C	CF/CM/CU48D	0.99	1.00	0.99
YPLC120C20MP12C	CF48CBCA1	0.99	1.00	0.99
YPLC120C20MP12C	CM48CBCA1	0.99	1.00	0.99
YPLC120C20MP12C	CM48DBCA1	0.99	1.00	0.99
YPLC120C20MP13C	CF/CM/CU48C	0.99	1.00	0.99
YPLC120C20MP13C	CF/CM/CU48D	0.99	1.00	0.99
YPLC120C20MP13C	CF48CBCA1	0.99	1.00	0.99
YPLC120C20MP13C	CM48CBCA1	0.99	1.00	0.99
YPLC120C20MP13C	CM48DBCA1	0.99	1.00	0.99
YPLC120C20MP13C	CF/CM/CU48C	0.99	1.00	0.99
YPLC120C20MP13C	CF/CM/CU48D	0.99	1.00	0.99
YPLC120C20MP13C	CF48CBCA1	0.99	1.00	0.99
YPLC120C20MP13C	CM48CBCA1	0.99	1.00	0.99
YPLC120C20MP13C	CM48DBCA1	0.99	1.00	0.99

PERFORMANCE DATA - 4 TON

CONDENSER-ONLY DATA (OUTDOOR UNIT)																
MODEL	SATURATED SUCTION @ COMPRESSOR		Outdoor Ambient Temperature													
			65 °F		75 °F		85 °F		95 °F		105 °F		115 °F		125 °F	
	T (°F)	P (PSIG)	MBH	KW	MBH	KW	MBH	KW	MBH	KW	MBH	KW	MBH	KW	MBH	KW
YHE48B22S	35	107	44.4	2.14	41.4	2.33	38.5	2.52	35.5	2.71	32.5	2.90	29.5	3.09	26.5	3.28
	40	119	49.8	2.40	46.5	2.61	43.3	2.83	40.1	3.04	36.9	3.26	33.7	3.47	30.4	3.68
	45	130	55.1	2.66	51.7	2.90	48.2	3.14	44.7	3.38	41.3	3.61	37.8	3.85	34.3	4.09
	50	143	60.5	2.92	56.8	3.18	53.1	3.45	49.3	3.71	45.6	3.97	41.9	4.24	38.2	4.50
	55	156	65.8	3.18	61.9	3.47	57.9	3.76	54.0	4.05	50.0	4.33	46.1	4.62	42.1	4.91

Notes:

- For Outdoor Unit (Condenser) performance only. Data does not include the effects of air handler power or heat.
- Performance based on 15°F subcooling and 15°F superheat at the Outdoor Unit base valves.
 - Increase capacity by 1% for each 2°F increase in subcooling.
 - Decrease capacity by 1% for each 2°F decrease in subcooling.
- Maximum recommended condensing temperature is 140°F.

COOLING PERFORMANCE DATA																	
AIR CONDITIONER MODEL NO.		YHE48B22S															
AIR TEMP. ENTERING OUTDOOR UNIT (°F)	IDCFM	1400					1600					1800					
		ID DB (°F)	80	80	75	80	80	80	80	75	80	80	80	80	75	80	80
		ID WB (°F)	57	62	62	67	72	57	62	62	67	72	57	62	62	67	72
65	T.C.	44.6	47.8	47.9	52.0	55.4	45.7	48.1	48.2	52.1	55.2	48.2	49.9	49.9	53.7	56.7	
	S.C.	43.1	40.5	34.5	33.6	25.7	44.8	43.1	36.6	35.1	26.6	46.6	45.8	38.7	36.8	27.5	
	KW	2.95	2.98	2.97	2.99	3.01	3.06	3.07	3.06	3.09	3.10	3.12	3.13	3.12	3.14	3.16	
75	T.C.	43.2	45.9	46.2	50.8	56.2	44.4	46.4	46.5	51.1	56.4	47.0	48.2	48.2	53.0	58.3	
	S.C.	41.7	39.7	33.7	33.8	26.5	43.4	42.5	36.0	35.6	27.8	45.2	45.3	38.3	37.5	29.2	
	KW	3.22	3.25	3.23	3.26	3.27	3.32	3.34	3.32	3.36	3.37	3.38	3.40	3.38	3.41	3.43	
85	T.C.	41.5	43.8	44.0	48.5	54.0	42.6	44.3	44.2	48.7	54.2	45.1	46.1	45.8	50.4	56.0	
	S.C.	39.9	38.5	32.7	32.8	25.7	41.5	41.2	34.9	34.8	27.0	43.3	44.0	37.2	36.9	28.4	
	KW	3.57	3.59	3.57	3.60	3.62	3.68	3.69	3.68	3.71	3.72	3.74	3.75	3.73	3.76	3.77	
95	T.C.	39.7	41.7	41.7	46.1	51.8	40.8	42.2	42.0	46.3	51.9	43.2	43.9	43.5	47.8	53.6	
	S.C.	38.1	37.3	31.6	31.8	24.8	39.7	39.9	33.7	34.0	26.2	41.3	42.6	36.0	36.2	27.5	
	KW	3.93	3.93	3.92	3.95	3.96	4.04	4.04	4.03	4.06	4.07	4.09	4.10	4.08	4.11	4.12	
105	T.C.	38.0	39.3	39.2	43.5	48.7	39.0	39.9	39.5	43.6	48.9	41.2	41.7	40.9	45.1	50.5	
	S.C.	36.5	36.4	30.6	31.0	23.9	37.9	38.5	32.8	33.1	25.3	39.5	40.7	35.1	35.3	26.8	
	KW	4.43	4.42	4.42	4.45	4.45	4.54	4.54	4.53	4.55	4.56	4.58	4.59	4.57	4.60	4.61	
115	T.C.	36.3	36.9	36.7	40.9	45.7	37.2	37.6	37.0	41.0	45.8	39.2	39.4	38.3	42.4	47.3	
	S.C.	34.9	35.4	29.6	30.2	23.0	36.2	37.1	31.8	32.3	24.5	37.6	38.9	34.1	34.5	26.0	
	KW	4.93	4.91	4.91	4.94	4.95	5.03	5.03	5.02	5.05	5.06	5.07	5.08	5.06	5.09	5.10	
125	T.C.	34.6	34.5	34.2	38.3	42.6	35.4	35.3	34.5	38.4	42.8	37.2	37.1	35.7	39.6	44.2	
	S.C.	33.3	34.5	28.6	29.4	22.1	34.5	35.7	30.9	31.5	23.6	35.8	37.0	33.2	33.7	25.2	
	KW	5.43	5.40	5.41	5.43	5.44	5.53	5.52	5.51	5.54	5.56	5.56	5.57	5.55	5.58	5.59	

NOTE: ALL CAPACITIES INCLUDE INDOOR FAN HEAT. KW VALUES ARE FOR THE SYSTEM (OUTDOOR + INDOOR).

Green shaded cells are ACCA (TVA) conditions.

Blue shaded cells are AHRI conditions.

Multipliers for determining the performance with other indoor sections.

NOTE: For dry bulb temperatures different than those listed (between 73-87 °F), sensible capacity increases by 1060 BTUH per 1000 CFM per degree above the listed temperature and decreases by 1060 BTUH per 1000 CFM per degree below the listed temperature.

COIL MULTIPLIERS - 4 TON

Air Handler	Coil	T.C.	S.C.	KW
-	CF/CM/CU60C	1.00	0.99	1.04
-	CF/CM/CU60D	1.00	0.99	1.04
AE48CBC21	-	0.98	0.95	1.02
AE48CX21	-	0.98	0.95	1.02
AE48DBC21	-	0.99	0.96	1.01
AE48DX21	-	0.99	0.96	1.01
AVC48CX21	-	0.98	0.95	1.02
AVC48DX21	-	0.99	0.95	1.01
AVC60CX21	-	0.99	0.95	0.99
ME14DN21	CF/CM48D	0.99	0.96	1.01
ME14DN21	CF/CM60D	0.99	0.96	1.03
ME14DN21	CM48DBCA1	0.99	0.96	1.01
ME16CN21	CF/CM48C	0.98	0.95	1.02
ME16CN21	CF/CM60C	1.00	0.97	1.02
ME16CN21	CF48CBCA1	0.98	0.95	1.02
ME16CN21	CM48CBCA1	0.98	0.95	1.02
ME20DN21	CF/CM48D	0.99	0.95	1.03
ME20DN21	CF/CM60D	1.00	0.97	1.02
ME20DN21	CM48DBCA1	0.99	0.95	1.03
MVC16CN21	CF/CM48C	0.98	0.95	1.02
MVC16CN21	CF48CBCA1	0.98	0.95	1.02
MVC16CN21	CM48CBCA1	0.98	0.95	1.02
MVC20DN21	CF/CM48D	0.99	0.96	1.01
MVC20DN21	CF/CM60D	1.01	1.00	1.01
MVC20DN21	CM48DBCA1	0.99	0.96	1.01

FURNACE MULTIPLIERS - 4 TON

Furnaces	Coil	T.C.	S.C.	KW
TL8E080C16UH11	CF/CM/CU48C	0.98	1.00	1.04
TL8E080C16UH11	CF/CM/CU48D	0.98	1.00	1.02
TL8E080C16UH11	CF/CM/CU60C	0.99	0.98	1.03
TL8E080C16UH11	CF/CM/CU60D	0.99	0.98	1.03
TL8E080C16UH11	CF48CBCA1	0.98	1.00	1.04
TL8E080C16UH11	CM48CBCA1	0.98	1.00	1.04
TL8E080C16UH11	CM48DBCA1	0.98	1.00	1.02
TL8E100C20UH11	CF/CM/CU48C	0.99	1.01	1.03
TL8E100C20UH11	CF/CM/CU48D	0.99	1.02	1.01
TL8E100C20UH11	CF/CM/CU60C	0.99	0.98	1.01
TL8E100C20UH11	CF/CM/CU60D	1.00	1.00	1.02
TL8E100C20UH11	CF48CBCA1	0.99	1.01	1.03
TL8E100C20UH11	CM48CBCA1	0.99	1.01	1.03
TL8E100C20UH11	CM48DBCA1	0.99	1.02	1.01
TL9E080C16UH11	CF/CM/CU48C	0.98	1.00	1.06
TL9E080C16UH11	CF/CM/CU48D	0.98	1.00	1.06
TL9E080C16UH11	CF/CM/CU60C	0.99	0.98	1.08
TL9E080C16UH11	CF/CM/CU60D	0.99	0.99	1.03
TL9E080C16UH11	CF48CBCA1	0.98	1.00	1.06
TL9E080C16UH11	CM48CBCA1	0.98	1.00	1.06
TL9E080C16UH11	CM48DBCA1	0.98	1.00	1.06
TL9E100C20UH11	CF/CM/CU48C	0.98	1.00	1.02
TL9E100C20UH11	CF/CM/CU48D	0.99	1.02	1.03
TL9E100C20UH11	CF/CM/CU60C	0.99	0.98	1.01
TL9E100C20UH11	CF/CM/CU60D	0.99	0.99	1.01
TL9E100C20UH11	CF48CBCA1	0.98	1.00	1.02
TL9E100C20UH11	CM48CBCA1	0.98	1.00	1.02

FURNACE MULTIPLIERS - 4 TON (Continued)

Furnaces	Coil	T.C.	S.C.	KW
TL9E100C20UH11	CM48DBCA1	0.99	1.02	1.03
TM8E080C16MP11	CF/CM/CU60C	1.00	1.03	1.09
TM8E080C16MP11	CF/CM/CU60D	1.00	1.04	1.09
TM8E080C20MP11	CF/CM/CU48C	0.99	1.02	1.03
TM8E080C20MP11	CF/CM/CU48D	0.99	1.03	1.03
TM8E080C20MP11	CF/CM/CU60C	0.99	0.99	1.01
TM8E080C20MP11	CF/CM/CU60D	1.00	1.01	1.02
TM8E080C20MP11	CF48CBCA1	0.99	1.02	1.03
TM8E080C20MP11	CM48CBCA1	0.99	1.02	1.03
TM8E080C20MP11	CM48DBCA1	0.99	1.03	1.03
TM8E100C16MP11	CF/CM/CU60C	1.00	1.03	1.09
TM8E100C16MP11	CF/CM/CU60D	1.00	1.04	1.09
TM8E100C20MP11	CF/CM/CU48C	0.99	1.02	1.03
TM8E100C20MP11	CF/CM/CU48D	0.99	1.02	1.03
TM8E100C20MP11	CF/CM/CU60C	0.99	0.99	1.01
TM8E100C20MP11	CF/CM/CU60D	1.00	1.01	1.02
TM8E100C20MP11	CF48CBCA1	0.99	1.02	1.03
TM8E100C20MP11	CM48CBCA1	0.99	1.02	1.03
TM8E100C20MP11	CM48DBCA1	0.99	1.02	1.03
TM8E120C16MP11	CF/CM/CU48D	0.99	1.05	1.08
TM8E120C16MP11	CF/CM/CU60C	1.00	1.03	1.09
TM8E120C16MP11	CF/CM/CU60D	1.00	1.04	1.09
TM8E120C16MP11	CM48DBCA1	0.99	1.05	1.08
TM8E120C20MP11	CF/CM/CU48C	0.99	1.02	1.03
TM8E120C20MP11	CF/CM/CU48D	0.99	1.02	1.03
TM8E120C20MP11	CF/CM/CU60C	0.99	0.99	1.01
TM8E120C20MP11	CF/CM/CU60D	1.00	1.01	1.02
TM8E120C20MP11	CF48CBCA1	0.99	1.02	1.03
TM8E120C20MP11	CM48CBCA1	0.99	1.02	1.03
TM8E120C20MP11	CM48DBCA1	0.99	1.02	1.03
TM8E120C20MP11	CM48DBCA1	0.99	1.02	1.03
TM8E120C20MP11	CF/CM/CU48D	0.99	1.05	1.08
TM8E120C20MP11	CF/CM/CU60C	1.00	1.03	1.09
TM8E120C20MP11	CF/CM/CU60D	1.00	1.04	1.09
TM8E120C20MP11	CM48DBCA1	0.99	1.05	1.08
TM8E120C20MP11	CF/CM/CU48C	0.99	1.02	1.03
TM8E120C20MP11	CF/CM/CU48D	0.99	1.02	1.03
TM8E120C20MP11	CF/CM/CU60C	0.99	0.99	1.01
TM8E120C20MP11	CF/CM/CU60D	1.00	1.01	1.02
TM8E120C20MP11	CF48CBCA1	0.99	1.02	1.03
TM8E120C20MP11	CM48CBCA1	0.99	1.02	1.03
TM8E120C20MP11	CM48DBCA1	0.99	1.02	1.03
TM8E130D20MP11	CF/CM/CU48D	0.99	1.02	1.01
TM8E130D20MP11	CF/CM/CU60D	1.00	1.01	1.02
TM8E130D20MP11	CM48DBCA1	0.99	1.02	1.01
TM8V080C16MP11C	CF/CM/CU48C	0.97	0.92	1.03
TM8V080C16MP11C	CF/CM/CU48D	0.97	0.92	1.03
TM8V080C16MP11C	CF/CM/CU60C	0.99	0.94	1.03
TM8V080C16MP11C	CF48CBCA1	0.97	0.92	1.03
TM8V080C16MP11C	CM48CBCA1	0.97	0.92	1.03
TM8V080C16MP11C	CM48DBCA1	0.97	0.92	1.03
TM8V080C16MP12C	CF/CM/CU48C	0.97	0.92	1.03
TM8V080C16MP12C	CF/CM/CU48D	0.97	0.92	1.03
TM8V080C16MP12C	CF/CM/CU60C	0.99	0.94	1.03
TM8V080C16MP12C	CF48CBCA1	0.97	0.92	1.03
TM8V080C16MP12C	CM48CBCA1	0.97	0.92	1.03
TM8V080C16MP12C	CM48DBCA1	0.97	0.92	1.03
TM8V100C16MP11C	CF/CM/CU48C	0.97	0.92	1.03
TM8V100C16MP11C	CF/CM/CU48D	0.97	0.92	1.03
TM8V100C16MP11C	CF/CM/CU60C	0.99	0.94	1.03
TM8V100C16MP11C	CF48CBCA1	0.97	0.92	1.03
TM8V100C16MP11C	CM48CBCA1	0.97	0.92	1.03
TM8V100C16MP11C	CM48DBCA1	0.97	0.92	1.03
TM8V100C16MP12C	CF/CM/CU48C	0.97	0.92	1.03
TM8V100C16MP12C	CF/CM/CU48D	0.97	0.92	1.03
TM8V100C16MP12C	CF/CM/CU60C	0.99	0.94	1.03
TM8V100C16MP12C	CF48CBCA1	0.97	0.92	1.03

FURNACE MULTIPLIERS - 4 TON (Continued)

Furnaces	Coil	T.C.	S.C.	KW
TM8V100C16MP12C	CM48CBCA1	0.97	0.92	1.03
TM8V100C16MP12C	CM48DBCA1	0.97	0.92	1.03
TM8V100C20MP11C	CF/CM/CU48C	0.97	0.92	1.03
TM8V100C20MP11C	CF/CM/CU60C	0.99	0.96	1.03
TM8V100C20MP11C	CF/CM/CU60D	0.99	0.96	1.03
TM8V100C20MP11C	CF48CBCA1	0.97	0.92	1.03
TM8V100C20MP11C	CM48CBCA1	0.97	0.92	1.03
TM8V100C20MP12C	CF/CM/CU48C	0.97	0.92	1.03
TM8V100C20MP12C	CF/CM/CU60C	0.99	0.96	1.03
TM8V100C20MP12C	CF/CM/CU60D	0.99	0.96	1.03
TM8V100C20MP12C	CF48CBCA1	0.97	0.92	1.03
TM8V100C20MP12C	CM48CBCA1	0.97	0.92	1.03
TM8V120C20MP11C	CF/CM/CU48C	0.97	0.92	1.03
TM8V120C20MP11C	CF/CM/CU60C	0.99	0.96	1.03
TM8V120C20MP11C	CF/CM/CU60D	0.99	0.96	1.03
TM8V120C20MP11C	CF48CBCA1	0.97	0.92	1.03
TM8V120C20MP11C	CM48CBCA1	0.97	0.92	1.03
TM8V120C20MP12C	CF/CM/CU48C	0.97	0.92	1.03
TM8V120C20MP12C	CF/CM/CU60C	0.99	0.96	1.03
TM8V120C20MP12C	CF/CM/CU60D	0.99	0.96	1.03
TM8V120C20MP12C	CF48CBCA1	0.97	0.92	1.03
TM8V120C20MP12C	CM48CBCA1	0.97	0.92	1.03
TM8X080C16MP11	CF/CM/CU48C	0.98	0.95	1.04
TM8X080C16MP11	CF/CM/CU48D	0.98	0.95	1.04
TM8X080C16MP11	CF/CM/CU60C	0.99	0.96	1.03
TM8X080C16MP11	CF/CM/CU60D	0.99	0.96	1.03
TM8X080C16MP11	CF48CBCA1	0.98	0.95	1.04
TM8X080C16MP11	CM48CBCA1	0.98	0.95	1.04
TM8X080C16MP11	CM48DBCA1	0.98	0.95	1.04
TM8X100C16MP11	CF/CM/CU48C	0.98	0.95	1.04
TM8X100C16MP11	CF/CM/CU48D	0.98	0.95	1.04
TM8X100C16MP11	CF/CM/CU60C	0.99	0.96	1.03
TM8X100C16MP11	CF/CM/CU60D	0.99	0.96	1.03
TM8X100C16MP11	CF48CBCA1	0.98	0.95	1.04
TM8X100C16MP11	CM48CBCA1	0.98	0.95	1.04
TM8X100C16MP11	CM48DBCA1	0.98	0.95	1.04
TM8X100C20MP11	CF/CM/CU48C	0.98	0.95	1.04
TM8X100C20MP11	CF/CM/CU48D	0.98	0.95	1.04
TM8X100C20MP11	CF/CM/CU60C	0.99	0.96	1.03
TM8X100C20MP11	CF/CM/CU60D	0.99	0.96	1.03
TM8X100C20MP11	CF48CBCA1	0.98	0.95	1.04
TM8X100C20MP11	CM48CBCA1	0.98	0.95	1.04
TM8X100C20MP11	CM48DBCA1	0.98	0.95	1.04
TM8X100C20MP11	CF/CM/CU48C	0.98	0.95	1.04
TM8X100C20MP11	CF/CM/CU48D	0.98	0.95	1.04
TM8X100C20MP11	CF/CM/CU60C	0.99	0.96	1.03
TM8X100C20MP11	CF/CM/CU60D	0.99	0.96	1.03
TM8X100C20MP11	CF48CBCA1	0.98	0.95	1.04
TM8X100C20MP11	CM48CBCA1	0.98	0.95	1.04
TM8X100C20MP11	CM48DBCA1	0.98	0.95	1.04
TM8X120C20MP11	CF/CM/CU48C	0.98	0.95	1.04
TM8X120C20MP11	CF/CM/CU48D	0.98	0.95	1.04
TM8X120C20MP11	CF/CM/CU60C	0.99	0.96	1.03
TM8X120C20MP11	CF/CM/CU60D	0.99	0.96	1.03
TM8X120C20MP11	CF48CBCA1	0.98	0.95	1.04
TM8X120C20MP11	CM48CBCA1	0.98	0.95	1.04
TM8X120C20MP11	CM48DBCA1	0.98	0.95	1.04
TM8Y080C16MP11	CF/CM/CU48C	0.98	0.95	1.04
TM8Y080C16MP11	CF/CM/CU48D	0.98	0.95	1.04
TM8Y080C16MP11	CF/CM/CU60C	0.99	0.96	1.03
TM8Y080C16MP11	CF/CM/CU60D	0.99	0.96	1.03
TM8Y080C16MP11	CF48CBCA1	0.98	0.95	1.04

FURNACE MULTIPLIERS - 4 TON (Continued)

Furnaces	Coil	T.C.	S.C.	KW
TM8Y080C16MP11	CM48CBCA1	0.98	0.95	1.04
TM8Y080C16MP11	CM48DBCA1	0.98	0.95	1.04
TM8Y100C16MP11	CF/CM/CU48C	0.98	0.95	1.04
TM8Y100C16MP11	CF/CM/CU48D	0.98	0.95	1.04
TM8Y100C16MP11	CF/CM/CU60C	0.99	0.96	1.03
TM8Y100C16MP11	CF/CM/CU60D	0.99	0.96	1.03
TM8Y100C16MP11	CF48CBCA1	0.98	0.95	1.04
TM8Y100C16MP11	CM48CBCA1	0.98	0.95	1.04
TM8Y100C16MP11	CM48DBCA1	0.98	0.95	1.04
TM8Y100C20MP11	CF/CM/CU48C	0.98	0.95	1.04
TM8Y100C20MP11	CF/CM/CU48D	0.98	0.95	1.04
TM8Y100C20MP11	CF/CM/CU60C	0.99	0.96	1.03
TM8Y100C20MP11	CF/CM/CU60D	0.99	0.96	1.03
TM8Y100C20MP11	CF48CBCA1	0.98	0.95	1.04
TM8Y100C20MP11	CM48CBCA1	0.98	0.95	1.04
TM8Y100C20MP11	CM48DBCA1	0.98	0.95	1.04
TM8Y120C20MP11	CF/CM/CU48C	0.98	0.95	1.04
TM8Y120C20MP11	CF/CM/CU48D	0.98	0.95	1.04
TM8Y120C20MP11	CF/CM/CU60C	0.99	0.96	1.03
TM8Y120C20MP11	CF/CM/CU60D	0.99	0.96	1.03
TM8Y120C20MP11	CF48CBCA1	0.98	0.95	1.04
TM8Y120C20MP11	CM48CBCA1	0.98	0.95	1.04
TM8Y120C20MP11	CM48DBCA1	0.98	0.95	1.04
TM9E080C20MP12	CF/CM/CU48C	0.98	1.00	1.02
TM9E080C20MP12	CF/CM/CU48D	0.99	1.02	1.03
TM9E080C20MP12	CF/CM/CU60C	0.99	0.98	1.01
TM9E080C20MP12	CF/CM/CU60D	0.99	0.99	1.01
TM9E080C20MP12	CF48CBCA1	0.98	1.00	1.02
TM9E080C20MP12	CM48CBCA1	0.98	1.00	1.02
TM9E080C20MP12	CM48DBCA1	0.99	1.02	1.03
TM9E100C16MP11	CF/CM/CU48C	0.97	0.92	1.03
TM9E100C16MP11	CF/CM/CU60C	0.98	0.93	1.04
TM9E100C16MP11	CF/CM/CU60D	0.98	0.93	1.04
TM9E100C16MP11	CF48CBCA1	0.97	0.92	1.03
TM9E100C16MP11	CM48CBCA1	0.97	0.92	1.03
TM9E100C20MP11	CF/CM/CU48C	0.98	0.95	1.04
TM9E100C20MP11	CF/CM/CU48D	0.98	0.95	1.04
TM9E100C20MP11	CF/CM/CU60C	0.99	0.96	1.03
TM9E100C20MP11	CF/CM/CU60D	0.99	0.96	1.03
TM9E100C20MP11	CF48CBCA1	0.98	0.95	1.04
TM9E100C20MP11	CM48CBCA1	0.98	0.95	1.04
TM9E100C20MP11	CM48DBCA1	0.98	0.95	1.04
TM9E100C20MP12	CF/CM/CU48C	0.98	1.00	1.02
TM9E100C20MP12	CF/CM/CU48D	0.99	1.02	1.01
TM9E100C20MP12	CF/CM/CU60C	0.99	0.98	1.01
TM9E100C20MP12	CF/CM/CU60D	0.99	0.99	1.01
TM9E100C20MP12	CF48CBCA1	0.98	1.00	1.02
TM9E100C20MP12	CM48CBCA1	0.98	1.00	1.02
TM9E100C20MP12	CM48DBCA1	0.99	1.02	1.01
TM9E120D20MP11	CF/CM/CU48D	0.98	0.95	1.04
TM9E120D20MP11	CF/CM/CU60D	1.00	0.97	1.04
TM9E120D20MP11	CM48DBCA1	0.98	0.95	1.04
TM9E120D20MP12	CF/CM/CU48D	0.99	1.02	1.03
TM9E120D20MP12	CF/CM/CU60D	0.99	0.99	1.01
TM9E120D20MP12	CM48DBCA1	0.99	1.02	1.03

FURNACE MULTIPLIERS - 4 TON (Continued)

Furnaces	Coil	T.C.	S.C.	KW
TM9V080C16MP11C	CF/CM/CU48C	0.98	0.95	1.04
TM9V080C16MP11C	CF/CM/CU48D	0.98	0.95	1.02
TM9V080C16MP11C	CF/CM/CU60C	0.99	0.96	1.05
TM9V080C16MP11C	CF48BCBA1	0.98	0.95	1.04
TM9V100C16MP11C	CF/CM/CU48C	0.98	0.95	1.04
TM9V100C16MP11C	CF/CM/CU48D	0.98	0.95	1.02
TM9V100C16MP11C	CF/CM/CU60C	0.99	0.96	1.05
TM9V100C16MP11C	CF48BCBA1	0.98	0.95	1.04
TM9V100C16MP11C	CM48CBCA1	0.98	0.95	1.04
TM9V100C16MP11C	CM48DBCA1	0.98	0.95	1.02
TM9V100C16MP12C	CF/CM/CU48C	0.98	0.95	1.04
TM9V100C16MP12C	CF/CM/CU48D	0.98	0.95	1.02
TM9V100C16MP12C	CF/CM/CU60C	0.99	0.96	1.05
TM9V100C16MP12C	CF48BCBA1	0.98	0.95	1.04
TM9V100C16MP12C	CM48CBCA1	0.98	0.95	1.04
TM9V100C16MP12C	CM48DBCA1	0.98	0.95	1.02
TM9V100C20MP11C	CF/CM/CU48C	0.97	0.91	1.03
TM9V100C20MP11C	CF/CM/CU48D	0.97	0.92	1.03
TM9V100C20MP11C	CF/CM/CU60C	0.99	0.95	1.05
TM9V100C20MP11C	CF48BCBA1	0.97	0.91	1.03
TM9V100C20MP11C	CM48CBCA1	0.97	0.91	1.03
TM9V100C20MP11C	CM48DBCA1	0.97	0.92	1.03
TM9V100C20MP12C	CF/CM/CU48C	0.97	0.91	1.03
TM9V100C20MP12C	CF/CM/CU48D	0.97	0.92	1.03
TM9V100C20MP12C	CF/CM/CU60C	0.99	0.95	1.05
TM9V100C20MP12C	CF48BCBA1	0.97	0.91	1.03
TM9V100C20MP12C	CM48CBCA1	0.97	0.91	1.03
TM9V100C20MP12C	CM48DBCA1	0.97	0.92	1.03
TM9V120D20MP11C	CF/CM/CU60D	0.99	0.97	1.03
TM9V120D20MP12C	CF/CM/CU60D	0.99	0.97	1.03
TM9Y100C16MP11	CF/CM/CU48C	0.97	0.92	1.03
TM9Y100C16MP11	CF/CM/CU60C	0.98	0.93	1.04
TM9Y100C16MP11	CF/CM/CU60D	0.98	0.93	1.04
TM9Y100C16MP11	CF48BCBA1	0.97	0.92	1.03
TM9Y100C16MP11	CM48CBCA1	0.97	0.92	1.03
TM9Y100C20MP11	CF/CM/CU48C	0.98	0.95	1.04
TM9Y100C20MP11	CF/CM/CU48D	0.98	0.95	1.04
TM9Y100C20MP11	CF/CM/CU60C	0.99	0.96	1.03
TM9Y100C20MP11	CF/CM/CU60D	0.99	0.96	1.03
TM9Y100C20MP11	CF48BCBA1	0.98	0.95	1.04
TM9Y100C20MP11	CM48CBCA1	0.98	0.95	1.04
TM9Y100C20MP11	CM48DBCA1	0.98	0.95	1.04
TM9Y120D20MP11	CF/CM/CU48D	0.98	0.95	1.04
TM9Y120D20MP11	CF/CM/CU60D	1.00	0.97	1.04
TM9Y120D20MP11	CM48DBCA1	0.98	0.95	1.04
TMLE080C16MP11	CF/CM/CU60C	1.00	1.03	1.09
TMLE080C16MP11	CF/CM/CU60D	1.00	1.04	1.09
TMLE080C20MP11	CF/CM/CU48C	0.99	1.02	1.03
TMLE080C20MP11	CF/CM/CU48D	0.99	1.03	1.03
TMLE080C20MP11	CF/CM/CU60C	0.99	0.99	1.01
TMLE080C20MP11	CF/CM/CU60D	1.00	1.01	1.02
TMLE080C20MP11	CF48BCBA1	0.99	1.02	1.03
TMLE080C20MP11	CM48CBCA1	0.99	1.02	1.03
TMLE080C20MP11	CM48DBCA1	0.99	1.03	1.03
TMLE100C16MP11	CF/CM/CU60C	1.00	1.03	1.09

FURNACE MULTIPLIERS - 4 TON (Continued)

Furnaces	Coil	T.C.	S.C.	KW
TMLE100C16MP11	CF/CM/CU60D	1.00	1.04	1.09
TMLE100C20MP11	CF/CM/CU48C	0.99	1.02	1.03
TMLE100C20MP11	CF/CM/CU48D	0.99	1.02	1.03
TMLE100C20MP11	CF/CM/CU60C	0.99	0.99	1.01
TMLE100C20MP11	CF/CM/CU60D	1.00	1.01	1.02
TMLE100C20MP11	CF48BCBA1	0.99	1.02	1.03
TMLE100C20MP11	CM48CBCA1	0.99	1.02	1.03
TMLE100C20MP11	CM48DBCA1	0.99	1.02	1.03
TMLE120C16MP11	CF/CM/CU48D	0.99	1.05	1.08
TMLE120C16MP11	CF/CM/CU60C	1.00	1.03	1.09
TMLE120C16MP11	CF/CM/CU60D	1.00	1.04	1.09
TMLE120C16MP11	CM48DBCA1	0.99	1.05	1.08
TMLE120C20MP11	CF/CM/CU48C	0.99	1.02	1.03
TMLE120C20MP11	CF/CM/CU48D	0.99	1.02	1.03
TMLE120C20MP11	CF/CM/CU60C	0.99	0.99	1.01
TMLE120C20MP11	CF/CM/CU60D	1.00	1.01	1.02
TMLE120C20MP11	CF48BCBA1	0.99	1.02	1.03
TMLE120C20MP11	CM48CBCA1	0.99	1.02	1.03
TMLE120C20MP11	CM48DBCA1	0.99	1.02	1.03
TMLE130D20MP11	CF/CM/CU48D	0.99	1.02	1.01
TMLE130D20MP11	CF/CM/CU60D	1.00	1.01	1.02
TMLE130D20MP11	CM48DBCA1	0.99	1.02	1.01
TMLV080C16MP11C	CF/CM/CU48C	0.97	0.92	1.03
TMLV080C16MP11C	CF/CM/CU48D	0.97	0.92	1.03
TMLV080C16MP11C	CF/CM/CU60C	0.99	0.94	1.03
TMLV080C16MP11C	CF48BCBA1	0.97	0.92	1.03
TMLV080C16MP11C	CM48CBCA1	0.97	0.92	1.03
TMLV080C16MP11C	CM48DBCA1	0.97	0.92	1.03
TMLV080C16MP12C	CF/CM/CU48C	0.97	0.92	1.03
TMLV080C16MP12C	CF/CM/CU48D	0.97	0.92	1.03
TMLV080C16MP12C	CF/CM/CU60C	0.99	0.94	1.03
TMLV080C16MP12C	CF48BCBA1	0.97	0.92	1.03
TMLV080C16MP12C	CM48CBCA1	0.97	0.92	1.03
TMLV080C16MP12C	CM48DBCA1	0.97	0.92	1.03
TMLV100C16MP11C	CF/CM/CU48C	0.97	0.92	1.03
TMLV100C16MP11C	CF/CM/CU48D	0.97	0.92	1.03
TMLV100C16MP11C	CF/CM/CU60C	0.99	0.94	1.03
TMLV100C16MP11C	CF48BCBA1	0.97	0.92	1.03
TMLV100C16MP11C	CM48CBCA1	0.97	0.92	1.03
TMLV100C16MP11C	CM48DBCA1	0.97	0.92	1.03
TMLV100C16MP12C	CF/CM/CU48C	0.97	0.92	1.03
TMLV100C16MP12C	CF/CM/CU48D	0.97	0.92	1.03
TMLV100C16MP12C	CF/CM/CU60C	0.99	0.94	1.03
TMLV100C16MP12C	CF48BCBA1	0.97	0.92	1.03
TMLV100C16MP12C	CM48CBCA1	0.97	0.92	1.03
TMLV100C16MP12C	CM48DBCA1	0.97	0.92	1.03
TMLV100C20MP11C	CF/CM/CU48C	0.97	0.92	1.03
TMLV100C20MP11C	CF/CM/CU60C	0.99	0.96	1.03
TMLV100C20MP11C	CF/CM/CU60D	0.99	0.96	1.03
TMLV100C20MP11C	CF48BCBA1	0.97	0.92	1.03
TMLV100C20MP11C	CM48CBCA1	0.97	0.92	1.03
TMLV100C20MP12C	CF/CM/CU48C	0.97	0.92	1.03
TMLV100C20MP12C	CF/CM/CU60C	0.99	0.96	1.03
TMLV100C20MP12C	CF/CM/CU60D	0.99	0.96	1.03
TMLV100C20MP12C	CF48BCBA1	0.97	0.92	1.03

FURNACE MULTIPLIERS - 4 TON (Continued)

Furnaces	Coil	T.C.	S.C.	KW
TPLC120C20MP13C	CF/CM/CU60D	0.99	0.96	1.03
TPLC120C20MP13C	CF48CBCA1	0.97	0.92	1.03
TPLC120C20MP13C	CM48CBCA1	0.97	0.92	1.03
YP9C080C16MP12C	CF/CM/CU48C	0.98	0.95	1.04
YP9C080C16MP12C	CF/CM/CU48D	0.98	0.95	1.02
YP9C080C16MP12C	CF/CM/CU60C	0.99	0.96	1.05
YP9C080C16MP12C	CF48CBCA1	0.98	0.95	1.04
YP9C100C16MP12C	CF/CM/CU48C	0.98	0.95	1.04
YP9C100C16MP12C	CF/CM/CU48D	0.98	0.95	1.02
YP9C100C16MP12C	CF/CM/CU60C	0.99	0.96	1.05
YP9C100C16MP12C	CF48CBCA1	0.98	0.95	1.04
YP9C100C16MP12C	CM48CBCA1	0.98	0.95	1.04
YP9C100C16MP12C	CM48DBCA1	0.98	0.95	1.02
YP9C100C16MP13C	CF/CM/CU48C	0.98	0.95	1.04
YP9C100C16MP13C	CF/CM/CU48D	0.98	0.95	1.02
YP9C100C16MP13C	CF/CM/CU60C	0.99	0.96	1.05
YP9C100C16MP13C	CF48CBCA1	0.98	0.95	1.04
YP9C100C16MP13C	CM48CBCA1	0.98	0.95	1.04
YP9C100C16MP13C	CM48DBCA1	0.98	0.95	1.02
YP9C100C20MP12C	CF/CM/CU48C	0.97	0.91	1.03
YP9C100C20MP12C	CF/CM/CU48D	0.97	0.92	1.03
YP9C100C20MP12C	CF/CM/CU60C	0.99	0.95	1.05
YP9C100C20MP12C	CF48CBCA1	0.97	0.91	1.03
YP9C100C20MP12C	CM48CBCA1	0.97	0.91	1.03
YP9C100C20MP12C	CM48DBCA1	0.97	0.92	1.03
YP9C100C20MP13C	CF/CM/CU48C	0.97	0.91	1.03
YP9C100C20MP13C	CF/CM/CU48D	0.97	0.92	1.03
YP9C100C20MP13C	CF/CM/CU60C	0.99	0.95	1.05
YP9C100C20MP13C	CF48CBCA1	0.97	0.91	1.03
YP9C100C20MP13C	CM48CBCA1	0.97	0.91	1.03
YP9C100C20MP13C	CM48DBCA1	0.97	0.92	1.03
YP9C120D20MP12C	CF/CM/CU60D	0.99	0.97	1.03
YP9C120D20MP13C	CF/CM/CU60D	0.99	0.97	1.03
YPLC080C16MP12C	CF/CM/CU48C	0.97	0.92	1.03
YPLC080C16MP12C	CF/CM/CU48D	0.97	0.92	1.03
YPLC080C16MP12C	CF/CM/CU60C	0.99	0.94	1.03
YPLC080C16MP12C	CF48CBCA1	0.97	0.92	1.03
YPLC080C16MP12C	CM48CBCA1	0.97	0.92	1.03
YPLC080C16MP12C	CM48DBCA1	0.97	0.92	1.03
YPLC080C16MP13C	CF/CM/CU48C	0.97	0.92	1.03

FURNACE MULTIPLIERS - 4 TON (Continued)

Furnaces	Coil	T.C.	S.C.	KW
YPLC080C16MP13C	CF/CM/CU48D	0.97	0.92	1.03
YPLC080C16MP13C	CF/CM/CU60C	0.99	0.94	1.03
YPLC080C16MP13C	CF48CBCA1	0.97	0.92	1.03
YPLC080C16MP13C	CM48CBCA1	0.97	0.92	1.03
YPLC080C16MP13C	CM48DBCA1	0.97	0.92	1.03
YPLC100C16MP12C	CF/CM/CU48C	0.97	0.92	1.03
YPLC100C16MP12C	CF/CM/CU48D	0.97	0.92	1.03
YPLC100C16MP12C	CF/CM/CU60C	0.99	0.94	1.03
YPLC100C16MP12C	CF48CBCA1	0.97	0.92	1.03
YPLC100C16MP12C	CM48CBCA1	0.97	0.92	1.03
YPLC100C16MP12C	CM48DBCA1	0.97	0.92	1.03
YPLC100C16MP13C	CF/CM/CU48C	0.97	0.92	1.03
YPLC100C16MP13C	CF/CM/CU48D	0.97	0.92	1.03
YPLC100C16MP13C	CF/CM/CU60C	0.99	0.94	1.03
YPLC100C16MP13C	CF48CBCA1	0.97	0.92	1.03
YPLC100C16MP13C	CM48CBCA1	0.97	0.92	1.03
YPLC100C16MP13C	CM48DBCA1	0.97	0.92	1.03
YPLC100C20MP12C	CF/CM/CU48C	0.97	0.92	1.03
YPLC100C20MP12C	CF/CM/CU60C	0.99	0.96	1.03
YPLC100C20MP12C	CF/CM/CU60D	0.99	0.96	1.03
YPLC100C20MP12C	CF48CBCA1	0.97	0.92	1.03
YPLC100C20MP12C	CM48CBCA1	0.97	0.92	1.03
YPLC100C20MP13C	CF/CM/CU48C	0.97	0.92	1.03
YPLC100C20MP13C	CF/CM/CU60C	0.99	0.96	1.03
YPLC100C20MP13C	CF/CM/CU60D	0.99	0.96	1.03
YPLC100C20MP13C	CF48CBCA1	0.97	0.92	1.03
YPLC100C20MP13C	CM48CBCA1	0.97	0.92	1.03
YPLC120C20MP12C	CF/CM/CU48C	0.97	0.92	1.03
YPLC120C20MP12C	CF/CM/CU60C	0.99	0.96	1.03
YPLC120C20MP12C	CF/CM/CU60D	0.99	0.96	1.03
YPLC120C20MP12C	CF48CBCA1	0.97	0.92	1.03
YPLC120C20MP12C	CM48CBCA1	0.97	0.92	1.03
YPLC120C20MP13C	CF/CM/CU48C	0.97	0.92	1.03
YPLC120C20MP13C	CF/CM/CU60C	0.99	0.96	1.03
YPLC120C20MP13C	CF/CM/CU60D	0.99	0.96	1.03
YPLC120C20MP13C	CF48CBCA1	0.97	0.92	1.03
YPLC120C20MP13C	CM48CBCA1	0.97	0.92	1.03

HEATING PERFORMANCE DATA										
CONDENSING UNIT MODEL NO		YHE48B22S								
AIR TEMP. ENTERING OUTDOOR UNIT (°F)	AIR TEMP. ENTERING INDOOR COIL (°F)	ID CFM								
		1400			1600			1800		
		MBH	COP	KW	MBH	COP	KW	MBH	COP	KW
60	60	59.2	4.49	3.86	60.0	4.65	3.78	60.9	4.82	3.70
	70	58.2	3.93	4.34	59.0	4.08	4.23	59.7	4.25	4.12
	80	57.2	3.49	4.81	57.9	3.63	4.67	58.6	3.79	4.53
47	60	51.1	4.12	3.63	51.4	4.22	3.57	51.7	4.31	3.51
	70	50.1	3.59	4.08	50.4	3.68	4.01	50.8	3.79	3.93
	80	49.1	3.17	4.54	49.5	3.27	4.44	49.9	3.36	4.35
40	60	45.7	3.86	3.47	46.6	3.96	3.45	47.5	4.06	3.43
	70	45.5	3.37	3.95	46.2	3.47	3.90	46.9	3.57	3.85
	80	45.3	2.99	4.44	45.8	3.08	4.36	46.4	3.18	4.28
30	60	40.0	3.52	3.33	40.5	3.59	3.31	41.1	3.66	3.29
	70	39.5	3.11	3.73	39.9	3.17	3.69	40.2	3.23	3.65
	80	39.1	2.77	4.14	39.2	2.82	4.08	39.3	2.87	4.02
17	60	29.6	2.94	2.95	31.9	3.05	3.06	34.1	3.15	3.17
	70	30.9	2.59	3.50	32.3	2.67	3.54	33.7	2.76	3.58
	80	32.2	2.33	4.04	32.7	2.39	4.01	33.3	2.45	3.98
10	60	30.0	2.85	3.08	29.9	2.85	3.08	29.93	2.85	3.08
	70	29.2	2.52	3.40	29.2	2.53	3.38	29.1	2.53	3.37
	80	28.5	2.25	3.71	28.4	2.26	3.68	28.3	2.27	3.66
0	60	22.1	2.21	2.93	22.1	2.21	2.93	22.1	2.21	2.93
	70	21.6	1.95	3.24	21.5	1.96	3.22	21.5	1.96	3.21
	80	21.0	1.74	3.53	21.0	1.75	3.50	20.9	1.76	3.48
-10	60	16.2	1.69	2.80	16.2	1.69	2.80	16.2	1.69	2.80
	70	15.8	1.50	3.09	15.7	1.50	3.07	15.7	1.51	3.06
	80	15.4	1.34	3.37	15.3	1.34	3.34	15.3	1.35	3.32
-20	60	10.2	1.13	2.66	10.2	1.13	2.66	10.2	1.13	2.66
	70	10.0	1.00	2.94	10.0	1.00	2.92	10.0	1.00	2.91
	80	9.7	0.89	3.20	9.7	0.90	3.18	9.7	0.90	3.16

NOTE: ALL CAPACITIES INCLUDE INDOOR FAN HEAT. KW VALUES ARE FOR THE SYSTEM (OUTDOOR + INDOOR).

Yellow shaded cells are AHRI High Heating conditions.

Orange shaded cells are AHRI Low Heating conditions.

Multipliers for determining the performance with other indoor sections.

COIL MULTIPLIERS - 4 TON

Air Handler	Coil	MBH	COP	KW
-	CF/CM/CU60C	1.00	1.11	0.90
-	CF/CM/CU60D	1.00	1.10	0.91
AE48CBC21	-	1.00	0.98	1.02
AE48CX21	-	1.00	0.98	1.02
AE48DBC21	-	1.00	0.99	1.01
AE48DX21	-	1.00	0.99	1.01
AVC48CX21	-	1.00	0.97	1.03
AVC48DX21	-	1.00	0.98	1.02
AVC60CX21	-	1.00	0.97	1.03
ME14DN21	CF/CM48D	1.00	0.98	1.02
ME14DN21	CF/CM60D	1.01	0.97	1.04
ME14DN21	CM48DBCA1	1.00	0.98	1.02
ME16CN21	CF/CM48C	1.00	0.98	1.02

COIL MULTIPLIERS - 4 TON

Air Handler	Coil	MBH	COP	KW
ME16CN21	CF/CM60C	1.00	0.98	1.02
ME16CN21	CF48CBCA1	1.00	0.98	1.02
ME16CN21	CM48CBCA1	1.00	0.98	1.02
ME20DN21	CF/CM48D	1.00	0.98	1.02
ME20DN21	CF/CM60D	1.00	0.98	1.02
ME20DN21	CM48DBCA1	1.00	0.98	1.02
MVC16CN21	CF/CM48C	1.00	0.98	1.02
MVC16CN21	CF48CBCA1	1.00	0.98	1.02
MVC16CN21	CM48CBCA1	1.00	0.98	1.02
MVC20DN21	CF/CM48D	1.00	0.99	1.01
MVC20DN21	CF/CM60D	1.00	0.99	1.01
MVC20DN21	CM48DBCA1	1.00	0.99	1.01

FURNACE MULTIPLIERS - 4 TON (Continued)

Furnaces	Coil	MBH	COP	KW
TM8X080C16MP11	CM48DBCA1	1.01	0.97	1.04
TM8X100C16MP11	CF/CM/CU48C	1.01	0.97	1.04
TM8X100C16MP11	CF/CM/CU48D	1.01	0.97	1.04
TM8X100C16MP11	CF/CM/CU60C	1.01	0.97	1.04
TM8X100C16MP11	CF/CM/CU60D	1.01	0.97	1.04
TM8X100C16MP11	CF48CBCA1	1.01	0.97	1.04
TM8X100C16MP11	CM48CBCA1	1.01	0.97	1.04
TM8X100C16MP11	CM48DBCA1	1.01	0.97	1.04
TM8X100C20MP11	CF/CM/CU48C	1.01	0.97	1.04
TM8X100C20MP11	CF/CM/CU48D	1.01	0.97	1.04
TM8X100C20MP11	CF/CM/CU60C	1.00	0.97	1.03
TM8X100C20MP11	CF/CM/CU60D	1.00	0.97	1.03
TM8X100C20MP11	CF48CBCA1	1.01	0.97	1.04
TM8X100C20MP11	CM48CBCA1	1.01	0.97	1.04
TM8X100C20MP11	CM48DBCA1	1.01	0.97	1.04
TM8X120C20MP11	CF/CM/CU48C	1.01	0.97	1.04
TM8X120C20MP11	CF/CM/CU48D	1.01	0.97	1.04
TM8X120C20MP11	CF/CM/CU60C	1.00	0.97	1.03
TM8X120C20MP11	CF/CM/CU60D	1.00	0.97	1.03
TM8X120C20MP11	CF48CBCA1	1.01	0.97	1.04
TM8X120C20MP11	CM48CBCA1	1.01	0.97	1.04
TM8X120C20MP11	CM48DBCA1	1.01	0.97	1.04
TM8Y080C16MP11	CF/CM/CU48C	1.01	0.97	1.04
TM8Y080C16MP11	CF/CM/CU48D	1.01	0.97	1.04
TM8Y080C16MP11	CF/CM/CU60C	1.01	0.97	1.04
TM8Y080C16MP11	CF/CM/CU60D	1.01	0.97	1.04
TM8Y080C16MP11	CF48CBCA1	1.01	0.97	1.04
TM8Y080C16MP11	CM48CBCA1	1.01	0.97	1.04
TM8Y080C16MP11	CM48DBCA1	1.01	0.97	1.04
TM8Y100C16MP11	CF/CM/CU48C	1.01	0.97	1.04
TM8Y100C16MP11	CF/CM/CU48D	1.01	0.97	1.04
TM8Y100C16MP11	CF/CM/CU60C	1.01	0.97	1.04
TM8Y100C16MP11	CF/CM/CU60D	1.01	0.97	1.04
TM8Y100C16MP11	CF48CBCA1	1.01	0.97	1.04
TM8Y100C16MP11	CM48CBCA1	1.01	0.97	1.04
TM8Y100C16MP11	CM48DBCA1	1.01	0.97	1.04
TM8Y100C20MP11	CF/CM/CU48C	1.01	0.97	1.04
TM8Y100C20MP11	CF/CM/CU48D	1.01	0.97	1.04
TM8Y100C20MP11	CF/CM/CU60C	1.00	0.97	1.03
TM8Y100C20MP11	CF/CM/CU60D	1.00	0.97	1.03
TM8Y100C20MP11	CF48CBCA1	1.01	0.97	1.04
TM8Y100C20MP11	CM48CBCA1	1.01	0.97	1.04
TM8Y100C20MP11	CM48DBCA1	1.01	0.97	1.04
TM8Y120C20MP11	CF/CM/CU48C	1.01	0.97	1.04
TM8Y120C20MP11	CF/CM/CU48D	1.01	0.97	1.04
TM8Y120C20MP11	CF/CM/CU60C	1.00	0.97	1.03
TM8Y120C20MP11	CF/CM/CU60D	1.00	0.97	1.03
TM8Y120C20MP11	CF48CBCA1	1.01	0.97	1.04
TM8Y120C20MP11	CM48CBCA1	1.01	0.97	1.04
TM8Y120C20MP11	CM48DBCA1	1.01	0.97	1.04
TM9E080C20MP12	CF/CM/CU48C	1.01	0.96	1.06
TM9E080C20MP12	CF/CM/CU48D	1.01	0.96	1.05
TM9E080C20MP12	CF/CM/CU60C	1.01	0.97	1.04
TM9E080C20MP12	CF/CM/CU60D	1.01	0.97	1.04
TM9E080C20MP12	CF48CBCA1	1.01	0.96	1.06

FURNACE MULTIPLIERS - 4 TON (Continued)

Furnaces	Coil	MBH	COP	KW
TM9E080C20MP12	CM48CBCA1	1.01	0.96	1.06
TM9E080C20MP12	CM48DBCA1	1.01	0.96	1.05
TM9E100C16MP11	CF/CM/CU48C	1.00	0.95	1.05
TM9E100C16MP11	CF/CM/CU60C	1.00	0.95	1.05
TM9E100C16MP11	CF/CM/CU60D	1.00	0.95	1.05
TM9E100C16MP11	CF48CBCA1	1.00	0.95	1.05
TM9E100C16MP11	CM48CBCA1	1.00	0.95	1.05
TM9E100C20MP11	CF/CM/CU48C	1.01	0.97	1.04
TM9E100C20MP11	CF/CM/CU48D	1.01	0.97	1.04
TM9E100C20MP11	CF/CM/CU60C	1.00	0.97	1.03
TM9E100C20MP11	CF/CM/CU60D	1.00	0.97	1.03
TM9E100C20MP11	CF48CBCA1	1.01	0.97	1.04
TM9E100C20MP11	CM48CBCA1	1.01	0.97	1.04
TM9E100C20MP11	CM48DBCA1	1.01	0.97	1.04
TM9E100C20MP12	CF/CM/CU48C	1.01	0.96	1.06
TM9E100C20MP12	CF/CM/CU48D	1.01	0.96	1.05
TM9E100C20MP12	CF/CM/CU60C	1.01	0.97	1.04
TM9E100C20MP12	CF/CM/CU60D	1.01	0.97	1.04
TM9E100C20MP12	CF48CBCA1	1.01	0.96	1.06
TM9E100C20MP12	CM48CBCA1	1.01	0.96	1.06
TM9E100C20MP12	CM48DBCA1	1.01	0.96	1.05
TM9E120D20MP11	CF/CM/CU48D	1.01	0.97	1.04
TM9E120D20MP11	CF/CM/CU60D	1.00	0.97	1.03
TM9E120D20MP11	CM48DBCA1	1.01	0.97	1.04
TM9E120D20MP12	CF/CM/CU48D	1.01	0.96	1.06
TM9E120D20MP12	CF/CM/CU60D	1.01	0.97	1.04
TM9E120D20MP12	CM48DBCA1	1.01	0.96	1.06
TM9V080C16MP11C	CF/CM/CU48C	1.01	0.96	1.05
TM9V080C16MP11C	CF/CM/CU48D	1.00	0.98	1.02
TM9V080C16MP11C	CF/CM/CU60C	1.01	0.96	1.06
TM9V080C16MP11C	CF48CBCA1	1.01	0.96	1.05
TM9V100C16MP11C	CF/CM/CU48C	1.01	0.96	1.05
TM9V100C16MP11C	CF/CM/CU48D	1.00	0.98	1.02
TM9V100C16MP11C	CF/CM/CU60C	1.01	0.96	1.06
TM9V100C16MP11C	CF48CBCA1	1.01	0.96	1.05
TM9V100C16MP11C	CM48CBCA1	1.01	0.96	1.05
TM9V100C16MP11C	CM48DBCA1	1.00	0.98	1.02
TM9V100C16MP12C	CF/CM/CU48C	1.01	0.96	1.05
TM9V100C16MP12C	CF/CM/CU48D	1.00	0.98	1.02
TM9V100C16MP12C	CF/CM/CU60C	1.01	0.96	1.06
TM9V100C16MP12C	CF48CBCA1	1.01	0.96	1.05
TM9V100C16MP12C	CM48CBCA1	1.01	0.96	1.05
TM9V100C16MP12C	CM48DBCA1	1.00	0.98	1.02
TM9V100C20MP11C	CF/CM/CU48C	1.00	0.95	1.06
TM9V100C20MP11C	CF/CM/CU48D	1.00	0.96	1.05
TM9V100C20MP11C	CF/CM/CU60C	1.01	0.96	1.06
TM9V100C20MP11C	CF48CBCA1	1.00	0.95	1.06
TM9V100C20MP11C	CM48CBCA1	1.00	0.95	1.06
TM9V100C20MP11C	CM48DBCA1	1.00	0.96	1.05
TM9V100C20MP12C	CF/CM/CU48C	1.00	0.95	1.06
TM9V100C20MP12C	CF/CM/CU48D	1.00	0.96	1.05
TM9V100C20MP12C	CF/CM/CU60C	1.01	0.96	1.06
TM9V100C20MP12C	CF48CBCA1	1.00	0.95	1.06
TM9V100C20MP12C	CM48CBCA1	1.00	0.95	1.06
TM9V100C20MP12C	CM48DBCA1	1.00	0.96	1.05

FURNACE MULTIPLIERS - 4 TON (Continued)

Furnaces	Coil	MBH	COP	KW
TMLX100C20MP11	CF/CM/CU60D	1.00	0.97	1.03
TMLX100C20MP11	CF48CBCA1	1.01	0.97	1.04
TMLX100C20MP11	CM48CBCA1	1.01	0.97	1.04
TMLX100C20MP11	CM48DBCA1	1.01	0.97	1.04
TMLX120C20MP11	CF/CM/CU48C	1.01	0.97	1.04
TMLX120C20MP11	CF/CM/CU48D	1.01	0.97	1.04
TMLX120C20MP11	CF/CM/CU60C	1.00	0.97	1.03
TMLX120C20MP11	CF/CM/CU60D	1.00	0.97	1.03
TMLX120C20MP11	CF48CBCA1	1.01	0.97	1.04
TMLX120C20MP11	CM48CBCA1	1.01	0.97	1.04
TMLX120C20MP11	CM48DBCA1	1.01	0.97	1.04
TP9C080C16MP12C	CF/CM/CU48C	1.01	0.96	1.05
TP9C080C16MP12C	CF/CM/CU48D	1.00	0.98	1.02
TP9C080C16MP12C	CF/CM/CU60C	1.01	0.96	1.06
TP9C080C16MP12C	CF48CBCA1	1.01	0.96	1.05
TP9C100C16MP12C	CF/CM/CU48C	1.01	0.96	1.05
TP9C100C16MP12C	CF/CM/CU48D	1.00	0.98	1.02
TP9C100C16MP12C	CF/CM/CU60C	1.01	0.96	1.06
TP9C100C16MP12C	CF48CBCA1	1.01	0.96	1.05
TP9C100C16MP12C	CM48CBCA1	1.01	0.96	1.05
TP9C100C16MP12C	CM48DBCA1	1.00	0.98	1.02
TP9C100C16MP13C	CF/CM/CU48C	1.01	0.96	1.05
TP9C100C16MP13C	CF/CM/CU48D	1.00	0.98	1.02
TP9C100C16MP13C	CF/CM/CU60C	1.01	0.96	1.06
TP9C100C16MP13C	CF48CBCA1	1.01	0.96	1.05
TP9C100C16MP13C	CM48CBCA1	1.01	0.96	1.05
TP9C100C16MP13C	CM48DBCA1	1.00	0.98	1.02
TP9C100C20MP12C	CF/CM/CU48C	1.00	0.95	1.06
TP9C100C20MP12C	CF/CM/CU48D	1.00	0.96	1.05
TP9C100C20MP12C	CF/CM/CU60C	1.01	0.96	1.06
TP9C100C20MP12C	CF48CBCA1	1.00	0.95	1.06
TP9C100C20MP12C	CM48CBCA1	1.00	0.95	1.06
TP9C100C20MP12C	CM48DBCA1	1.00	0.96	1.05
TP9C100C20MP13C	CF/CM/CU48C	1.00	0.95	1.06
TP9C100C20MP13C	CF/CM/CU48D	1.00	0.96	1.05
TP9C100C20MP13C	CF/CM/CU60C	1.01	0.96	1.06
TP9C100C20MP13C	CF48CBCA1	1.00	0.95	1.06
TP9C100C20MP13C	CM48CBCA1	1.00	0.95	1.06
TP9C100C20MP13C	CM48DBCA1	1.00	0.96	1.05
TP9C120D20MP12C	CF/CM/CU60D	1.00	0.97	1.03
TP9C120D20MP13C	CF/CM/CU60D	1.00	0.97	1.03
TPLC080C16MP12C	CF/CM/CU48C	1.00	0.96	1.05
TPLC080C16MP12C	CF/CM/CU48D	1.00	0.96	1.05
TPLC080C16MP12C	CF/CM/CU60C	1.00	0.96	1.05
TPLC080C16MP12C	CF48CBCA1	1.00	0.96	1.05
TPLC080C16MP12C	CM48CBCA1	1.00	0.96	1.05
TPLC080C16MP12C	CM48DBCA1	1.00	0.96	1.05
TPLC080C16MP13C	CF/CM/CU48C	1.00	0.96	1.05
TPLC080C16MP13C	CF/CM/CU48D	1.00	0.96	1.05
TPLC080C16MP13C	CF/CM/CU60C	1.00	0.96	1.05
TPLC080C16MP13C	CF48CBCA1	1.00	0.96	1.05
TPLC080C16MP13C	CM48CBCA1	1.00	0.96	1.05
TPLC080C16MP13C	CM48DBCA1	1.00	0.96	1.05
TPLC100C16MP12C	CF/CM/CU48C	1.00	0.96	1.05
TPLC100C16MP12C	CF/CM/CU48D	1.00	0.96	1.05

FURNACE MULTIPLIERS - 4 TON (Continued)

Furnaces	Coil	MBH	COP	KW
TPLC100C16MP12C	CF/CM/CU60C	1.00	0.96	1.05
TPLC100C16MP12C	CF48CBCA1	1.00	0.96	1.05
TPLC100C16MP12C	CM48CBCA1	1.00	0.96	1.05
TPLC100C16MP12C	CM48DBCA1	1.00	0.96	1.05
TPLC100C16MP13C	CF/CM/CU48C	1.00	0.96	1.05
TPLC100C16MP13C	CF/CM/CU48D	1.00	0.96	1.05
TPLC100C16MP13C	CF/CM/CU60C	1.00	0.96	1.05
TPLC100C16MP13C	CF48CBCA1	1.00	0.96	1.05
TPLC100C16MP13C	CM48CBCA1	1.00	0.96	1.05
TPLC100C16MP13C	CM48DBCA1	1.00	0.96	1.05
TPLC100C20MP12C	CF/CM/CU48C	1.00	0.96	1.05
TPLC100C20MP12C	CF/CM/CU60C	1.01	0.97	1.04
TPLC100C20MP12C	CF/CM/CU60D	1.00	0.97	1.03
TPLC100C20MP12C	CF48CBCA1	1.00	0.96	1.05
TPLC100C20MP12C	CM48CBCA1	1.00	0.96	1.05
TPLC100C20MP13C	CF/CM/CU48C	1.00	0.96	1.05
TPLC100C20MP13C	CF/CM/CU60C	1.01	0.97	1.04
TPLC100C20MP13C	CF/CM/CU60D	1.00	0.97	1.03
TPLC100C20MP13C	CF48CBCA1	1.00	0.96	1.05
TPLC100C20MP13C	CM48CBCA1	1.00	0.96	1.05
TPLC100C20MP13C	CM48DBCA1	1.00	0.96	1.05
TPLC120C20MP12C	CF/CM/CU48C	1.00	0.96	1.05
TPLC120C20MP12C	CF/CM/CU60C	1.01	0.97	1.04
TPLC120C20MP12C	CF/CM/CU60D	1.00	0.97	1.03
TPLC120C20MP12C	CF48CBCA1	1.00	0.96	1.05
TPLC120C20MP12C	CM48CBCA1	1.00	0.96	1.05
TPLC120C20MP13C	CF/CM/CU48C	1.00	0.96	1.05
TPLC120C20MP13C	CF/CM/CU60C	1.01	0.97	1.04
TPLC120C20MP13C	CF/CM/CU60D	1.00	0.97	1.03
TPLC120C20MP13C	CF48CBCA1	1.00	0.96	1.05
TPLC120C20MP13C	CM48CBCA1	1.00	0.96	1.05
TPLC120C20MP13C	CM48DBCA1	1.00	0.96	1.05
YP9C080C16MP12C	CF/CM/CU48C	1.01	0.96	1.05
YP9C080C16MP12C	CF/CM/CU48D	1.00	0.98	1.02
YP9C080C16MP12C	CF/CM/CU60C	1.01	0.96	1.06
YP9C080C16MP12C	CF48CBCA1	1.01	0.96	1.05
YP9C100C16MP12C	CF/CM/CU48C	1.01	0.96	1.05
YP9C100C16MP12C	CF/CM/CU48D	1.00	0.98	1.02
YP9C100C16MP12C	CF/CM/CU60C	1.01	0.96	1.06
YP9C100C16MP12C	CF48CBCA1	1.01	0.96	1.05
YP9C100C16MP12C	CM48CBCA1	1.01	0.96	1.05
YP9C100C16MP12C	CM48DBCA1	1.00	0.98	1.02
YP9C100C16MP13C	CF/CM/CU48C	1.01	0.96	1.05
YP9C100C16MP13C	CF/CM/CU48D	1.00	0.98	1.02
YP9C100C16MP13C	CF/CM/CU60C	1.01	0.96	1.06
YP9C100C16MP13C	CF48CBCA1	1.01	0.96	1.05
YP9C100C16MP13C	CM48CBCA1	1.01	0.96	1.05
YP9C100C16MP13C	CM48DBCA1	1.00	0.98	1.02
YP9C100C20MP12C	CF/CM/CU48C	1.00	0.95	1.06
YP9C100C20MP12C	CF/CM/CU48D	1.00	0.96	1.05
YP9C100C20MP12C	CF/CM/CU60C	1.01	0.96	1.06
YP9C100C20MP12C	CF48CBCA1	1.00	0.95	1.06
YP9C100C20MP12C	CM48CBCA1	1.00	0.95	1.06
YP9C100C20MP12C	CM48DBCA1	1.00	0.96	1.05
YP9C100C20MP13C	CF/CM/CU48C	1.00	0.95	1.06
YP9C100C20MP13C	CF/CM/CU48D	1.00	0.96	1.05
YP9C100C20MP13C	CF/CM/CU60C	1.01	0.96	1.06
YP9C100C20MP13C	CF48CBCA1	1.00	0.95	1.06
YP9C100C20MP13C	CM48CBCA1	1.00	0.95	1.06
YP9C100C20MP13C	CM48DBCA1	1.00	0.96	1.05
YP9C100C20MP13C	CF/CM/CU48C	1.00	0.95	1.06
YP9C100C20MP13C	CF/CM/CU48D	1.00	0.96	1.05
YP9C100C20MP13C	CF/CM/CU60C	1.01	0.96	1.06

FURNACE MULTIPLIERS - 4 TON (Continued)

Furnaces	Coil	MBH	COP	KW
YP9C100C20MP13C	CF48CBCA1	1.00	0.95	1.06
YP9C100C20MP13C	CM48CBCA1	1.00	0.95	1.06
YP9C100C20MP13C	CM48DBCA1	1.00	0.96	1.05
YP9C120D20MP12C	CF/CM/CU60D	1.00	0.97	1.03
YP9C120D20MP13C	CF/CM/CU60D	1.00	0.97	1.03
YPLC080C16MP12C	CF/CM/CU48C	1.00	0.96	1.05
YPLC080C16MP12C	CF/CM/CU48D	1.00	0.96	1.05
YPLC080C16MP12C	CF/CM/CU60C	1.00	0.96	1.05
YPLC080C16MP12C	CF48CBCA1	1.00	0.96	1.05
YPLC080C16MP12C	CM48CBCA1	1.00	0.96	1.05
YPLC080C16MP12C	CM48DBCA1	1.00	0.96	1.05
YPLC080C16MP13C	CF/CM/CU48C	1.00	0.96	1.05
YPLC080C16MP13C	CF/CM/CU48D	1.00	0.96	1.05
YPLC080C16MP13C	CF/CM/CU60C	1.00	0.96	1.05
YPLC080C16MP13C	CF48CBCA1	1.00	0.96	1.05
YPLC080C16MP13C	CM48CBCA1	1.00	0.96	1.05
YPLC080C16MP13C	CM48DBCA1	1.00	0.96	1.05
YPLC100C16MP12C	CF/CM/CU48C	1.00	0.96	1.05
YPLC100C16MP12C	CF/CM/CU48D	1.00	0.96	1.05
YPLC100C16MP12C	CF/CM/CU60C	1.00	0.96	1.05
YPLC100C16MP12C	CF48CBCA1	1.00	0.96	1.05
YPLC100C16MP12C	CM48CBCA1	1.00	0.96	1.05
YPLC100C16MP12C	CM48DBCA1	1.00	0.96	1.05
YPLC100C16MP13C	CF/CM/CU48C	1.00	0.96	1.05
YPLC100C16MP13C	CF/CM/CU48D	1.00	0.96	1.05
YPLC100C16MP13C	CF/CM/CU60C	1.00	0.96	1.05
YPLC100C16MP13C	CF48CBCA1	1.00	0.96	1.05

FURNACE MULTIPLIERS - 4 TON (Continued)

Furnaces	Coil	MBH	COP	KW
YPLC100C16MP13C	CF48CBCA1	1.00	0.96	1.05
YPLC100C16MP13C	CM48CBCA1	1.00	0.96	1.05
YPLC100C16MP13C	CM48DBCA1	1.00	0.96	1.05
YPLC100C20MP12C	CF/CM/CU48C	1.00	0.96	1.05
YPLC100C20MP12C	CF/CM/CU60C	1.01	0.97	1.04
YPLC100C20MP12C	CF/CM/CU60D	1.00	0.97	1.03
YPLC100C20MP12C	CF48CBCA1	1.00	0.96	1.05
YPLC100C20MP12C	CM48CBCA1	1.00	0.96	1.05
YPLC100C20MP13C	CF/CM/CU48C	1.00	0.96	1.05
YPLC100C20MP13C	CF/CM/CU60C	1.01	0.97	1.04
YPLC100C20MP13C	CF/CM/CU60D	1.00	0.97	1.03
YPLC100C20MP13C	CF48CBCA1	1.00	0.96	1.05
YPLC100C20MP13C	CM48CBCA1	1.00	0.96	1.05
YPLC100C20MP13C	CM48DBCA1	1.00	0.96	1.05
YPLC120C20MP12C	CF/CM/CU48C	1.00	0.96	1.05
YPLC120C20MP12C	CF/CM/CU60C	1.01	0.97	1.04
YPLC120C20MP12C	CF/CM/CU60D	1.00	0.97	1.03
YPLC120C20MP12C	CF48CBCA1	1.00	0.96	1.05
YPLC120C20MP12C	CM48CBCA1	1.00	0.96	1.05
YPLC120C20MP13C	CF/CM/CU48C	1.00	0.96	1.05
YPLC120C20MP13C	CF/CM/CU60C	1.01	0.97	1.04
YPLC120C20MP13C	CF/CM/CU60D	1.00	0.97	1.03
YPLC120C20MP13C	CF48CBCA1	1.00	0.96	1.05
YPLC120C20MP13C	CM48CBCA1	1.00	0.96	1.05

PERFORMANCE DATA - 5 TON

CONDENSER-ONLY DATA (OUTDOOR UNIT)																
MODEL	SATURATED SUCTION @ COMPRESSOR		Outdoor Ambient Temperature													
			65 °F		75 °F		85 °F		95 °F		105 °F		115 °F		125 °F	
	T (°F)	P (PSIG)	MBH	KW	MBH	KW	MBH	KW	MBH	KW	MBH	KW	MBH	KW	MBH	KW
YHE60B22S	35	107	54.6	3.17	52.1	3.55	49.6	3.93	47.1	4.32	44.6	4.70	42.2	5.08	39.7	5.46
	40	119	61.4	3.67	58.0	4.03	54.7	4.39	51.3	4.75	47.9	5.10	44.6	5.46	41.2	5.82
	45	130	68.2	4.18	64.0	4.51	59.7	4.84	55.5	5.18	51.2	5.51	47.0	5.84	42.7	6.17
	50	143	75.0	4.69	69.9	4.99	64.7	5.30	59.6	5.60	54.5	5.91	49.4	6.22	44.2	6.52
	55	156	81.8	5.19	75.8	5.47	69.8	5.75	63.8	6.03	57.8	6.31	51.8	6.60	45.8	6.88

Notes:

- For Outdoor Unit (Condenser) performance only. Data does not include the effects of air handler power or heat.
- Performance based on 15°F subcooling and 15°F superheat at the Outdoor Unit base valves.
 - Increase capacity by 1% for each 2°F increase in subcooling.
 - Decrease capacity by 1% for each 2°F decrease in subcooling.
- Maximum recommended condensing temperature is 140°F.

COOLING PERFORMANCE DATA																	
AIR CONDITIONER MODEL NO.		YHE60B22S															
AIR TEMP. ENTERING OUTDOOR UNIT (°F)	IDCFM	1600					1850					2100					
	ID DB (°F)	80	80	75	80	80	80	80	75	80	80	80	80	80	75	80	80
	ID WB (°F)	57	62	62	67	72	57	62	62	67	72	57	62	62	67	72	
65	T.C.	54.3	57.6	57.5	61.2	64.3	55.4	57.6	57.5	60.7	63.3	56.4	57.7	57.5	60.1	62.3	
	S.C.	53.2	47.6	40.9	39.0	30.1	56.0	50.7	43.5	40.8	30.9	58.9	53.8	46.1	42.5	31.7	
	KW	3.45	3.49	3.47	3.51	3.50	3.55	3.59	3.57	3.60	3.59	3.65	3.69	3.67	3.69	3.68	
75	T.C.	52.8	55.8	55.7	60.6	65.5	54.2	56.0	55.9	60.5	64.9	55.7	56.2	56.1	60.4	64.4	
	S.C.	51.8	47.4	40.4	39.6	31.0	54.5	51.1	43.3	42.1	32.3	57.1	54.7	46.2	44.5	33.7	
	KW	3.74	3.81	3.77	3.82	3.81	3.84	3.91	3.87	3.92	3.91	3.94	4.01	3.97	4.02	4.01	
85	T.C.	50.6	53.1	53.1	57.7	63.1	52.1	53.3	53.1	57.6	62.7	53.5	53.5	53.2	57.5	62.3	
	S.C.	49.8	46.3	39.1	38.6	30.2	52.3	49.9	41.9	41.2	31.7	54.7	53.6	44.7	43.8	33.1	
	KW	4.17	4.22	4.19	4.24	4.23	4.27	4.32	4.29	4.33	4.33	4.37	4.42	4.39	4.42	4.43	
95	T.C.	48.5	50.5	50.4	54.8	60.7	49.9	50.7	50.3	54.7	60.5	51.2	50.8	50.2	54.6	60.3	
	S.C.	47.7	45.1	37.8	37.6	29.5	50.1	48.8	40.5	40.3	31.0	52.4	52.5	43.1	43.0	32.6	
	KW	4.59	4.63	4.61	4.66	4.65	4.69	4.73	4.70	4.75	4.74	4.79	4.83	4.79	4.84	4.83	
105	T.C.	46.0	47.3	47.2	51.3	56.9	47.2	47.4	47.0	51.1	56.5	48.4	47.4	46.9	50.9	56.2	
	S.C.	45.3	43.6	36.5	36.3	28.2	47.4	47.0	39.2	38.9	29.7	49.5	50.4	41.8	41.6	31.3	
	KW	5.17	5.20	5.17	5.22	5.22	5.26	5.29	5.27	5.32	5.32	5.35	5.38	5.37	5.42	5.42	
115	T.C.	43.6	44.1	44.0	47.9	53.1	44.6	44.1	43.8	47.6	52.6	45.6	44.0	43.6	47.3	52.2	
	S.C.	42.9	42.0	35.2	34.9	26.9	44.8	45.2	37.8	37.6	28.4	46.7	48.3	40.5	40.2	30.0	
	KW	5.74	5.76	5.74	5.79	5.80	5.83	5.85	5.83	5.88	5.89	5.92	5.94	5.92	5.97	5.98	
125	T.C.	41.1	41.0	40.8	44.4	49.3	41.9	40.7	40.5	44.0	48.7	42.8	40.5	40.2	43.7	48.1	
	S.C.	40.4	40.5	33.9	33.6	25.5	42.1	43.3	36.5	36.2	27.1	43.8	46.2	39.1	38.8	28.7	
	KW	6.31	6.32	6.31	6.36	6.37	6.40	6.42	6.40	6.45	6.47	6.49	6.52	6.49	6.54	6.57	

NOTE: ALL CAPACITIES INCLUDE INDOOR FAN HEAT. KW VALUES ARE FOR THE SYSTEM (OUTDOOR + INDOOR).

Green shaded cells are ACCA (TVA) conditions.

Blue shaded cells are AHRI conditions.

Multipliers for determining the performance with other indoor sections.

NOTE: For dry bulb temperatures different than those listed (between 73-87 °F), sensible capacity increases by 1060 BTUH per 1000 CFM per degree above the listed temperature and decreases by 1060 BTUH per 1000 CFM per degree below the listed temperature.

COIL MULTIPLIERS - 5 TON

Air Handler	Coil	T.C.	S.C.	KW
AE60DBG21	–	1.00	1.00	1.00
AE60DX21	–	1.00	1.00	1.00
AVC60DX21	–	1.00	1.02	1.00
ME20DN21	CF/CM64D	0.99	0.98	0.99
MVC20DN21	CF/CM64D	1.00	1.00	1.00

FURNACE MULTIPLIERS - 5 TON

Furnaces	Coil	T.C.	S.C.	KW
TL8E100C20UH11	CF/CM64D	0.99	1.00	0.99
TM8E080C20MP11	CF/CM64D	0.99	0.99	0.99
TM8E100C20MP11	CF/CM64D	0.99	0.99	0.99
TM8E120C20MP11	CF/CM64D	0.99	0.99	0.99
TM8E130D20MP11	CF/CM64D	0.99	1.01	0.99
TM8V100C20MP11C	CF/CM64D	0.98	0.93	0.98
TM8V100C20MP12C	CF/CM64D	0.98	0.93	0.98
TM8V120C20MP11C	CF/CM64D	0.98	0.93	0.98
TM8V120C20MP12C	CF/CM64D	0.98	0.93	0.98
TM8X080C16MP11	CF/CM64D	0.97	0.93	0.97
TM8X100C16MP11	CF/CM64D	0.97	0.93	0.97
TM8X100C20MP11	CF/CM64D	0.98	0.94	0.98
TM8X120C20MP11	CF/CM64D	0.98	0.94	0.98
TM8X080C16MP11	CF/CM64D	0.97	0.93	0.97
TM8Y100C16MP11	CF/CM64D	0.97	0.93	0.97
TM8Y100C20MP11	CF/CM64D	0.98	0.94	0.98
TM8Y120C20MP11	CF/CM64D	0.98	0.94	0.98
TM9E080C20MP12	CF/CM64D	0.99	0.98	0.99
TM9E100C20MP11	CF/CM64D	0.97	0.93	0.97
TM9E100C20MP12	CF/CM64D	0.99	0.99	0.99
TM9E120D20MP11	CF/CM64D	0.98	0.93	0.98
TM9V120D20MP11C	CF/CM64D	0.98	0.96	0.98
TM9V120D20MP12C	CF/CM64D	0.98	0.96	0.98
TM9Y100C20MP11	CF/CM64D	0.97	0.93	0.97
TM9Y120D20MP11	CF/CM64D	0.98	0.93	0.98
TMLE080C20MP11	CF/CM64D	0.99	0.99	0.99

FURNACE MULTIPLIERS - 5 TON (Continued)

Furnaces	Coil	T.C.	S.C.	KW
TMLE100C20MP11	CF/CM64D	0.99	0.99	0.99
TMLE120C20MP11	CF/CM64D	0.99	0.99	0.99
TMLE130D20MP11	CF/CM64D	0.99	1.01	0.99
TMLV100C20MP11C	CF/CM64D	0.98	0.93	0.98
TMLV100C20MP12C	CF/CM64D	0.98	0.93	0.98
TMLV120C20MP11C	CF/CM64D	0.98	0.93	0.98
TMLV120C20MP12C	CF/CM64D	0.98	0.93	0.98
TMLX080C16MP11	CF/CM64D	0.97	0.93	0.97
TMLX100C16MP11	CF/CM64D	0.97	0.93	0.97
TMLX100C20MP11	CF/CM64D	0.98	0.94	0.98
TMLX120C20MP11	CF/CM64D	0.98	0.94	0.98
TP9C120D20MP12C	CF/CM64D	0.98	0.96	0.98
TP9C120D20MP13C	CF/CM64D	0.98	0.96	0.98
TPLC100C20MP12C	CF/CM64D	0.98	0.93	0.98
TPLC100C20MP13C	CF/CM64D	0.98	0.93	0.98
TPLC120C20MP12C	CF/CM64D	0.98	0.93	0.98
TPLC120C20MP13C	CF/CM64D	0.98	0.93	0.98
YP9C120D20MP12C	CF/CM64D	0.98	0.96	0.98
YP9C120D20MP13C	CF/CM64D	0.98	0.96	0.98
YPLC100C20MP12C	CF/CM64D	0.98	0.93	0.98
YPLC100C20MP13C	CF/CM64D	0.98	0.93	0.98
YPLC120C20MP12C	CF/CM64D	0.98	0.93	0.98
YPLC120C20MP13C	CF/CM64D	0.98	0.93	0.98

HEATING PERFORMANCE DATA										
CONDENSING UNIT MODEL NO		YHE60B22S								
AIR TEMP. ENTERING OUTDOOR UNIT (°F)	AIR TEMP. ENTERING INDOOR COIL (°F)	ID CFM								
		1600			1850			2100		
		MBH	COP	KW	MBH	COP	KW	MBH	COP	KW
60	60	70.3	4.89	4.21	71.2	5.14	4.06	72.2	5.39	3.91
	70	68.7	4.32	4.66	69.6	4.54	4.49	70.5	4.76	4.32
	80	67.1	3.85	5.11	68.0	4.06	4.91	68.8	4.26	4.71
47	60	60.5	4.46	3.97	61.3	4.66	3.86	62.2	4.85	3.75
	70	59.2	3.94	4.40	60.1	4.12	4.27	61.0	4.30	4.14
	80	57.9	3.52	4.82	58.8	3.68	4.68	59.8	3.85	4.54
40	60	55.1	4.19	3.85	55.8	4.34	3.76	56.5	4.50	3.67
	70	54.1	3.71	4.27	54.8	3.85	4.17	55.5	3.99	4.07
	80	53.1	3.32	4.69	53.9	3.45	4.58	54.6	3.57	4.47
30	60	48.0	3.79	3.71	48.2	3.88	3.64	48.4	3.97	3.57
	70	46.8	3.35	4.10	46.6	3.40	4.02	46.5	3.45	3.94
	80	45.6	2.98	4.49	45.1	3.01	4.39	44.5	3.04	4.29
17	60	40.2	3.33	3.54	40.8	3.39	3.52	41.3	3.46	3.50
	70	39.3	2.95	3.91	40.1	3.02	3.89	40.9	3.10	3.87
	80	38.5	2.64	4.27	39.5	2.72	4.26	40.5	2.79	4.25
10	60	35.9	3.06	3.44	36.3	3.10	3.43	36.74	3.15	3.42
	70	35.2	2.71	3.80	35.6	2.76	3.78	36.1	2.81	3.76
	80	34.4	2.42	4.16	34.9	2.48	4.13	35.4	2.53	4.10
0	60	29.2	2.57	3.33	29.5	2.61	3.32	29.9	2.64	3.31
	70	28.6	2.28	3.68	29.0	2.32	3.66	29.3	2.36	3.64
	80	28.0	2.04	4.03	28.4	2.08	4.00	28.8	2.13	3.97
-10	60	19.9	1.80	3.22	20.1	1.83	3.21	20.3	1.86	3.20
	70	19.4	1.60	3.56	19.7	1.63	3.54	19.9	1.66	3.52
	80	19.0	1.43	3.90	19.3	1.46	3.87	19.6	1.49	3.84
-20	60	13.1	1.24	3.10	13.2	1.26	3.09	13.4	1.27	3.08
	70	12.8	1.10	3.42	13.0	1.12	3.40	13.1	1.14	3.38
	80	12.5	0.98	3.74	12.7	1.00	3.72	12.9	1.02	3.69

NOTE: ALL CAPACITIES INCLUDE INDOOR FAN HEAT. KW VALUES ARE FOR THE SYSTEM (OUTDOOR + INDOOR).

Yellow shaded cells are AHRI High Heating conditions.

Orange shaded cells are AHRI Low Heating conditions.

Multipliers for determining the performance with other indoor sections.

COIL MULTIPLIERS - 5 TON

Air Handler	Coil	T.C.	S.C.	KW
AE60DBG21	–	1.00	1.00	1.00
AE60DX21	–	1.00	1.00	1.00
AVC60DX21	–	1.00	1.00	1.00
ME20DN21	CF/CM64D	1.00	1.00	1.00
MVC20DN21	CF/CM64D	1.00	1.01	0.99

FURNACE MULTIPLIERS - 5 TON

Furnaces	Coil	T.C.	S.C.	KW
TL8E100C20UH11	CF/CM64D	1.01	0.97	1.04
TM8E080C20MP11	CF/CM64D	1.00	0.96	1.04
TM8E100C20MP11	CF/CM64D	1.00	0.96	1.04
TM8E120C20MP11	CF/CM64D	1.00	0.96	1.04
TM8E130D20MP11	CF/CM64D	1.01	0.97	1.04
TM8V100C20MP11C	CF/CM64D	0.99	0.96	1.03
TM8V100C20MP12C	CF/CM64D	0.99	0.96	1.03
TM8V120C20MP11C	CF/CM64D	0.99	0.96	1.03
TM8V120C20MP12C	CF/CM64D	0.99	0.96	1.03
TM8X080C16MP11	CF/CM64D	0.99	0.95	1.04
TM8X100C16MP11	CF/CM64D	0.99	0.95	1.04
TM8X100C20MP11	CF/CM64D	0.99	0.97	1.02
TM8X120C20MP11	CF/CM64D	0.99	0.97	1.02
TM8Y080C16MP11	CF/CM64D	0.99	0.95	1.04
TM8Y100C16MP11	CF/CM64D	0.99	0.95	1.04
TM8Y100C20MP11	CF/CM64D	0.99	0.97	1.02
TM8Y120C20MP11	CF/CM64D	0.99	0.97	1.02
TM9E080C20MP12	CF/CM64D	1.00	0.95	1.05
TM9E100C20MP11	CF/CM64D	0.99	0.96	1.03
TM9E100C20MP12	CF/CM64D	1.00	0.96	1.04
TM9E120D20MP11	CF/CM64D	0.99	0.96	1.03
TM9V120D20MP11C	CF/CM64D	1.00	0.98	1.02
TM9V120D20MP12C	CF/CM64D	1.00	0.98	1.02
TM9Y100C20MP11	CF/CM64D	0.99	0.96	1.03
TM9Y120D20MP11	CF/CM64D	0.99	0.96	1.03
TMLE080C20MP11	CF/CM64D	1.00	0.96	1.04

FURNACE MULTIPLIERS - 5 TON (Continued)

Furnaces	Coil	T.C.	S.C.	KW
TMLE100C20MP11	CF/CM64D	1.00	0.96	1.04
TMLE120C20MP11	CF/CM64D	1.00	0.96	1.04
TMLE130D20MP11	CF/CM64D	1.01	0.97	1.04
TMLV100C20MP11C	CF/CM64D	0.99	0.96	1.03
TMLV100C20MP12C	CF/CM64D	0.99	0.96	1.03
TMLV120C20MP11C	CF/CM64D	0.99	0.96	1.03
TMLV120C20MP12C	CF/CM64D	0.99	0.96	1.03
TMLX080C16MP11	CF/CM64D	0.99	0.95	1.04
TMLX100C16MP11	CF/CM64D	0.99	0.95	1.04
TMLX100C20MP11	CF/CM64D	0.99	0.97	1.02
TMLX120C20MP11	CF/CM64D	0.99	0.97	1.02
TP9C120D20MP12C	CF/CM64D	1.00	0.98	1.02
TP9C120D20MP13C	CF/CM64D	1.00	0.98	1.02
TPLC100C20MP12C	CF/CM64D	0.99	0.96	1.03
TPLC100C20MP13C	CF/CM64D	0.99	0.96	1.03
TPLC120C20MP12C	CF/CM64D	0.99	0.96	1.03
TPLC120C20MP13C	CF/CM64D	0.99	0.96	1.03
YP9C120D20MP12C	CF/CM64D	1.00	0.98	1.02
YP9C120D20MP13C	CF/CM64D	1.00	0.98	1.02
YPLC100C20MP12C	CF/CM64D	0.99	0.96	1.03
YPLC100C20MP13C	CF/CM64D	0.99	0.96	1.03
YPLC120C20MP12C	CF/CM64D	0.99	0.96	1.03
YPLC120C20MP13C	CF/CM64D	0.99	0.96	1.03

NOTES